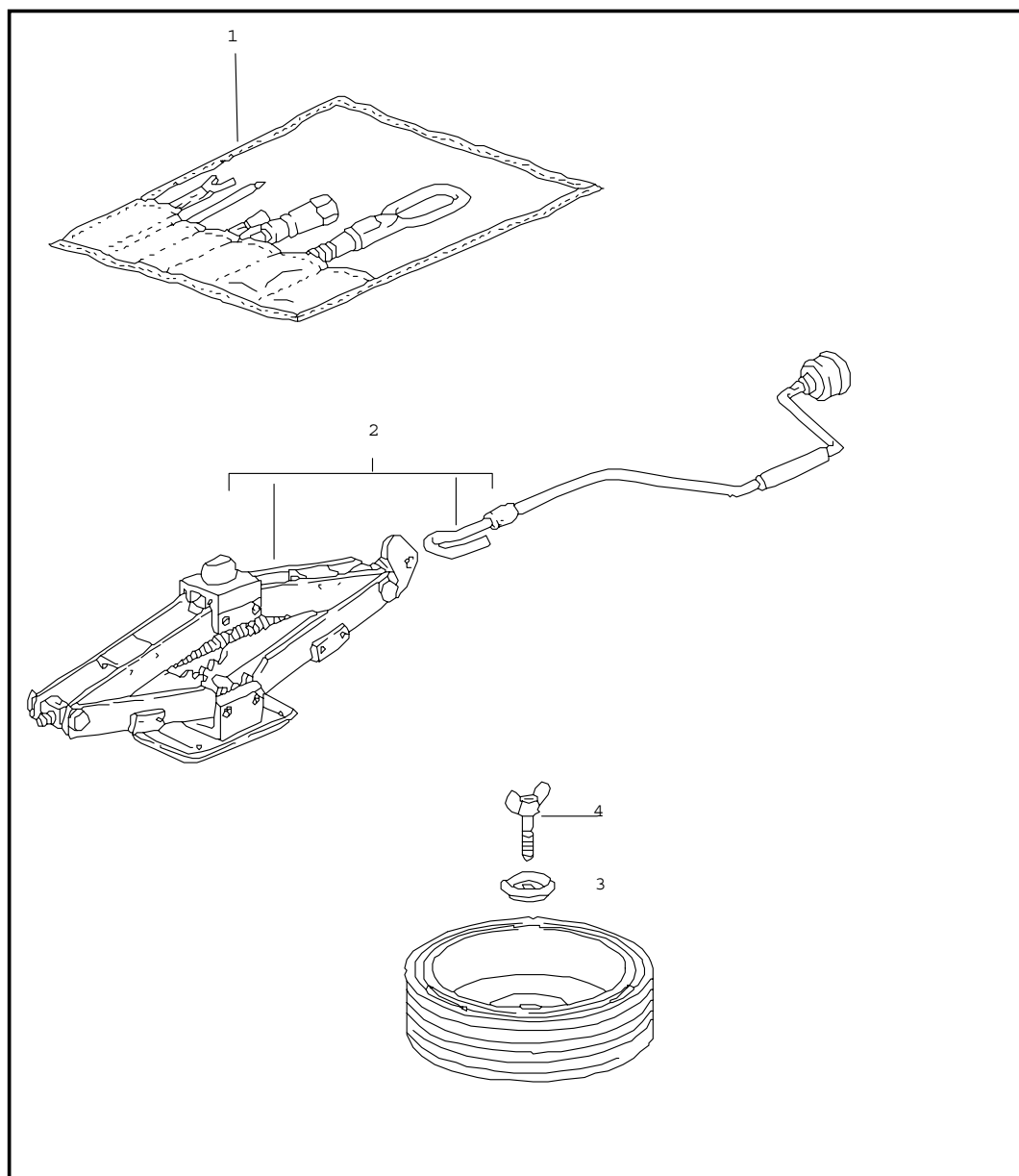


Model	Year	MG	SG	Illustration	Restrictions	Update	11:53	25.11.2005	PORSCHE	PET	PORSCHE
996t	05	0	01	1-00		194					

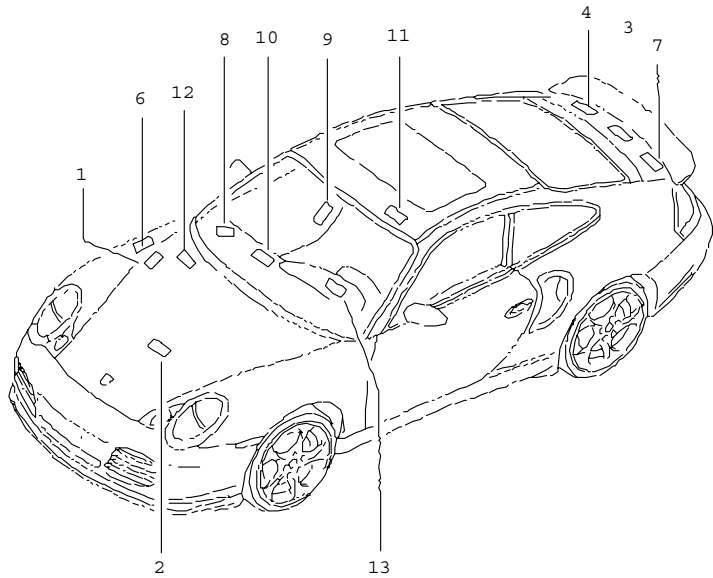


Pos	Part Number	Name	Remarks	Qty	Model
		tool jack fire extinguisher			
1	996 721 115 00	tool bag with contents comprising:		1	
-	996 361 521 00	boot for tyre		1	
-	-	plastic gloves		1	
-	996 721 151 00	towing lug		1	
-	-	double-end spanner 10 X 13		1	
-	-	screw driver		1	
-	-	handle for screw driver		1	
-	999 571 076 02	socket wrench - 5 - for headlamp		1	
-	999 571 074 30	threaded bolt for assembly wheels		1	
-	-	rim wrench		1	
-	-	operating rod for rim wrench		1	
2	996 721 211 00	scissors type jack		1	
3	477 813 157	fastening plate		1	
4	900 029 109 02	winged screw M 10 X 65		1	
-	999 031 051 02	washer 11,0 X 20 X 3,5		1	M 450/M 680
-	996 721 163 90	foam part		1	GT2
-	-	compressor			
-	-	compressed air bottle see group 6/01/00			GT2

Model	Year	MG	SG	Illustration	Restrictions	Update					
996t	05	0	01	1-00		194	11:53	25.11.2005	PORSCHE	PET	PORSCHE

Pos	Part Number	Name	Remarks	Qty	Model	Pos	Part Number	Name	Remarks	Qty	Model
-	K 993 722 115 70	fire extinguisher		1	GT2 M 003						
-	K 996 722 211 90	spacer sleeve		2	GT2 M 003						
-	K 996 722 213 90	plug		2	GT2 M 003						
-	000 722 722 02	warning triangle		1							
-	993 722 041 00	first-aid kit		1							
		- - - E N D - - -									

Model	Year	MG	SG	Illustration	Restrictions	Update	11:53	25.11.2005	PORSCHE	PET	PORSCHE
996t	05	0	01	1-05		194					

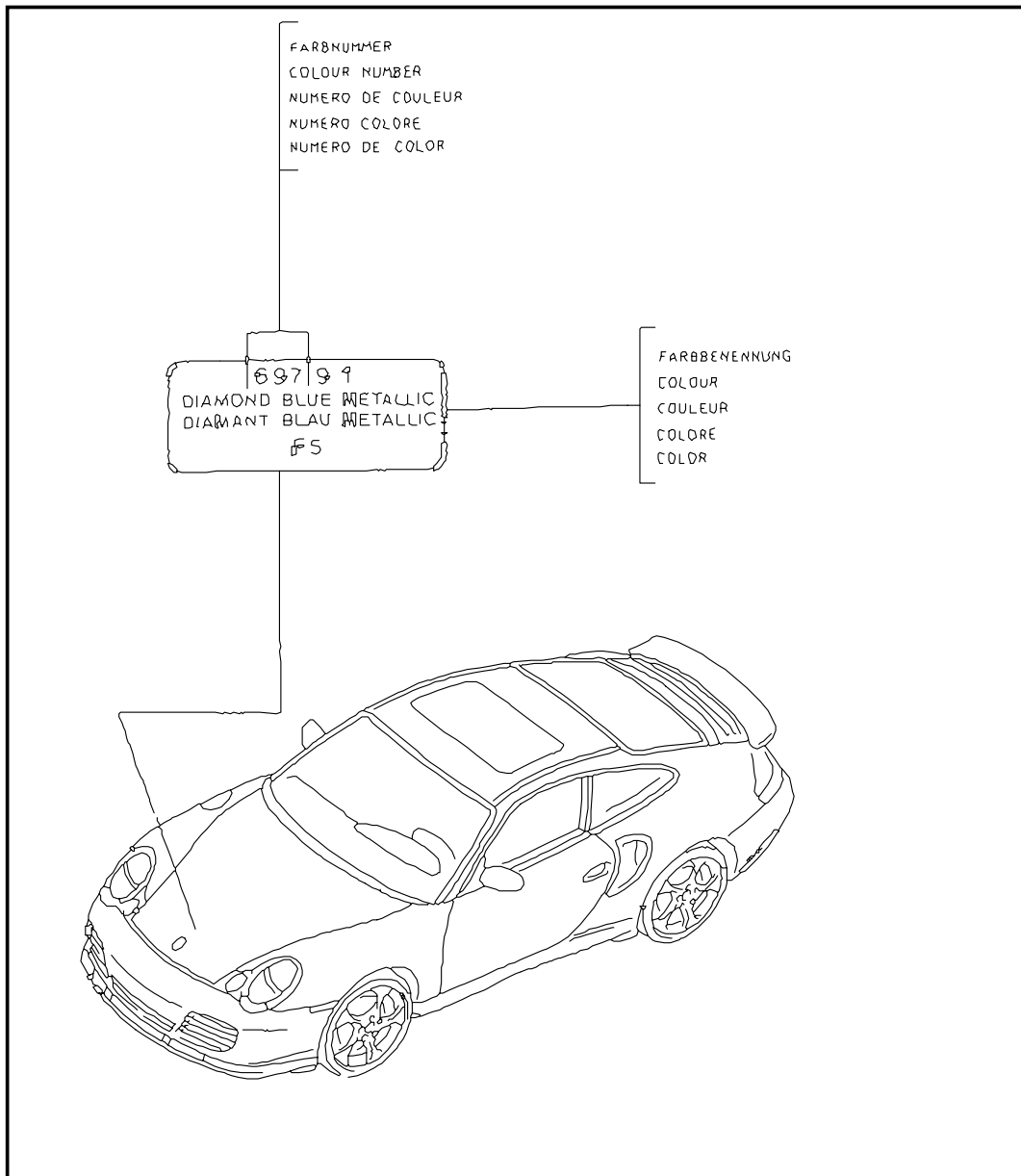


Pos	Part Number	Name	Remarks	Qty	Model
		stickers			
		stickers			
		tyre pressure			
1	996 701 287 48	sticker		1	TURBO
1	996 701 287 51	sticker		1	GT2
1	996 701 287 50	sticker	01	1	TURBO (AUS)
1	996 701 287 50	sticker	02-	1	TURBO (AUS)
1	996 701 287 53	sticker		1	GT2 (AUS)
1	996 701 170 00	sticker first-aid kit		1	M 499
		stickers		1	
		emergency wheel		1	
2	996 361 701 00	sticker english		1	(AUS)
2	996 361 701 20	sticker english	02-	1	(AUS) M 450
2	928 701 150 00	sticker "MAX 80 KM/H"		1	
		stickers			
		engine specifications			
3	996 006 107 70	sticker	01	1	TURBO (AUS)
3	996 006 107 71	sticker	02	1	TURBO (AUS)
3	996 006 107 72	sticker	03	1	TURBO (AUS)
3	996 006 107 73	sticker	04	1	TURBO (AUS)
3	996 006 107 80	sticker	01	1	GT2 (AUS)
3	996 006 107 81	sticker	02	1	GT2 (AUS)
3	996 006 107 82	sticker	03	1	GT2 (AUS)
3	996 006 107 83	sticker	04	1	GT2 (AUS)
3	993 006 108 02	sticker	01	1	M 068
3	996 006 108 00	sticker	02-	1	M 068
		stickers			
		type of fuel			
6	996 006 117 00	sticker 98 ROZ		1	

Model	Year	MG	SG	Illustration	Restrictions	Update	11:53	25.11.2005	PORSCHE	PET	PORSCHE
996t	05	0	01	1-05		194					

Pos	Part Number	Name	Remarks	Qty	Model	Pos	Part Number	Name	Remarks	Qty	Model
6	996 006 117 02	sticker 96 ROZ		1	(AUS)	8	996 701 430 03	sticker child car seat swedish english		1	TURBO
6	996 006 117 01	sticker 98 ROZ		1	M 150	8	986 701 430 03	sticker child car seat swedish english		1	GT2
6	996 006 117 03	sticker 93 RON/MON/2		1	(J)	8	996 701 430 04	sticker child car seat arabic english	04	1	TURBO
6	996 701 190 00	sticker fuel tank cap		1		8	986 701 430 04	sticker child car seat arabic english	04	1	GT2
7	993 006 544 01	sticker engine oil - MOBIL 1 -		1		12	996 701 141 01	sticker air conditioner		1	
(7)	996 006 120 00	indication sticker expansion tank coolant		1				- - - E N D - - -			
		stickers airbag									
8	3B0 010 219 B	sticker child car seat		1							
8	8D0 010 141 Q	sticker child car seat	05	1	(AUS)						
8	996 701 430 00	sticker child car seat german english		1	TURBO						
8	986 701 430 00	sticker child car seat german english		1	GT2						
8	996 701 430 01	sticker child car seat italian french		1	TURBO						
8	986 701 430 01	sticker child car seat italian french		1	GT2						
8	996 701 430 02	sticker child car seat english spanish		1	TURBO						
8	986 701 430 02	sticker child car seat english spanish		1	GT2						

Model	Year	MG	SG	Illustration	Restrictions	Update	11:54	25.11.2005	PORSCHE	PET	PORSCHE
996t	05	0	04	4-00		194					

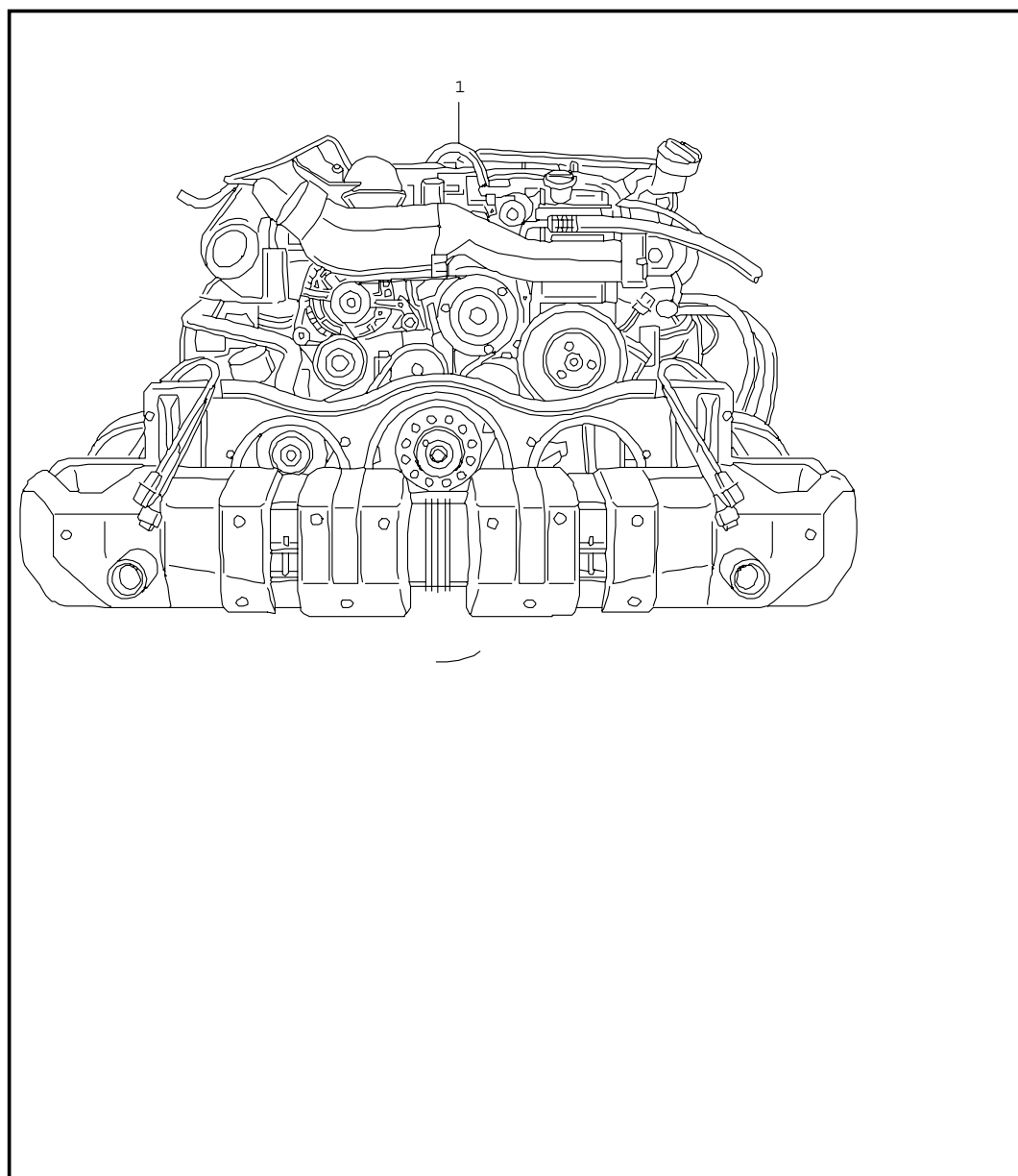


Pos	Part Number	Name	Remarks	Qty	Model
-	911 095 932 20	paint touch-up applicator lacquers		X	
	719	black			A 1
	80K	guards red			G 1
	9A3	biarritz white			Z 2
	12G	speed yellow			X 4
	347	dark blue			55
	B9A	carrara white			B 4
-	911 095 933 20	paint touch-up applicator set comprising: paint touch-up applicator primer paint touch-up applicator clear lacquer		X	
	92T	arctic silver metallic			X 1
	746	black-metallic			Z 8
	2A2	rainforest green metallic			J 4
	1A9	zanzibar red	-02 03		N 1 63
	8A4	orient red metallic			L 1
	3A9	lapis blue metallic	-02		E 3
	M5W	lapis blue metallic	03-		J 2
	6A7	meridian metallic	-03 04-		X 2 64
	6B5	seal grey metallic			Y 1
	23I	wimbledon green metallic			51
	22E	forest green metallic			53
	39G	violet metallic			54
	37U	cobalt blue metallic			56
	92E	polar silver metallic			58
	22D	slate grey metallic			59

Model	Year	MG	SG	Illustration	Restrictions	Update					
996t	05	0	04	4-00		194	11:54	25.11.2005	PORSCHE	PET	PORSCHE

Pos	Part Number	Name	Remarks	Qty	Model	Pos	Part Number	Name	Remarks	Qty	Model
	37W	midnight blue metallic	-02 03-		62 E 9						
	C9Z	basalt black metallic			Z 4						
	M6W	lagoon green metallic			G 4						
	M3W	carmon red metallic			E 4						
	M7X	atlas grey metallic			E 7						
	M7Z	gt silver metallic			U 2						
	M6X	dark olive-metallic			7 G						
		- - - E N D - - -									

Model	Year	MG	SG	Illustration	Restrictions	Update	11:54	25.11.2005	PORSCHE	PET	PORSCHE
996t	05	1	01	101-00		194					

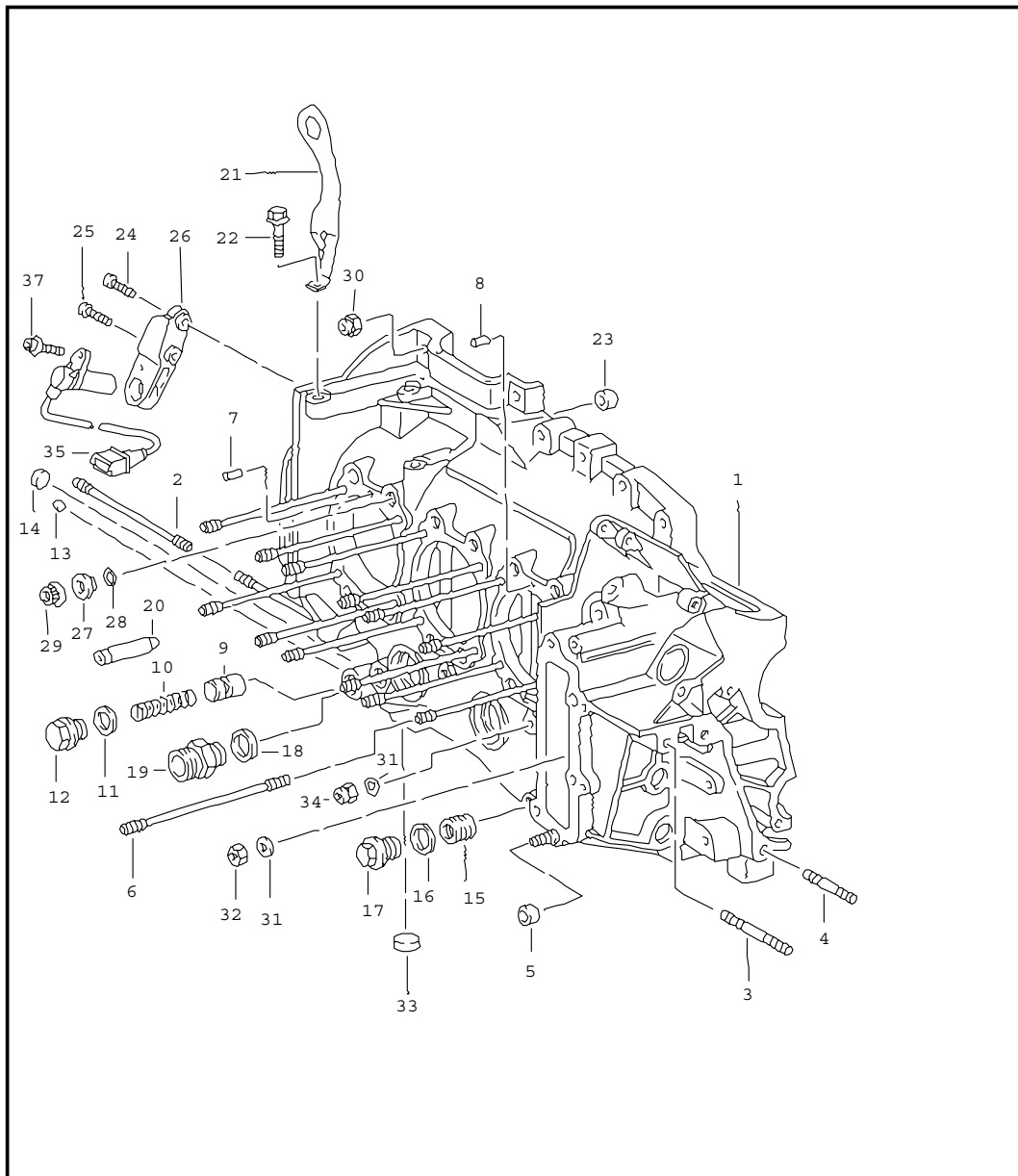


Pos	Part Number	Name	Remarks	Qty	Model
		replacement engine	02-		M 96.70 M 96.70E X 50 M 96.70S M 101
		ready for installation	02-		
1 >	996 100 970 00	replacement engine	01	1	M 96.70 M 480
		see technical information group 1 NR.3/01			
1 >	996 100 970 01	replacement engine	01	1	M 96.70 M 249
		see technical information group 1 NR.3/01		1	
		replacement engine ready for installation			
1 >	996 100 970 02	replacement engine	02	1	M 96.70 M 152 M 480
1 >	996 100 970 13	replacement engine	03	1	M 96.70 M 152 M 480
1 >	996 100 970 21	replacement engine	04	1	M 96.70 M 152 M 480
1	996 100 970 29	replacement engine	05	1	M 96.70 M 152 M 480
1 >	996 100 970 03	replacement engine	02	1	M 96.70 M 152 M 249
1 >	996 100 970 14	replacement engine	03	1	M 96.70 M 152 M 249
1 >	996 100 970 22	replacement engine	04	1	M 96.70 M 152 M 249
1	996 100 970 30	replacement engine	05	1	M 96.70 M 152 M 249
		replacement engine ready for installation			

Model	Year	MG	SG	Illustration	Restrictions	Update	11:54	25.11.2005	PORSCHE	PET	PORSCHE
996t	05	1	01	101-00		194					

Pos	Part Number	Name	Remarks	Qty	Model	Pos	Part Number	Name	Remarks	Qty	Model
1	> 996 100 970 09	replacement engine	02	1	M 96.70E X 50 M 152 M 480						
1	> 996 100 970 19	replacement engine	03	1	M 96.70E X 50 M 152 M 480						
1	> 996 100 970 25	replacement engine	04	1	M 96.70E X 50 M 152 M 480						
1	996 100 970 33	replacement engine	05	1	M 96.70E X 50/75 M152 M 480						
1	> 996 100 970 10	replacement engine	02	1	M 96.70E X 50 M 152 M 249						
1	> 996 100 970 20	replacement engine	03	1	M 96.70E X 50 M 152 M 249						
1	> 996 100 970 26	replacement engine	04	1	M 96.70E X 50 M 152 M 249						
1	996 100 970 34	replacement engine ready for installation	05	1	M 96.70E X 50/75 M152 M 249						
1	> 996 100 970 06	replacement engine	01	1	M 96.70S M 101 M 152						
1	> 996 100 970 07	replacement engine	02	1	M 96.70S M 101 M 152						
1	> 996 100 970 17	replacement engine	03	1	M 96.70S M 101 M 152						
1	> 996 100 970 27	replacement engine	04	1	M 96.70S M 101 M 152						
1	996 100 970 35	replacement engine	05	1	M 96.70S M 101 M 152						
		- - - E N D - - -									

Model	Year	MG	SG	Illustration	Restrictions	Update	11:54	25.11.2005	PORSCHE	PET	PORSCHE
996t	05	1	01	101-05		194					

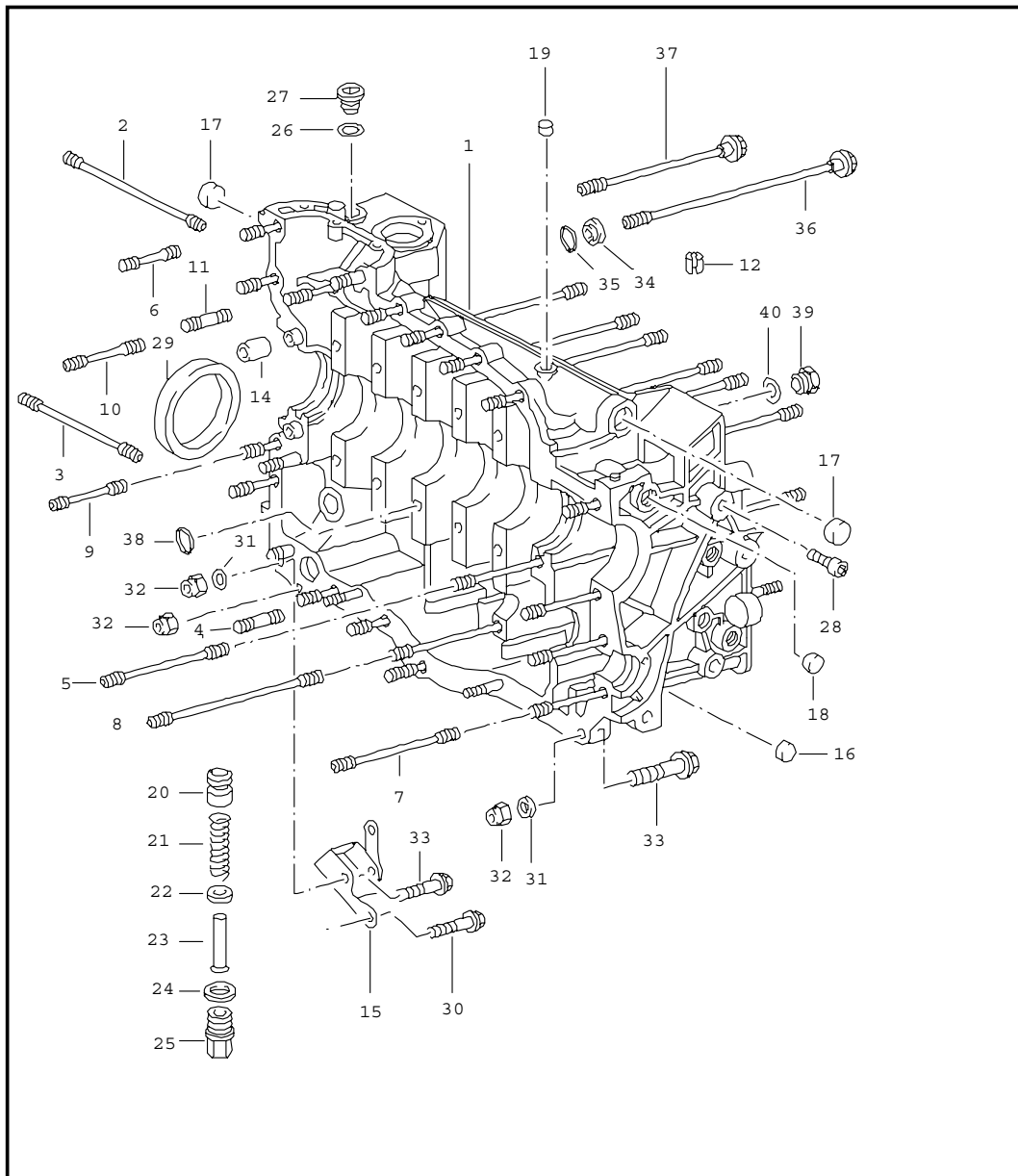


Pos	Part Number	Name	Remarks	Qty	Model
1	996 101 901 71	crankcase left		1	
2	999 062 099 02	stud BM 10 X 105		2	
5	901 101 145 00	dowel sleeve		4	
6	996 101 172 70	stud		24	
7	900 012 046 00	straight pin A 8,0 X 14		2	
8	900 012 057 00	straight pin A 6,0 X 14		2	
9	911 107 512 00	piston		1	
10	901 107 531 00	compression spring		1	
11	900 123 106 30	sealing ring A 18 X 24		1	
12	999 064 026 02	screw plug M 18 X 24		1	
13	911 101 186 00	plug 7,5 X 8,0		1	
13	911 101 186 01	plug oversize 8,5 X 8,0		1	
14	911 101 182 01	plug oversize 14,00 X 8,5		1	
15	999 504 127 00	threaded insert 20 X 1,5		1	
16	900 123 118 30	sealing ring A 22 X 27		1	
17	944 107 197 01	screw plug		1	
18	900 123 011 30	sealing ring A 22 X 27		1	
19	999 136 044 09	union 18		1	
20	996 101 018 51	splash valve M 20 X 1,5		6	
21	996 101 251 72	holder		1	

Model	Year	MG	SG	Illustration	Restrictions	Update	11:54	25.11.2005	PORSCHE	PET	PORSCHE
996t	05	1	01	101-05		194					

Pos	Part Number	Name	Remarks	Qty	Model	Pos	Part Number	Name	Remarks	Qty	Model
22	900 074 040 02	hexagon-head bolt M 8 X 50		1							
23	901 101 195 00	dowel sleeve		2							
24	900 075 341 02	hexagon-head bolt M 6 X 25		1							
25	900 075 345 02	hexagon-head bolt M 6 X 35		1							
26	964 101 187 01	support		1							
27	964 101 313 02	washer		15							
28	999 701 006 40	o-ring 8 X 2		15							
29	959 101 172 00	nut		11							
30	999 084 095 02	lock nut M 8		23							
31	900 025 008 09	washer A 10,5		2							
32	900 076 078 01	hexagon nut M 10 X 1,25		1							
33	911 101 184 01	plug oversize 20,00 X 13		1							
34	999 084 096 02	lock nut M 10		1							
35	996 606 105 00	pulse sender		1	M 480						
36	986 606 112 02	pulse sender	-02	1	M 249						
36	986 606 112 03	pulse sender	03-	1	M 249						
37	999 218 005 02	pan-head screw M 6 X 16		1							
		- - - E N D - - -									

Model	Year	MG	SG	Illustration	Restrictions	Update	11:54	25.11.2005	PORSCHE	PET	PORSCHE
996t	05	1	01	101-10		194					

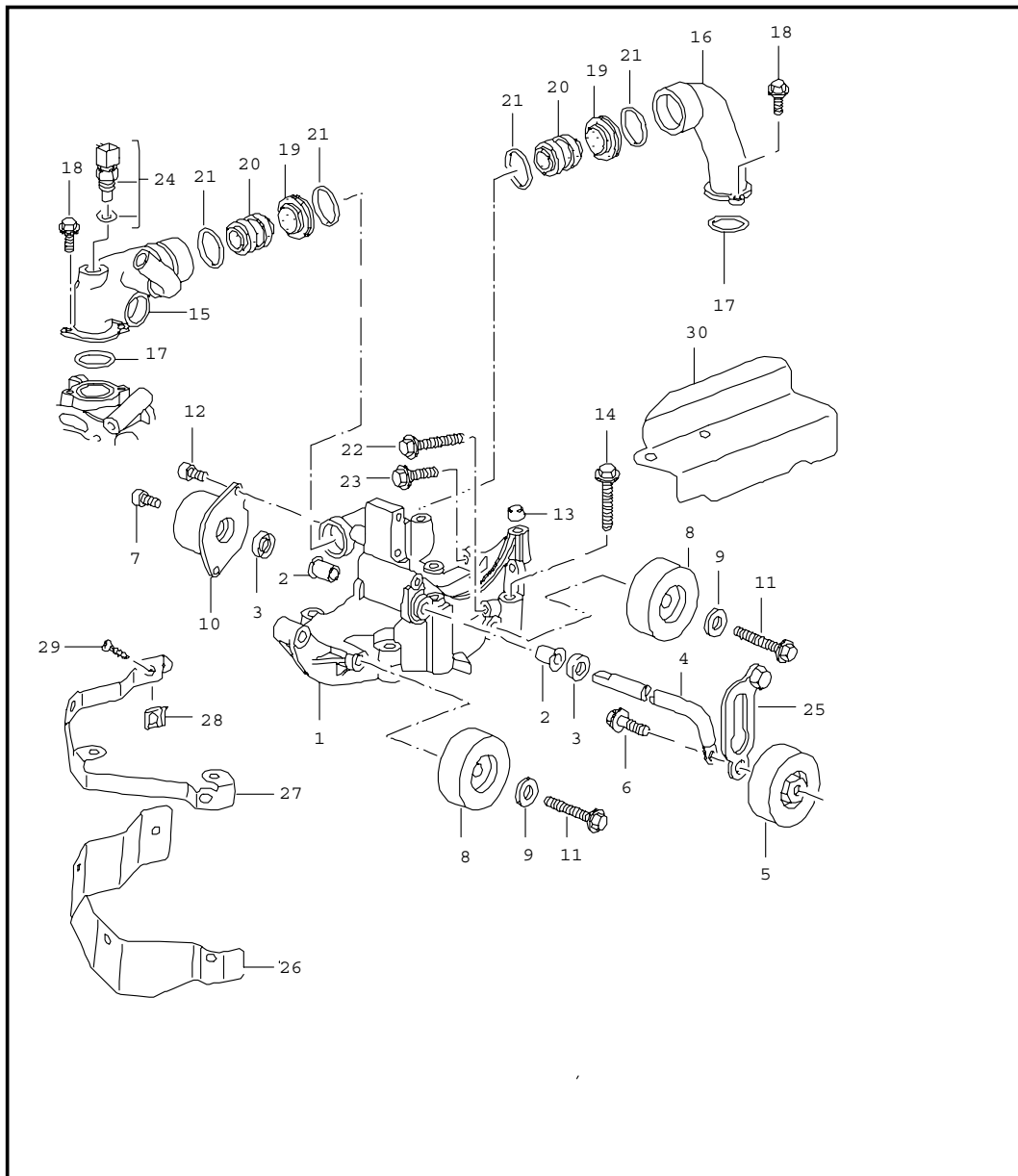


Pos	Part Number	Name	Remarks	Qty	Model
1	996 101 901 71	crankcase right		1	
2	999 062 225 02	stud BM 10 X 140		1	
3	999 062 099 02	stud BM 10 X 105		1	
4	999 062 007 02	stud BM 8 X 22		3	
5	996 101 175 70	stud		1	
6	999 062 115 02	stud BM 8 X 32		13	
7	999 062 156 02	stud BM 8 X 78		3	
8	999 062 276 02	stud BM 10 X 110		1	
9	999 062 075 02	stud BM 8 X 48		2	
10	999 062 138 02	stud BM 8 X 52		1	
11	999 062 009 02	stud BM 8 X 28		1	
12	900 095 025 01	roll pin 8 X 16		1	
14	901 101 195 00	dowel sleeve		2	
15	996 101 206 70	hook		1	
16	911 101 184 01	plug oversize 20,00 X 13		1	
17	911 101 185 01	plug oversize 23,00 X 9		2	
18	911 101 182 01	plug oversize 14,00 X 8,5		1	
19	911 101 186 00	plug 7,50 X 8		1	

Model	Year	MG	SG	Illustration	Restrictions	Update	11:54	25.11.2005	PORSCHE	PET	PORSCHE
996t	05	1	01	101-10		194					

Pos	Part Number	Name	Remarks	Qty	Model	Pos	Part Number	Name	Remarks	Qty	Model
19	911 101 186 01	plug oversize 8,50 X 8		1							
20	911 107 512 00	piston		1							
21	901 107 531 00	compression spring		1							
22	964 107 532 00	spacer ring		1							
23	930 107 533 00	guide sleeve		1							
24	900 123 106 30	sealing ring A 18 X 24		1							
25	999 064 026 02	screw plug		1							
26	900 123 140 30	sealing ring A 18 X 22		1							
27	900 219 009 30	screw plug M 18 X 1,5		1							
28	999 074 017 02	hexagon-head bolt M 10 X 18		1							
29	999 113 426 41	shaft seal 90 X 110 X 12		1							
30	900 074 139 02	hexagon-head bolt M 8 X 55		1							
31	900 031 001 02	washer 8,4		26							
32	999 084 095 02	lock nut M 8		23							
33	900 074 134 02	hexagon-head bolt M 8 X 45		2							
34	964 101 313 02	washer		13							
35	999 701 006 40	o-ring 8 X 2		13							
36	959 101 173 01	screw		11							
37	964 101 174 00	screw		2							
38	999 701 596 40	o-ring 8,3 X 2,4		4							
39	900 175 022 02	banjo bolt		1							
40	900 123 152 30	sealing ring		2							
- - - E N D - - -											

Model	Year	MG	SG	Illustration	Restrictions	Update	11:55	25.11.2005	PORSCHE	PET	PORSCHE
996t	05	1	01	101-15		194					

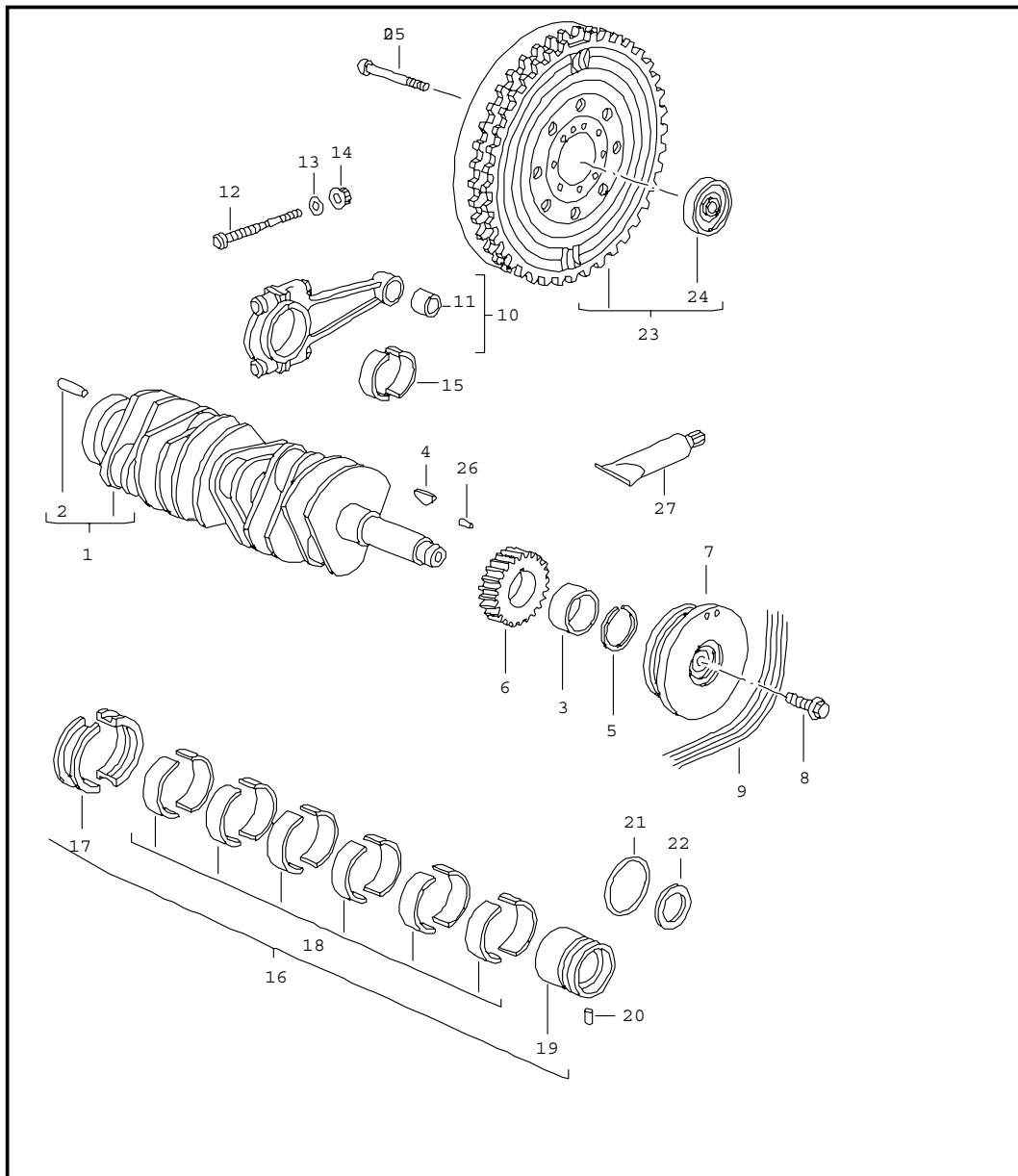


Pos	Part Number	Name	Remarks	Qty	Model
		belt tensioner belt drive			
1	996 115 112 70	bracket		1	
2	996 102 167 50	bearing sleeve		2	
3	996 102 365 50	dust boot		2	
4	996 115 913 70	lever		1	
5	996 115 016 72	tensioning roller		1	
6	999 072 041 09	hexagon-head bolt M 10 X 30		1	
7	999 218 005 02	pan-head screw M 6 X 16		1	
8	996 115 015 74	deflection roller		2	
9	996 102 125 53	cover disc		2	
10	996 115 221 71	tensioner		1	
11	900 378 200 09	hexagon-head bolt M 10 X 55		2	
12	900 067 131 02	pan-head screw M 8 X 16		2	
13	999 095 063 02	dowel sleeve 11 M 6 X 10		2	
14	900 378 098 09	hexagon-head bolt AM 10 X 60		4	
15	996 106 039 73	connection piece		1	
16	996 106 440 72	connection piece		1	
17	999 707 410 40	o-ring 39,20 X 3,00		2	
18	900 378 030 09	hexagon-head bolt M 6 X 20		4	
19	996 106 214 70	protective ring		2	
20	996 106 238 71	socket		2	
21	999 707 411 40	o-ring 28,00 X 4,50		4	
22	900 378 150 09	hexagon-head bolt M 8 X 55		1	

Model	Year	MG	SG	Illustration	Restrictions	Update	11:55	25.11.2005	PORSCHE	PET	PORSCHE
996t	05	1	01	101-15		194					

Pos	Part Number	Name	Remarks	Qty	Model	Pos	Part Number	Name	Remarks	Qty	Model
23	900 378 022 09	hexagon-head bolt M 8 X 25		2							
24	996 606 410 00	temperature sensor		1							
25	996 115 213 71	driver		1							
26	996 115 521 71	protective plate	/L	1							
27	996 115 621 72	support	/L	1							
28	999 507 462 02	speed nut		4							
29	999 919 164 09	tapping screw		4							
30	996 115 661 72	protective plate	/R	1							
		- - - E N D - - -									

Model	Year	MG	SG	Illustration	Restrictions	Update	11:55	25.11.2005	PORSCHE	PET	PORSCHE
996t	05	1	02	102-00		194					



Pos	Part Number	Name	Remarks	Qty	Model
		crankshaft			
1	993 102 021 02	crankshaft		1	
2	900 095 031 00	roll pin 6 X 16		1	
3	959 102 321 00	intermediate ring		1	
4	901 102 147 00	woodruff key		1	
5	901 102 148 00	circlip number 0		1	
5	901 102 148 01	circlip number 1		1	
5	901 102 148 02	circlip number 2		1	
5	901 102 148 03	circlip number 3		1	
6	-	see group 1/03/15		1	
7	996 102 017 71	pulley		1	
8	999 217 128 01	hexagon-head bolt M 14 X 1,5 X 33		1	
9	999 192 379 50	poly-rib belt		1	M 573
10	996 103 975 70	1 set connecting rods comprising: connecting rods		1	
11	993 103 134 01	connecting rod bush		6	
12	996 103 176 70	connecting rod bolt		12	
14	993 103 174 02	connecting rod nut		12	
15	993 103 147 15	connecting-rod bearing		6	
16	964 101 901 00	set of crankshaft bearings		1	
16	964 101 901 51	set of crankshaft bearings oversize inner 0,25 MM		1	
16	964 101 901 56	set of crankshaft bearings oversize inner 0,50 MM		1	

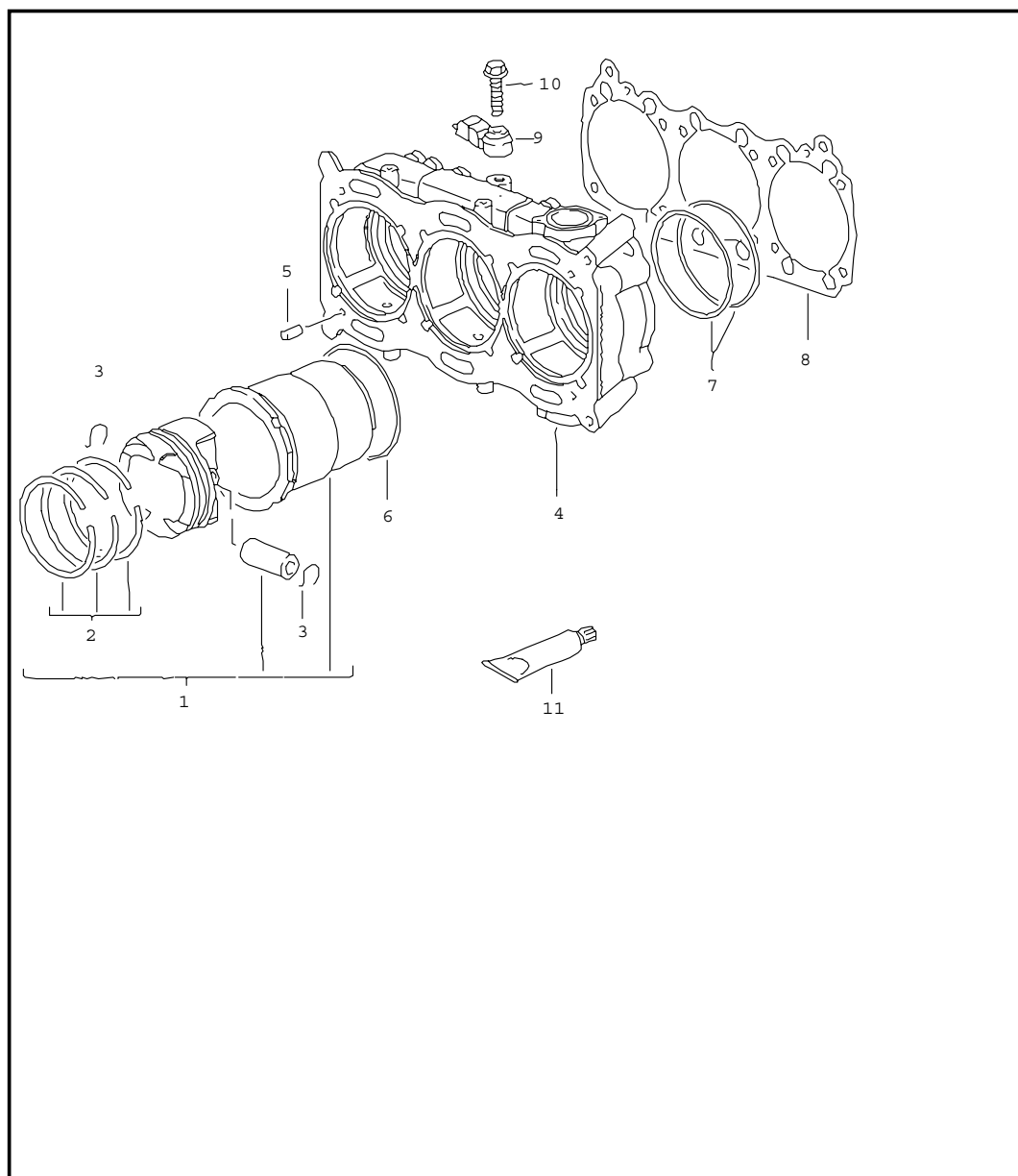
Model	Year	MG	SG	Illustration	Restrictions	Update	11:55	25.11.2005	PORSCHE	PET	PORSCHE
996t	05	1	02	102-00		194					

Pos	Part Number	Name	Remarks	Qty	Model	Pos	Part Number	Name	Remarks	Qty	Model
16	964 101 901 61	set of crankshaft bearings oversize outer 0,25 MM		1		18	930 101 132 15	bearing shell II-VII		12	
16	964 101 901 71	set of crankshaft bearings oversize inner 0,25 MM oversize outer 0,25 MM		1		18	930 101 132 51	bearing shell II-VII oversize inner 0,25 MM		12	
16	964 101 901 76	set of crankshaft bearings oversize inner 0,50 MM oversize outer 0,25 MM		1		18	930 101 132 56	bearing shell II-VII oversize inner 0,50 MM		12	
17	930 101 131 15	bearing shell I		2		18	930 101 132 61	bearing shell II-VII oversize outer 0,25 MM		12	
17	930 101 131 51	bearing shell I oversize inner 0,25 MM		2		18	930 101 132 71	bearing shell II-VII oversize inner 0,25 MM outer 0,25 MM		12	
17	930 101 131 56	bearing shell I oversize inner 0,50 MM		2		18	930 101 132 76	bearing shell II-VII oversize inner 0,50 MM outer 0,25 MM		12	
17	930 101 131 61	bearing shell I oversize outer 0,25 MM		2		19	964 101 138 01	bearing sleeve VIII		1	
17	930 101 131 71	bearing shell I oversize inner 0,25 MM outer 0,25 MM		2		19	964 101 138 54	bearing sleeve VIII oversize inner 0,25 MM		1	
17	930 101 131 76	bearing shell I oversize inner 0,50 MM outer 0,25 MM		2		19	964 101 138 55	bearing sleeve VIII oversize inner 0,50 MM		1	
						19	964 101 138 65	bearing sleeve VIII oversize outer 0,25 MM		1	

Model	Year	MG	SG	Illustration	Restrictions	Update	11:55	25.11.2005	PORSCHE	PET	PORSCHE
996t	05	1	02	102-00		194					

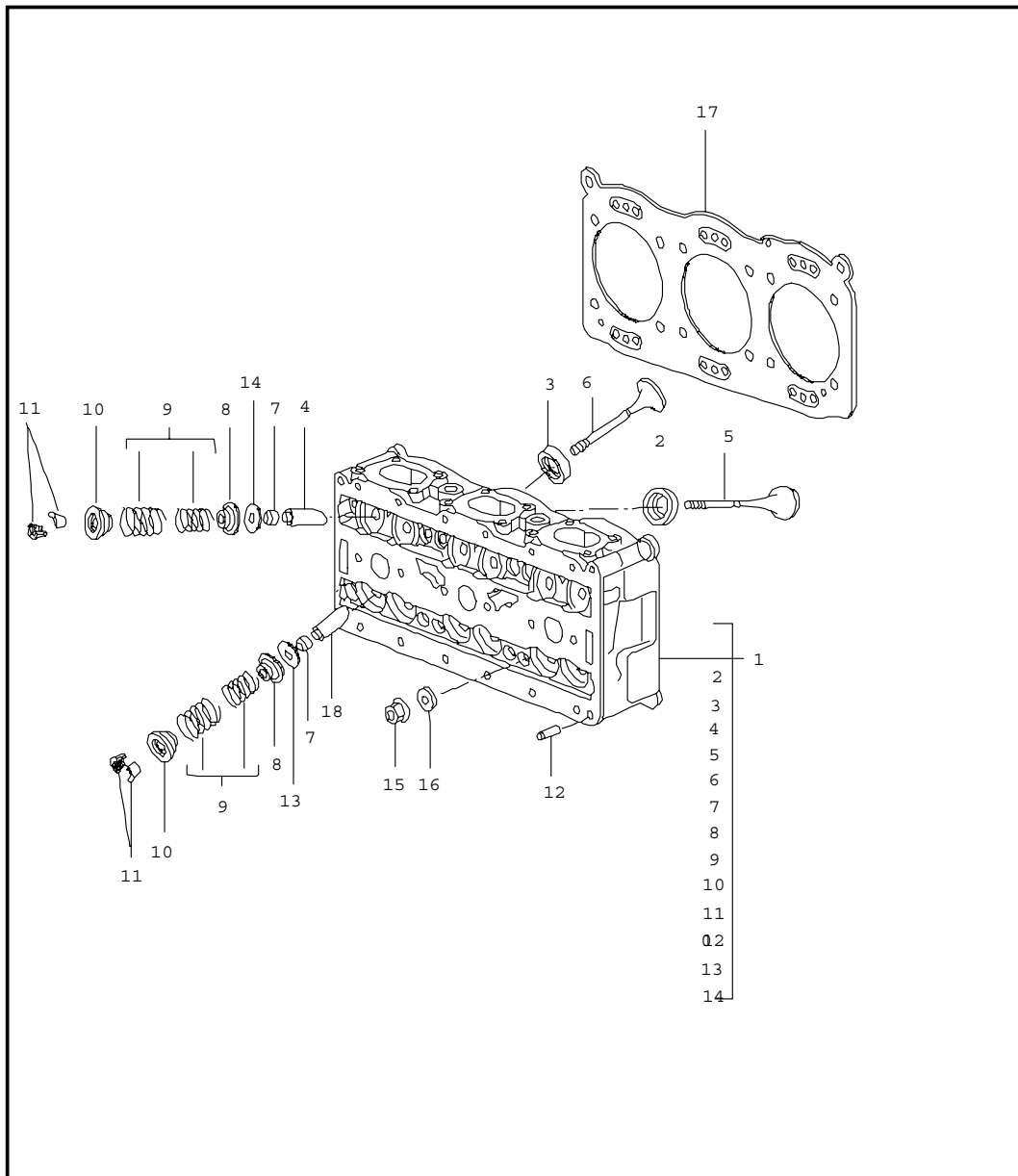
Pos	Part Number	Name	Remarks	Qty	Model	Pos	Part Number	Name	Remarks	Qty	Model
19	964 101 138 66	bearing sleeve VIII oversize inner 0,25 MM outer 0,25 MM		1							
19	964 101 138 67	bearing sleeve VIII oversize inner 0,50 MM outer 0,25 MM		1							
20	900 012 061 00	straight pin 5 H 8 X 10		1							
21	999 707 285 40	round seal 51 X 4,5		1							
22	999 113 290 41	radial sealing ring 30 X 50 X 10		1							
23	996 114 012 50	double-mass flywheel		1							
24	999 052 169 00	deep-groove ball bearing 30 X 37 X 4		1							
25	999 119 017 01	pan-head screw M 10 X 1,25 X 62		9							
26	900 302 046 01	straight pin M 5 X 18		1							
27	000 043 300 12	grease 100 GR.		1							
		- - - E N D - - -									

Model	Year	MG	SG	Illustration	Restrictions	Update	11:55	25.11.2005	PORSCHE	PET	PORSCHE
996t	05	1	02	102-05		194					



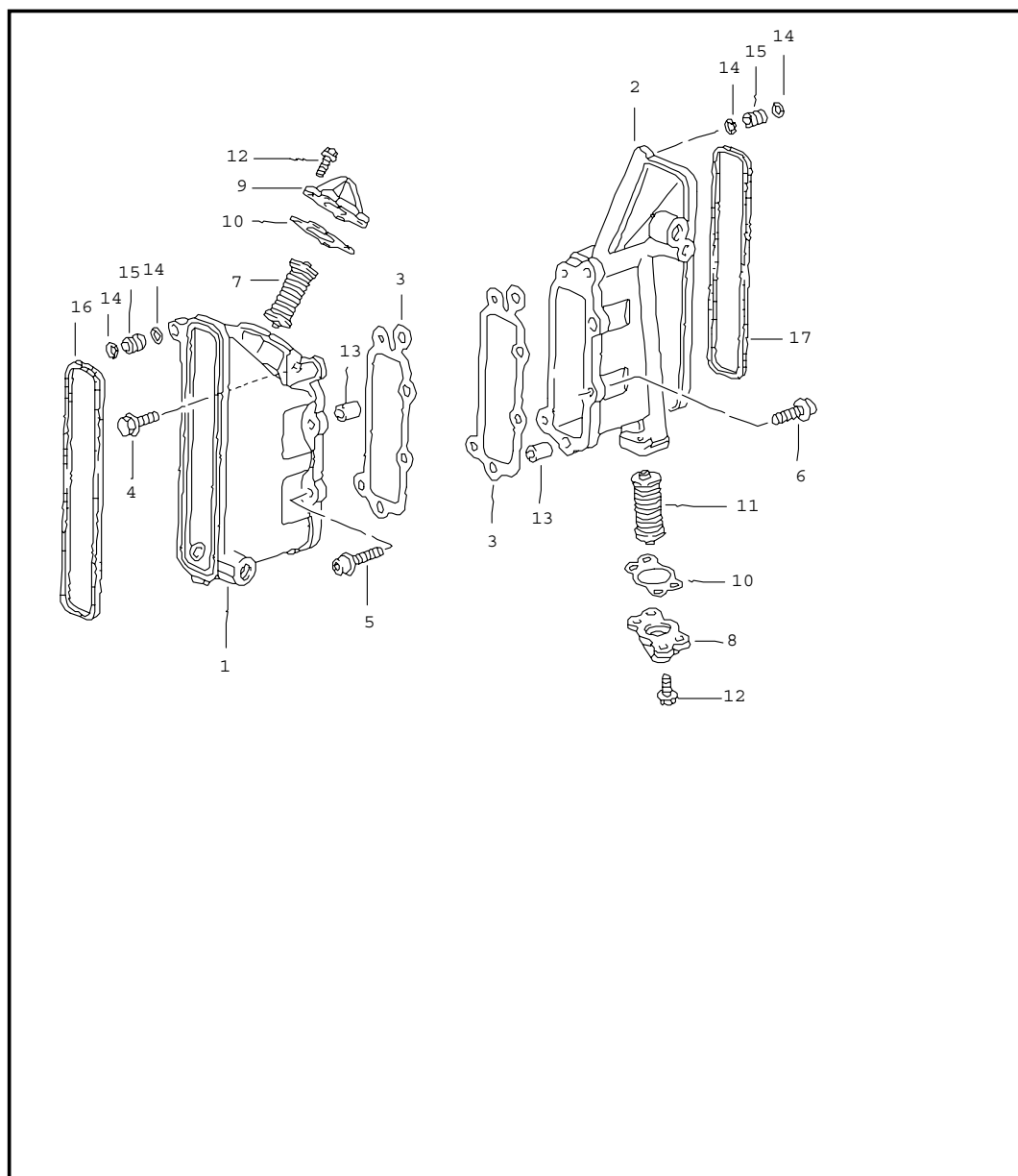
Pos	Part Number	Name	Remarks	Qty	Model
		cylinder with pistons see workshop manual			
1	996 103 915 74	cylinder with pistons number plate /- 552 - 558 G		6	
1	996 103 916 73	cylinder with pistons number plate /+ 558 - 564		6	
(1)	996 103 915 79	cylinder with pistons number plate /- 552 - 558 G	-03	6	GT2
(1)	996 103 915 80	cylinder with pistons number plate /- 552 - 558 G	04-	6	GT2
(1)	996 103 916 78	cylinder with pistons number plate /+ 558 - 564 G		6	GT2
2	996 103 925 70	set of piston rings		6	
3	999 178 016 00	snap ring		12	
4	996 101 311 75	housing		2	
5	900 012 046 00	straight pin A 8,0 X 14		8	
6	999 707 393 40	o-ring 104,00 X 2,00		6	
7	999 707 394 40	o-ring 110,00 X 2,50		12	
8	996 101 193 72	cylinder base gasket		2	
9	996 606 125 00	knock sensor		2	
10	900 378 033 09	hexagon-head bolt AM 8 X 30		2	
11	000 043 205 10	grease 80 GR.		1	
- - - E N D - - -					

Model	Year	MG	SG	Illustration	Restrictions	Update	11:55	25.11.2005	PORSCHE	PET	PORSCHE
996t	05	1	03	103-00		194					



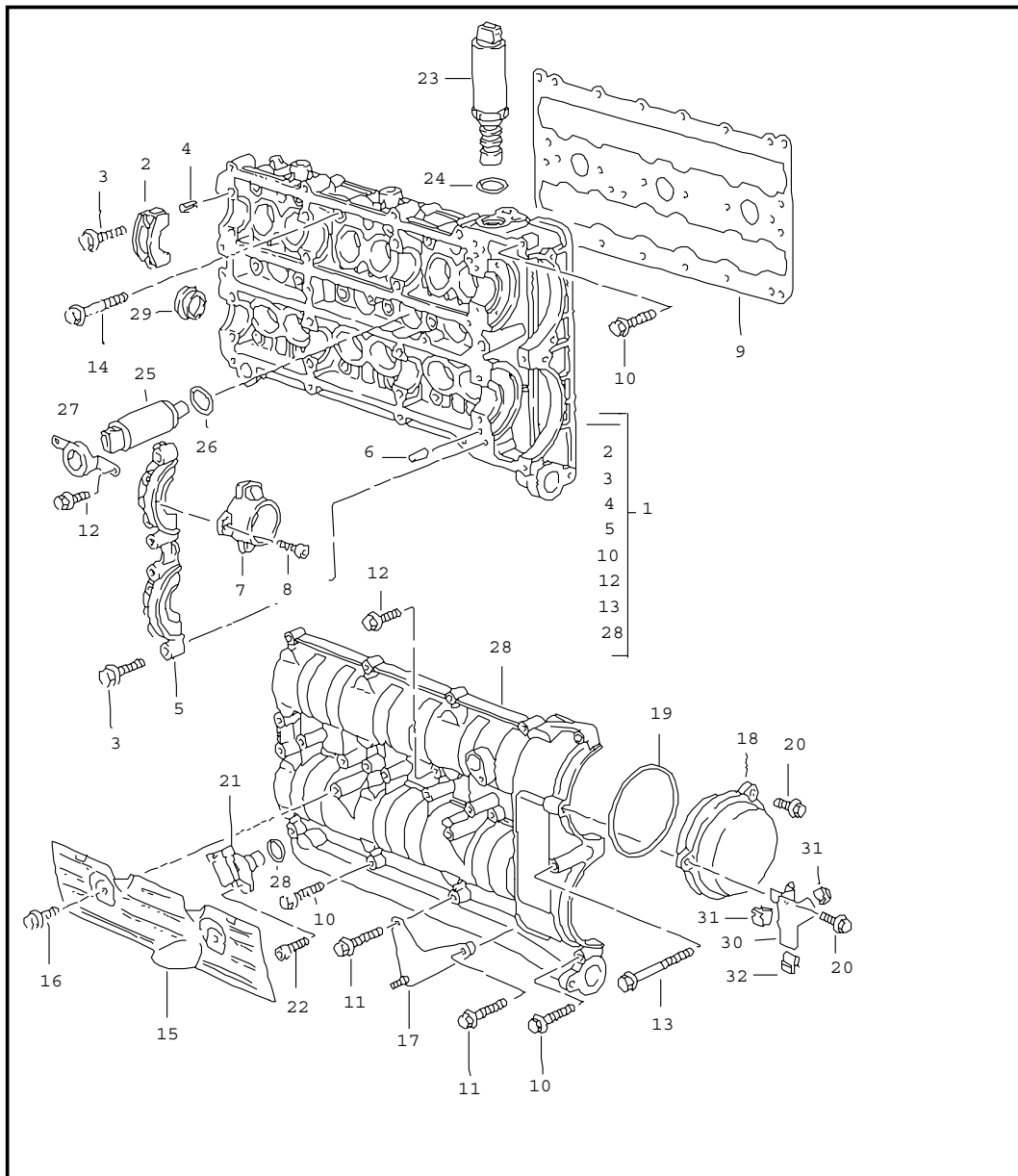
Pos	Part Number	Name	Remarks	Qty	Model
		cylinder head			
1	996 104 001 76	cylinder head ready for installation		2	
2	996 104 111 77	valve seat ring intake oversize		12	
3	996 104 113 77	valve seat ring exhaust oversize		12	
4	996 104 116 71	valve guide exhaust		12	
5	996 105 111 72	intake valve		12	
6	996 105 113 72	exhaust valve		12	
7	996 105 115 52	valve stem seal		24	
8	996 105 117 73	concave washer		24	
9	996 105 093 70	set of valve springs		24	
10	996 105 121 73	concave washer		24	
11	996 105 123 52	collet		48	
12	900 012 046 00	straight pin		4	
13	996 105 461 90	washer		12	
14	996 105 491 70	spacer ring		12	
15	996 104 382 70	cylinder head nut		24	
17	996 104 170 72	cylinder head gasket		2	
18	996 104 115 76	valve guide intake		12	
		- - - E N D - - -			

Model	Year	MG	SG	Illustration	Restrictions	Update	11:55	25.11.2005	PORSCHE	PET	PORSCHE
996t	05	1	03	103-05		194					



Pos	Part Number	Name	Remarks	Qty	Model
		chain case chain adjuster			
1	996 105 143 77	chain case	/L	1	
2	996 105 144 77	chain case	/R	1	
3	996 105 192 71	gasket		2	
4	900 378 022 09	hexagon-head bolt AM 8 X 25		1	
5	900 067 276 02	pan-head screw M 8 X 35		4	
6	900 067 247 02	pan-head screw M 8 X 30		5	
7	959 105 051 01	chain adjuster	/L	1	
8	993 105 022 01	cover	/R	1	
9	996 105 023 70	cover	/L	1	
10	964 105 177 03	gasket		2	
11	959 105 052 01	chain adjuster	/R	1	
12	900 378 030 09	hexagon-head bolt		4	
13	901 101 145 00	dowel sleeve		4	
14	999 707 229 40	o-ring 9,25 X 1,78		4	
15	996 105 229 90	intermediate piece		2	
16	996 105 513 72	gasket	/L	1	
17	996 105 514 72	gasket	/R	1	
		- - - E N D - - -			

Model	Year	MG	SG	Illustration	Restrictions	Update	11:56	25.11.2005	PORSCHE	PET	PORSCHE
996t	05	1	03	103-10		194					

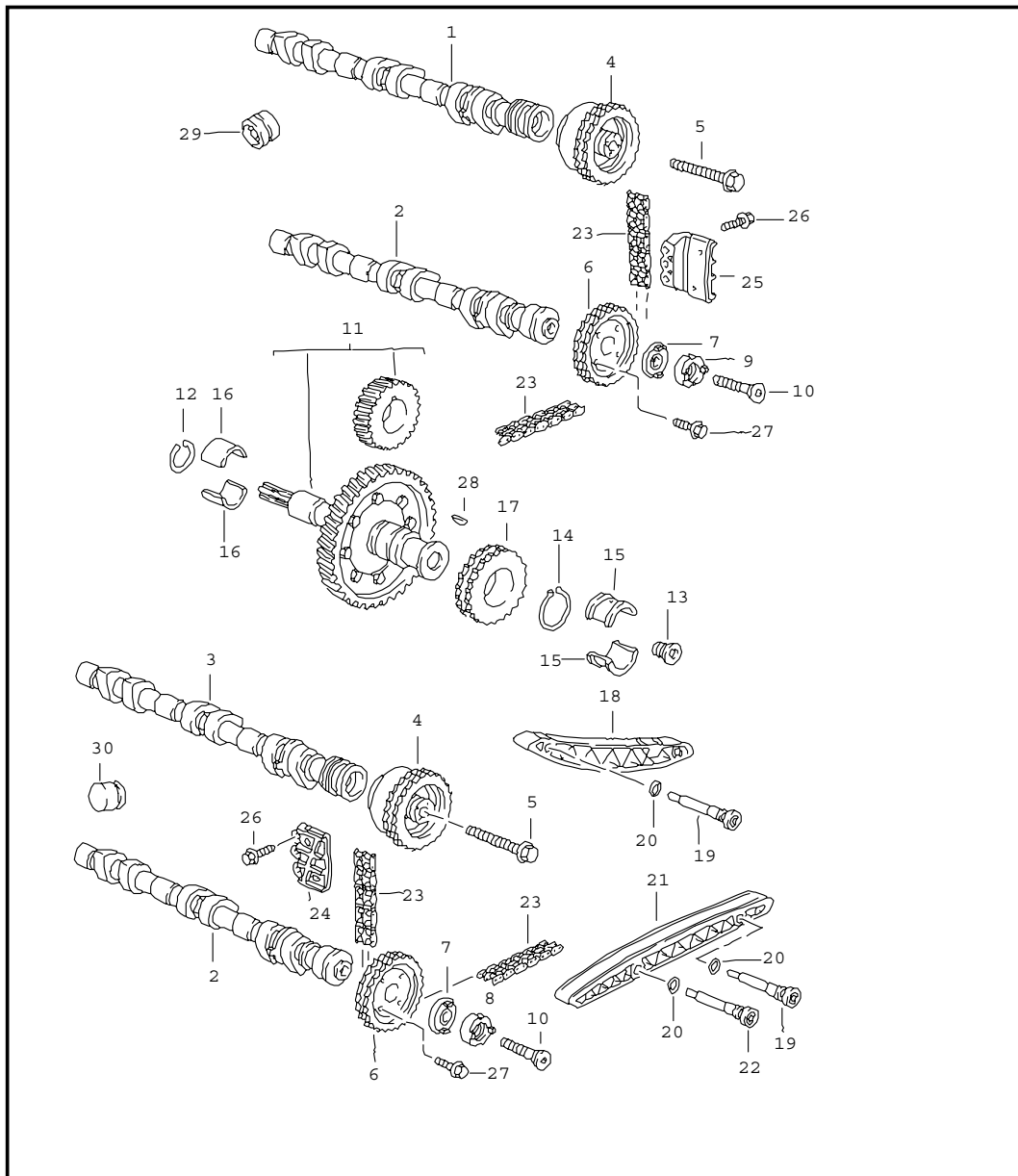


Pos	Part Number	Name	Remarks	Qty	Model
		camshaft housing			
1	A 996 105 029 77	camshaft housing	/L	1	
1	996 105 039 70	camshaft housing	/L	1	
(1)	996 105 940 70	camshaft housing	/R	1	
2	---	housing		12	
3	900 378 177 09	hexagon-head bolt AM 6 X 30		32	
4	944 104 361 00	dowel sleeve		24	
5	---	housing		2	
6	900 012 071 00	straight pin A 4,0 X 8		4	
7	996 105 233 72	housing	/L	1	
(7)	996 105 234 72	housing	/R	1	
8	900 067 051 02	pan-head screw M 5 X 10		6	
9	996 105 613 74	gasket	/L	1	
(9)	996 105 614 74	gasket	/R	1	
10	900 378 174 09	hexagon-head bolt AM 6 X 35		22	
11	900 378 029 09	hexagon-head bolt M 6 X 40		6	
12	900 378 013 09	hexagon-head bolt AM 6 X 25		16	
13	900 378 151 09	hexagon-head bolt M 6 X 70		2	
14	900 378 224 09	hexagon-head bolt AM 8 X 50		36	
15	996 104 426 73	cover plate	/R	1	
(15)	996 104 427 74	cover plate	/L	1	
16	900 378 036 09	hexagon-head bolt M 6 X 12		4	
18	996 105 315 74	cover		2	
19	999 707 482 40	o-ring 90,00 X 2,50		2	

Model	Year	MG	SG	Illustration	Restrictions	Update	11:56	25.11.2005	PORSCHE	PET	PORSCHE
996t	05	1	03	103-10		194					

Pos	Part Number	Name	Remarks	Qty	Model	Pos	Part Number	Name	Remarks	Qty	Model
20	900 378 030 09	hexagon-head bolt M 6 X 20		6							
21	996 606 106 02	hall sender	-02	2							
21	996 606 106 03	hall sender	03-	2							
22	900 067 117 09	pan-head screw M 6 X 16		2							
23	996 105 303 71	actuator camshaft		2							
24	999 707 504 40	o-ring 24 X 2,50		2							
25	996 105 301 71	actuator valve		2							
26	999 707 409 40	o-ring 26 X 3		2							
27	996 105 310 72	support		2							
28	-	cover matching with: camshaft housing	/L	1							
29	996 105 329 70	cover		4							
30	996 606 167 02	retaining bracket		2							
31	999 507 753 03	cable holder 5,7 - 7,0		2							
32	999 651 386 02	cable holder 5,5 - 9,0		1							
33	999 707 404 40	o-ring 17,05 X 1,78		2							
--	996 607 117 00	support for connector		1							
		- - - E N D - - -									

Model	Year	MG	SG	Illustration	Restrictions	Update	11:56	25.11.2005	PORSCHE	PET	PORSCHE
996t	05	1	03	103-15		194					

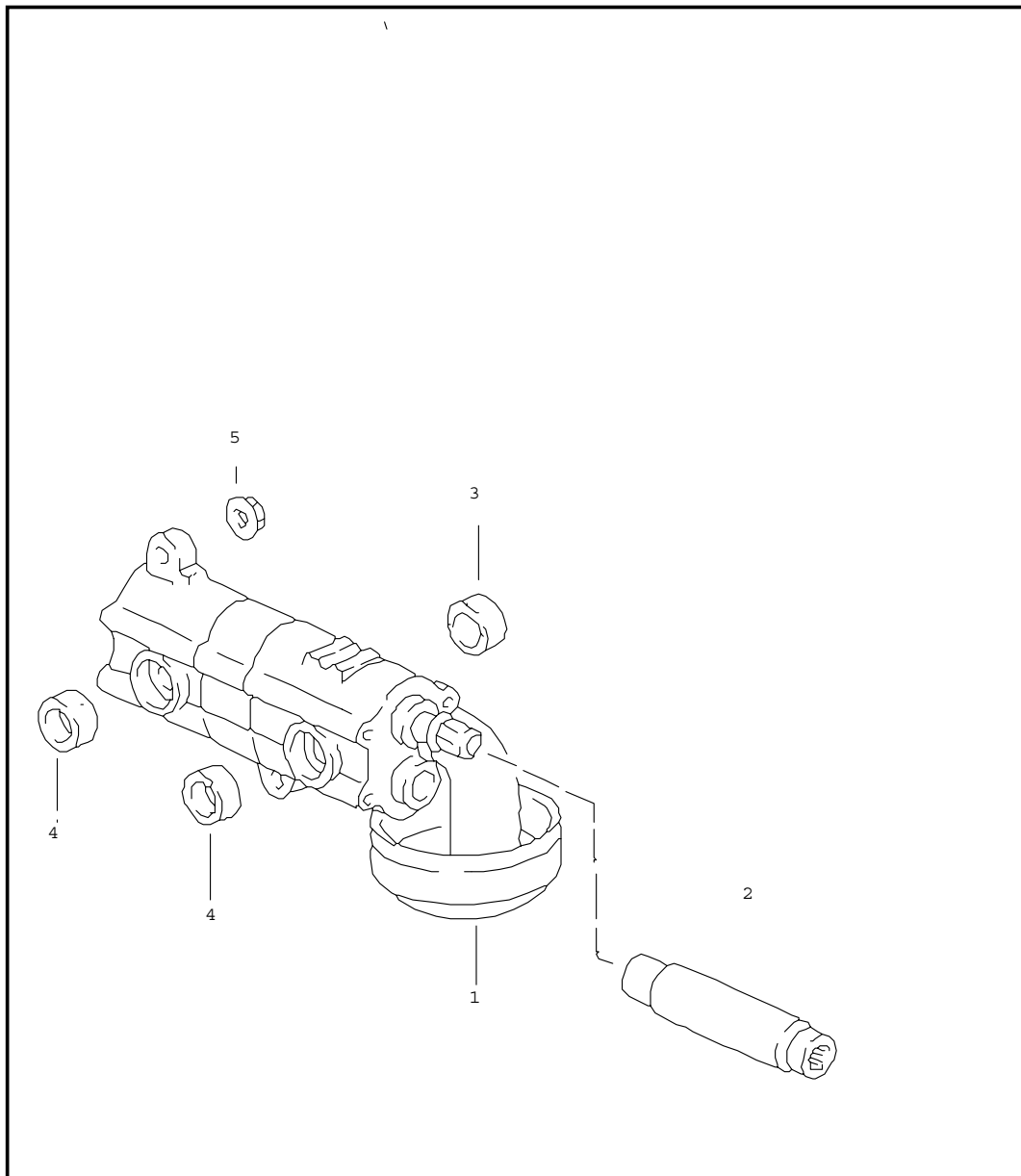


Pos	Part Number	Name	Remarks	Qty	Model
		valve control			
1	996 105 020 71	camshaft intake cylinder 4-6		1	
2	996 105 213 71	camshaft exhaust		2	
3	996 105 019 71	camshaft intake cylinder 1-3		1	
4	996 105 051 73	actuator		2	
5	900 378 087 09	hexagon socket head bolt M 12 X 1,5 X 120		2	
6	996 105 178 91	sprocket		2	
7	996 105 647 80	washer		2	
8	959 105 161 00	drive plate		1	
9	959 105 161 01	drive plate		1	
10	996 105 313 90	pan-head screw		2	
11	996 105 911 70	intermediate shaft with timing gear size 0		1	
11	996 105 911 71	intermediate shaft with timing gear size 1		1	
12	900 041 026 01	circlip 13 X 1		1	
13	993 105 275 52	plug		1	
14	900 041 025 01	circlip 36 X 1,75		2	
15	996 101 137 80	bearing		2	
16	996 101 435 70	bearing shell		2	
17	901 105 125 04	sprocket		2	
18	996 105 165 71	tensioner blade		2	
19	964 105 171 02	pin		4	

Model	Year	MG	SG	Illustration	Restrictions	Update	11:56	25.11.2005	PORSCHE	PET	PORSCHE
996t	05	1	03	103-15		194					

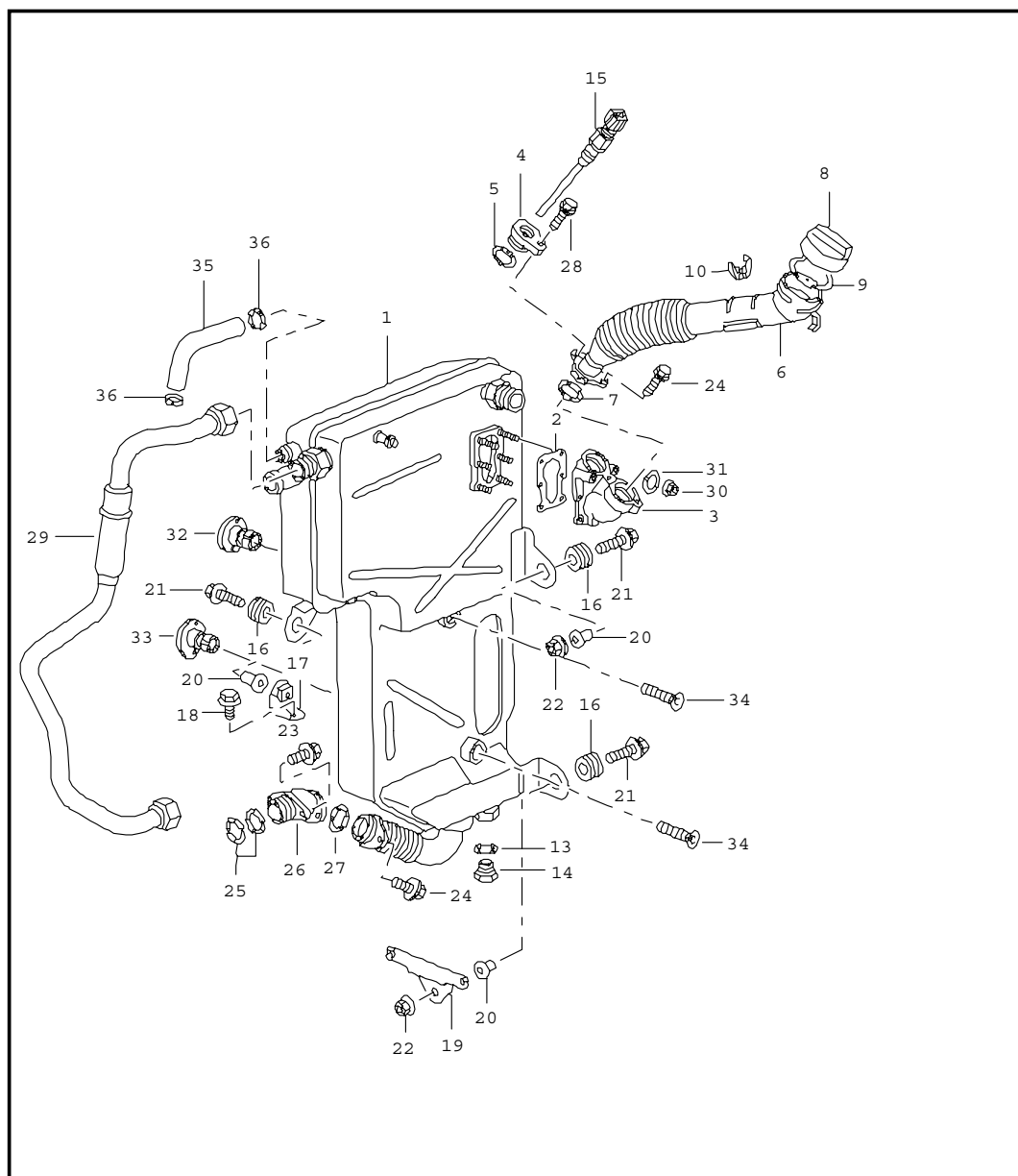
Pos	Part Number	Name	Remarks	Qty	Model	Pos	Part Number	Name	Remarks	Qty	Model
20	A 900 123 131 30	sealing ring		6							
(20)	900 123 152 30	sealing ring		6							
21	996 105 167 70	guide piece	/L	1							
(21)	996 105 166 70	guide piece	/R	1							
22	959 105 175 01	pin		2							
23	996 105 552 71	timing chain		2							
24	996 105 037 74	guide piece	/L	1							
25	996 105 038 74	guide piece	/R	1							
26	900 378 157 09	hexagon-head bolt AM 6 X 25		6							
27	900 378 030 09	hexagon-head bolt M 6 X 20		8							
28	900 118 010 00	woodruff key 6,0 X 7,5		2							
29	996 105 255 20	hydraulic valve tappet intake		12							
30	996 105 041 72	hydraulic valve tappet exhaust		12							
--	996 105 280 74	ring		6							
		- - - E N D - - -									

Model	Year	MG	SG	Illustration	Restrictions	Update	11:56	25.11.2005	PORSCHE	PET	PORSCHE
996t	05	1	04	104-00		194					



Pos	Part Number	Name	Remarks	Qty	Model
		oil pump			
1	996 107 008 70	oil pump		1	
(1) K	996 107 007 93	oil pump		1	GT2 X50
2	930 107 143 03	connecting shaft		1	
3	999 704 173 50	sealing ring 19,5 X 26		1	
4	999 704 172 50	sealing ring 16,3 X 22		2	
5	900 380 005 09	lock nut M 8		3	
- - - E N D - - -					

Model	Year	MG	SG	Illustration	Restrictions	Update	11:56	25.11.2005	PORSCHE	PET	PORSCHE
996t	05	1	04	104-05		194					

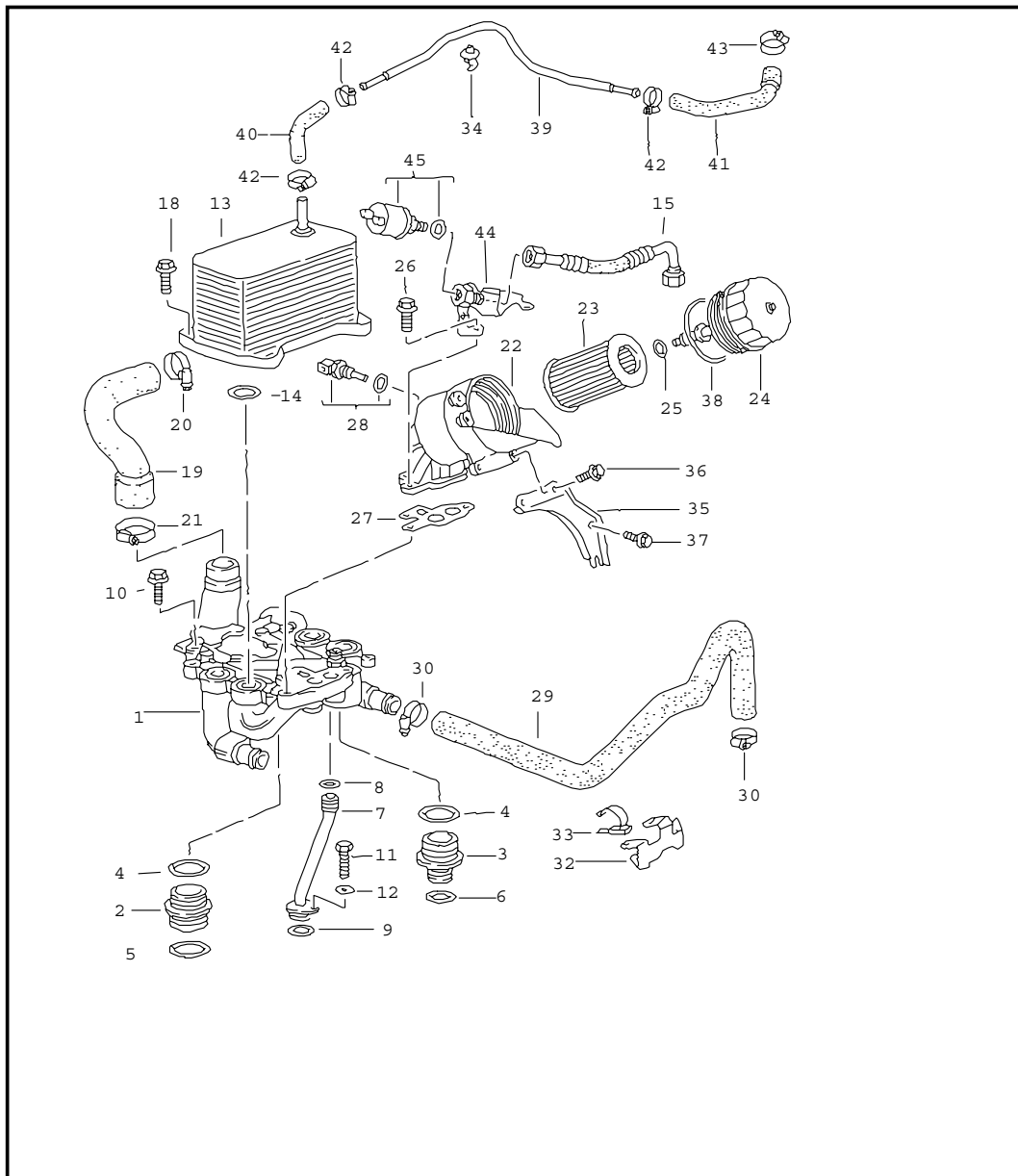


Pos	Part Number	Name	Remarks	Qty	Model
		engine lubrication oil tank			
1	996 207 070 72	oil tank		1	
2	993 207 226 00	gasket		1	
3	996 207 150 72	intermediate piece		1	
4	996 207 212 70	flange		1	
5	999 707 343 40	o-ring 25,07 X 2,62		1	
6	996 207 016 70	filler tube		1	
(6)	996 107 150 59	filler tube		1	
7	999 707 481 40	o-ring 24 X 3,0		1	
8 A	996 107 035 50	cover		1	
(8)	996 107 035 51	cover		1	
9 A	999 707 285 40	o-ring 51 X 4,5		1	
(9)	996 107 336 00	gasket		1	
10	996 113 250 71	retaining bracket for filler tube		1	
13	900 123 010 20	sealing ring		1	
14	900 065 018 00	screw plug		1	
15	996 606 140 00	oil-level sender		1	
16	999 702 193 40	grommet 17,0 X 24,0 X 1,8		3	
17	996 207 407 72	support		1	
18	900 378 074 09	hexagon-head bolt M 8 X 16		1	
19	996 207 417 73	support		1	
20	999 209 037 02	spacer sleeve 8,4 X 1,8		3	
21	900 378 108 09	hexagon-head bolt AM 8 X 35		3	
22	999 084 210 02	hexagon nut M 8		2	

Model	Year	MG	SG	Illustration	Restrictions	Update	11:56	25.11.2005	PORSCHE	PET	PORSCHE
996t	05	1	04	104-05		194					

Pos	Part Number	Name	Remarks	Qty	Model	Pos	Part Number	Name	Remarks	Qty	Model
23	N 014 726 1	pan-head screw M 8 X 30		1							
24	900 378 035 09	hexagon-head bolt M 6 X 16		3							
25	999 707 316 40	o-ring 21,89 X 2,62		2							
26	996 207 012 74	intake connection		1							
27	999 707 364 40	o-ring 30 X 2,5		1							
28	900 378 030 09	hexagon-head bolt M 6 X 20		1							
29	996 107 027 73	return line		1							
30	900 377 019 02	hexagon nut M 5		6							
32	996 207 207 71	spacer		1							
33	996 207 206 71	spacer		1							
34	900 249 061 09	countersunk-head screw M 12 X 40		2							
35	996 207 137 70	hose		1							
36	999 512 346 00	hose clamp 16 - 27/9		2							
		- - - E N D - - -									

Model	Year	MG	SG	Illustration	Restrictions	Update	11:57	25.11.2005	PORSCHE	PET	PORSCHE
996t	05	1	04	104-10		194					

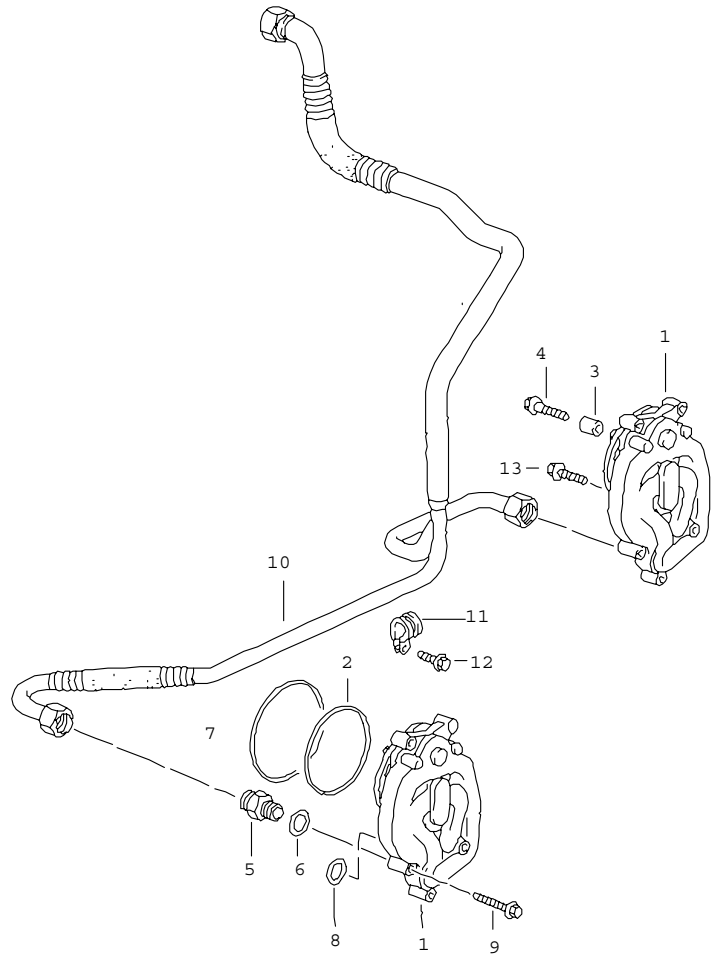


Pos	Part Number	Name	Remarks	Qty	Model
1	996 107 033 73	oil filter bracket		1	
2	996 107 441 71	socket		1	
3	996 107 451 72	socket		1	
4	999 707 422 40	o-ring 32,92 X 3,53		2	
5	999 707 426 40	o-ring 37,69 X 3,53		1	
6	999 707 113 40	o-ring 20,22 X 3,53		1	
7	996 107 311 72	return pipe		1	
8	999 701 789 40	o-ring 12,00 X 2,00		1	
9	999 707 446 40	o-ring 18,00 X 2,5		1	
10	900 075 341 02	hexagon-head bolt M 6 X 25		4	
11	900 378 177 09	hexagon-head bolt M 6 X 30		1	
12	N 011 524 7	washer A 6,4		1	
13	996 107 025 71	heat exchanger		1	
14	999 707 409 40	o-ring 26,00 X 3,00		4	
15	996 107 226 71	oil pipe		1	
18	900 378 035 09	hexagon-head bolt M 6 X 16		4	
19	996 207 143 70	breather hose		1	
20	999 512 252 02	hose clamp 23 - 35/9		3	
21	999 512 348 02	hose clamp 40 - 60/9		1	
22	996 107 201 74	housing		1	
23 A	996 107 225 52	filter element		1	
23	996 107 225 53	filter element		1	

Model	Year	MG	SG	Illustration	Restrictions	Update	11:57	25.11.2005	PORSCHE	PET	PORSCHE
996t	05	1	04	104-10		194					

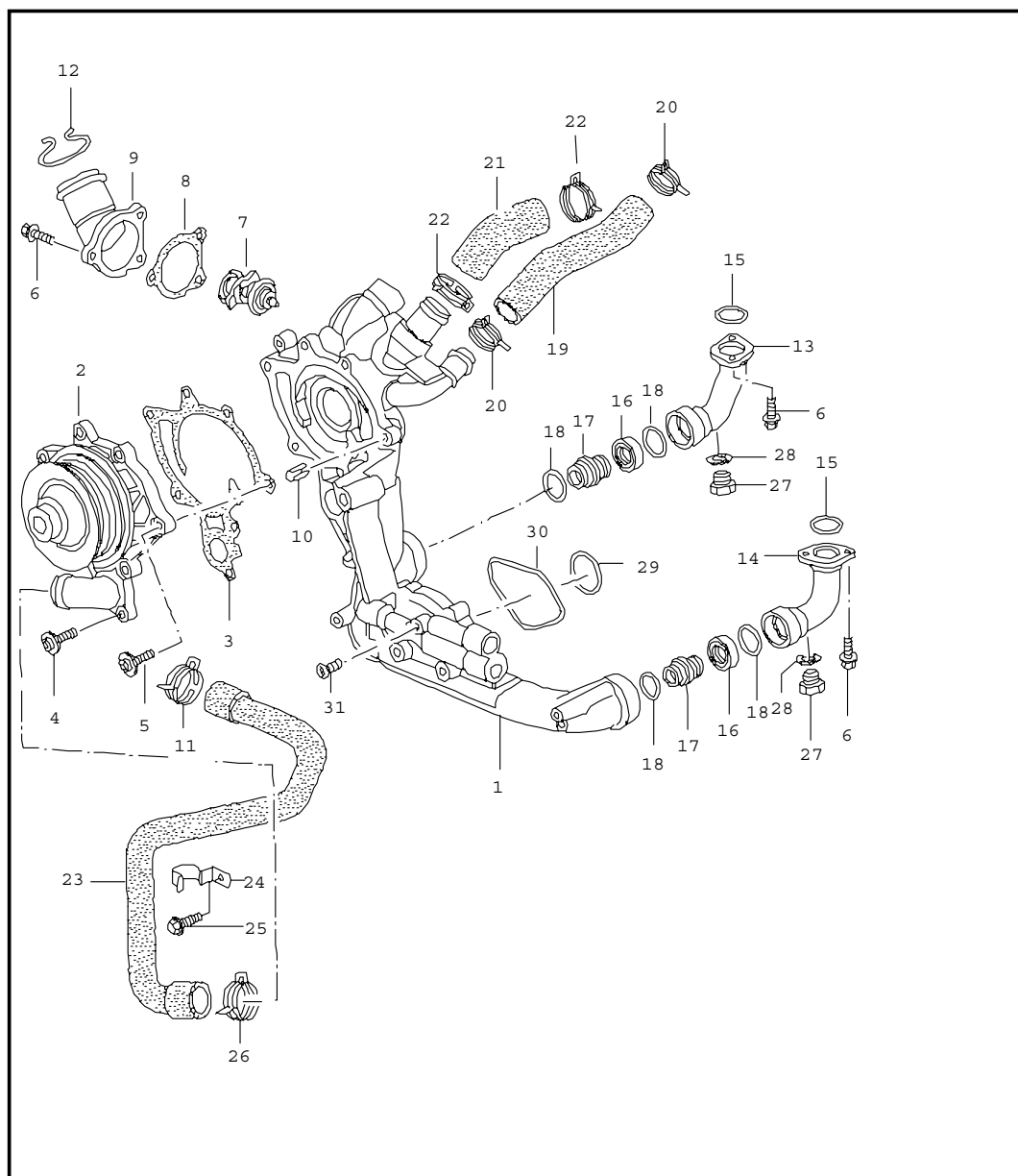
Pos	Part Number	Name	Remarks	Qty	Model	Pos	Part Number	Name	Remarks	Qty	Model
24	996 107 285 70	DECKEL		1							
25	999 707 465 40	o-ring 10 X 2		1							
26	900 378 022 09	hexagon-head bolt AM 8 X 25		3							
27	996 107 217 70	gasket		1							
28	996 606 410 00	temperature sensor		1							
29	996 106 328 72	hose return		1							
30	999 512 356 02	hose clamp 25 - 40		2							
32	996 106 551 70	support		1							
33	999 651 300 40	clamp		1							
34	999 507 699 40	holder		1							
35	996 107 301 72	support		1							
36	900 378 108 09	hexagon-head bolt AM 8 X 35		2							
37	900 378 013 09	hexagon-head bolt AM 6 X 25		2							
38	996 107 313 51	o-ring		1							
39	996 106 229 73	vent line		1							
40	996 106 537 72	breather hose		1							
41	996 106 531 73	breather hose		1							
42	999 512 427 02	hose clamp 8 - 16 / 9		3							
43	999 512 554 00	hose clamp 12 - 22 / 9		1							
44	996 107 032 70	support		1							
45	996 606 203 00	oil pressure sender		1							
		- - - E N D - - -									

Model	Year	MG	SG	Illustration	Restrictions	Update	11:57	25.11.2005	PORSCHE	PET	PORSCHE
996t	05	1	04	104-20		194					



Pos	Part Number	Name	Remarks	Qty	Model
		oil supply return			
1	996 107 021 72	oil pump		2	
2	999 707 425 40	o-ring 85,32 X 3,53		2	
3	996 104 117 50	dowel sleeve		4	
4	900 378 177 09	hexagon-head bolt M 6 X 30		4	
5	900 915 006 02	union A 15		2	
6	900 123 106 30	sealing ring A 18 X 24		2	
7	999 707 482 40	o-ring 90,00 X 2,5		2	
8	999 707 499 40	o-ring 21,00 X 3,00		4	
9	900 378 174 09	hexagon-head bolt M 6 X 35		6	
10	996 107 019 72	return line		1	
11	999 511 250 02	clamp		1	
12	900 378 036 09	hexagon-head bolt M 6 X 12		1	
13	900 378 013 09	hexagon-head bolt M 6 X 25		4	
- - - E N D - - -					

Model	Year	MG	SG	Illustration	Restrictions	Update	11:57	25.11.2005	PORSCHE	PET	PORSCHE
996t	05	1	05	105-00		194					

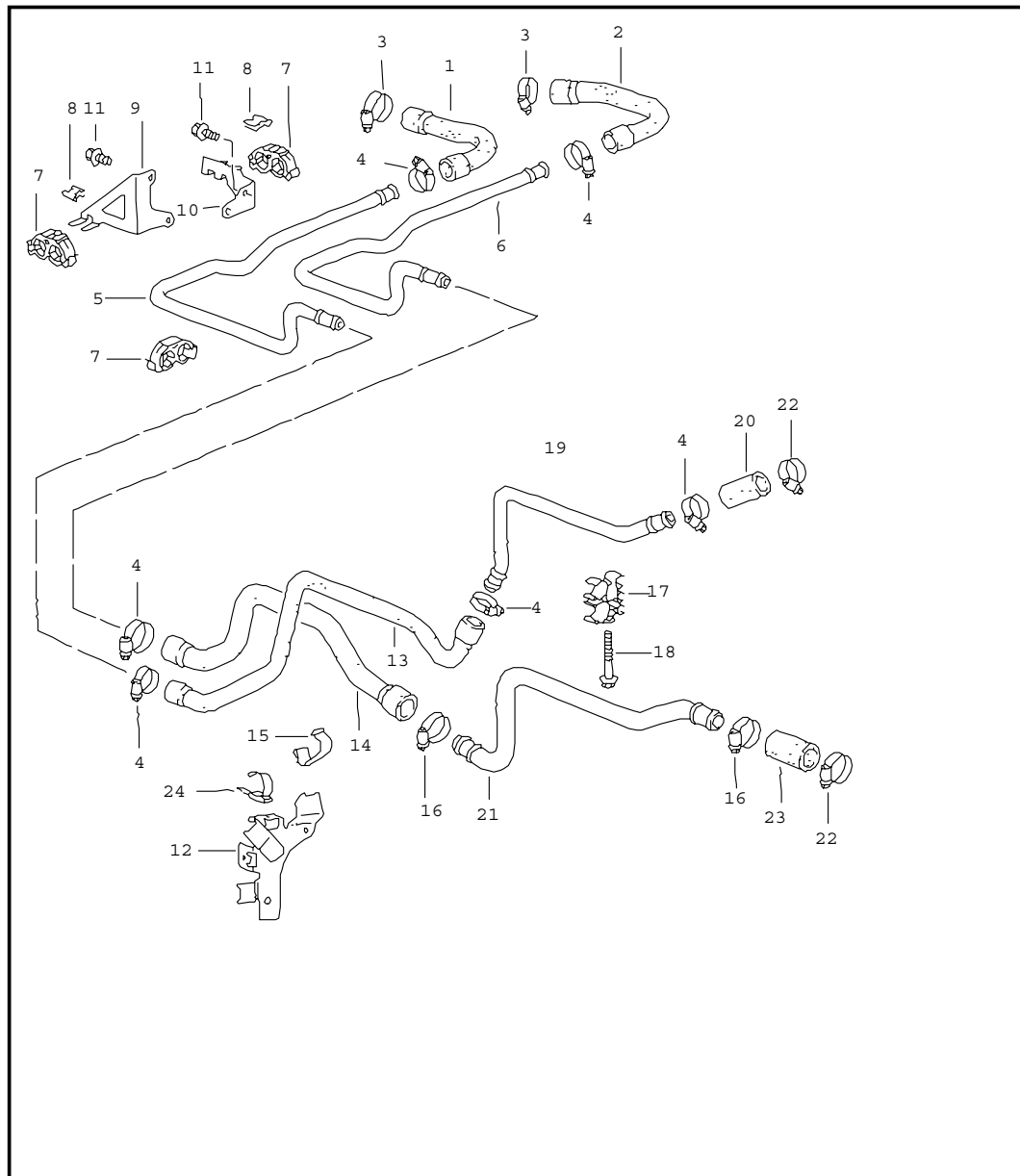


Pos	Part Number	Name	Remarks	Qty	Model
		water pump			
		water pump housing			
1	996 106 002 70	water pump housing		1	
2	996 106 011 72	water pump		1	
3	996 106 340 71	gasket		1	
4	999 073 188 09	oval-head screw M 6 X 25		5	
5	999 073 110 09	oval-head screw M 6 X 30		2	
6	900 378 030 09	hexagon-head bolt AM 6 X 20		7	
7	996 106 125 70	thermostat insert		1	
8	996 106 326 70	gasket		1	
9	996 106 121 71	cover		1	
10	996 106 103 50	dowel sleeve 8,2 X 7		2	
11	999 512 356 02	hose clamp		1	
12	996 106 802 10	retainer spring		1	
13	996 106 139 71	connection piece		1	
14	996 106 140 71	connection piece		1	
15	999 707 410 40	o-ring 39,20 X 3,00		2	
16	996 106 214 70	protective ring		2	
17	996 106 238 71	socket		2	
18	999 707 411 40	o-ring 28,00 X 4,50		4	
19	996 106 477 73	hose		1	
20	999 512 551 00	hose clamp 29 X 12		2	
21	996 106 529 71	hose		1	
22	999 512 356 02	hose clamp 35 X 12		2	
23	996 106 250 72	hose		1	
24	996 106 550 70	support		1	

Model	Year	MG	SG	Illustration	Restrictions	Update	11:57	25.11.2005	PORSCHE	PET	PORSCHE
996t	05	1	05	105-00		194					

Pos	Part Number	Name	Remarks	Qty	Model	Pos	Part Number	Name	Remarks	Qty	Model
25	900 378 036 09	hexagon-head bolt M 6 X 12		1							
26	999 512 356 02	hose clamp 36 X 12		1							
27	900 219 007 02	screw plug M 10 X 1		2							
28	900 123 144 30	sealing ring A 10 X 13,5		2							
29	999 707 315 40	round seal 33,3 X 2,4		1							
30	999 707 468 40	round seal 68 X 2		1							
31	999 073 013 02	countersunk-head screw M 6 X 10		1							
		- - - E N D - - -									

Model	Year	MG	SG	Illustration	Restrictions	Update	11:57	25.11.2005	PORSCHE	PET	PORSCHE
996t	05	1	05	105-03		194					

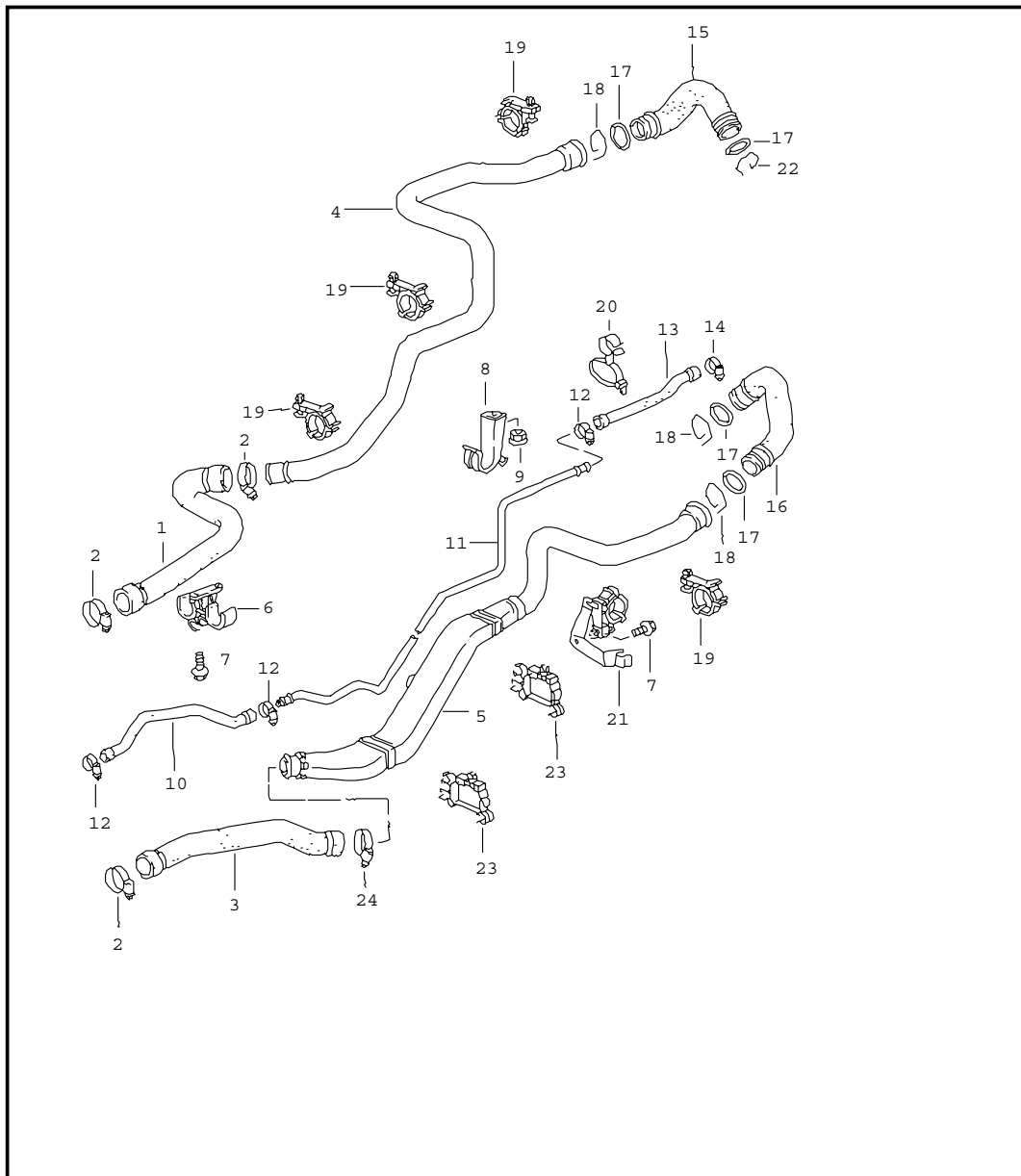


Pos	Part Number	Name	Remarks	Qty	Model
1	996 106 212 72	lines heating hose supply		1	
2	996 106 222 72	hose return		1	
3	999 512 552 00	hose clamp 25 X 12		2	
4	999 512 657 09	hose clamp 26 X 12		6	
5	996 106 312 72	water tube supply		1	
6	996 106 322 72	water tube return		1	
7	999 507 700 41	hose holder 19		3	
8	999 507 701 02	u-clamp 14 X 18 X 24,5		4	
9	996 106 533 72	support	/L	1	M 249
(9)	996 106 535 72	support	/L	1	M 480
10	996 106 534 71	support	/R	1	M 249
(10)	996 106 536 71	support	/R	1	M 480
11	900 378 036 09	hexagon-head bolt M 6 X 12		4	
12	996 106 523 74	support		1	M 249
(12)	996 106 526 72	support		1	M 480
13	996 106 432 72	hose supply		1	M 249
(13)	996 106 434 72	hose supply		1	M 480
14	996 106 422 72	hose return		1	M 249
(14)	996 106 424 72	hose return		1	M 480
(14)	996 106 422 75	hose return		1	GT2
15	999 507 720 02	hose holder		3	

Model	Year	MG	SG	Illustration	Restrictions	Update	11:57	25.11.2005	PORSCHE	PET	PORSCHE
996t	05	1	05	105-03		194					

Pos	Part Number	Name	Remarks	Qty	Model	Pos	Part Number	Name	Remarks	Qty	Model
16	999 512 551 00	hose clamp 32 X 12		2							
17	996 106 455 71	support		2							
18	900 378 113 09	hexagon-head bolt AM 6 X 45		2							
19	996 106 052 70	water tube supply		1							
--	999 511 744 40	spacer sleeve		1							
20	996 106 233 72	hose supply		1							
21	996 106 254 71	water tube return		1							
22	999 512 356 02	hose clamp 25 - 40/9		2							
23	996 106 512 72	hose return		1							
24	999 651 300 40	hose holder		2							
		- - - E N D - - -									

Model	Year	MG	SG	Illustration	Restrictions	Update	11:57	25.11.2005	PORSCHE	PET	PORSCHE
996t	05	1	05	105-05		194					

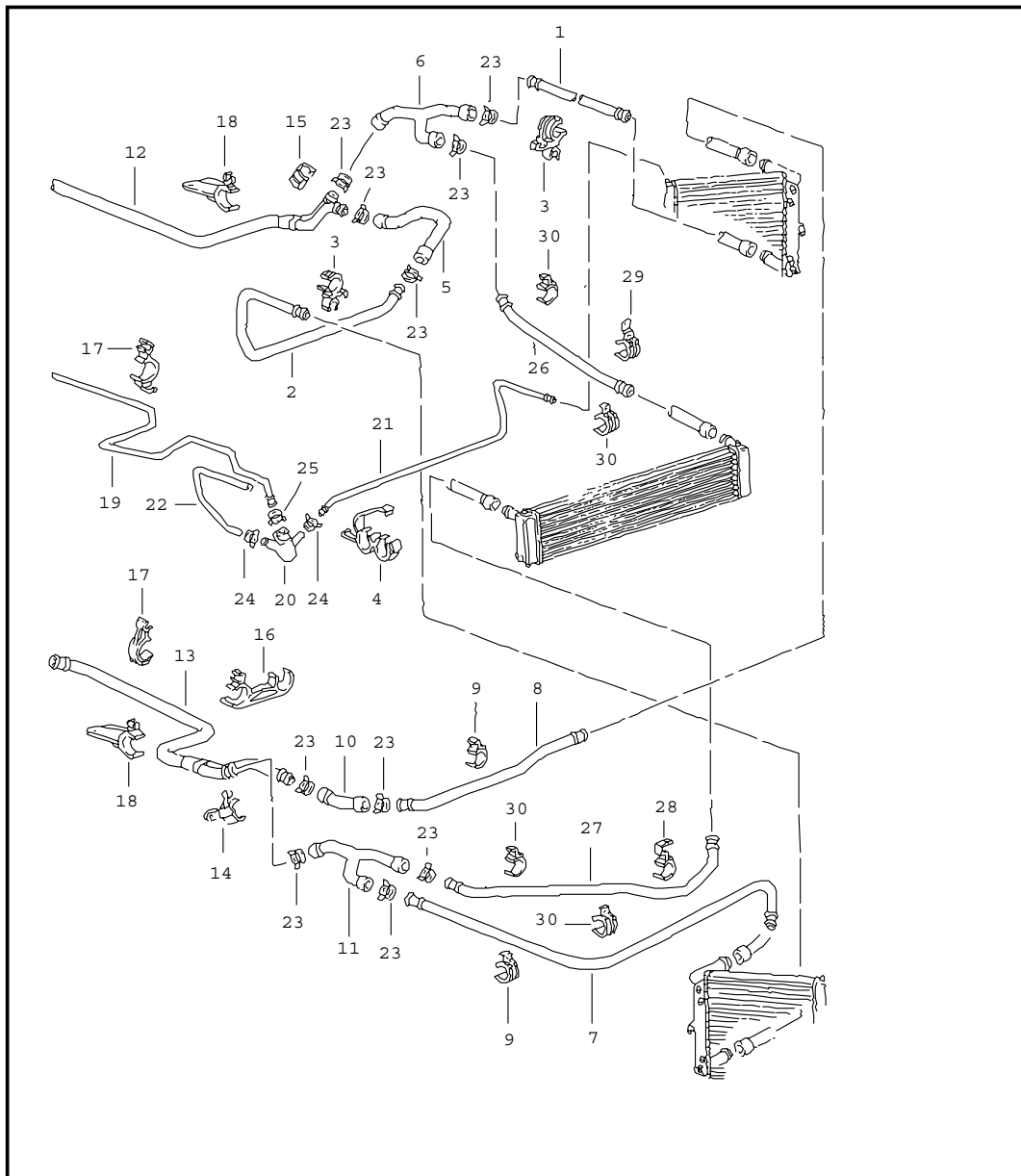


Pos	Part Number	Name	Remarks	Qty	Model
		water cooling 1			
1	996 106 740 71	hose		1	
(1)	996 106 740 91	hose		1	GT2
2	999 512 348 02	hose clamp 49 X 12		3	
3	996 106 741 72	hose		1	M 480
(3)	996 106 641 75	hose		1	GT2
(3)	996 106 742 72	hose		1	M 249
4	996 106 610 73	water tube		1	
5	996 106 069 70	water tube		1	
6	996 106 427 70	support		1	
7	900 378 123 09	hexagon-head bolt M 6 X 12		2	
8	996 106 417 51	support		2	
9	900 377 010 09	hexagon nut M 6		2	
10	996 106 336 72	breather hose		1	
(10) K	996 106 136 91	breather hose		1	GT2
11	996 106 681 74	vent line		1	
(11)	996 106 127 53	vent line		1	GT2
12	999 512 554 00	hose clamp 20 X 12		3	
13	996 106 251 71	breather hose		1	
14	999 512 657 09	hose clamp 26 X 12		2	
15	996 106 501 74	hose		1	
16	996 106 502 74	hose		1	
17	996 106 801 03	o-ring		4	
18	996 106 802 11	retainer spring		3	
19	996 106 417 73	support		5	
20	999 511 237 40	hose holder 10-52/-18		2	

Model	Year	MG	SG	Illustration	Restrictions	Update	11:57	25.11.2005	PORSCHE	PET	PORSCHE
996t	05	1	05	105-05		194					

Pos	Part Number	Name	Remarks	Qty	Model	Pos	Part Number	Name	Remarks	Qty	Model
21	996 106 509 71	support		1							
22	996 106 802 10	retainer spring		1							
23	996 106 429 71	support		2							
24	999 512 348 02	hose clamp 53 X 12		1							
		- - - E N D - - -									

Model	Year	MG	SG	Illustration	Restrictions	Update	11:58	25.11.2005	PORSCHE	PET	PORSCHE
996t	05	1	05	105-12		194					

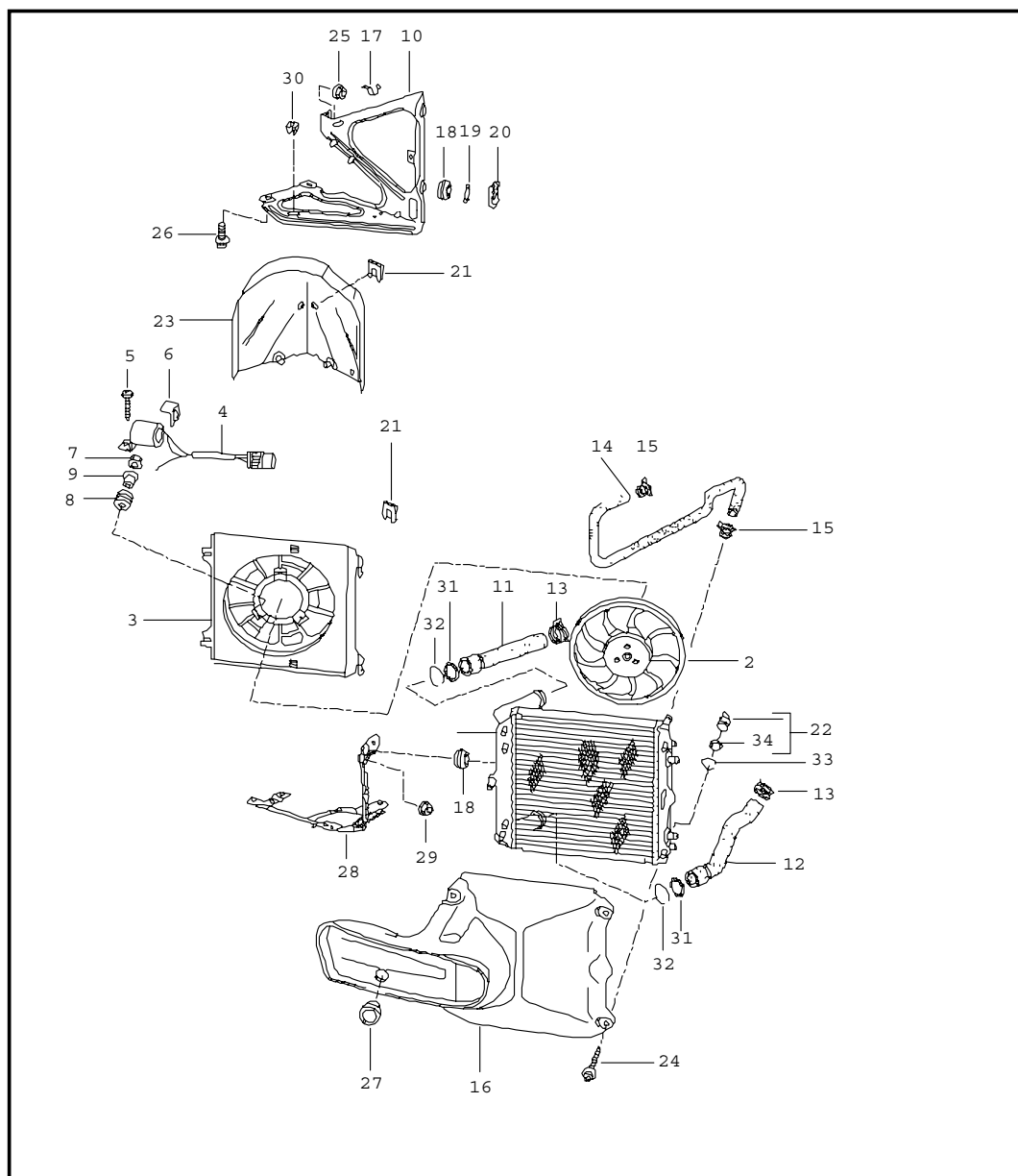


Pos	Part Number	Name	Remarks	Qty	Model
		water cooling 2			
1	996 106 611 53	water tube supply	/R 00	1	
2	996 106 711 03	water tube supply	/L	1	
(2)	996 106 615 54	water tube		1	GT2
3	996 106 414 55	support		4	
4	996 106 525 04	support		2	
5	996 106 723 02	hose supply	/R	1	
(5)	996 106 623 53	hose		1	GT2
6	996 106 724 72	hose supply	/R	1	
(6)	996 106 627 52	hose		1	GT2
7	996 106 715 01	water tube return	/L	1	
(7)	996 106 611 53	water tube		1	GT2
8	996 106 720 71	water tube return	/R	1	
(8)	996 106 615 54	water tube		1	GT2
9	996 106 419 52	support		3	
10	996 106 727 03	hose return	/L	1	
(10)	996 106 627 52	hose		1	GT2
11	996 106 728 72	hose return	/L	1	
(11)	996 106 624 53	return		1	GT2
12	996 106 752 03	water tube supply	99-	1	
(12)	996 106 652 54	water tube		1	GT2
13	996 106 751 04	water tube return	99-	1	
(13)	996 106 651 54	water tube		1	GT2
14	996 106 513 01	support	/L	1	

Model	Year	MG	SG	Illustration	Restrictions	Update	11:58	25.11.2005	PORSCHE	PET	PORSCHE
996t	05	1	05	105-12		194					

Pos	Part Number	Name	Remarks	Qty	Model	Pos	Part Number	Name	Remarks	Qty	Model
15	996 106 514 00	support	/R	1							
16	996 106 540 00	support		1							
17	996 106 515 01	support		2							
18	996 106 520 01	support		2							
19	996 106 227 72	vent line		1							
(19)	996 106 127 53	vent line		1	GT2						
20	996 106 647 04	breather hose		1							
(20)	996 106 546 54	y-piece		1	GT2						
21	996 106 766 71	vent line	/R	1							
(21)	996 106 126 54	vent line	/R	1	GT2						
22	996 106 765 71	vent line	/L	1							
(22)	996 106 225 54	vent line	/L	1	GT2						
23	999 512 499 00	hose clamp 40 X 12		8							
24	999 512 554 00	hose clamp 12 - 22 MM		2							
25	999 512 554 00	hose clamp 12 - 22 MM		1							
26	996 106 725 71	water tube	/L	1							
27	996 106 730 71	water tube	/R	1							
28	996 106 574 71	support	/R	1							
29	996 106 573 71	support	/L	1							
30	996 106 473 70	support		4							
		- - - E N D - - -									

Model	Year	MG	SG	Illustration	Restrictions	Update	11:58	25.11.2005	PORSCHE	PET	PORSCHE
996t	05	1	05	105-15		194					

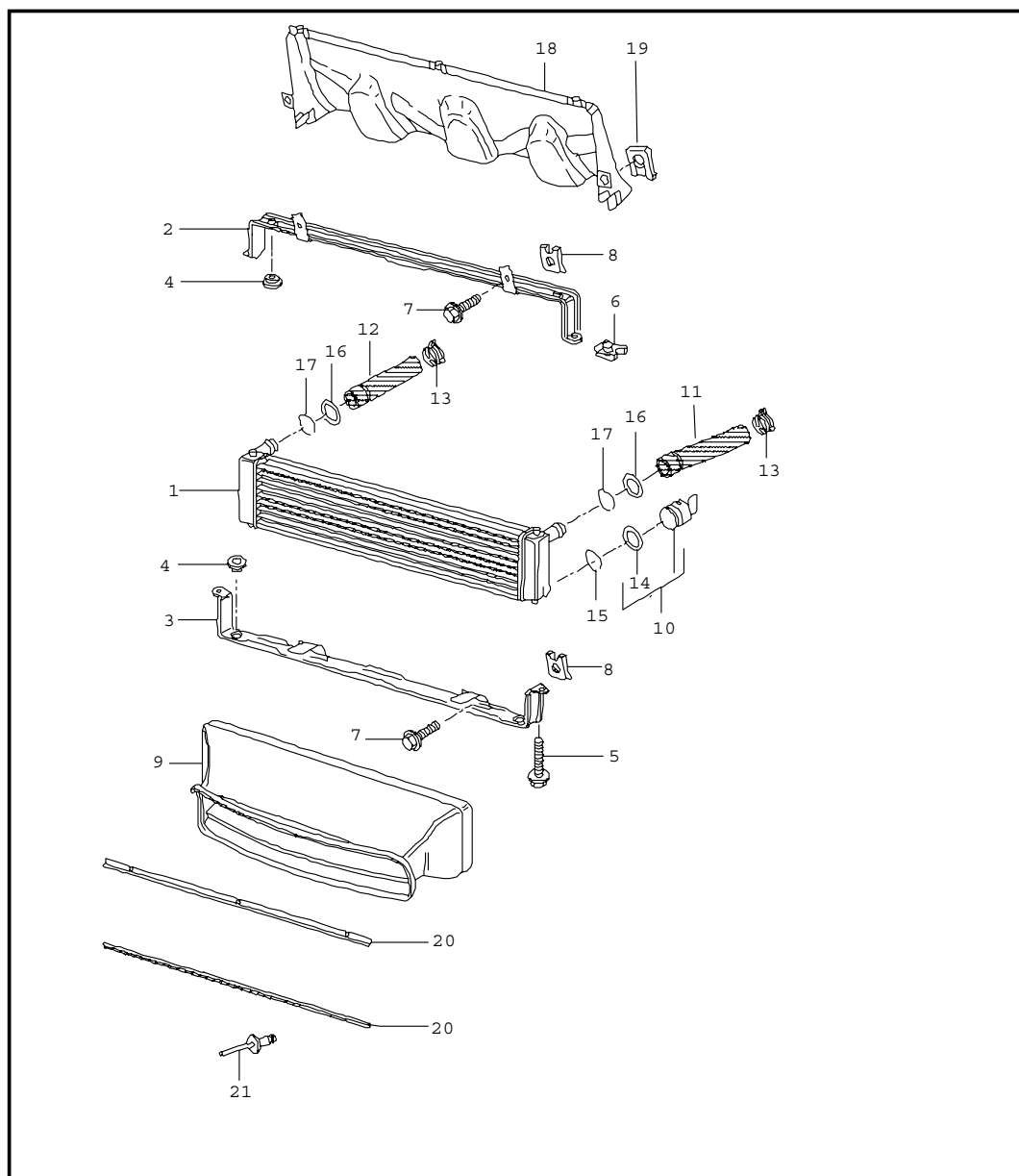


Pos	Part Number	Name	Remarks	Qty	Model
		water cooling 3			
1	A 996 106 131 71	radiator		2	
1	996 106 131 72	radiator	/L	1	
(1)	996 106 132 70	radiator	/R	1	
2	996 624 127 00	fan		2	
3	996 624 137 00	air box		2	
4	996 624 141 00	series resistor		2	
5	996 624 145 00	oval-head screw		2	
6	996 624 143 00	support		2	
7	900 377 010 09	hexagon nut		6	
8	996 624 173 00	rubber mounting		6	
9	999 209 049 02	spacer sleeve		6	
10	996 504 155 00	bracket	/L	1	
10	996 504 523 30	support	/L	1	GT2
(10)	996 504 156 00	bracket	/R	1	
(10)	996 504 524 30	support	/R	1	GT2
11	996 106 621 74	hose		2	
(11)	996 106 621 75	hose with one conectio radiator centre	/R	1	GT2
12	A 996 106 625 74	hose	/L	1	
12	996 106 625 78	hose	/L	1	
(12)	996 106 625 75	hose with one conectio radiator centre	/L	1	GT2
(12)	996 106 626 74	hose	/R	1	
13	999 512 552 00	hose clamp 20 - 32 X 9		4	
14	996 106 137 75	breather hose	/L	1	
(14)	996 106 138 78	breather hose	/R	1	

Model	Year	MG	SG	Illustration	Restrictions	Update	11:58	25.11.2005	PORSCHE	PET	PORSCHE
996t	05	1	05	105-15		194					

Pos	Part Number	Name	Remarks	Qty	Model	Pos	Part Number	Name	Remarks	Qty	Model
(14)	996 106 138 75	breather hose with one conectio radiator centre	/R	1	GT2	31	996 106 801 02	o-ring		4	
15	996 106 802 15	retainer spring		4		32	996 106 802 16	retainer spring		4	
16	996 575 321 02	air duct	/L	1		33	996 106 802 15	retainer spring		2	
16 K	996 575 321 30	air duct	/L	1	GT2	34	996 106 801 00	o-ring		2	
(16)	996 575 322 02	air duct	/R	1		35	996 624 157 00	air flap	/L	1	
(16) K	996 575 322 30	air duct	/R	1	GT2	(35)	996 624 158 00	air flap	/R	1	
17	999 651 305 02	cable holder		2		36	996 624 159 00	air flap	/L	1	
18	999 702 214 40	rubber sleeve 14 X 20,5 X 7,5		6		(36)	996 624 160 00	air flap	/R	1	
19	999 025 255 02	washer		4		37	996 624 161 00	air flap	/L	1	
20	999 166 083 09	safety clip B 25		4		(37)	996 624 162 00	air flap	/R	1	
21	999 166 077 02	safety clip B 22		6		38	996 624 163 00	air flap	/L	1	
22	996 106 545 71	plug		4		(38)	996 624 164 00	air flap	/R	1	
23	996 575 351 00	air duct	/L	1		--	996 575 352 30	air duct		1	GT2
(23)	996 575 352 00	air duct	/R	1		--	996 575 351 30	air duct		1	
24	999 919 134 09	oval-head screw 6,0 X 16		4				- - - E N D - - -			
25	999 084 630 09	hexagon nut M 8		2							
26	900 378 074 09	hexagon-head bolt M 8 X 16		4							
27	999 702 214 40	grommet 14 X 20,5 X 7,5		2							
(27)	803 803 583	cover 30,0 X 40,0	/R	1							
28	996 504 523 01	support	/L	1							
(28)	996 504 524 01	support	/R	1							
29	900 377 003 02	hexagon nut M 8		4							
30	999 507 590 02	captive nut		1							

Model	Year	MG	SG	Illustration	Restrictions	Update	11:58	25.11.2005	PORSCHE	PET	PORSCHE
996t	05	1	05	105-17		194					

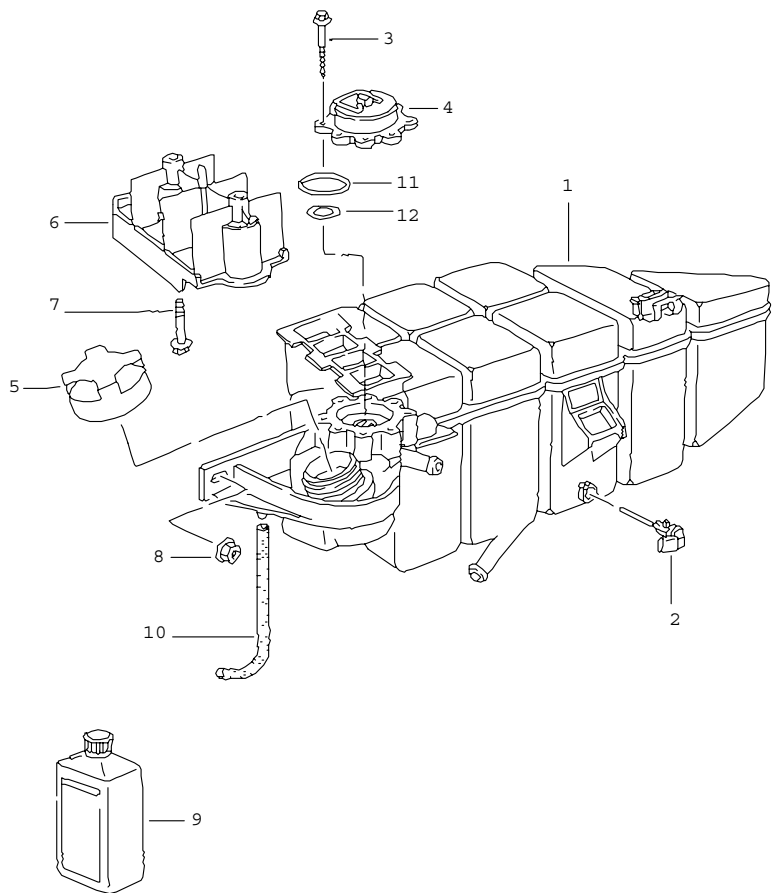


Pos	Part Number	Name	Remarks	Qty	Model
		radiator centre			
1	996 106 037 73	radiator		1	
2	996 504 495 00	retaining frame		1	
(2)	996 504 195 30	bracket upper		1	GT 2
-	996 504 679 31	spacer sleeve		2	GT 2
3	996 504 493 00	retaining frame		1	
(3)	996 504 413 30	bracket lower		1	GT 2
4	930 113 430 00	rubber mounting		4	
5	900 378 036 09	hexagon-head bolt M 6 X 12		2	
6	999 507 550 02	BLECHMUTTER M 6		2	
7	900 378 074 09	hexagon-head bolt M 8 X 16		4	
8	999 591 869 02	speed nut M 8		4	
9	996 575 141 03	air duct		1	
9 K	996 575 141 30	air duct		1	GT2
10	996 106 545 71	plug		1	
11	996 106 639 73	water hose		1	
12	996 106 638 73	water hose		1	
13	999 512 551 00	hose clamp 32 X 12		2	
14	996 106 801 00	o-ring		1	
15	996 106 802 15	retainer spring		1	
16	996 106 801 05	o-ring		2	
17	996 106 802 17	retainer spring		2	
18	996 575 151 01	air duct		1	TURBO
19	999 166 076 02	safety clip		2	
20	996 575 761 00	attachment strip		2	

Model	Year	MG	SG	Illustration	Restrictions	Update					
996t	05	1	05	105-17		194	11:58	25.11.2005	PORSCHE	PET	PORSCHE

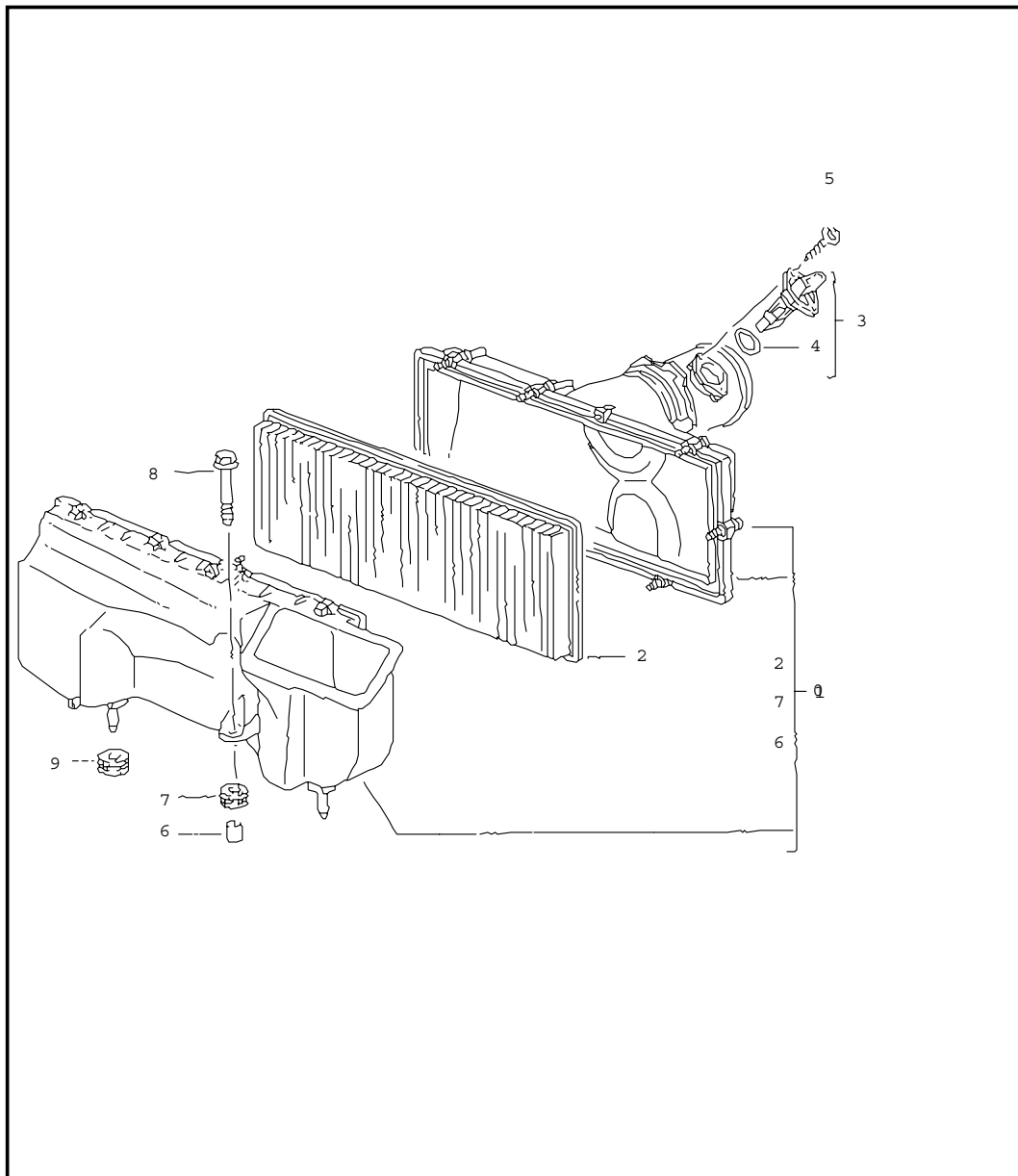
Pos	Part Number	Name	Remarks	Qty	Model	Pos	Part Number	Name	Remarks	Qty	Model
21	999 190 419 30	blind rivet		6							
		- - - E N D - - -									

Model	Year	MG	SG	Illustration	Restrictions	Update	11:58	25.11.2005	PORSCHE	PET	PORSCHE
996t	05	1	05	105-20		194					



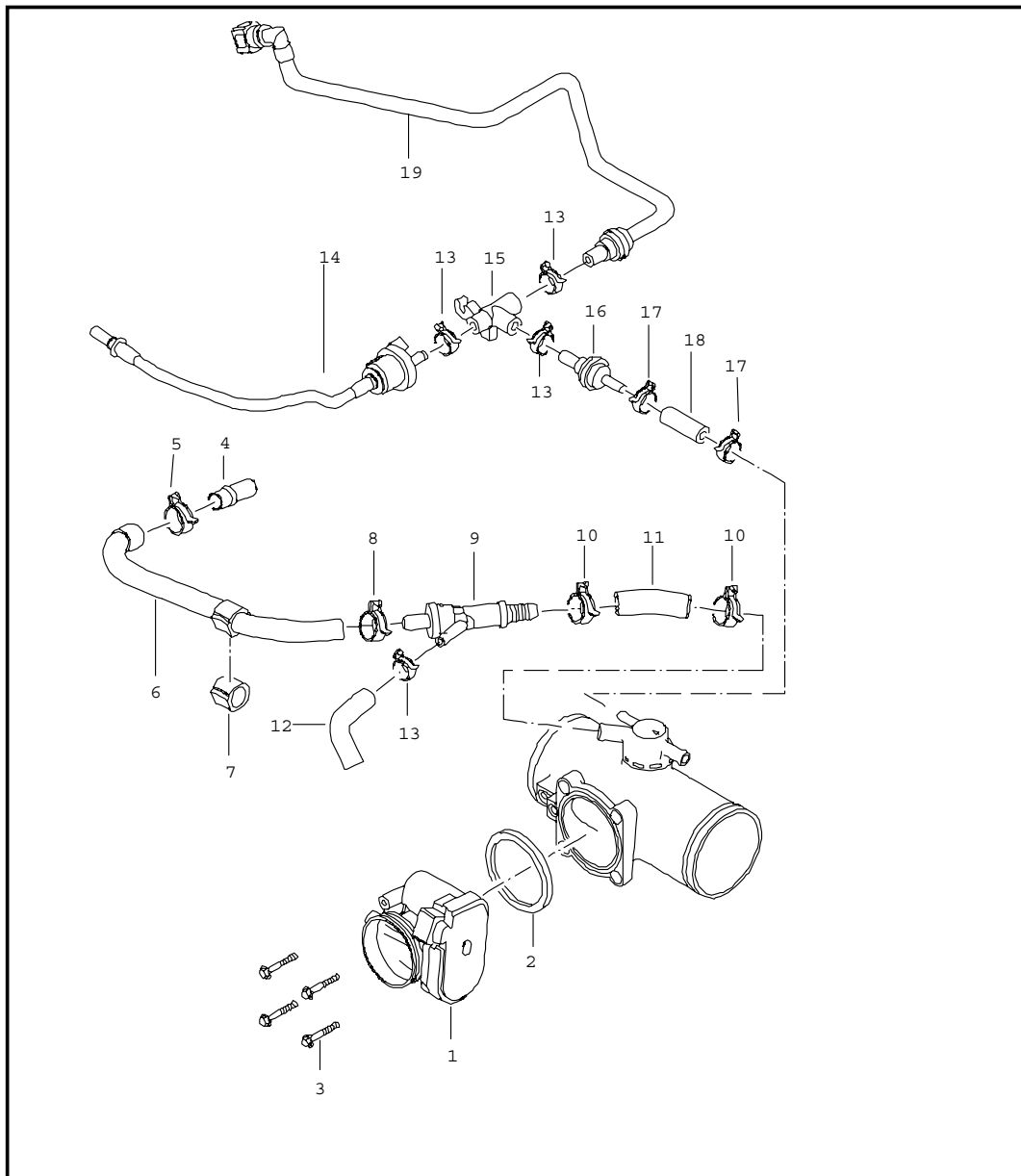
Pos	Part Number	Name	Remarks	Qty	Model
		water cooling 4			
1	996 106 157 03	water reservoir		1	
2	996 641 503 00	switch		1	
3	999 919 058 02	hexagon-head bolt 5,0 X 40		8	
4	996 106 347 01	bleeder valve		1	
5	996 106 447 01	cover		1	
6	996 106 405 71	support		1	
7	900 378 168 09	hexagon-head bolt M 6 X 30		2	
8	999 084 629 09	hexagon nut M 6		1	
9	000 043 203 78	antifreeze protection 1 LTR. GEBINDE		X	
(9) A	000 043 203 79	antifreeze protection 25 LTR. container		X	
(9)	000 043 300 31	antifreeze protection 20 LTR. container		X	
10	996 106 297 00	hose		1	
11	999 707 370 40	o-ring 47 X 4		1	
12	999 707 371 40	o-ring 17 X 4		1	
- - - E N D - - -					

Model	Year	MG	SG	Illustration	Restrictions	Update	11:59	25.11.2005	PORSCHE	PET	PORSCHE
996t	05	1	06	106-00		194					



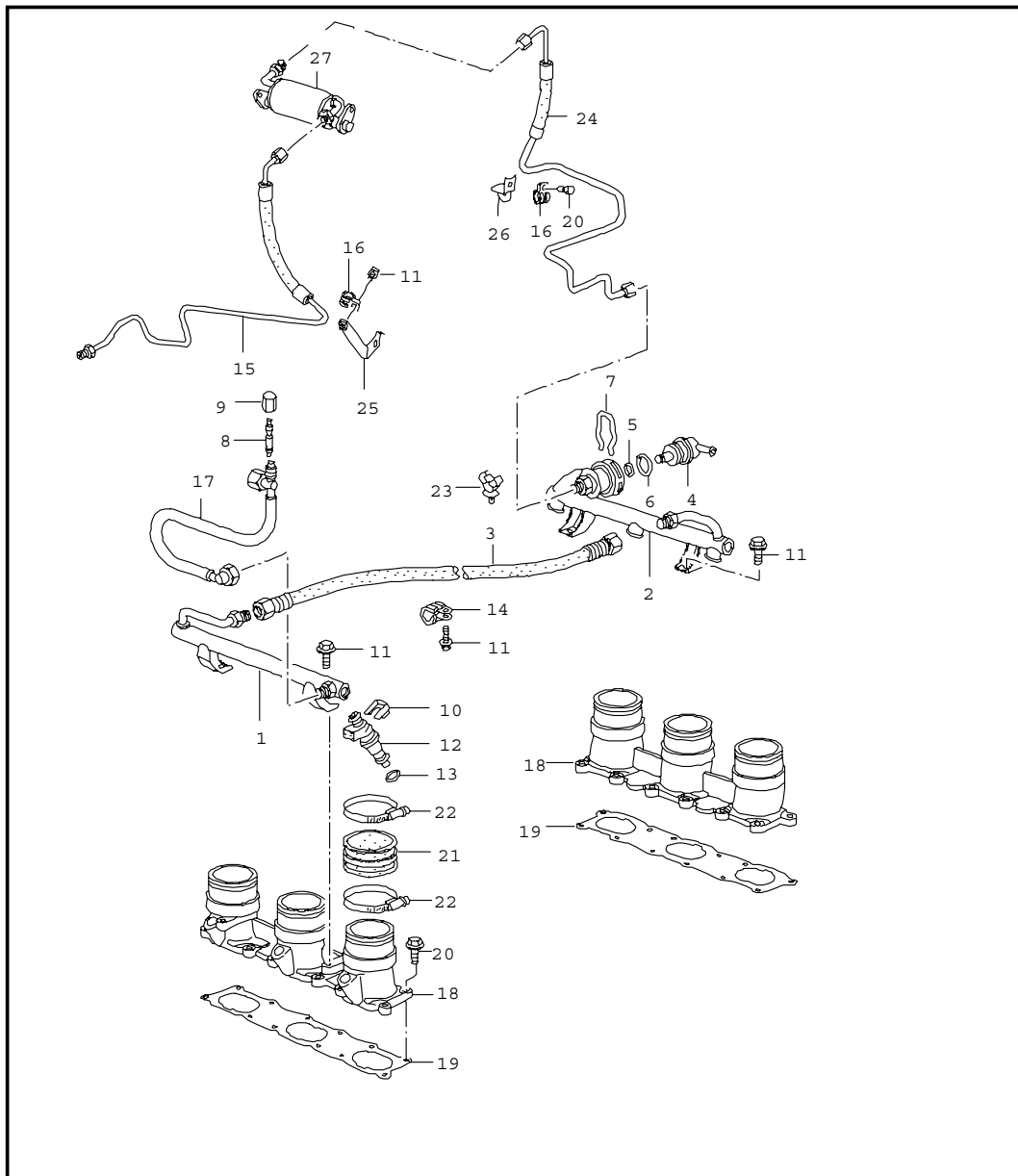
Pos	Part Number	Name	Remarks	Qty	Model
		air cleaner			
1	996 110 021 70	air cleaner		1	
2	996 110 131 71	air cleaner cartridge		1	
3	996 606 124 00	mass air flow		1	
4	986 606 925 00	o-ring		1	
5	999 919 160 07	oval-head screw		2	
6	900 095 099 02	sleeve 12,0 X 14		1	
7	999 702 246 40	grommet 12,0 X 17,0 X 3		1	
8	999 075 063 02	hexagon-head bolt M 6 X 34		1	
9	999 702 221 40	grommet 11,8 X 18,0 X 18		2	
		- - - E N D - - -			

Model	Year	MG	SG	Illustration	Restrictions	Update	11:59	25.11.2005	PORSCHE	PET	PORSCHE
996t	05	1	07	107-00		194					



Pos	Part Number	Name	Remarks	Qty	Model
		throttle body			
1	986 605 115 01	throttle body		1	
2	996 110 318 01	gasket		1	
3	900 378 032 09	hexagon-head bolt		4	
4	996 110 657 70	socket		1	
5	999 512 602 09	hose clamp 24 X 12		1	
6	996 110 654 72	hose		1	
7	996 110 659 70	spacer		1	
8	999 512 554 00	hose clamp 20 X 12		1	
9	996 110 652 70	venturi tube		1	
10	999 512 655 09	hose clamp 22 X 12		2	
11	996 110 651 71	hose		1	
12	996 110 653 71	hose		1	
13	999 512 599 09	hose clamp 18 X 12		3	
14	996 110 129 72	vent line		1	
15	996 110 147 71	t-piece		1	
16	996 110 135 70	check valve		1	
17	999 512 585 09	hose clamp 15 X 12		2	
18	996 110 127 71	vent line		1	
19	996 110 145 71	vent line		1	
--	996 606 113 00	temperature sensor	-02	1	
--	996 606 013 00	support for temperature sensor		1	
--	900 378 074 09	hexagon-head bolt m 8 x 16		1	
- - - E N D - - -					

Model	Year	MG	SG	Illustration	Restrictions	Update	11:59	25.11.2005	PORSCHE	PET	PORSCHE
996t	05	1	07	107-05		194					

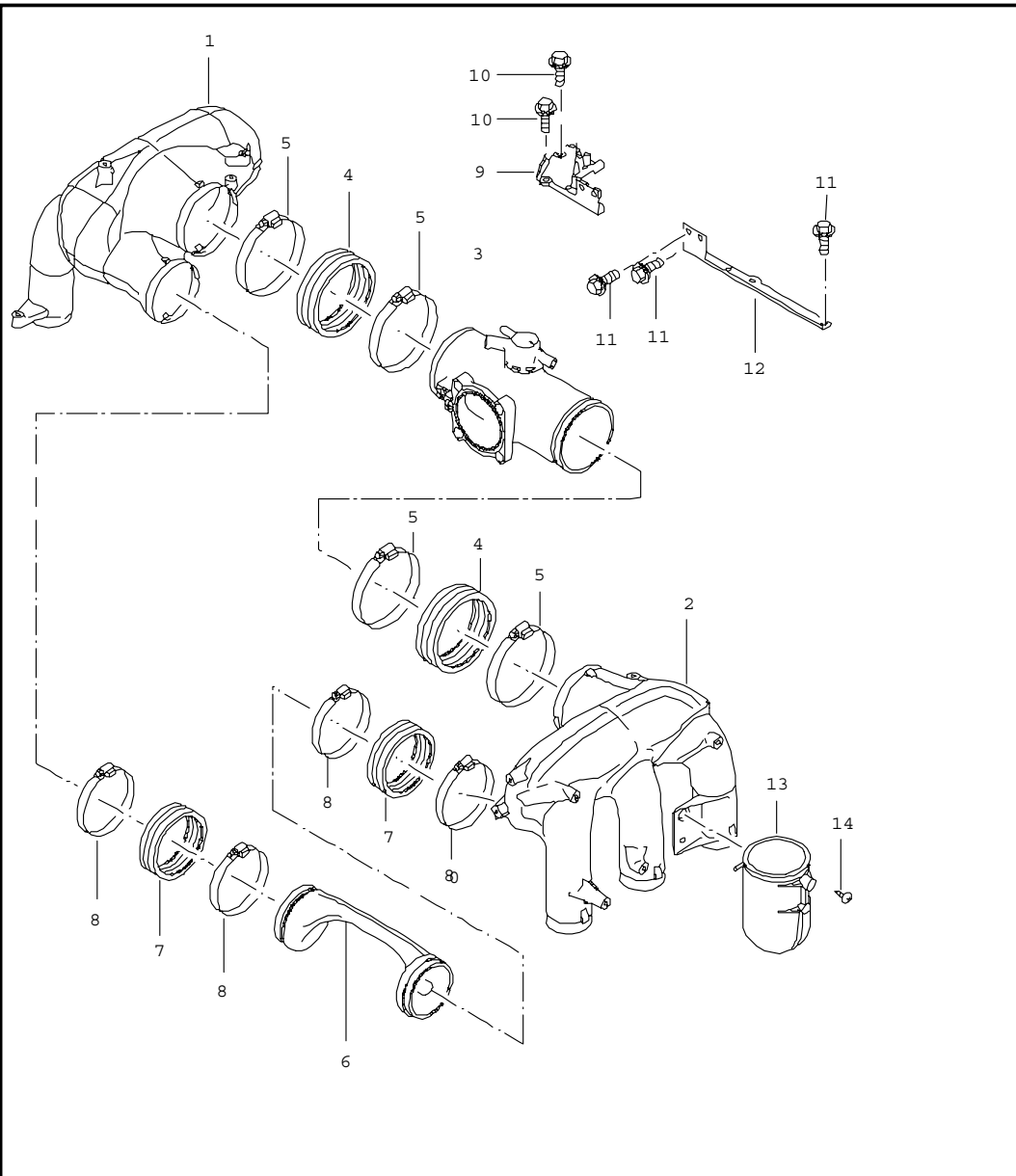


Pos	Part Number	Name	Remarks	Qty	Model
		fuel collection pipe			
1	996 110 307 71	fuel collection pipe		1	
2	996 110 308 71	fuel collection pipe		1	
3	996 110 309 71	fuel hose		1	
4	993 110 199 00	pressure regulator		1	
5	999 707 276 40	o-ring 5 X 2,5		1	
6	999 707 277 40	o-ring 20 X 2,5		1	
7	993 110 196 00	retaining clip		1	
8	993 110 217 00	valve		1	
9	993 110 218 01	cap		1	
10	996 110 113 52	retaining clip		6	
11	900 378 036 09	hexagon-head bolt M 6 X 12		6	
12	996 606 132 00	injector valve		6	
13	944 110 901 01	o-ring 7,52 X 3,53		12	
14	999 511 234 02	clamp 16 X 15		1	
15	996 110 324 72	return line F >>991S6 82326 see technical information group 1 NR.3/01		1	
(15)	996 110 324 74	return line F 991S6 82327>> see technical information group 1 NR.3/01		1	
(15)	996 110 324 74	return line	02-	1	M 152
16	999 511 153 02	clamp 8 X 15		2	
17	996 110 315 73	feed line		1	
--	999 181 423 40	protective tube 15 X 410		*	
18	996 110 101 73	intake manifold	/L	1	

Model	Year	MG	SG	Illustration	Restrictions	Update	11:59	25.11.2005	PORSCHE	PET	PORSCHE
996t	05	1	07	107-05		194					

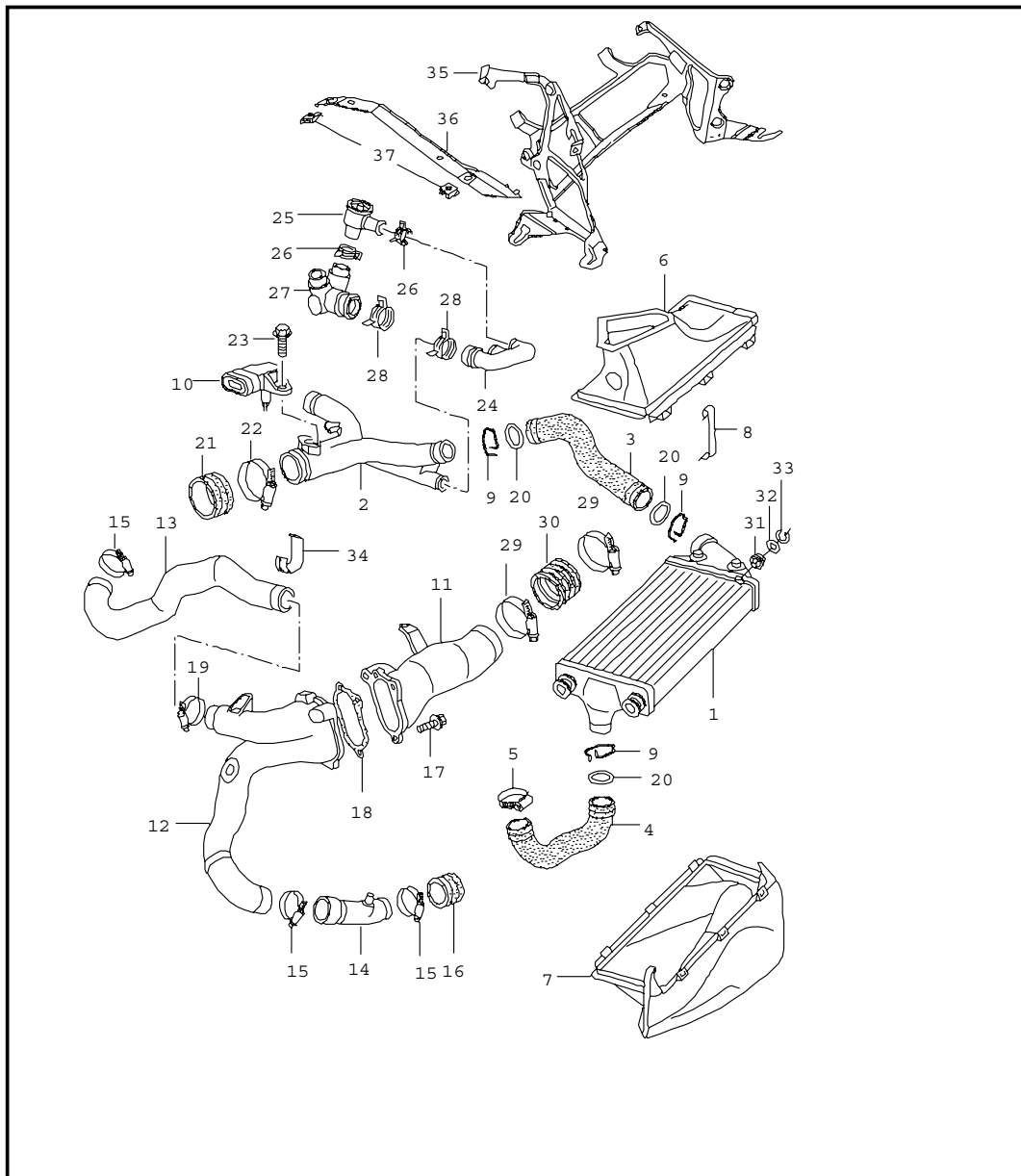
Pos	Part Number	Name	Remarks	Qty	Model	Pos	Part Number	Name	Remarks	Qty	Model
(18)	996 110 102 73	intake manifold	/R	1							
19	996 110 103 71	gasket		2							
20	900 378 030 09	hexagon-head bolt M 6 X 20		24							
21	993 110 687 51	rubber sleeve		6							
22	999 512 348 02	hose clamp 40 - 60/9		12							
23	999 511 240 40	cable holder 11,0 - 18,0		1							
24	996 110 314 72	return line		1							
24	996 110 314 72	return line	02-	1	M 152						
25	996 110 334 71	support		1							
26	996 110 344 70	support		1							
27	--- --- --- --	fuel cooler see illustrations 8/13/26		1							
--	996 110 634 72	support for vent line		1							
		- - - E N D - - -									

Model	Year	MG	SG	Illustration	Restrictions	Update	11:59	25.11.2005	PORSCHE	PET	PORSCHE
996t	05	1	07	107-10		194					



Pos	Part Number	Name	Remarks	Qty	Model
		intake distributor			
1	996 110 618 70	intake distributor	/R	1	
2	996 110 627 70	intake distributor	/L	1	
3	996 110 215 71	intermediate piece		1	
4	996 110 685 71	rubber sleeve		2	
5	999 512 350 02	hose clamp 80 - 100/9		4	
6	996 110 217 74	cover		1	
7	996 110 686 70	rubber sleeve		2	
8	999 512 351 02	hose clamp 70 - 90/9		4	
9	996 110 675 73	support		1	
10	999 919 130 09	hexagon-head bolt M 6 X 18		2	
11	900 378 036 09	hexagon-head bolt M 6 X 12		3	
12	996 110 673 71	support		1	
13	993 110 140 03	vacuum reservoir		1	
14	999 919 115 02	oval-head screw 5 X 12		1	
- - - E N D - - -					

Model	Year	MG	SG	Illustration	Restrictions	Update	11:59	25.11.2005	PORSCHE	PET	PORSCHE
996t	05	1	07	107-20		194					

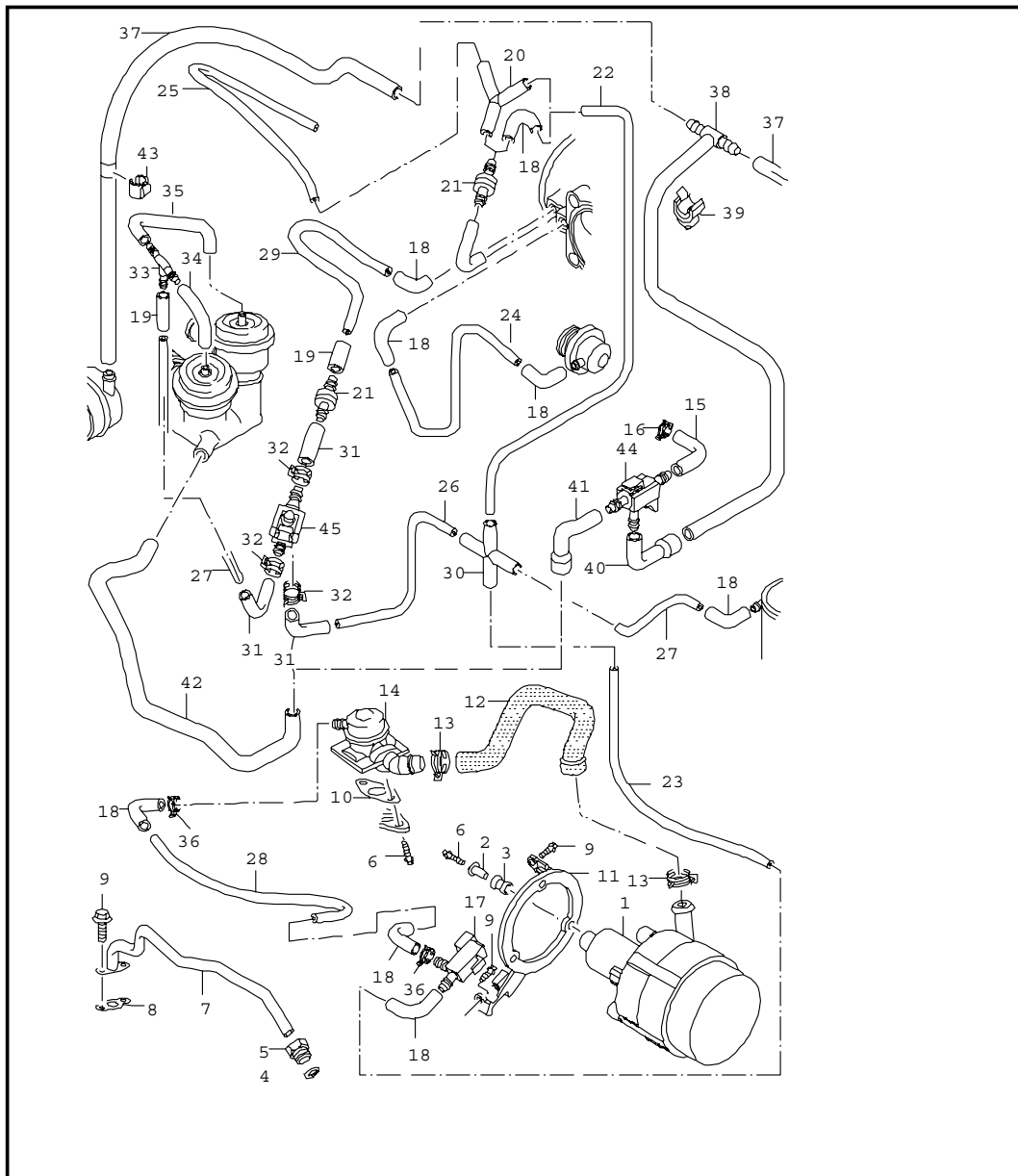


Pos	Part Number	Name	Remarks	Qty	Model
		turbocharging			TURBO/GT2
1	996 110 989 71	charge air cooler	/L	1	GT2 X50
1	996 110 639 71	charge air cooler	/L	1	
		use also: F >>991S6 81568 996.504.253.02		1	
(1)	996 110 990 71	charge air cooler	/R	1	GT2 X50
(1)	996 110 640 71	charge air cooler	/R	1	
		use also: F >>991S6 81568 996.504.254.02		1	
2	996 110 046 73	pressure pipe		1	
3	996 110 645 73	pressure hose	/L	1	
(3)	996 110 644 75	pressure hose	/R	1	
4	996 110 631 74	pressure hose	/L	1	
(4)	996 110 630 75	pressure hose	/R	1	
5	999 512 349 02	hose clamp 50 - 70		2	
6	996 575 657 00	air duct	/L	1	
(6)	996 575 658 00	air duct	/R	1	
7	996 575 571 00	air duct	/L	1	
		01C satin black			
(7)	996 575 572 00	air duct	/R	1	
		01C satin black			
8	996 504 847 00	clamp		12	
9	996 106 802 12	retainer spring		6	
10	996 606 180 00	pressure transmitter		1	
11	996 110 622 72	intake manifold		1	
12	996 110 623 71	intake manifold distributor		1 1	
13	996 110 626 71	intake manifold		1	
14	996 110 625 70	pressure pipe	/L	1	

Model	Year	MG	SG	Illustration	Restrictions	Update	11:59	25.11.2005	PORSCHE	PET	PORSCHE
996t	05	1	07	107-20		194					

Pos	Part Number	Name	Remarks	Qty	Model	Pos	Part Number	Name	Remarks	Qty	Model
(14)	996 110 624 70	pressure pipe		1		(36)	996 504 354 91	bracket	/R	1	GT2
15	999 512 349 02	hose clamp 50 - 70/9		4		37	999 507 668 02	speed nut ST 4,8		X	
16	993 110 397 50	sleeve	/R	2				- - - E N D - - -			
17	900 378 013 09	hexagon-head bolt M 6 X 25		3							
18	996 110 613 71	gasket		1							
19	999 512 317 00	hose clamp		1							
20	996 106 801 06	sealing ring		6							
21	996 110 647 71	rubber sleeve		1							
22	999 512 351 02	hose clamp		2							
23	900 378 163 09	hexagon-head bolt M 6 X 16		1							
24	996 110 681 73	distributor air valve		1							
25	993 110 337 50	shut-off valve		2							
26	999 512 630 00	hose clamp 32 X 12		4							
27	996 110 683 73	y-piece		1							
28	999 512 613 09	hose clamp 46 X 12	/L /R	2							
29	999 512 542 00	hose clamp 80 - 100 / 9		2							
30	996 110 621 70	rubber sleeve		1							
31	996 110 638 70	rubber mounting		8							
32	999 025 255 02	washer		8							
33	900 116 015 09	lock washer		8							
34	996 110 636 70	support		1							
35	996 504 253 02	bracket	/L	1							
(35)	996 504 254 02	bracket	/R	1							
36	996 504 353 00	bracket	/L	1							
(36)	996 504 353 91	bracket	/L	1	GT2						
(36)	996 504 354 00	bracket	/R	1							

Model	Year	MG	SG	Illustration	Restrictions	Update	12:00	25.11.2005	PORSCHE	PET	PORSCHE
996t	05	1	08	108-05		194					

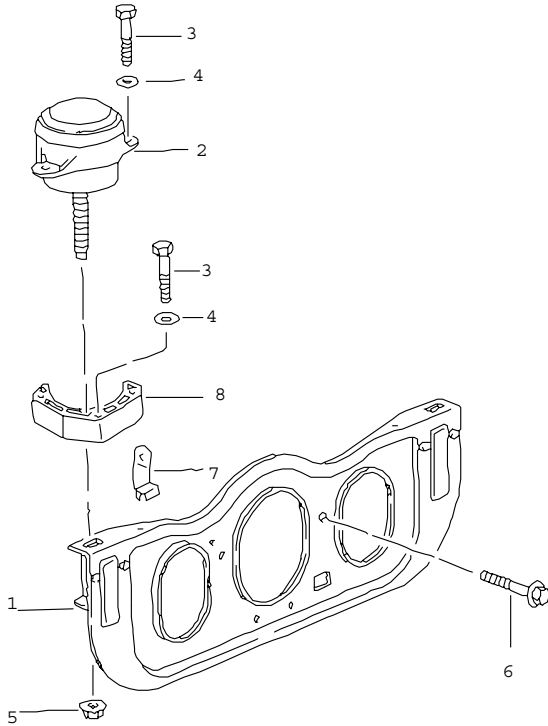


Pos	Part Number	Name	Remarks	Qty	Model
		air injection			
1	996 605 104 00	air pump		1	
2	999 209 054 02	spacer sleeve 6,9 X 1,0 X 22		3	
3	999 703 481 40	rubber mounting 10 X 13,2		3	
4	900 102 011 02	cutting ring		1	
5	999 261 079 02	union nut		1	
6	900 378 177 09	hexagon-head bolt M 6 X 30		5	
7	996 113 275 72	air tube		1	
8	996 113 213 71	gasket		1	
9	900 378 030 09	screw M 6 X 20		4	
10	993 113 258 51	gasket		1	
11	996 113 240 74	support		1	
12	996 113 255 72	hose		1	
13	999 512 552 00	hose clamp 20 - 32/9		2	
14	996 113 257 70	valve		1	
15	996 110 649 71	hose		1	
16	999 512 522 02	clamp 9.5 - 11.5		1	
17	996 605 123 01	change-over valve		1	
-	999 652 838 40	plug socket		1	
-	999 652 771 12	connector		2	
-	999 704 161 40	gasket		2	
18	928 574 717 03	protective tube		9	
19	999 239 040 40	protective tube		2	
20	928 573 727 03	y-piece		1	M 249
21	964 110 950 01	check valve		2	
-	000 043 205 01	pipe 4 X 1,0		*	

Model	Year	MG	SG	Illustration	Restrictions	Update	12:00	25.11.2005	PORSCHE	PET	PORSCHE
996t	05	1	08	108-05		194					

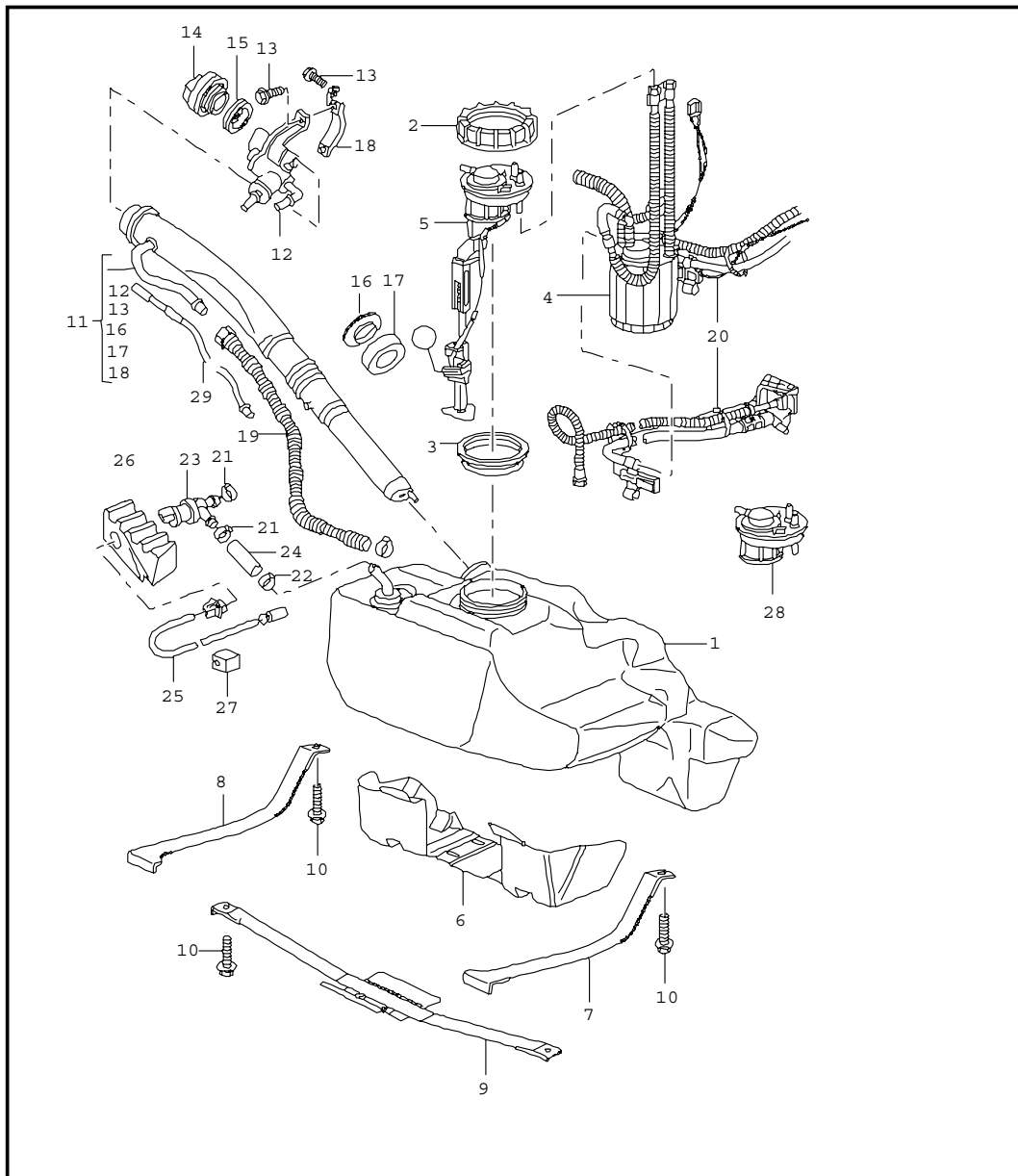
Pos	Part Number	Name	Remarks	Qty	Model	Pos	Part Number	Name	Remarks	Qty	Model
22	-	230 MM		1							
23	-	140 MM		1							
24	-	460 MM		1							
25	-	1100 MM		1	M 249						
-	900 918 005 40	pipe 5 X 1,0		*							
26	-	245 MM		1							
27	-	140 MM		2							
28	-	300 MM		1							
29	-	190 MM		1							
30	928 573 729 03	distributing piece		1							
31	996 110 695 70	hose		3							
32	999 512 622 02	clamp 11.8 - 13.8		3							
33	999 137 005 40	t-piece		1							
34	996 110 697 71	hose		1							
35	996 110 697 72	hose		1							
36	999 512 527 00	clamp 8.5 - 10.0		2							
-	900 926 019 40	hose		*							
37	-	780 MM		2							
38	996 110 656 70	control line		1							
39	999 507 544 40	cable holder		1							
40	996 110 666 70	hose		1							
41	996 110 658 70	hose		1							
42	996 110 650 71	vent line		1							
43	999 507 658 09	cable holder		2							
44	996 605 155 00	cycle valve		1							
45	996 605 165 00	change-over valve		1							
		- - - E N D - - -									

Model	Year	MG	SG	Illustration	Restrictions	Update	12:00	25.11.2005	PORSCHE	PET	PORSCHE
996t	05	1	09	109-00		194					



Pos	Part Number	Name	Remarks	Qty	Model
		engine suspension			
1	996 375 013 00	engine carrier		1	
2	993 375 049 07	engine mounting		2	
3	900 378 056 02	hexagon-head bolt AM 8 X 60		6	
4	999 025 134 02	washer 8,4 X 21 3,0		4	
5	999 084 215 09	hexagon nut V M 12 X 1,5		2	
6	900 378 065 09	hexagon-head bolt M 10 X 70		4	
(7)	996 106 293 91	support		2	
8	996 375 221 01	adapter		2	
		- - - E N D - - -			

Model	Year	MG	SG	Illustration	Restrictions	Update	12:00	25.11.2005	PORSCHE	PET	PORSCHE
996t	05	2	01	201-00		194					

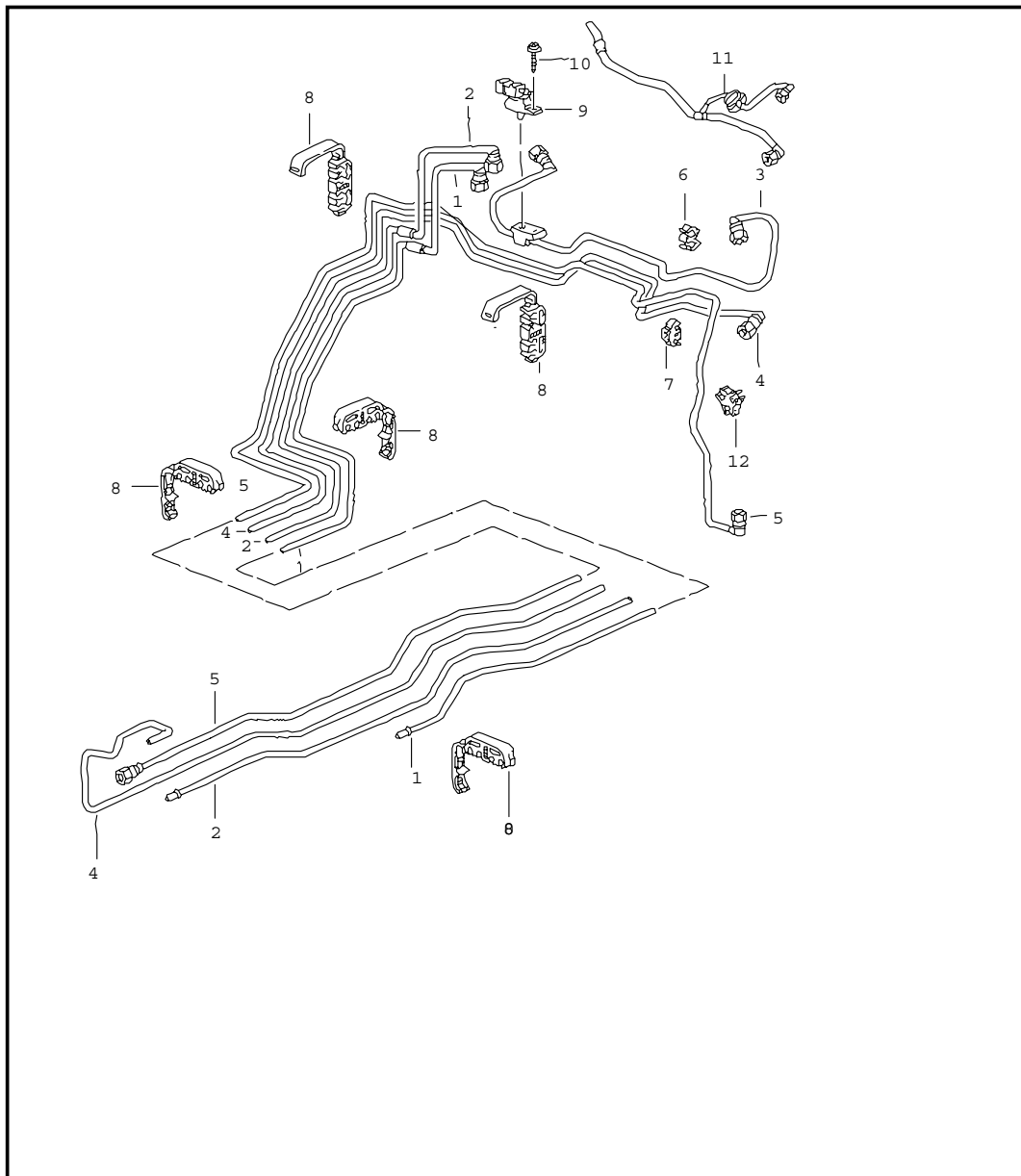


Pos	Part Number	Name	Remarks	Qty	Model
		fuel tank			
1	996 201 021 01	fuel tank	/LL	1	
(1)	996 201 021 90	fuel tank	/LL	1	GT2
(1)	996 201 022 01	fuel tank	/RL	1	
(1)	996 201 022 90	fuel tank	/RL	1	GT2
2	996 201 623 00	union nut		1	
3	321 919 133	gasket		1	
4	996 620 107 00	fuel pump	/LL	1	
(4)	996 620 108 00	fuel pump	/RL	1	
(4)	996 620 057 90	fuel pump		1	GT2
5	996 620 827 02	tank gauge	/LL	1	
(5)	996 641 801 90	tank gauge	/LL	1	GT2
(5)	996 620 832 02	tank gauge	/RL	1	GT2
(5)	996 620 828 02	tank gauge	/RL	1	
6	996 201 331 01	protective plate	/LL	1	
(6)	996 201 331 00	protective plate	/LL	1	GT2
(6)	996 201 331 02	protective plate	/RL	1	GT2
(6)	996 201 331 03	protective plate	/RL	1	
7	996 201 105 03	restraining strap		1	
(7)	996 201 105 02	restraining strap		1	GT2
8	996 201 106 03	restraining strap		1	
(8)	996 201 106 02	restraining strap		1	GT2
9	996 201 107 01	restraining strap	/LL	1	
(9)	996 201 107 90	restraining strap	/LL	1	GT2
(9)	996 201 108 00	restraining strap	/RL	1	GT2
10	900 075 479 09	screw M 8 X 40		4	
11	996 201 043 03	filler neck		1	
11	996 201 043 04	filler neck		1	M 150 (J)
11	996 201 043 09	filler neck	/RL	1	GT2

Model	Year	MG	SG	Illustration	Restrictions	Update	12:00	25.11.2005	PORSCHE	PET	PORSCHE
996t	05	2	01	201-00		194					

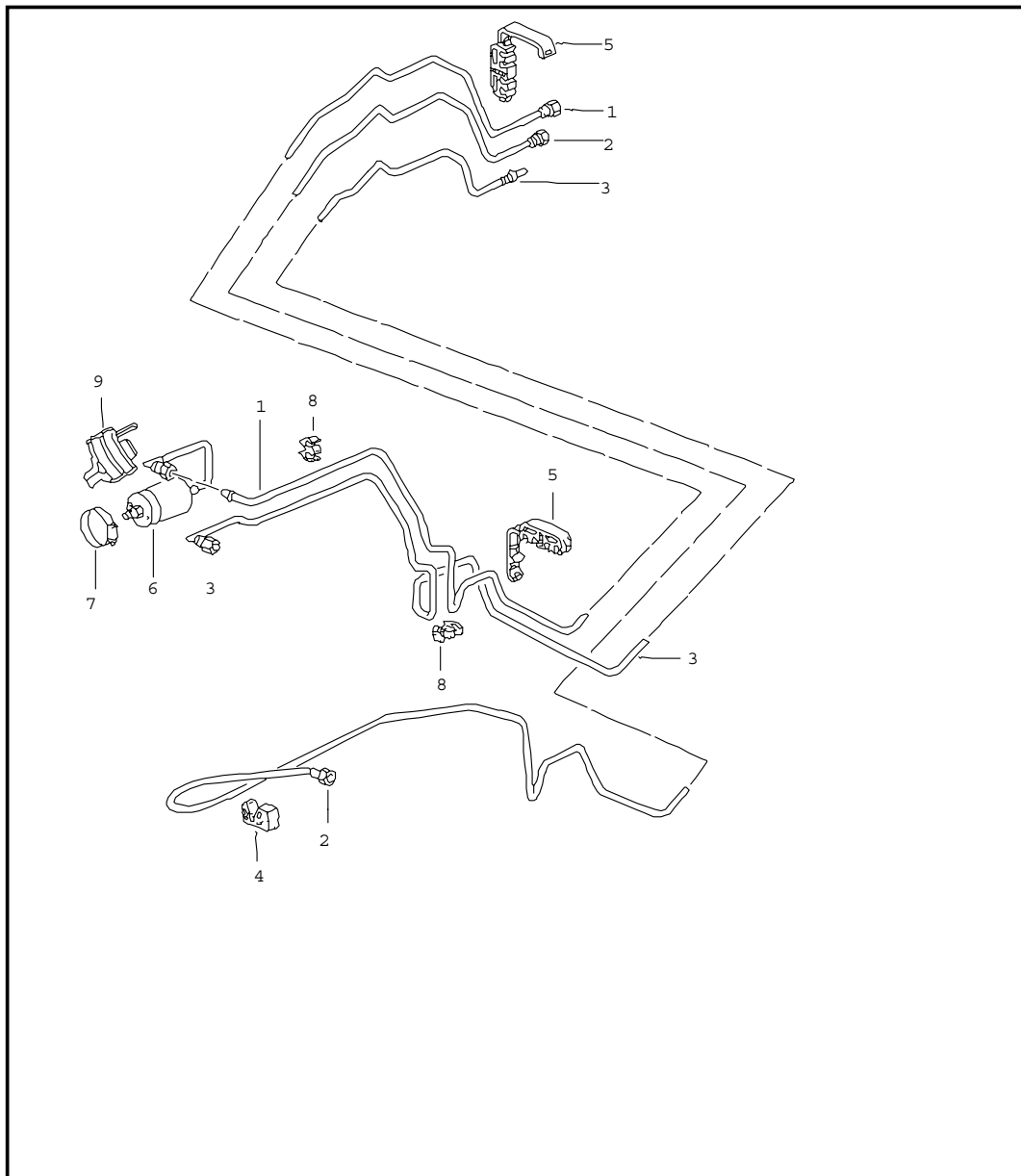
Pos	Part Number	Name	Remarks	Qty	Model	Pos	Part Number	Name	Remarks	Qty	Model
12	996 201 143 01	bleeder valve		1							
13	900 378 036 09	hexagon-head bolt M 6 X 12		3							
14	996 201 241 03	fuel tank cap with clip		1							
--	999 507 499 40	expansion rivet		1							
15	191 201 557	gasket		1							
16	996 201 755 00	support washer		1							
17	996 201 753 00	gasket		1							
18	996 201 751 00	support		1							
19	996 201 613 00	vent line		1							
20	996 620 113 00	venturi tube		1							
(20)	996 620 113 80	venturi tube		1	GT2						
28	996 620 841 90	display specimen tank gauge		1	GT2						
		- - - E N D - - -									

Model	Year	MG	SG	Illustration	Restrictions	Update	12:00	25.11.2005	PORSCHE	PET	PORSCHE
996t	05	2	01	201-05		194					



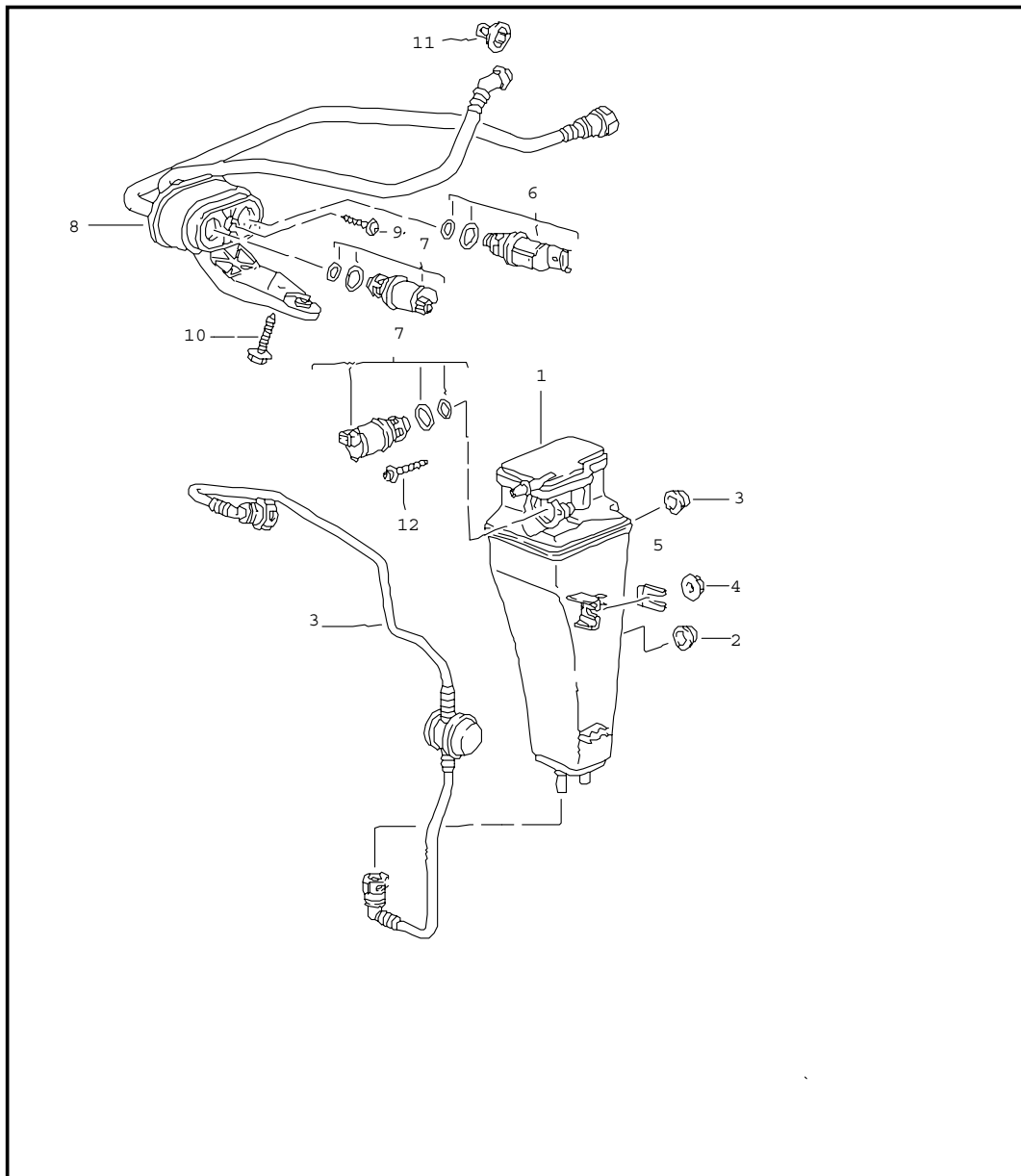
Pos	Part Number	Name	Remarks	Qty	Model
		fuel system front			
1	996 201 261 01	pressure line		1	
2	996 201 271 01	return line		1	
3	996 201 251 02	vent line		1	
4	996 201 361 02	air tube		1	
5	996 201 351 00	air tube		1	
6	999 507 488 40	cable holder		5	
7	999 507 487 40	cable holder		1	
8	999 507 554 40	cable holder		8	
9	996 606 205 00	sensor		1	M 660
10	999 919 042 02	oval-head screw 5,0 X 12		1	M 660
		- - - E N D - - -			

Model	Year	MG	SG	Illustration	Restrictions	Update	12:01	25.11.2005	PORSCHE	PET	PORSCHE
996t	05	2	01	201-10		194					



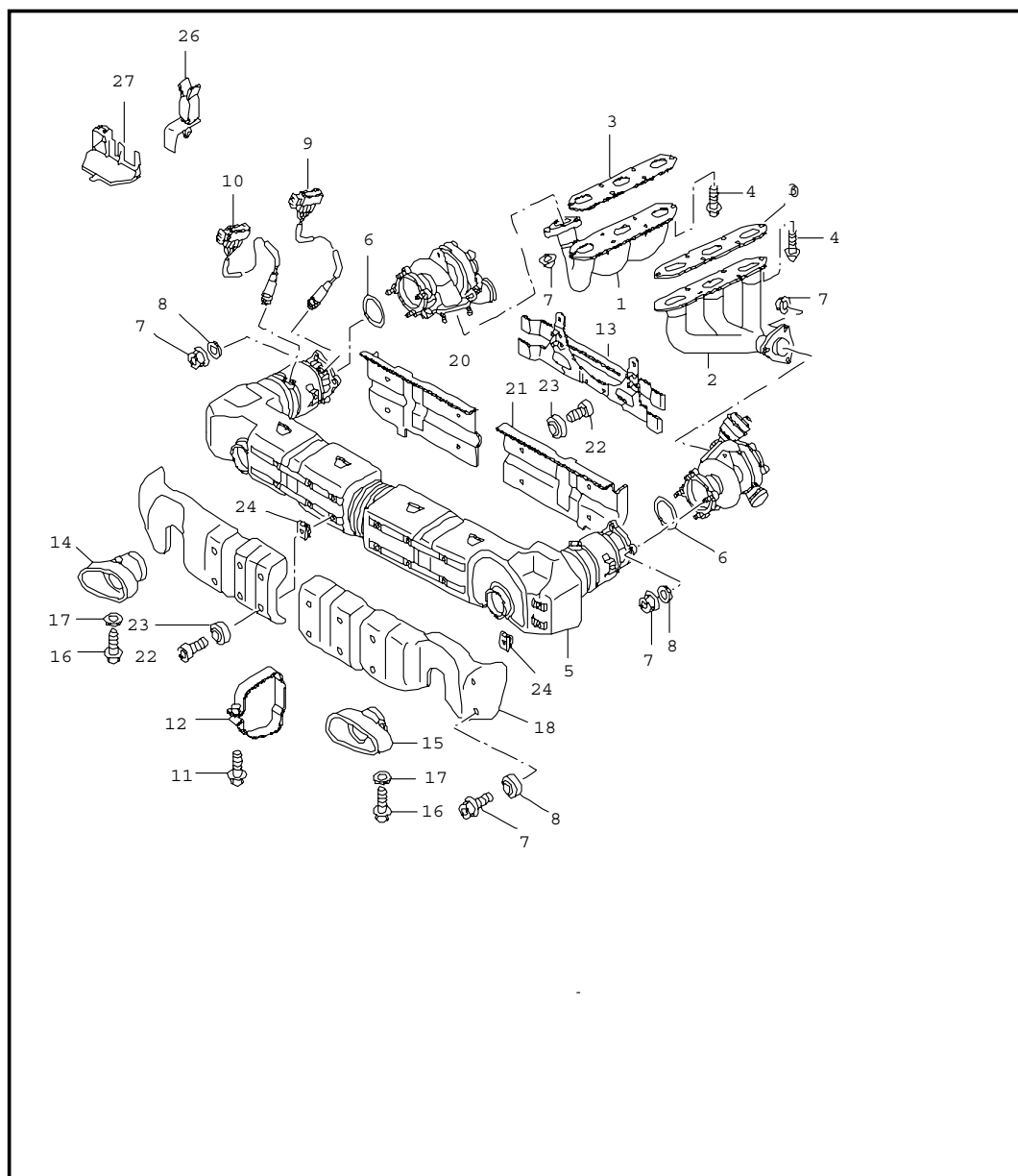
Pos	Part Number	Name	Remarks	Qty	Model
		fuel system rear			
1	996 201 265 02	pressure line		1	
2	996 201 275 01	return line F >>991S6 82326 see technical information group 2 NR.3/01		1	
(2)	996 201 275 03	return line F 991S6 82327>> see technical information group 2 NR.3/01		1	
-	999 707 505 40	o-ring black		1	
-	999 707 506 40	o-ring beige		1	
3	996 201 355 01	air tube		1	
4	999 591 922 40	cable holder		2	
5	999 507 521 40	cable holder		2	
6	996 110 253 52	fuel filter		1	
7	999 512 390 00	hose clamp 60 - 80/13		1	
8	999 507 488 40	cable holder		3	
9	996 110 257 03	support		1	
		- - - E N D - - -			

Model	Year	MG	SG	Illustration	Restrictions	Update	12:01	25.11.2005	PORSCHE	PET	PORSCHE
996t	05	2	01	201-20		194					



Pos	Part Number	Name	Remarks	Qty	Model
		carbon canister			
1	996 201 221 09	carbon canister		1	
1	996 201 221 07	carbon canister		1	M 664
2	999 702 221 40	grommet		2	
3	996 201 255 07	vent line		1	
4	999 084 629 09	hexagon nut M 6		1	
5	999 507 543 02	clamp 2,00 - 3,00		1	
6	996 605 213 01	valve		1	M 664
7	996 605 201 01	shut-off valve		1	M 664
8	996 201 231 01	valve housing		1	M 664
9	999 919 190 02	oval-head screw M 5 X 25		1	M 664
10	900 378 154 09	hexagon-head bolt M 8 X 35		2	M 664
11	996 201 555 00	clip		1	M 664
12	999 919 171 07	oval-head screw 5,0 X 20		1	
- - - E N D - - -					

Model	Year	MG	SG	Illustration	Restrictions	Update	12:01	25.11.2005	PORSCHE	PET	PORSCHE
996t	05	2	02	202-00		194					

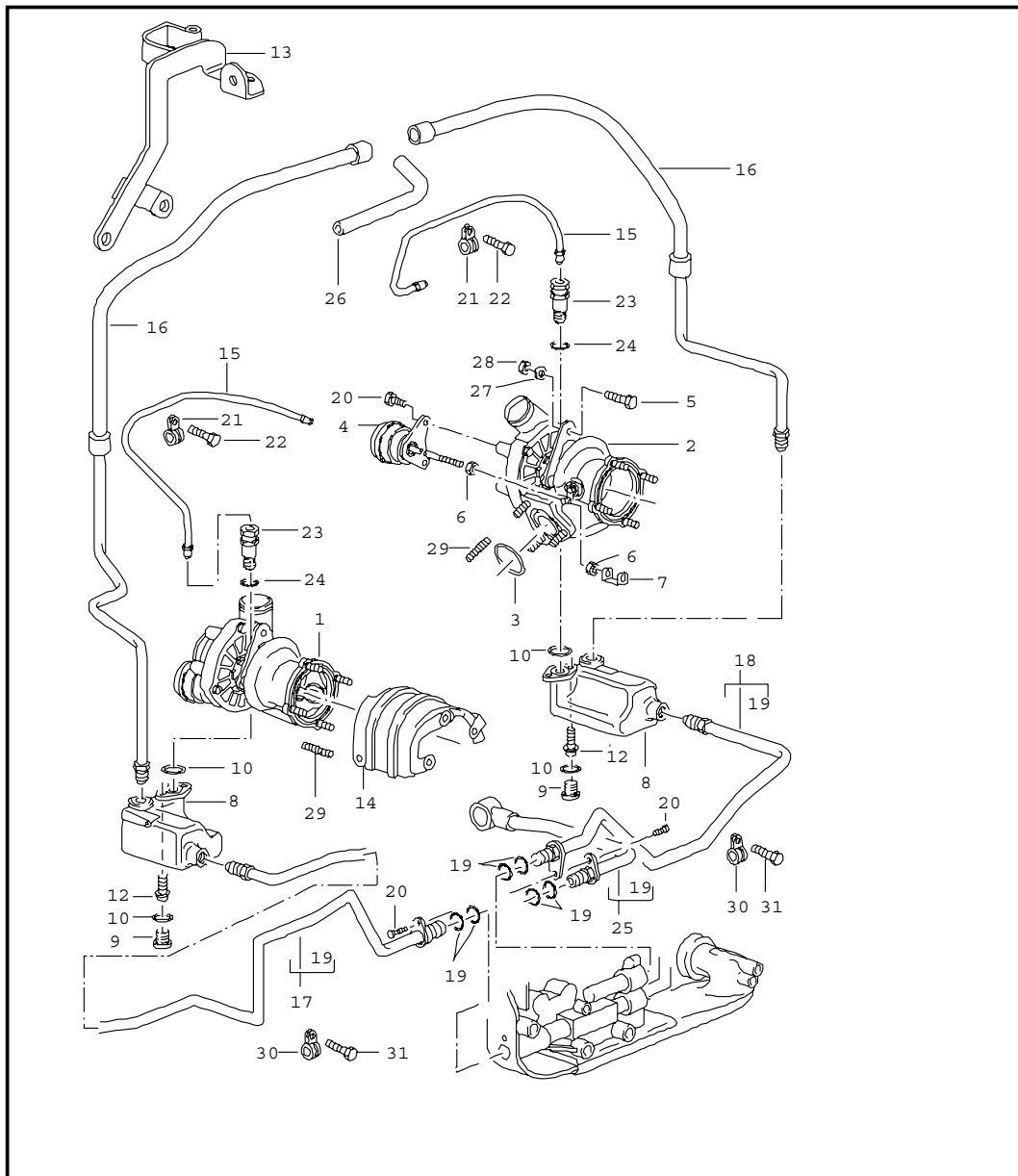


Pos	Part Number	Name	Remarks	Qty	Model
		exhaust system			
1	996 111 101 73	exhaust manifold	/L	1	
2	996 111 102 73	exhaust manifold	/R	1	
3	996 111 107 71	gasket		2	
4	900 378 227 09	hexagon-head bolt M 8 X 28		18	
5	996 111 027 75	muffler		1	
(5)	996 111 987 75	muffler	01-	1	GT2
6	996 111 217 70	gasket		2	
7	999 084 052 02	hexagon nut		16	
8	900 031 032 02	washer		8	
9	996 606 128 00	oxygen sensor		2	
10	996 606 138 01	oxygen sensor		2	
11	900 067 362 02	pan-head screw		2	
12	996 111 119 72	restraining strap		2	
13	996 111 024 71	support		1	
14	996 111 251 74	tail pipe see technical information group 2 NR. 8/01	/L	1	
(14)	996 111 981 01	tail pipe	/L	1	X 54
15	996 111 252 74	tail pipe see technical information group 2 NR. 8/01		1	
(15)	996 111 982 01	tail pipe	/R	1	X 54
16	900 074 287 02	hexagon-head bolt M 8 X 35		2	
17	900 031 032 02	washer		2	
18	996 111 205 72	cover plate	/R	1	
19	996 111 204 72	cover plate	/L	1	
20	996 111 207 71	cover plate	/L	1	
21	996 111 208 71	cover plate	/R	1	

Model	Year	MG	SG	Illustration	Restrictions	Update	12:01	25.11.2005	PORSCHE	PET	PORSCHE
996t	05	2	02	202-00		194					

Pos	Part Number	Name	Remarks	Qty	Model	Pos	Part Number	Name	Remarks	Qty	Model
22	900 119 001 02	pan-head screw		18							
23	996 111 283 70	shim		20							
24	999 591 905 00	speed nut M 5		20							
25	996 111 212 70	hexagon-head bolt		2							
26	996 606 101 01	cable holder oxygen sensor		2							
27	996 606 107 02	support oxygen sensor cable plug		2							
		- - - E N D - - -									

Model	Year	MG	SG	Illustration	Restrictions	Update	12:01	25.11.2005	PORSCHE	PET	PORSCHE
996t	05	2	02	202-05		194					

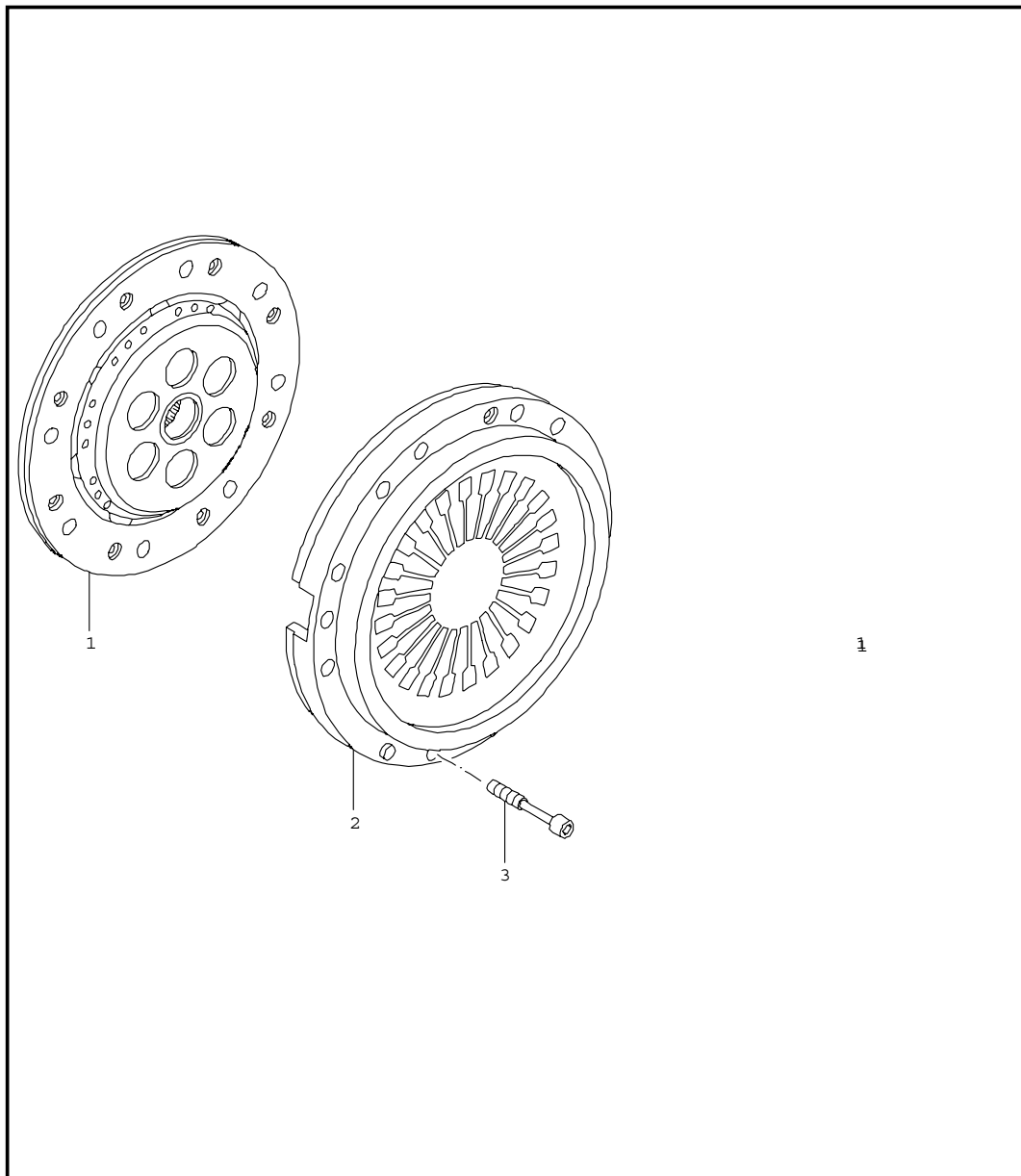


Pos	Part Number	Name	Remarks	Qty	Model
		turbocharger oil pipe for turbocharger			
1	996 123 013 75	turbocharger	/L	1	
(1)	996 123 983 71	turbocharger	/L	1	GT2
2	996 123 014 75	turbocharger	/R	1	
(2)	996 123 984 71	turbocharger	/R	1	GT2
3	996 111 215 70	gasket		2	
4	996 123 115 71	vacuum unit	/L	1	
(4)	996 123 116 71	vacuum unit	/R	1	
5	900 378 074 09	hexagon-head bolt M 8 X 16		2	
6	900 076 077 00	hexagon nut M 6		4	
7	993 123 117 50	securing clip		2	
8	996 107 327 72	oil collection container	/L	1	
(8)	996 107 328 72	oil collection container	/R	1	
9	900 219 009 30	screw plug M 18 X 1,5		2	
10	900 123 140 30	sealing ring A 18 X 22		2	
11	999 701 598 40	o-ring 18,65 X 2,45		2	
12	900 067 271 02	pan-head screw M 8 X 20		4	
13	996 111 213 71	bracket	/L	1	
(13)	996 111 214 71	bracket	/R	1	
14	996 123 215 75	cover plate	/L	1	
(14)	996 123 216 74	cover plate	/R	1	
15	996 107 219 72	pressure line	/L	1	
(15)	996 107 220 72	pressure line	/R	1	
16	996 107 239 72	vent line	/L	1	
(16)	996 107 240 71	vent line	/R	1	

Model	Year	MG	SG	Illustration	Restrictions	Update	12:01	25.11.2005	PORSCHE	PET	PORSCHE
996t	05	2	02	202-05		194					

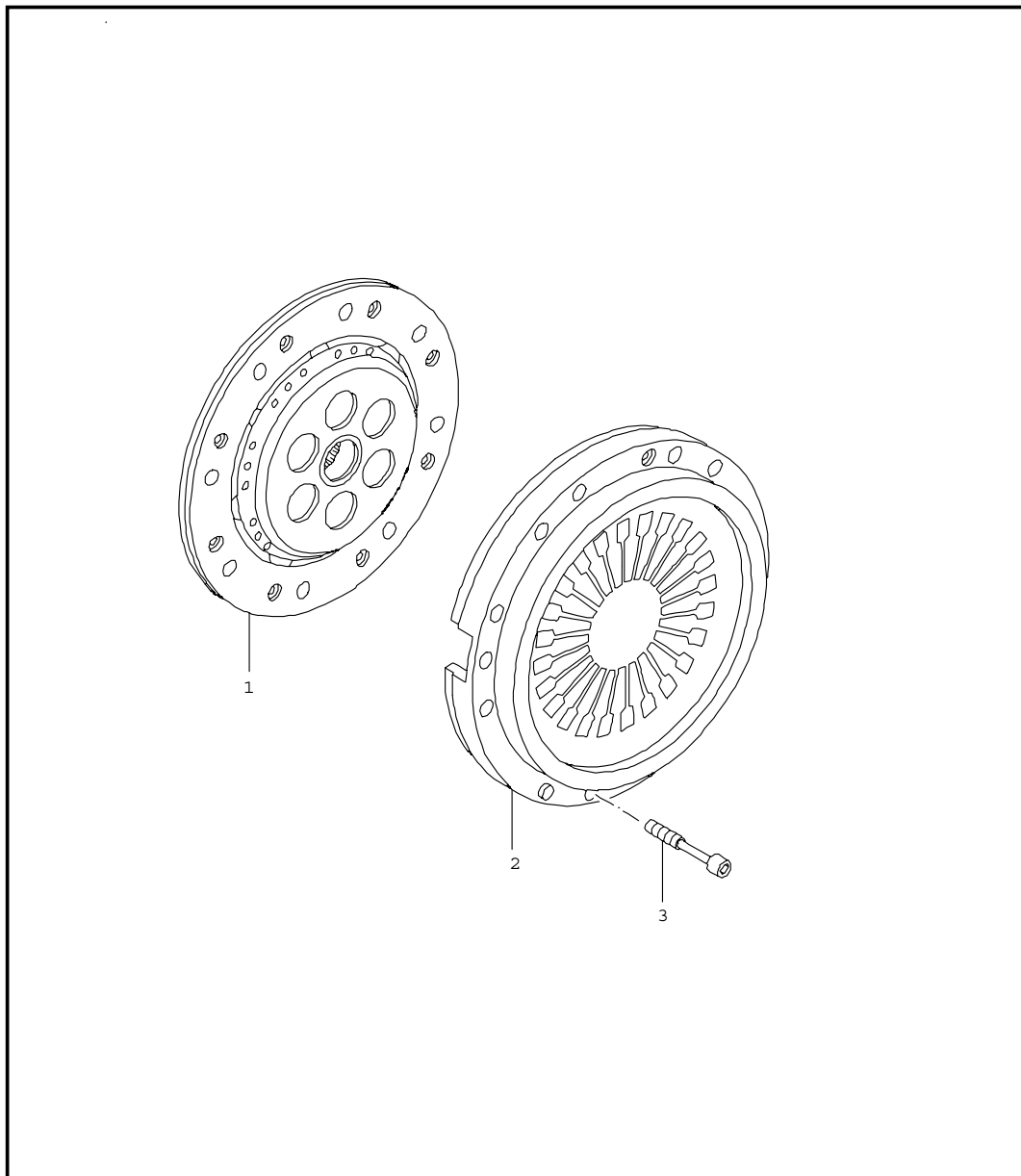
Pos	Part Number	Name	Remarks	Qty	Model	Pos	Part Number	Name	Remarks	Qty	Model
17	996 107 329 74	intake pipe	/L	1							
18	996 107 338 73	intake pipe	/R	1							
19	999 701 789 40	o-ring 12,0 X 2,0		6							
20	900 378 036 09	hexagon-head bolt M 6 X 12		6							
21	999 512 429 02	clamp 6 X 15		2							
22	900 378 174 09	hexagon-head bolt M 6 X 35		2							
23	996 107 030 78	check valve		2							
24	900 123 005 20	sealing ring 12 X 16		2							
25	996 107 216 76	oil pipe		1							
26	996 207 139 70	breather hose		1							
27	900 336 005 00	washer		2							
28	999 084 052 02	lock nut		2							
29	900 081 059 00	stud M 8 X 22		14							
30	999 511 251 02	clamp 6 X 15		2							
31	900 378 030 09	hexagon-head bolt M 6 X 20		2							
		- - - E N D - - -									

Model	Year	MG	SG	Illustration	Restrictions	Update	12:02	25.11.2005	PORSCHE	PET	PORSCHE
996t	05	3	01	301-00		194					



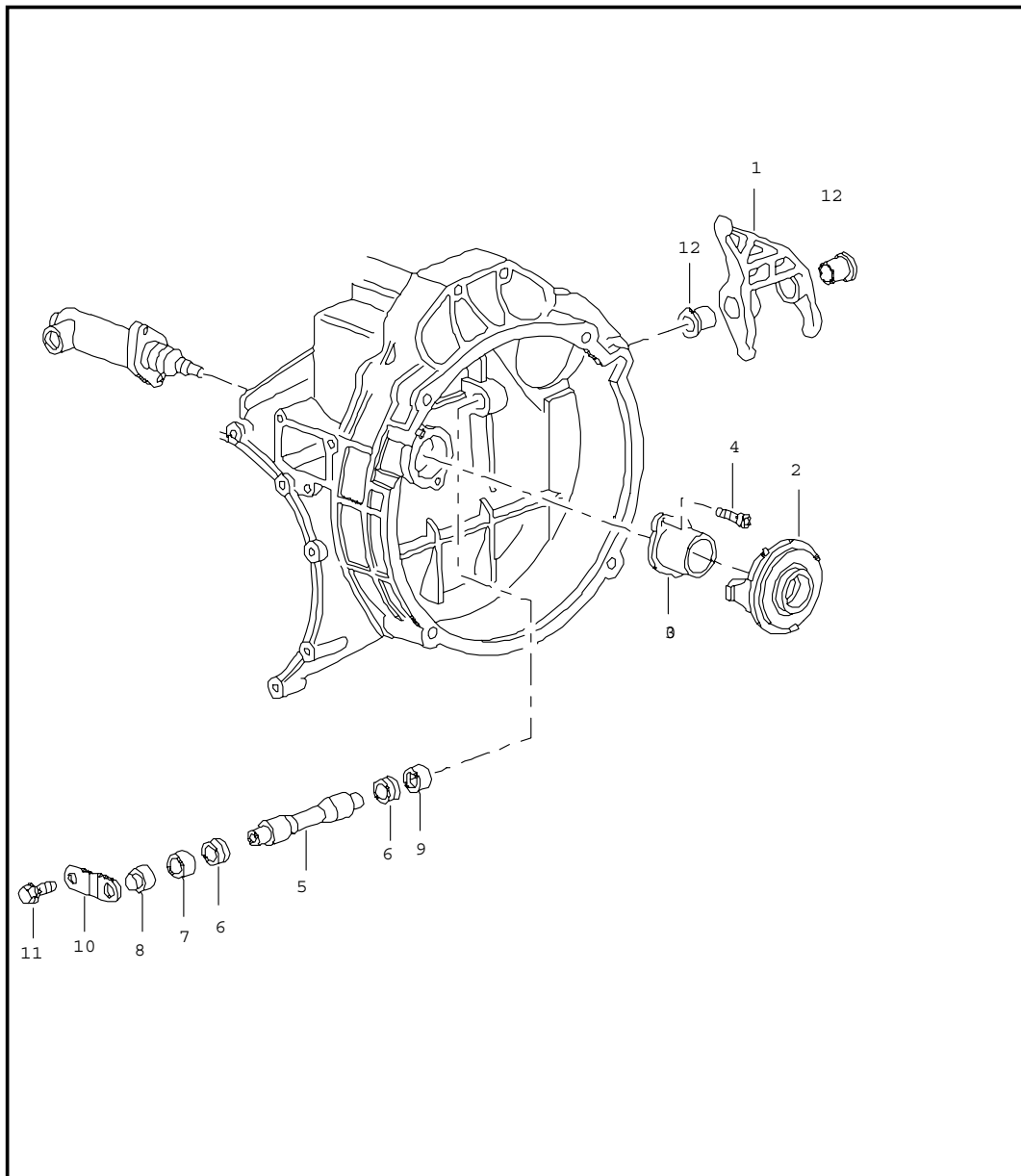
Pos	Part Number	Name	Remarks	Qty	Model
		clutch	02-		M96.70 M96.70E
1	996 116 013 51	clutch plate		1	
1	996 116 013 52	clutch plate	X50	1	M96.70E
2	996 116 027 51	pressure plate		1	
3	999 510 015 02	pan-head screw M 8 X 40		9	
- - - E N D - - -					

Model	Year	MG	SG	Illustration	Restrictions	Update	12:02	25.11.2005	PORSCHE	PET	PORSCHE
996t	05	3	01	301-01		194					



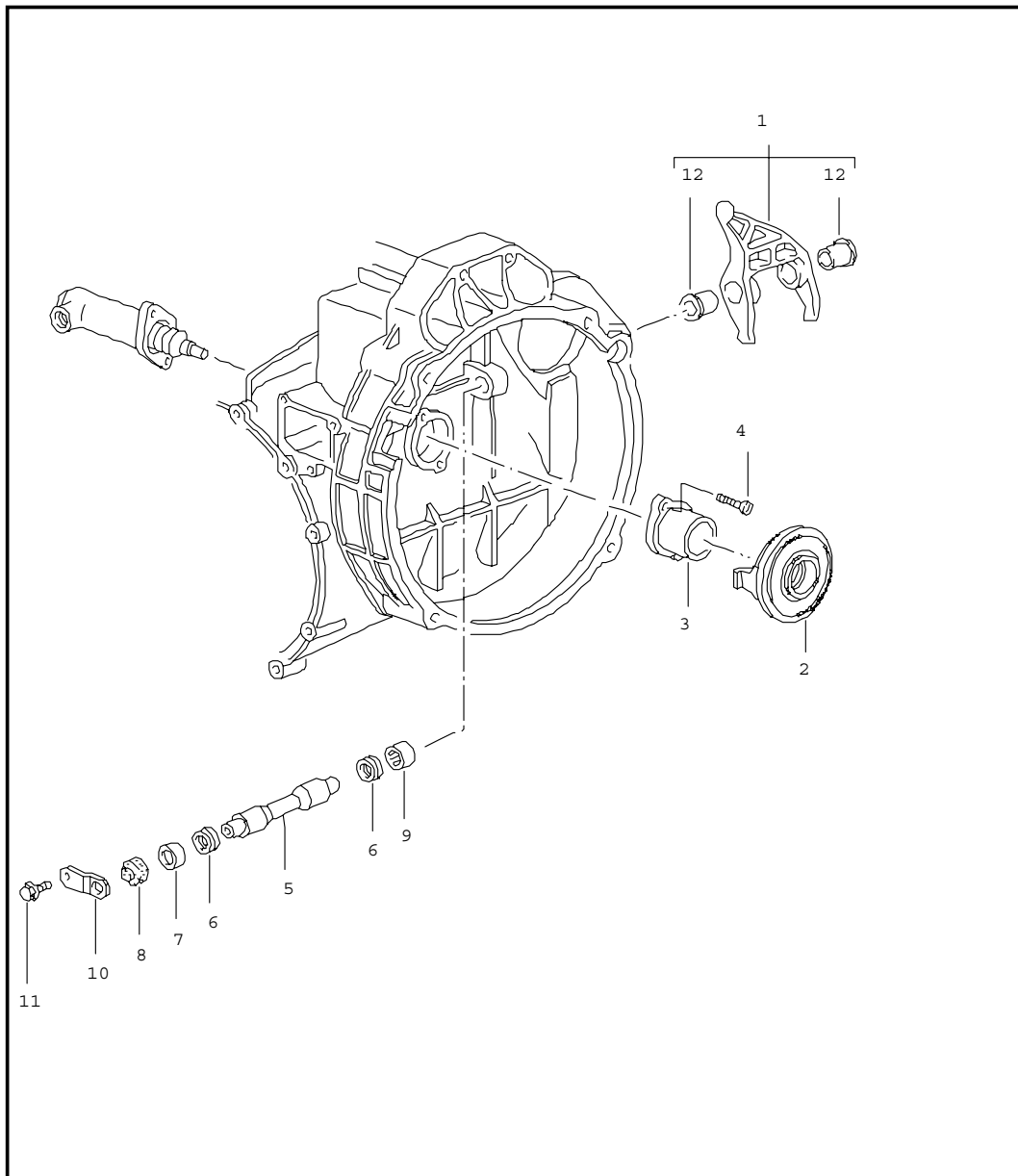
Pos	Part Number	Name	Remarks	Qty	Model
		clutch	M 101		M96.70S
1	996 116 015 88	clutch plate		1	
2	996 116 027 51	pressure plate		1	
3	999 510 015 02	pan-head screw M 8 X 40		9	
- - - E N D - - -					

Model	Year	MG	SG	Illustration	Restrictions	Update	12:02	25.11.2005	PORSCHE	PET	PORSCHE
996t	05	3	01	301-05		194					



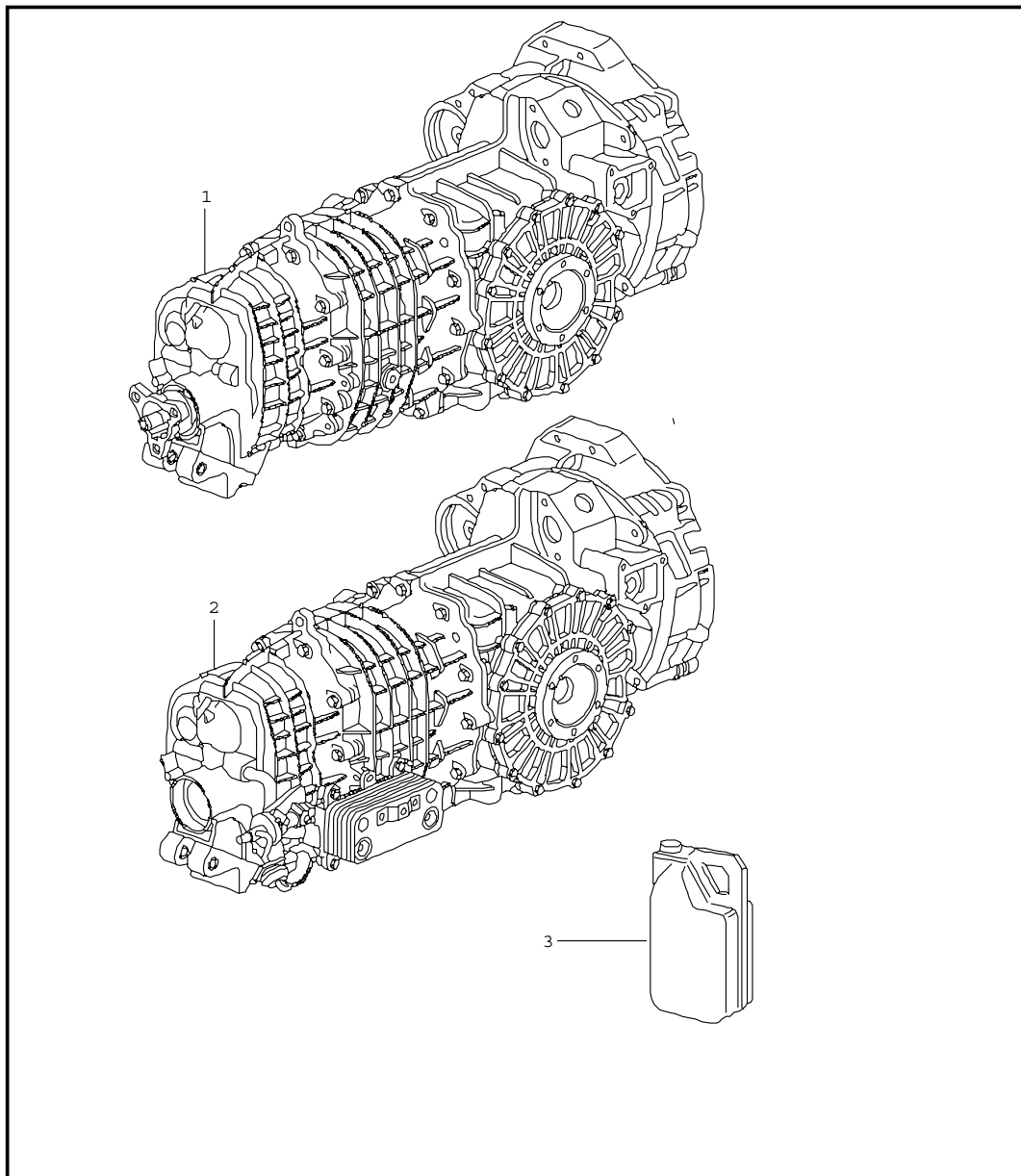
Pos	Part Number	Name	Remarks	Qty	Model
		clutch release clutch operating cylinder see group 7/02/08			G96.50
1	996 116 712 51	clutch release lever		1	
2	950 116 080 08	clutch release bearing		1	
3	950 116 813 06	guide tube		1	
4	999 270 070 02	countersunk-head screw M 6 X 14		2	
5	950 116 710 04	operating shaft		1	
6	999 113 418 40	gasket 13,02 X 16,4		2	
7	999 201 339 00	bush		1	
8	950 116 725 00	cover		1	
9	999 201 365 00	bush		1	
10	950 116 713 02	retaining bracket		1	
11	900 075 057 02	hexagon-head bolt M 6 X 16		1	
12	950 116 715 01	bush		2	
		- - - E N D - - -			

Model	Year	MG	SG	Illustration	Restrictions	Update	12:02	25.11.2005	PORSCHE	PET	PORSCHE
996t	05	3	01	301-06		194					



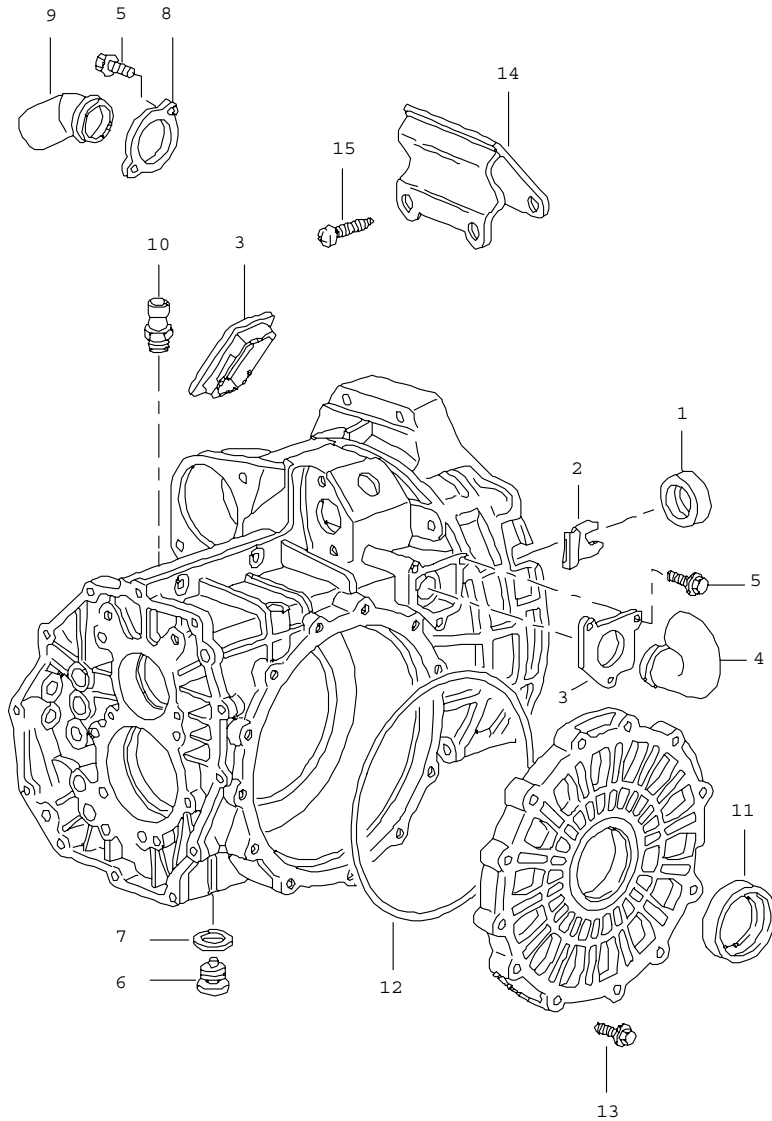
Pos	Part Number	Name	Remarks	Qty	Model
		clutch release clutch operating cylinder see group 7/02/08			G96.88
1	950 116 086 06	release fork		1	
2	950 116 080 08	clutch release bearing		1	
3	950 116 813 06	guide tube		1	
4	999 270 070 02	countersunk-head screw M 6 X 14		2	
5	950 116 710 04	operating shaft		1	
6	999 113 418 40	gasket 13,02 X 16,4		2	
7	999 201 339 00	bush		1	
8	950 116 725 00	cover		1	
9	999 201 365 00	bush		1	
10	950 116 713 02	retaining bracket		1	
11	900 075 057 02	hexagon-head bolt M 6 X 16		1	
		- - - E N D - - -			

Model	Year	MG	SG	Illustration	Restrictions	Update	12:02	25.11.2005	PORSCHE	PET	PORSCHE
996t	05	3	02	302-00		194					



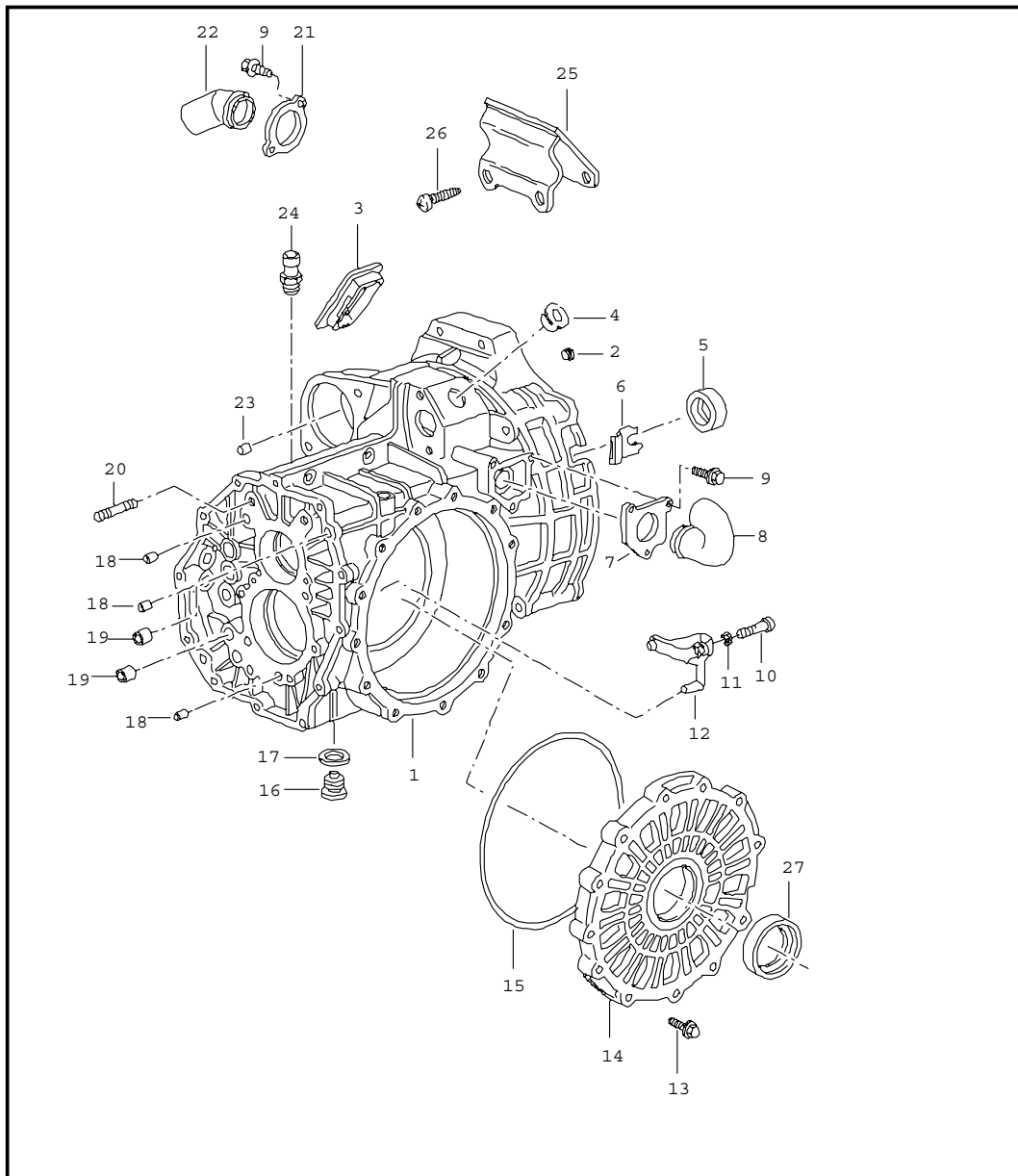
Pos	Part Number	Name	Remarks	Qty	Model
		replacement transmission ready for installation			G96.50 G96.88
1	> 996 300 010 50	replacement transmission without limited-slip differential		1	G96.50
(1)	996 300 010 55	replacement transmission without limited-slip differential	02-	1	G96.50 X 50
(1)	996 300 020 55	replacement transmission with limited-slip differential	04-	1	G96.50 IX 75
2	996 300 020 88	replacement transmission with limited-slip differential		1	G96.88
3	000 043 204 20	transmission oil MOBILUBE PTX 75 W 90 GEBINDE 20 LTR.		X	
- - - E N D - - -					

Model	Year	MG	SG	Illustration	Restrictions	Update	12:03	25.11.2005	PORSCHE	PET	PORSCHE
996t	05	3	02	302-01		194					



Pos	Part Number	Name	Remarks	Qty	Model
		transmission case			G96.50
1	999 113 326 41	shaft seal 26,5 X 40		1	
2	993 116 630 00	cap		1	
3	996 116 612 00	flange		1	
4	993 116 610 00	intake manifold		1	
5	900 378 035 09	hexagon-head bolt M 6 X 16		5	
6	999 063 008 02	screw plug with magnet M 22 X 1,5		1	
7	900 123 118 30	sealing ring		1	
8	996 116 710 00	flange		1	
9	993 116 610 00	connection piece		1	
10	996 301 071 00	bleeder 17 X 12 X 28,1		1	
11	999 113 347 40	shaft seal 48 X 68 X 10		2	
12	999 707 328 40	o-ring 205 X 3,5		1	
13	996 301 317 00	hexagon-head bolt M 8 X 35		12	
14	996 449 101 50	hook		1	
15	999 073 190 09	oval-head screw M 8 X 60		2 2	
--	996 332 209 50	joint flange		2	
		- - - E N D - - -			

Model	Year	MG	SG	Illustration	Restrictions	Update	12:03	25.11.2005	PORSCHE	PET	PORSCHE
996t	05	3	02	302-02		194					

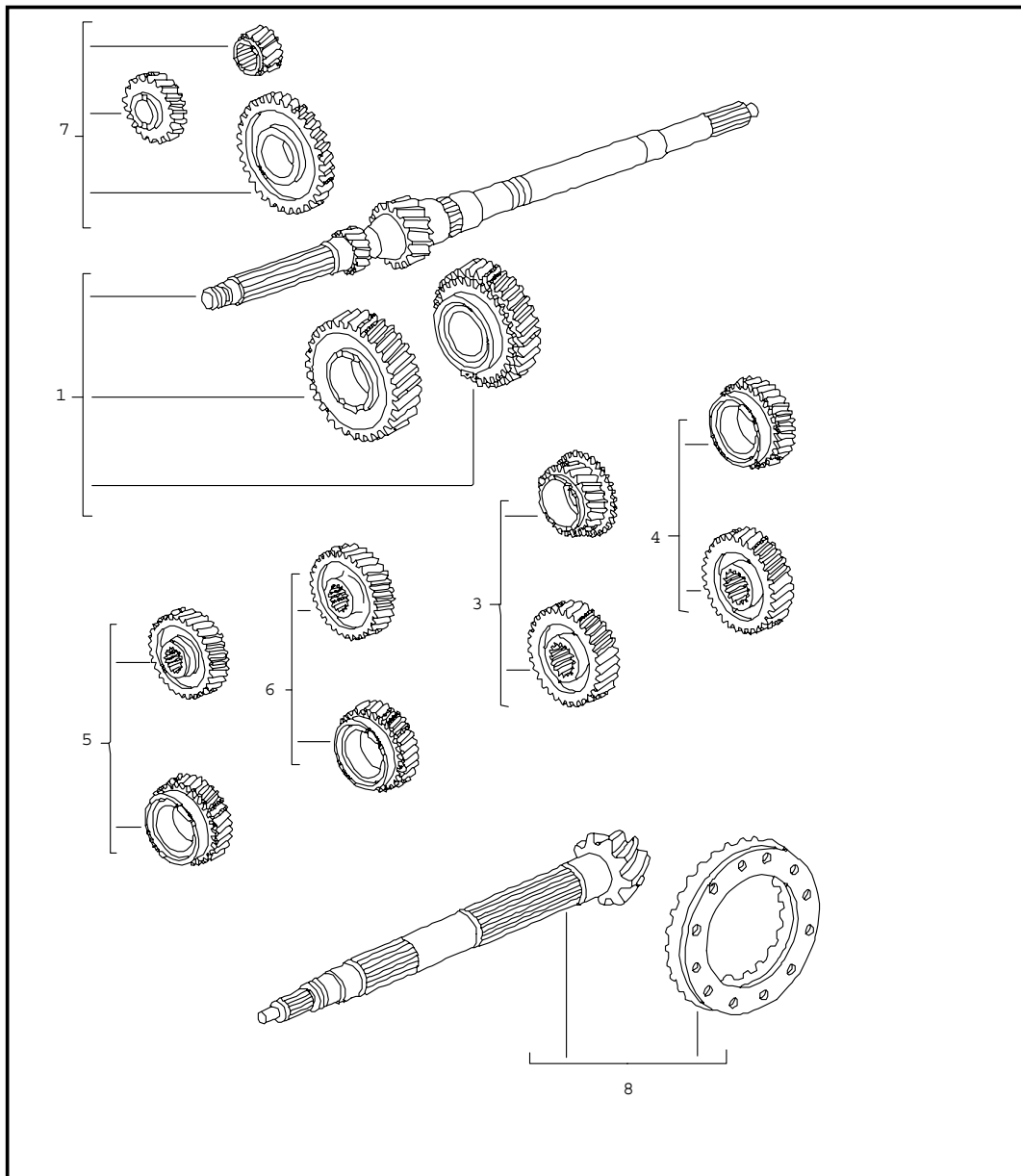


Pos	Part Number	Name	Remarks	Qty	Model
		transmission case			G96.88
1	996 301 101 88	transmission case		1	
2	999 036 002 40	cover A 14		1	
3	950 301 151 01	cap		1	
4	999 703 490 40	cover 30 X 42		1	
5	999 113 326 41	shaft seal 26,5 X 40		1	
6	993 116 630 00	cap		1	
7	996 116 612 00	flange		1	
8	993 116 610 00	intake manifold		1	
9	900 378 035 09	hexagon-head bolt M 6 X 16		5	
10	900 067 005 02	pan-head screw M 5 X 30		2	
11	900 025 003 02	washer A 5,3		2	
12	964 307 107 00	funnel		1	
13	996 301 317 00	hexagon-head bolt M 8 X 35		12	
14	996 301 312 50	transmission cover		1	
15	999 707 328 40	o-ring 205 X 3,5		1	
16	999 063 008 02	screw plug with magnet M 22 X 1,5		1	
17	900 123 118 30	sealing ring A 22 X 27		1	
18	900 012 144 00	straight pin 12 M 6 X 14		4	
19	996 303 513 00	bush 15 X 21 X 22		4	
20	900 081 042 02	stud BM 8 X 42		1	
21	996 116 710 00	flange		1	

Model	Year	MG	SG	Illustration	Restrictions	Update	12:03	25.11.2005	PORSCHE	PET	PORSCHE
996t	05	3	02	302-02		194					

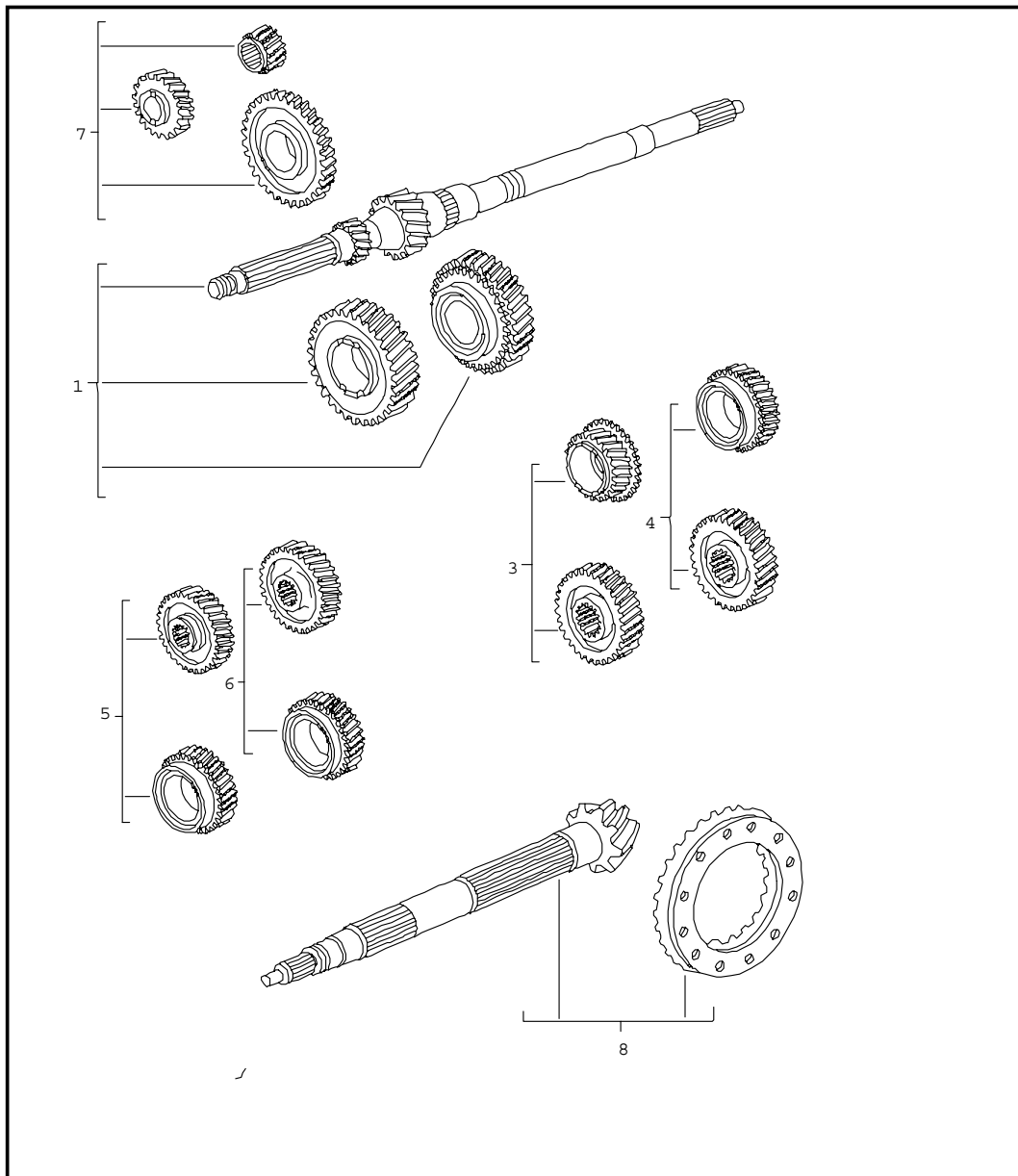
Pos	Part Number	Name	Remarks	Qty	Model	Pos	Part Number	Name	Remarks	Qty	Model
22	993 116 610 00	connection piece		1							
23	999 531 017 10	bush 12,1 X 14		1							
24	996 301 071 00	bleeder 17 X 12 X 28,1		1							
25	996 449 101 50	hook		2							
26	999 073 190 09	oval-head screw M 8 X 60		2							
		- - - E N D - - -									

Model	Year	MG	SG	Illustration	Restrictions	Update	12:03	25.11.2005	PORSCHE	PET	PORSCHE
996t	05	3	03	303-00		194					



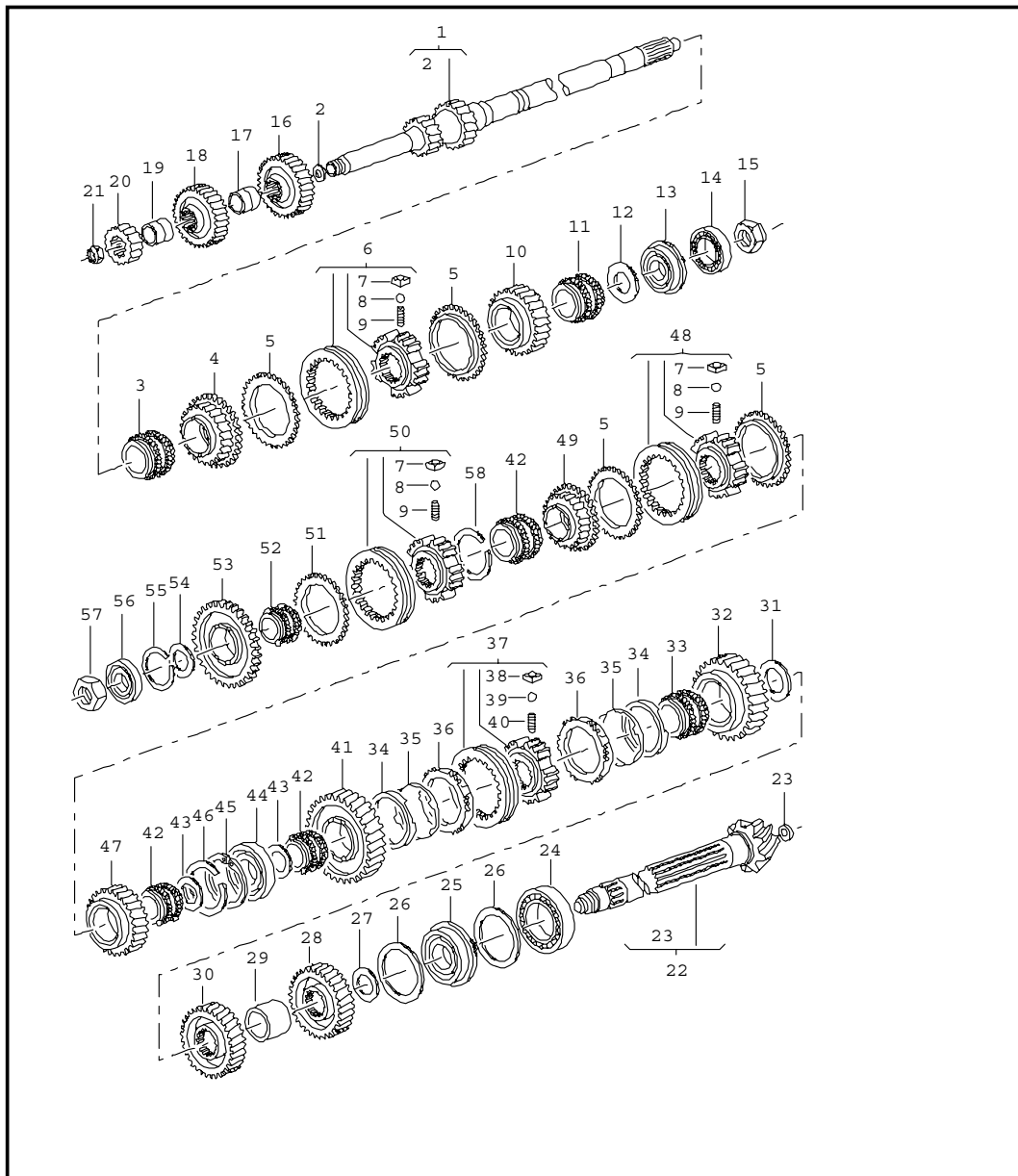
Pos	Part Number	Name	Remarks	Qty	Model
		gear sets	X50		G96.50 G96.50
		see technical information group 3 NR.1 / 03 NR.2 / 03			
1	996 302 901 50	gear set 1st/2nd gear 1st gear Z = 42 : 11 2nd gear Z = 43 : 21		1	
-	996 302 042 50	loose gear wheel 2nd gear Z = 43 : 21		1	
3	996 302 953 02	gear set 3rd speed Z = 38 : 27		1	
-	996 302 093 93	loose gear wheel 3rd speed Z = 38 : 27		1	
		- - - E N D - - -			

Model	Year	MG	SG	Illustration	Restrictions	Update	12:03	25.11.2005	PORSCHE	PET	PORSCHE
996t	05	3	03	303-01		194					



Pos	Part Number	Name	Remarks	Qty	Model
		gear sets			G96.88
1	996 302 901 50	gear set 1st/2nd gear 1st gear Z = 42 : 11 2nd gear Z = 43 : 21		1	
3	996 302 953 03	gear set 3rd speed Z = 38 : 27		1	
4	996 302 954 03	gear set 4th speed Z = 38 : 34		1	
5	996 302 955 50	gear set 5th speed Z = 34 : 37		1	
6	996 302 956 50	gear set 6th gear Z = 30 : 40		1	
7	996 302 907 50	gear set reverse gear		1	
8	950 302 911 71	ring gear and pinion shaft 31 : 9		1	
		- - - E N D - - -			

Model	Year	MG	SG	Illustration	Restrictions	Update	12:04	25.11.2005	PORSCHE	PET	PORSCHE
996t	05	3	03	303-10		194					



Pos	Part Number	Name	Remarks	Qty	Model
		gears and shafts	X50		G96.50 G96.50
		see technical information group 3 NR.1 / 03 NR.2 / 03			
		gear sets see group 3/03/00			
1	-	drive shaft		1	
2	964 302 335 02	washer 7 MM		1	
3	999 201 442 00	needle-roller bearing 42 X 47 X 32		1	
4	-	loose gear wheel 3rd speed		1	
5	928 304 211 23	synchroniser ring		4	
6	996 304 021 51	guide sleeve 3rd, 4th speed		1	
7	928 304 251 00	stone		9	
8	N 025 653 2	ball 6,5 MM		9	
9	928 304 261 01	compression spring		9	
10	-	loose gear wheel 4th speed		1	
11	999 201 437 06	needle-roller bearing 35 X 47 X 32,2		1	
12	996 302 294 50	thrust washer 4th speed		1	
13	999 052 094 00	angular-contact bearing 30 X 62 X 16		1	
14	999 110 117 01	cylindrical-roller bearing 30 X 62 X 16		1	
15	999 034 033 00	hexagon nut M 30 X 1,5		1	
16	-	fixed gear wheel 6th gear		1	

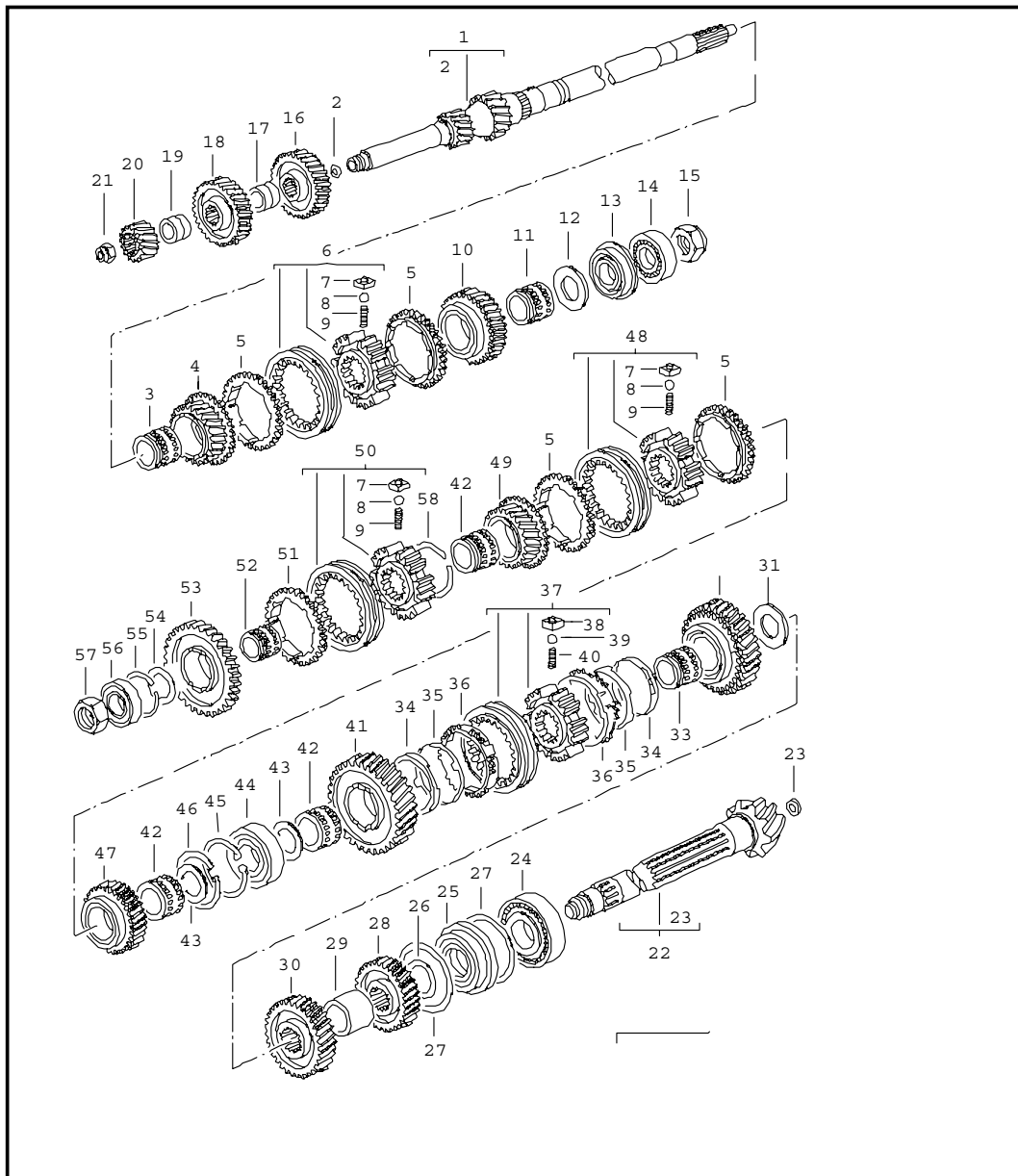
Model	Year	MG	SG	Illustration	Restrictions	Update	12:04	25.11.2005	PORSCHE	PET	PORSCHE
996t	05	3	03	303-10		194					

Pos	Part Number	Name	Remarks	Qty	Model	Pos	Part Number	Name	Remarks	Qty	Model
17	950 302 268 12	spacer sleeve 5th speed and 6th gear		1		26	996 302 163 60	shim 90 X 97 X 1,00		X	
18	-	fixed gear wheel 5th speed				26	996 302 163 61	shim 90 X 97 X 1,05		X	
19	950 302 270 02	spacer sleeve		1		26	996 302 163 62	shim 90 X 97 X 1,10		X	
20	-	fixed gear wheel reverse gear		1		26	996 302 163 63	shim 90 X 97 X 1,15		X	
21	999 034 035 00	hexagon nut M 22 X 1,5		1		26	996 302 163 64	shim 90 X 97 X 1,20		X	
22	-	pinion shaft		1		26	996 302 163 65	shim 90 X 97 X 1,25		X	
23	964 302 335 01	washer 14,5		1		26	996 302 163 66	shim 90 X 97 X 1,30		X	
24	999 110 119 01	cylindrical-roller bearing 40 X 90 X 23		1		26	996 302 163 67	shim 90 X 97 X 1,35		X	
25	999 052 164 00	angular-contact bearing 40 X 82 X 18		1		26	996 302 163 68	shim 90 X 97 X 1,40		X	
26	996 302 163 50	shim 90 X 97 X 0,50		X		26	996 302 163 69	shim 90 X 97 X 1,45		X	
26	996 302 163 51	shim 90 X 97 X 0,55		X		26	996 302 163 70	shim 90 X 97 X 1,50		X	
26	996 302 163 52	shim 90 X 97 X 0,60		X		26	996 302 163 71	shim 90 X 97 X 1,55		X	
26	996 302 163 53	shim 90 X 97 X 0,65		X		26	996 302 163 72	shim 90 X 97 X 1,60		X	
26	996 302 163 54	shim 90 X 97 X 0,70		X		27	996 302 151 50	shim 40 X 50 X 0,40		X	
26	996 302 163 55	shim 90 X 97 X 0,75		X		27	996 302 151 51	shim 40 X 50 X 0,45		X	
26	996 302 163 56	shim 90 X 97 X 0,80		X		27	996 302 151 52	shim 40 X 50 X 0,50		X	
26	996 302 163 57	shim 90 X 97 X 0,85		X		27	996 302 151 53	shim 40 X 50 X 0,55		X	
26	996 302 163 58	shim 90 X 97 X 0,90		X		27	996 302 151 54	shim 40 X 50 X 0,60		X	
26	996 302 163 59	shim 90 X 97 X 0,95		X		27	996 302 151 55	shim 40 X 50 X 0,65		X	

Model	Year	MG	SG	Illustration	Restrictions	Update	12:04	25.11.2005	PORSCHE	PET	PORSCHE
996t	05	3	03	303-10		194					

Pos	Part Number	Name	Remarks	Qty	Model	Pos	Part Number	Name	Remarks	Qty	Model
27	996 302 151 56	shim 40 X 50 X 0,70		X		41	-	loose gear wheel 1st gear		1	
27	996 302 151 57	shim 40 X 50 X 0,80		X		42	999 201 239 06	needle-roller bearing 35 X 50 X 32,2		3	
27	996 302 151 58	shim 40 X 50 X 0,90		X		43	950 302 295 07	thrust washer 1st gear and 6th gear		2	
27	996 302 151 59	shim 40 X 50 X 1,00		X		44	999 110 109 01	cylindrical-roller bearing 35 X 80 X 18		1	
27	996 302 151 60	shim 40 X 50 X 1,10		X		45	999 152 106 00	circlip		1	
27	996 302 151 61	shim 40 X 50 X 1,20		X		46	N 100 709 01	snap ring SP 80		1	
27	996 302 151 62	shim 40 X 50 X 1,30		X		47	-	loose gear wheel 6th gear		1	
27	996 302 151 63	shim 40 X 50 X 0,75		X		48	950 304 021 23	guide sleeve 5th speed and 6th gear		1	
28	-	fixed gear wheel 4th speed		1		49	-	loose gear wheel 5th speed		1	
29	950 302 267 02	spacer sleeve		1		50	996 304 021 50	guide sleeve reverse gear		1	
30	-	fixed gear wheel 3rd speed		1		51	928 304 211 24	synchroniser ring reverse gear		1	
31	950 302 292 00	thrust washer 2nd gear		1		52	999 201 253 00	needle-roller bearing 32 X 45 X 27,2		1	
32	-	loose gear wheel 2nd gear		1		53	-	loose gear wheel reverse gear		1	
33	999 201 225 04	needle-roller bearing 39,68 X 50		1		54	950 302 296 07	thrust washer reverse gear		1	
34	950 304 617 20	ring		2		55	999 152 024 01	snap ring 62 X 1,50		1	
35	996 304 613 20	cone ring		2		56	999 110 192 00	cylindrical-roller bearing 30 X 62 X 16		1	
36	950 304 611 20	synchroniser ring		2		57	999 034 034 00	hexagon nut M 30 X 1,25		1	
37	996 304 061 50	guide sleeve 1st/2nd gear		1		58	999 152 111 00	snap ring 78 X 1,50		1	
38	950 304 651 00	stone		3							
39	900 108 058 00	ball 5 MM		3							
40	950 304 661 03	compression spring		3							
								- - - E N D - - -			

Model	Year	MG	SG	Illustration	Restrictions	Update	12:04	25.11.2005	PORSCHE	PET	PORSCHE
996t	05	3	03	303-11		194					



Pos	Part Number	Name	Remarks	Qty	Model
		gears and shafts			G96.88
		gear sets see group 3/03/00			
1	-	drive shaft		1	
2	964 302 335 02	washer 7 MM		1	
3	999 201 442 00	needle-roller bearing 42 X 47 X 32		1	
4	-	loose gear wheel 3rd speed		1	
5	928 304 211 23	synchroniser ring		4	
6	996 304 021 51	guide sleeve 3rd, 4th speed		1	
7	928 304 251 00	stone		9	
8	N 025 653 2	ball 6,5 MM		9	
9	928 304 261 01	compression spring		9	
10	-	loose gear wheel 4th speed		1	
11	999 201 437 06	needle-roller bearing 35 X 47 X 32,2		1	
12	996 302 294 50	thrust washer 4th speed		1	
13	999 052 094 00	angular-contact bearing 30 X 62 X 16		1	
14	999 110 117 01	cylindrical-roller bearing 30 X 62 X 16		1	
15	999 034 033 00	hexagon nut M 30 X 1,5		1	
16	-	fixed gear wheel 6th gear		1	
17	950 302 268 12	spacer sleeve 5th speed and 6th gear		1	
18	-	fixed gear wheel 5th speed			

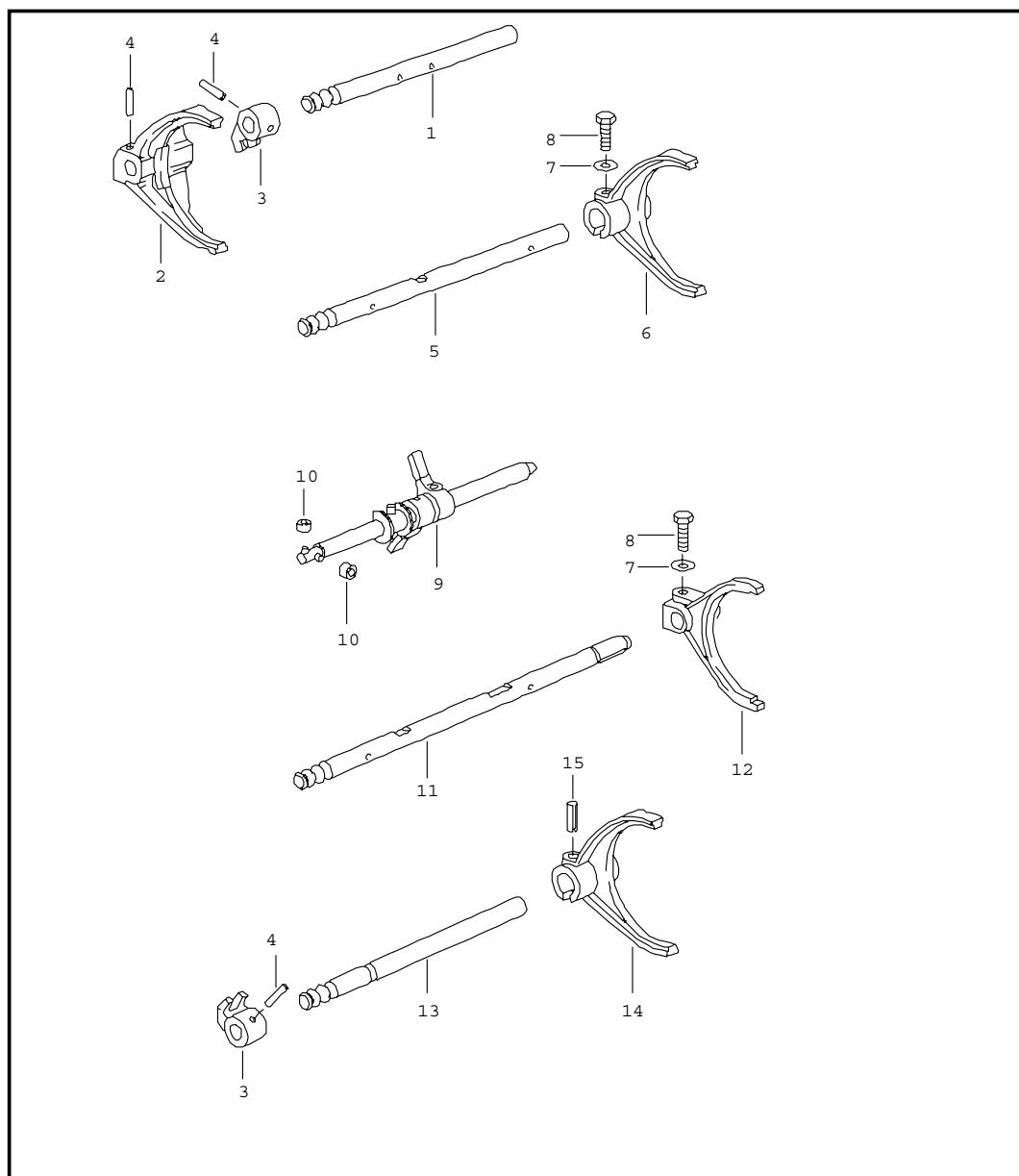
Model	Year	MG	SG	Illustration	Restrictions	Update	12:04	25.11.2005	PORSCHE	PET	PORSCHE
996t	05	3	03	303-11		194					

Pos	Part Number	Name	Remarks	Qty	Model	Pos	Part Number	Name	Remarks	Qty	Model
19	950 302 270 02	spacer sleeve		1		26	996 302 163 63	shim 90 X 97 X 1,15		X	
20	-	fixed gear wheel reverse gear		1		26	996 302 163 64	shim 90 X 97 X 1,20		X	
21	999 034 035 00	hexagon nut M 22 X 1,5		1		26	996 302 163 65	shim 90 X 97 X 1,25		X	
22	-	pinion shaft		1		26	996 302 163 66	shim 90 X 97 X 1,30		X	
23	964 302 335 01	washer 14,5		1		26	996 302 163 67	shim 90 X 97 X 1,35		X	
24	999 110 119 01	cylindrical-roller bearing 40 X 90 X 23		1		26	996 302 163 68	shim 90 X 97 X 1,40		X	
25	999 052 164 00	angular-contact bearing 40 X 82 X 18		1		26	996 302 163 69	shim 90 X 97 X 1,45		X	
26	996 302 163 50	shim 90 X 97 X 0,50		X		26	996 302 163 70	shim 90 X 97 X 1,50		X	
26	996 302 163 51	shim 90 X 97 X 0,55		X		26	996 302 163 71	shim 90 X 97 X 1,55		X	
26	996 302 163 52	shim 90 X 97 X 0,60		X		26	996 302 163 72	shim 90 X 97 X 1,60		X	
26	996 302 163 53	shim 90 X 97 X 0,65		X		27	996 302 151 50	shim 40 X 50 X 0,40		X	
26	996 302 163 54	shim 90 X 97 X 0,70		X		27	996 302 151 51	shim 40 X 50 X 0,45		X	
26	996 302 163 55	shim 90 X 97 X 0,75		X		27	996 302 151 52	shim 40 X 50 X 0,50		X	
26	996 302 163 56	shim 90 X 97 X 0,80		X		27	996 302 151 53	shim 40 X 50 X 0,55		X	
26	996 302 163 57	shim 90 X 97 X 0,85		X		27	996 302 151 54	shim 40 X 50 X 0,60		X	
26	996 302 163 58	shim 90 X 97 X 0,90		X		27	996 302 151 55	shim 40 X 50 X 0,65		X	
26	996 302 163 59	shim 90 X 97 X 0,95		X		27	996 302 151 56	shim 40 X 50 X 0,70		X	
26	996 302 163 60	shim 90 X 97 X 1,00		X		27	996 302 151 57	shim 40 X 50 X 0,80		X	
26	996 302 163 61	shim 90 X 97 X 1,05		X		27	996 302 151 58	shim 40 X 50 X 0,90		X	
26	996 302 163 62	shim 90 X 97 X 1,10		X							

Model	Year	MG	SG	Illustration	Restrictions	Update	12:04	25.11.2005	PORSCHE	PET	PORSCHE
996t	05	3	03	303-11		194					

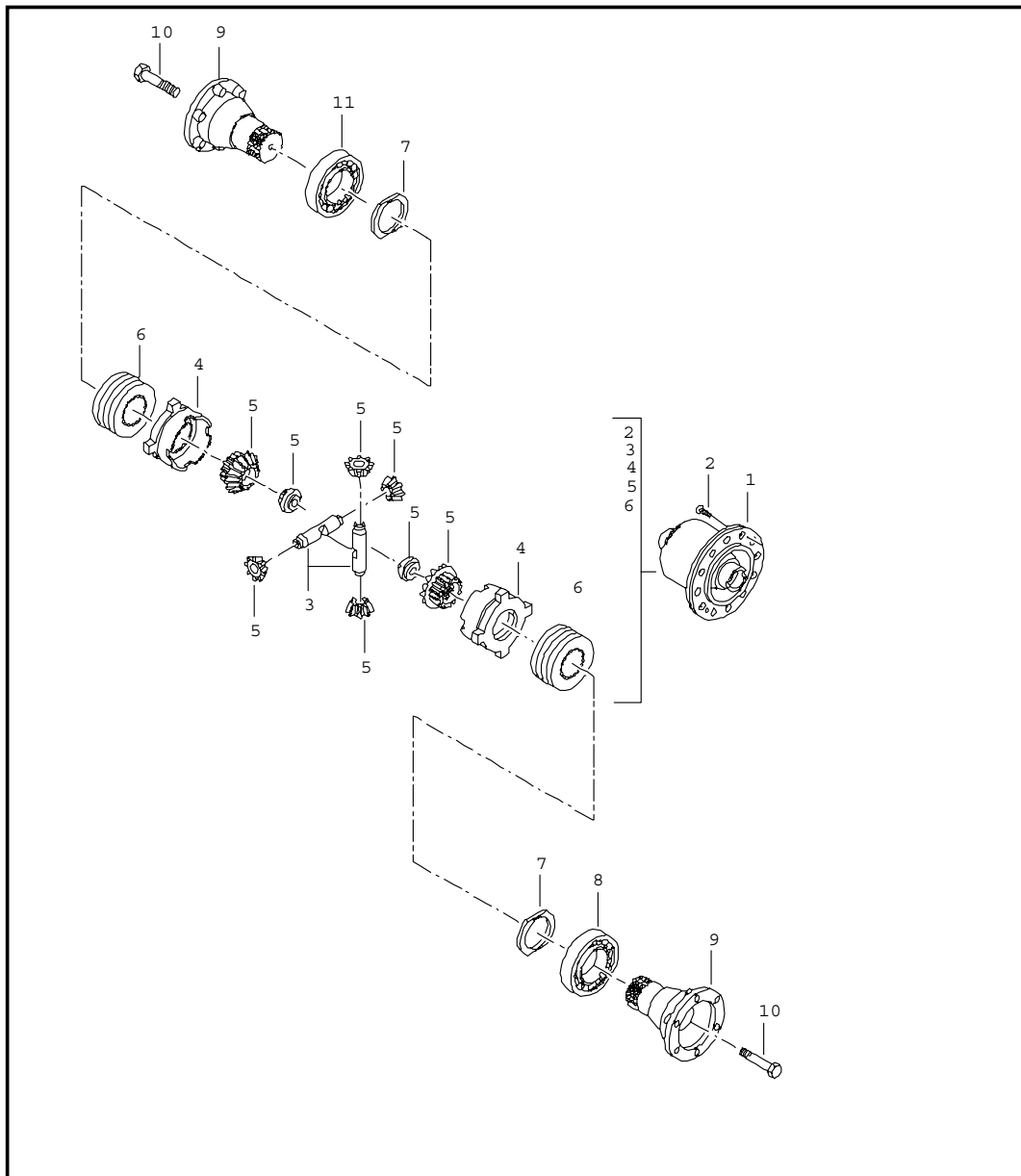
Pos	Part Number	Name	Remarks	Qty	Model	Pos	Part Number	Name	Remarks	Qty	Model
27	996 302 151 59	shim 40 X 50 X 1,00		X		43	950 302 295 07	thrust washer 1st gear and 6th gear		2	
27	996 302 151 60	shim 40 X 50 X 1,10		X		44	999 110 109 01	cylindrical-roller bearing 35 X 80 X 18		1	
27	996 302 151 61	shim 40 X 50 X 1,20		X		45	999 152 106 00	circlip		1	
27	996 302 151 62	shim 40 X 50 X 1,30		X		46	N 100 709 01	snap ring SP 80		1	
27	996 302 151 63	shim 40 X 50 X 0,75		X		47	-	loose gear wheel 6th gear		1	
28	-	fixed gear wheel 4th speed		1		48	950 304 021 23	guide sleeve 5th speed and 6th gear		1	
(29)	964 307 331 01	drive wheel oil pump		1		49	-	loose gear wheel 5th speed		1	
30	-	fixed gear wheel 3rd speed		1		50	996 304 021 50	guide sleeve reverse gear		1	
31	950 302 292 00	thrust washer 2nd gear		1		51	928 304 211 24	synchroniser ring reverse gear		1	
32	-	loose gear wheel 2nd gear		1		52	999 201 253 00	needle-roller bearing 32 X 45 X 27,2		1	
33	999 201 471 02	needle-roller bearing 45 X 50 X 32		1		53	-	loose gear wheel reverse gear		1	
34	950 304 617 20	ring		2		54	950 302 296 07	thrust washer reverse gear		1	
35	996 304 613 20	cone ring		2		55	999 152 024 01	snap ring 62 X 1,50		1	
36	950 304 611 20	synchroniser ring		2		56	999 110 192 00	cylindrical-roller bearing 30 X 62 X 16		1	
37	996 304 061 50	guide sleeve 1st/2nd gear		1		57	999 034 034 00	hexagon nut M 30 X 1,25		1	
38	950 304 651 00	stone		3		58	999 152 111 00	snap ring 78 X 1,50		1	
39	900 108 058 00	ball 5 MM		3				- - - E N D - - -			
40	950 304 661 03	compression spring		3							
41	-	loose gear wheel 1st gear		1							
42	999 201 239 06	needle-roller bearing 35 X 50 X 32,2		3							

Model	Year	MG	SG	Illustration	Restrictions	Update	12:04	25.11.2005	PORSCHE	PET	PORSCHE
996t	05	3	04	304-01		194					



Pos	Part Number	Name	Remarks	Qty	Model
		gear shift rod			G96.88
		shift fork			
		shift rod			
1	996 303 103 52	gear shift rod 3rd, 4th speed		1	
2	996 303 113 51	shift fork 3rd, 4th speed		1	
3	996 303 121 50	driver		2	
4	996 303 301 00	spiral clamping pin		3	
5	996 303 106 51	gear shift rod 5th speed and 6th gear		1	
6	996 303 116 50	shift fork 5th speed and 6th gear		1	
7	900 025 007 02	washer A 8,4		2	
8	900 075 099 02	hexagon-head bolt M 8 X 30		2	
9	996 303 021 52	shift rod		1	
10	996 303 403 00	roller 10 X 5 X 3		4	
11	996 303 105 52	gear shift rod reverse gear		1	
12	996 303 115 50	shift fork reverse gear		1	
13	996 303 101 51	gear shift rod 1st/2nd gear		1	
14	996 303 111 51	shift fork 1st/2nd gear		1	
15	900 095 017 01	roll pin 5,0 X 24		2	
		- - - E N D - - -			

Model	Year	MG	SG	Illustration	Restrictions	Update	12:05	25.11.2005	PORSCHE	PET	PORSCHE
996t	05	3	05	305-05		194					

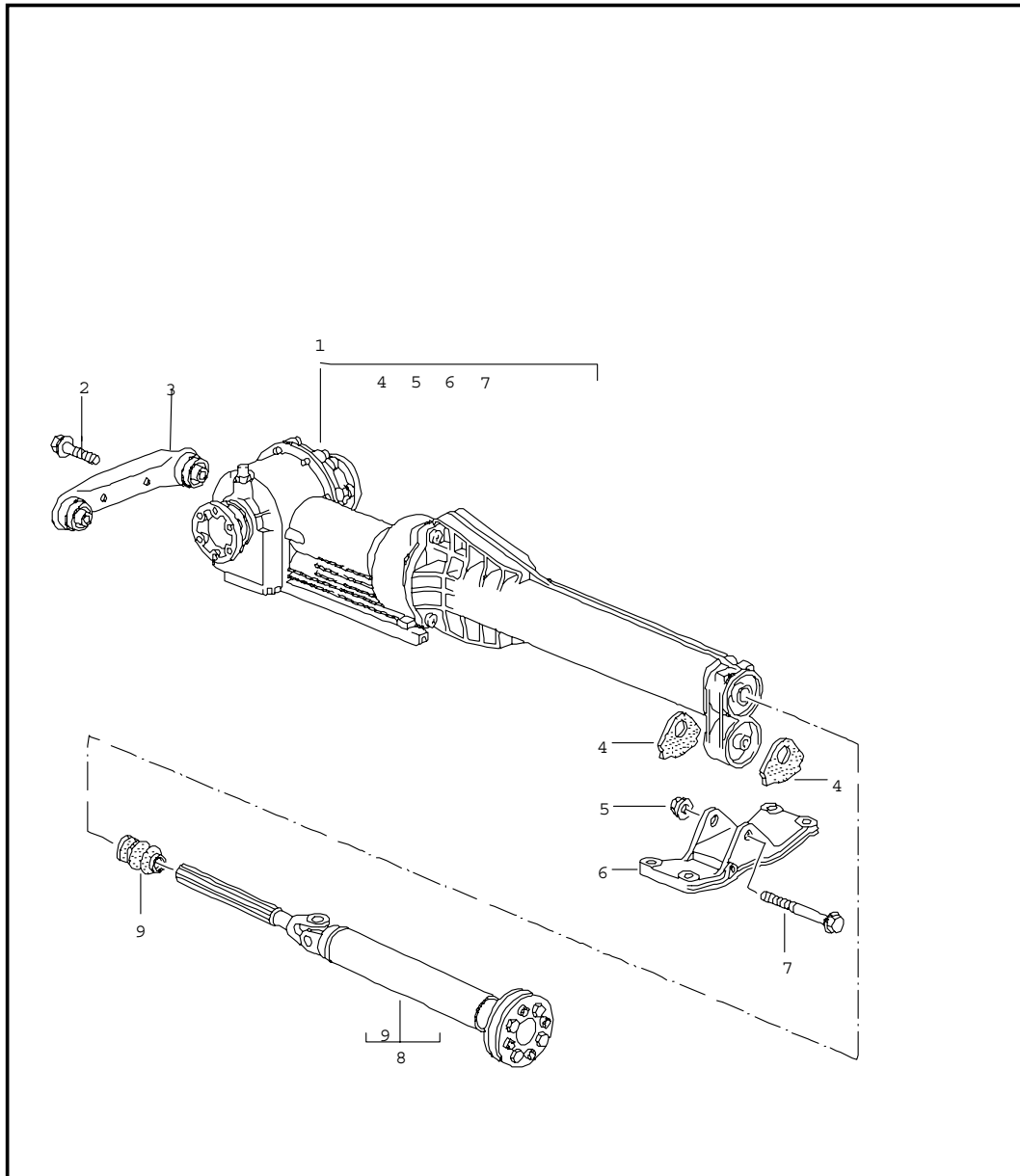


Pos	Part Number	Name	Remarks	Qty	Model
		limited-slip differential complete and repair kits			G96.88
1	996 332 083 9B	limited-slip differential 40/65 % FA. GKN		1	
2	950 332 983 03	countersunk-head screw set FA.GKN		1	
3	950 332 983 06	axle set FA.GKN		1	
4	950 332 983 05	ring set FA.GKN		1	
5	950 332 983 02	gear set FA.GKN		1	
6	950 332 983 36	disc pack FA.GKN		1	
7	996 332 266 50	adjusting ring 50,4 X 65 X 1,50		X	
7	996 332 266 51	adjusting ring 50,4 X 65 X 1,55		X	
7	996 332 266 52	adjusting ring 50,4 X 65 X 1,60		X	
7	996 332 266 53	adjusting ring 50,4 X 65 X 1,65		X	
7	996 332 266 54	adjusting ring 50,4 X 65 X 1,70		X	
7	996 332 266 55	adjusting ring 50,4 X 65 X 1,75		X	
7	996 332 266 56	adjusting ring 50,4 X 65 X 1,80		X	
7	996 332 266 57	adjusting ring 50,4 X 65 X 1,85		X	
7	996 332 266 58	adjusting ring 50,4 X 65 X 1,90		X	
7	996 332 266 59	adjusting ring 50,4 X 65 X 1,95		X	

Model	Year	MG	SG	Illustration	Restrictions	Update	12:05	25.11.2005	PORSCHE	PET	PORSCHE
996t	05	3	05	305-05		194					

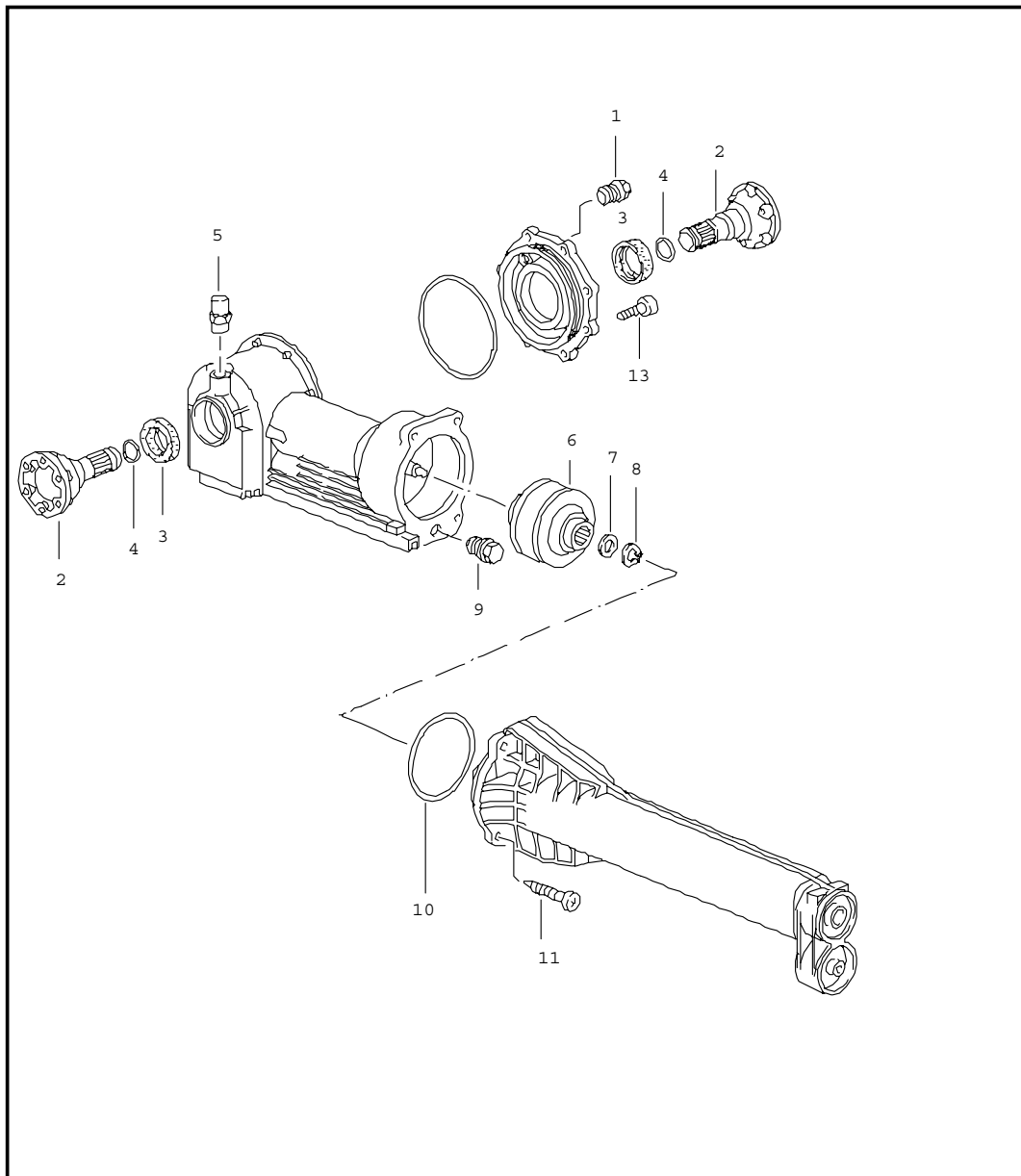
Pos	Part Number	Name	Remarks	Qty	Model	Pos	Part Number	Name	Remarks	Qty	Model
7	996 332 266 60	adjusting ring 50,4 X 65 X 2,00		X		10	N 010 472 4	hexagon-head bolt M 10 X 85		2	
7	996 332 266 61	adjusting ring 50,4 X 65 X 2,05		X				- - - E N D - - -			
7	996 332 266 62	adjusting ring 50,4 X 65 X 2,10		X							
7	996 332 266 63	adjusting ring 50,4 X 65 X 2,15		X							
7	996 332 266 64	adjusting ring 50,4 X 65 X 2,20		X							
7	996 332 266 65	adjusting ring 50,4 X 65 X 2,25		X							
7	996 332 266 66	adjusting ring 50,4 X 65 X 2,30		X							
7	996 332 266 67	adjusting ring 50,4 X 65 X 2,35		X							
7	996 332 266 68	adjusting ring 50,4 X 65 X 2,40		X							
7	996 332 266 69	adjusting ring 50,4 X 65 X 2,45		X							
7	996 332 266 70	adjusting ring 50,4 X 65 X 2,50		X							
7	996 332 266 71	adjusting ring 50,4 X 65 X 2,55		X							
7	996 332 266 72	adjusting ring 50,4 X 65 X 2,60		X							
7	996 332 266 73	adjusting ring 50,4 X 65 X 2,65		X							
7	996 332 266 74	adjusting ring 50,4 X 65 X 2,70		X							
7	996 332 266 75	adjusting ring 50,4 X 65 X 2,75		X							
7	996 332 266 76	adjusting ring 50,4 X 65 X 2,80		X							
8	999 059 064 00	taper roller bearing 50 X 90		1							
(8)	999 059 066 01	taper roller bearing 50 X 80 X 20		1							
9	950 332 209 01	joint flange		2							

Model	Year	MG	SG	Illustration	Restrictions	Update	12:05	25.11.2005	PORSCHE	PET	PORSCHE
996t	05	3	05	305-10		194					



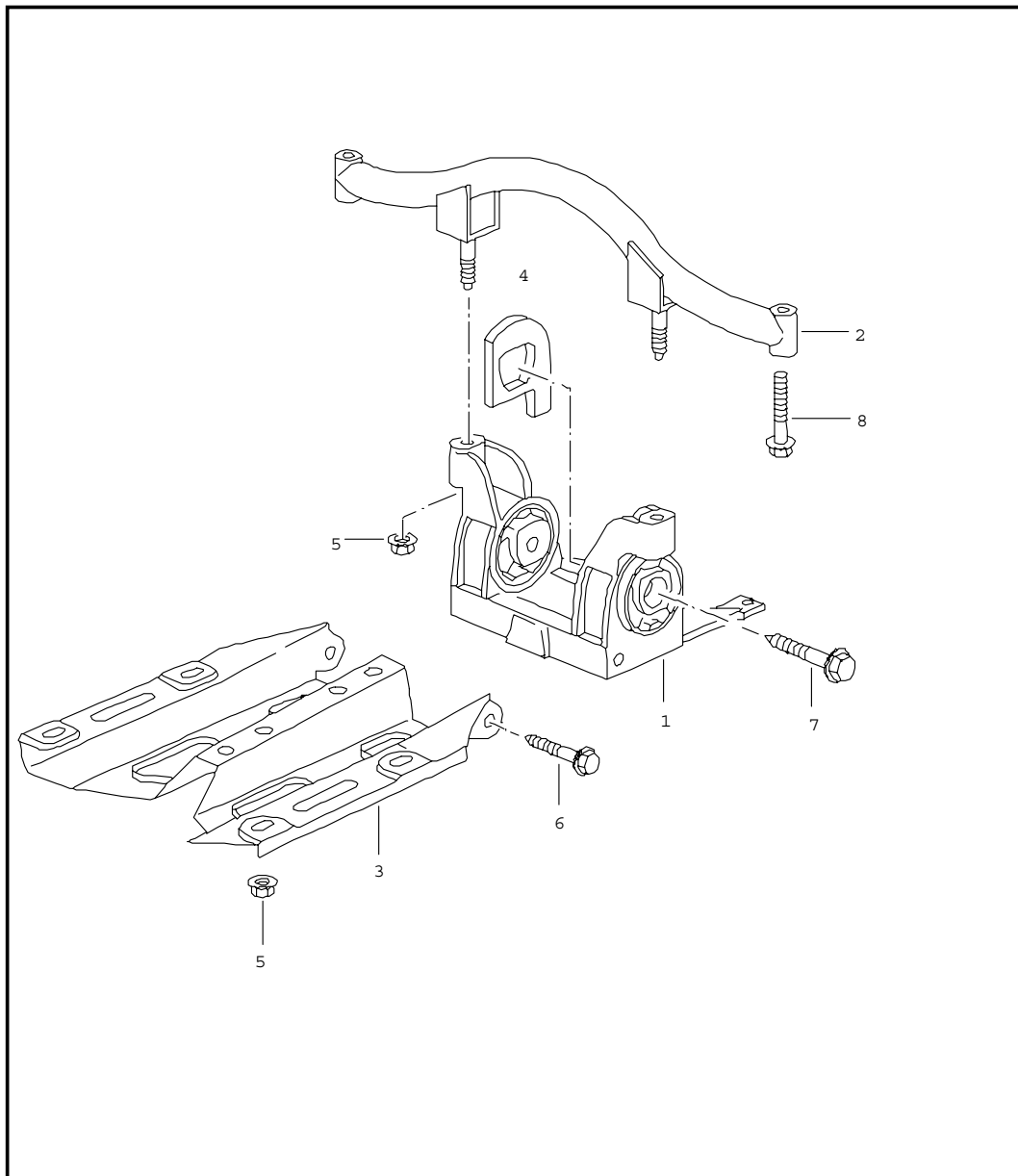
Pos	Part Number	Name	Remarks	Qty	Model
		front-axle final drive cardan shaft			Z96.00
		see technical information group 3 NR.3 / 03			
1	996 349 010 02	front-axle final drive ready for installation		1	
2	999 072 034 09	conical screw M 10 X 28		2	
3	996 375 034 00	transmission carrier front		1	
4	996 375 257 01	stop		2	
5	900 380 008 09	hexagon nut M 10		1	
6	996 375 343 03	transmission carrier rear		1	
7	900 378 142 09	hexagon-head bolt M 10 X 90		1	
8	996 421 020 50	cardan shaft		1	
9	996 421 145 01	boot		1	
10	996 375 054 02	transmission mounting rear		1	
--	999 061 105 09	stud M 10 X 90		2	
--	900 380 008 09	hexagon nut M 10 mount front-axle final drive cross member		2	
		- - - E N D - - -			

Model	Year	MG	SG	Illustration	Restrictions	Update	12:05	25.11.2005	PORSCHE	PET	PORSCHE
996t	05	3	05	305-15		194					



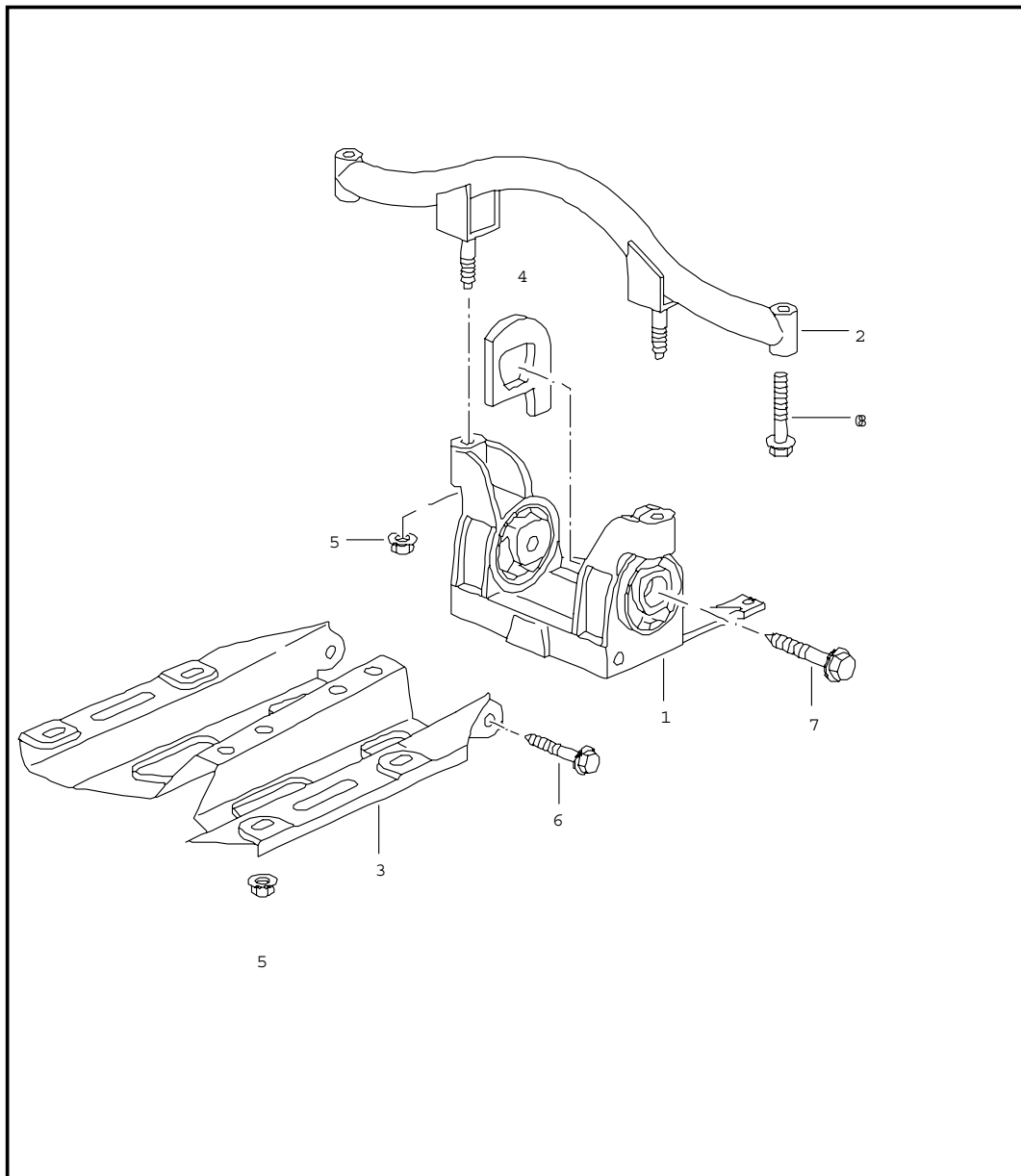
Pos	Part Number	Name	Remarks	Qty	Model
		front-axle final drive			Z96.00
		viscous clutch			
		single parts			
1	N 016 161 1	screw plug M 18 X 1,5		1	
2	996 332 309 00	joint flange		2	
3	999 113 454 40	shaft seal 40 X 60 X 9		2	
4	996 332 311 00	snap ring 2,5 X 20		2	
5	996 301 071 00	bleeder 17 X 12		1	
6	996 339 021 02	viscous clutch		1	
7	900 234 174 00	support washer 20 X 28 X 2,0		1	
8	999 041 021 01	circlip 20 X 1,2		1	
9	900 124 025 02	screw plug M 18 X 1,5 PM		1	
10	999 707 455 40	o-ring 123 X 3		1	
11	N 903 660 01	pan-head screw M 8 X 36		4	
--	996 337 411 00	protection cap		1	
12	---	o-ring		1	
13	N 903 660 01	torx screw M 8 X 36		8	
		- - - E N D - - -			

Model	Year	MG	SG	Illustration	Restrictions	Update	12:05	25.11.2005	PORSCHE	PET	PORSCHE
996t	05	3	06	306-00		194					



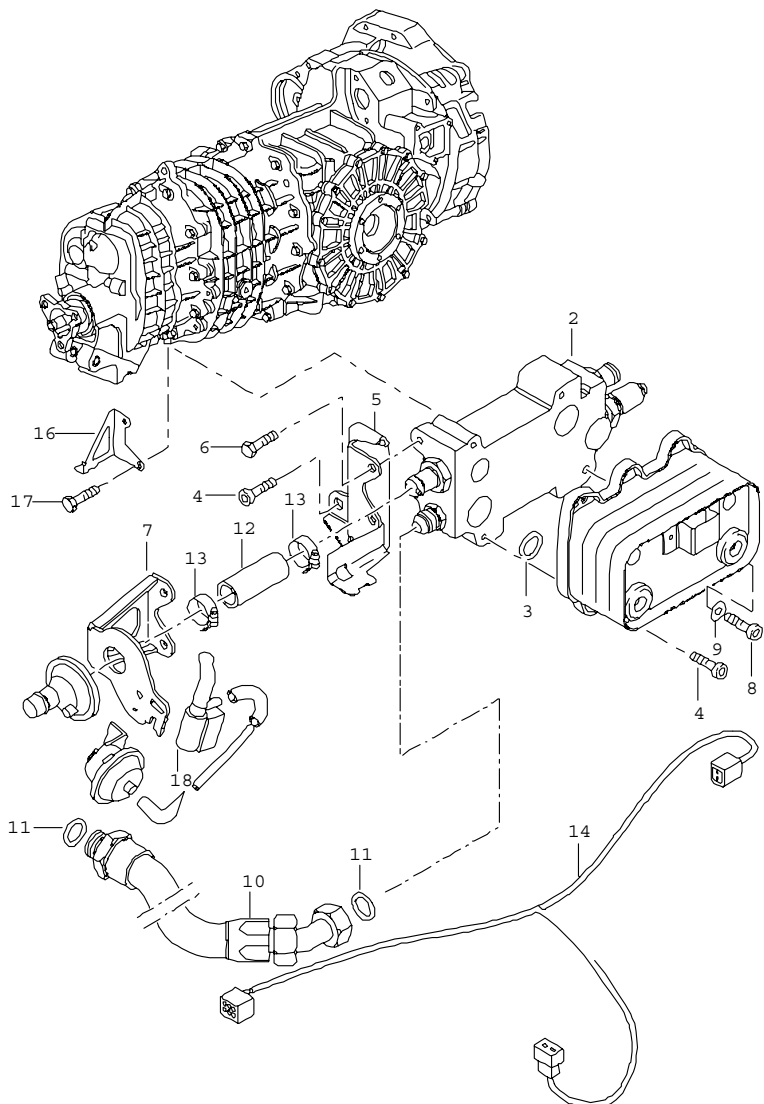
Pos	Part Number	Name	Remarks	Qty	Model
		transmission suspension			G96.50
1	996 375 033 03	transmission carrier		1	
2	996 375 317 06	bracket upper		1	
3	996 375 015 00	side member		1	
4	996 375 259 08	stop		2	
5	900 378 167 09	hexagon-head bolt M 10 X 110		2	
5	999 061 106 09	stud M 10 X 83		2	
6	900 380 008 09	hexagon nut M 10		2	
(6A)	999 076 053 09	hexagon nut M 10		6	
7	999 072 010 09	hexagon-head bolt M 12 X 1,5 X 100		2	
8	999 072 008 09	hexagon-head bolt M 12 X 1,5 X 70		3	
9	900 378 061 09	hexagon-head bolt M 12 X 1,5 X 50		1	
10	900 378 076 09	hexagon-head bolt M 10 X 50		1	
11	900 377 011 09	hexagon nut M 10		1	
- - - E N D - - -					

Model	Year	MG	SG	Illustration	Restrictions	Update	12:06	25.11.2005	PORSCHE	PET	PORSCHE
996t	05	3	06	306-01		194					



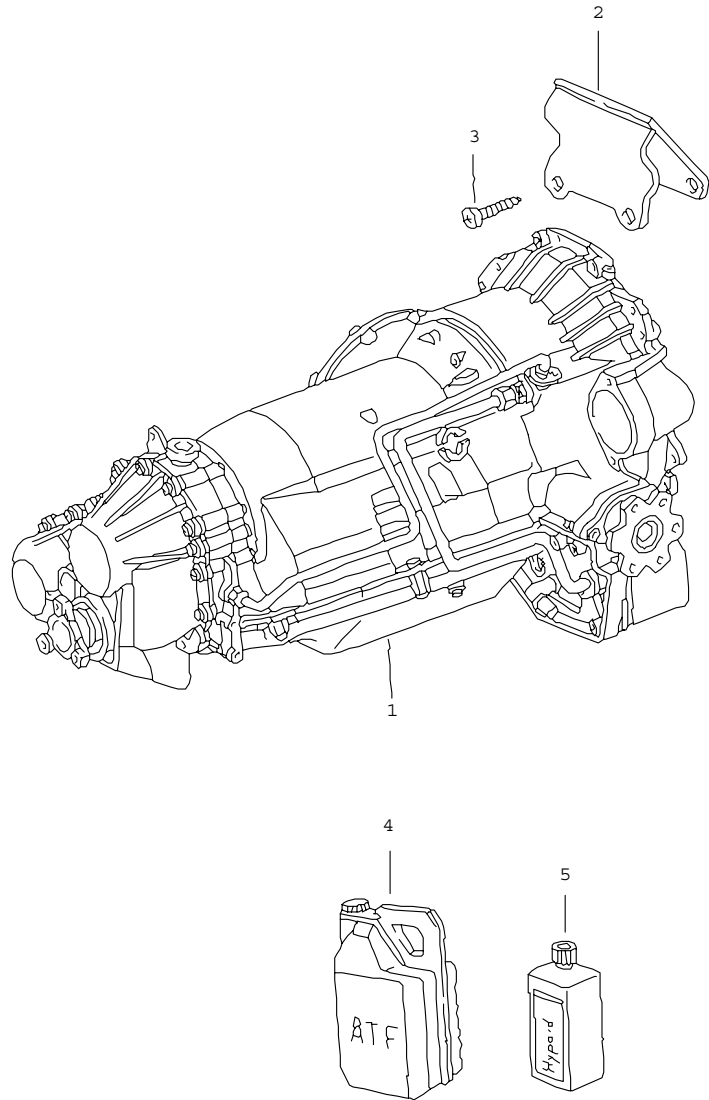
Pos	Part Number	Name	Remarks	Qty	Model
		transmission suspension			G96.88
1	996 375 033 03	transmission carrier		1	
2	996 375 317 06	bracket upper		1	
3	996 375 015 00	side member		1	
4	996 375 259 08	stop		2	
5	900 378 167 09	hexagon-head bolt M 10 X 110		2	
5	999 061 106 09	stud M 10 X 83		2	
6	900 380 008 09	hexagon nut M 10		2	
(6A)	999 076 053 09	hexagon nut M 10		6	
7	999 072 010 09	hexagon-head bolt M 12 X 1,5 X 100		2	
8	999 072 008 09	hexagon-head bolt M 12 X 1,5 X 70		3	
9	900 378 061 09	hexagon-head bolt M 12 X 1,5 X 50		1	
10	900 378 076 09	hexagon-head bolt M 10 X 50		1	
11	900 377 011 09	hexagon nut M 10		1	
		- - - E N D - - -			

Model	Year	MG	SG	Illustration	Restrictions	Update	12:06	25.11.2005	PORSCHE	PET	PORSCHE
996t	05	3	07	307-00		194					



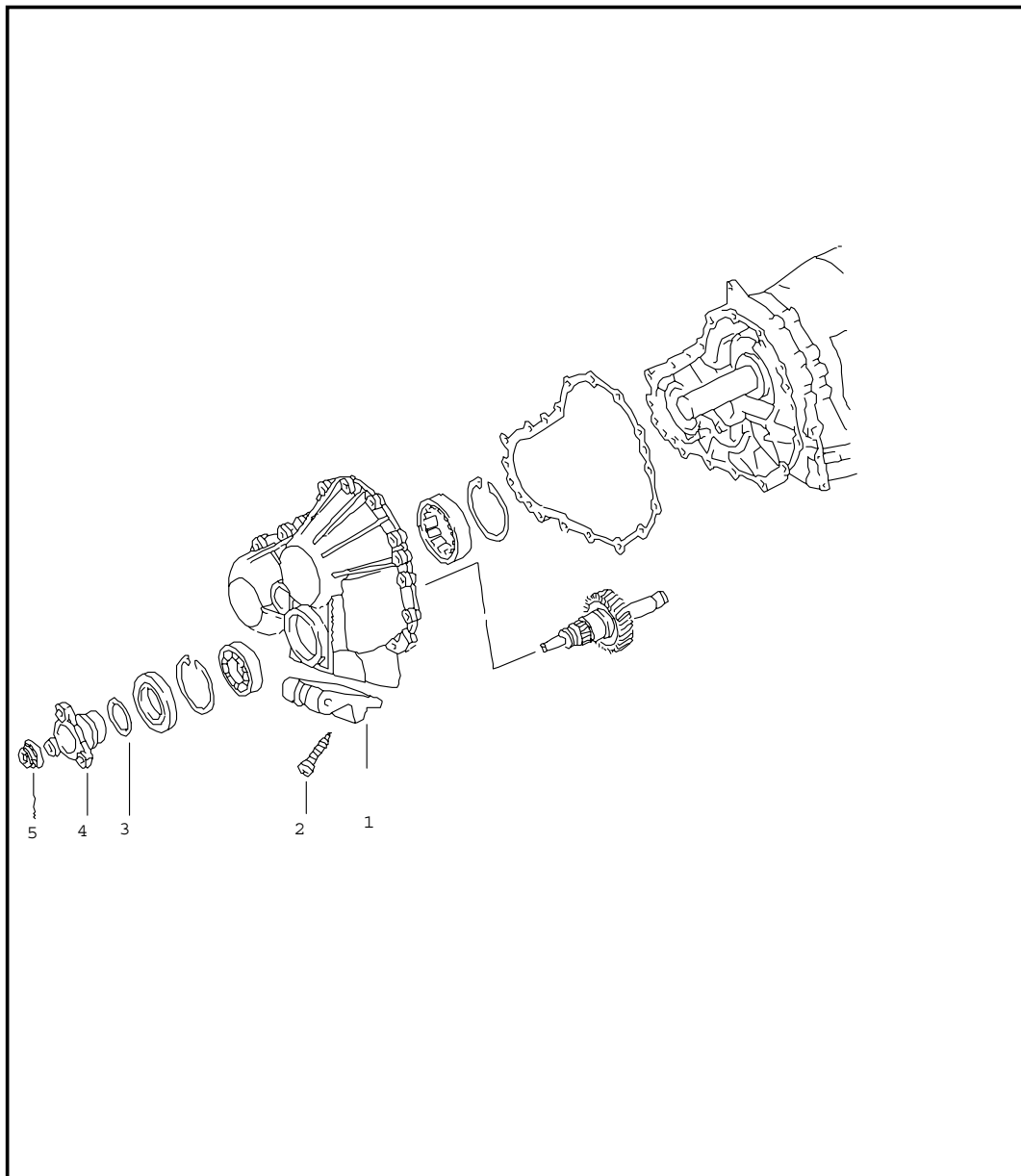
Pos	Part Number	Name	Remarks	Qty	Model
		transmission oil cooler lines			G96.88
1	K 996 307 015 8A	transmission oil cooler		1	
2	K 996 307 020 8A	port plate		1	
3	900 331 021 40	o-ring		4	
4	999 073 103 09	torx screw M 6 X 16		5	
5	K 996 307 141 88	support		1	
6	900 378 017 09	hexagon-head bolt M 8 X 20		2	
7	K 996 307 145 88	support		1	
8	900 186 030 02	pan-head screw M 6 X 55		1	
9	N 011 524 7	washer A 6,4		1	
10	996 307 333 88	oil hose		1	
11	900 123 152 30	o-ring A 16 X 22		2	
12	900 181 067 50	hose B18 X 3,5 X47		1	
13	999 512 552 00	clip A 20-32 / 9		2	
14	996 612 401 70	wiring harness		1	
15	811 971 848 B	cable terminal		3	
16	996 106 536 72	support		1	
17	900 378 074 09	hexagon-head bolt M 8 X 16		2	
18	996 605 123 01	change-over valve		1	
--	K 996 307 023 88	oil pump		1	
- - - E N D - - -					

Model	Year	MG	SG	Illustration	Restrictions	Update	12:06	25.11.2005	PORSCHE	PET	PORSCHE
996t	05	3	20	320-00		194					



Pos	Part Number	Name	Remarks	Qty	Model
		tiptronic replacement transmission			A96.50 A96.50/X50
1	722 270 070 0	transmission		1	
2	996 449 101 50	hook		1	
3	999 073 190 09	oval-head screw M 8 X 60		2	
4	000 043 204 41	transmission oil ATF 20 LTR. container		X	
5	999 917 546 00	transmission oil 75 W 90 1 LTR. container		X	
-	210 997 003 2	screw plug		1	
-	900 123 060 30	sealing ring 24 x 29		1	
-	996 116 011 50	intermediate housing engine and transmission		1	
- - - E N D - - -					

Model	Year	MG	SG	Illustration	Restrictions	Update	12:06	25.11.2005	PORSCHE	PET	PORSCHE
996t	05	3	20	320-01		194					



Pos	Part Number	Name	Remarks	Qty	Model
		tiptronic all-wheel driving mechanism			A96.50
1	722 260 006 2	bracket		1	
2	999 073 178 09	oval-head screw M 8 X 30		4	
3	168 997 004 5	o-ring 28 X 3		1	
4	722 270 022 0	flange		1	
5	140 990 115 0	collar nut M 26 X 1,5		1	
-	022 997 944 7	shaft seal		1	
		- - - E N D - - -			

PORSCHE

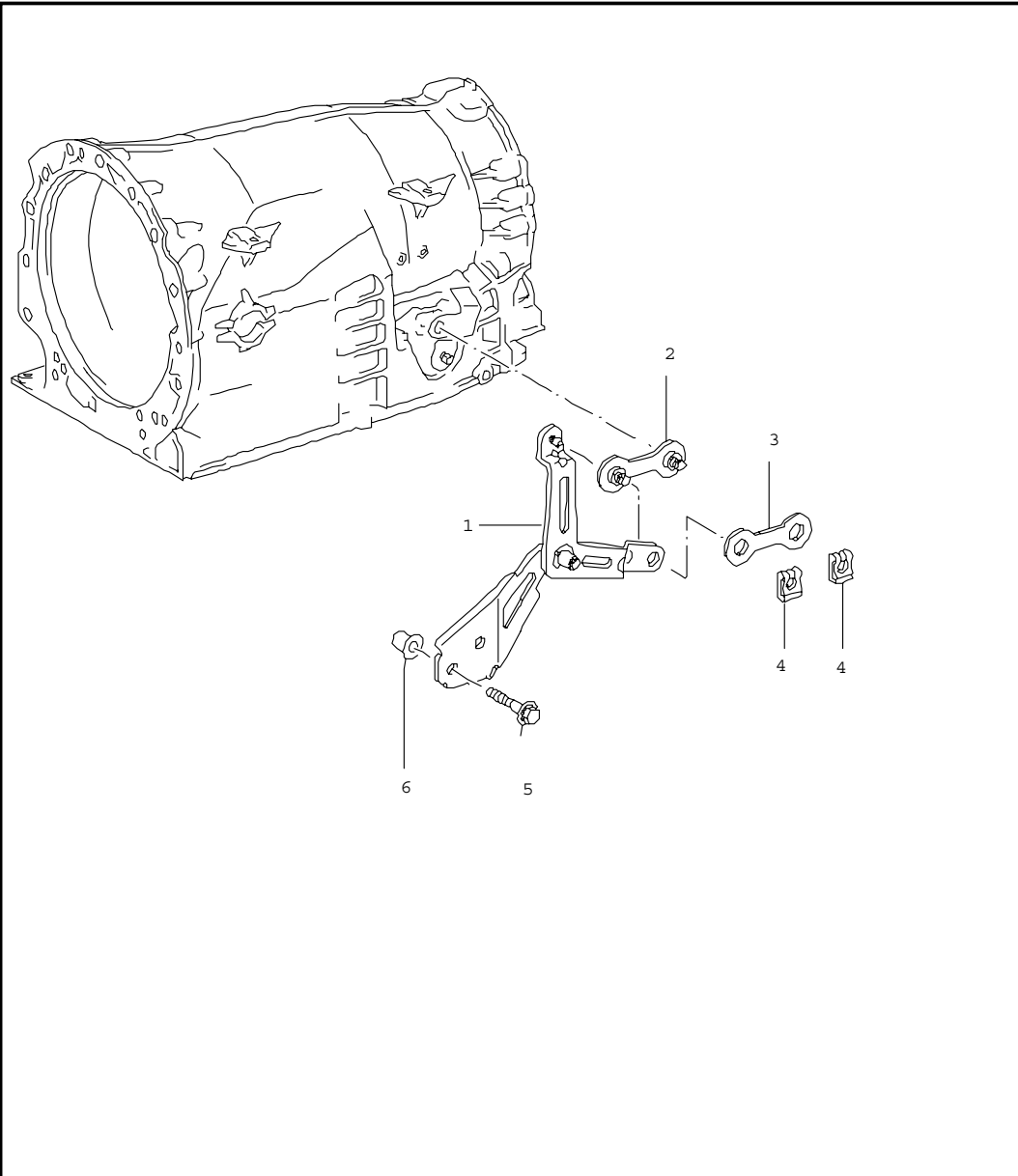
PET

PORSCHE

Model	Year	MG	SG	Illustration	Restrictions	Update		
996t	05	3	20	320-03		194	12:06	25.11.2005

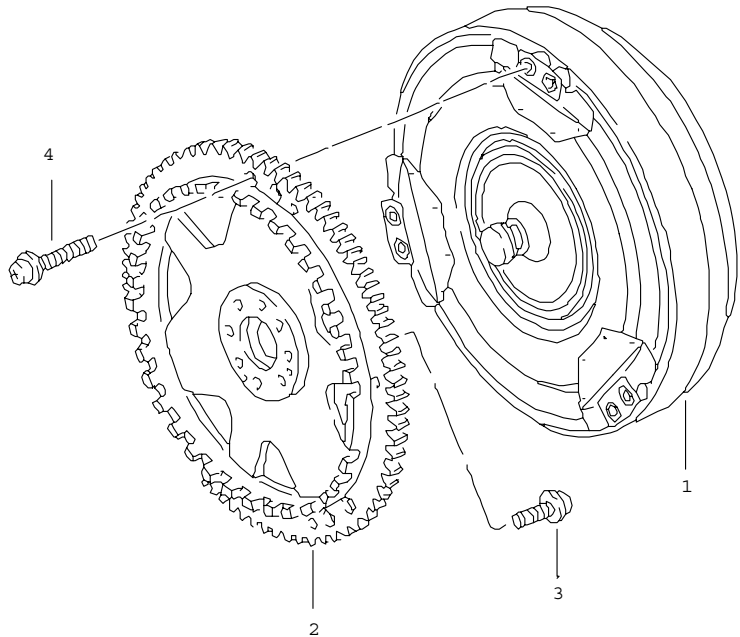
Pos	Part Number	Name	Remarks	Qty	Model
		tiptronic differential differential housing			A96.50
1	900 074 192 09	hexagon-head bolt M 10 X 55		1	
2	722 274 024 5	drive flange		1	
3	999 113 484 40	shaft seal for cover		1	
4	722 270 062 0	flange		1	
		- - - E N D - - -			

Model	Year	MG	SG	Illustration	Restrictions	Update	12:07	25.11.2005	PORSCHE	PET	PORSCHE
996t	05	3	20	320-05		194					



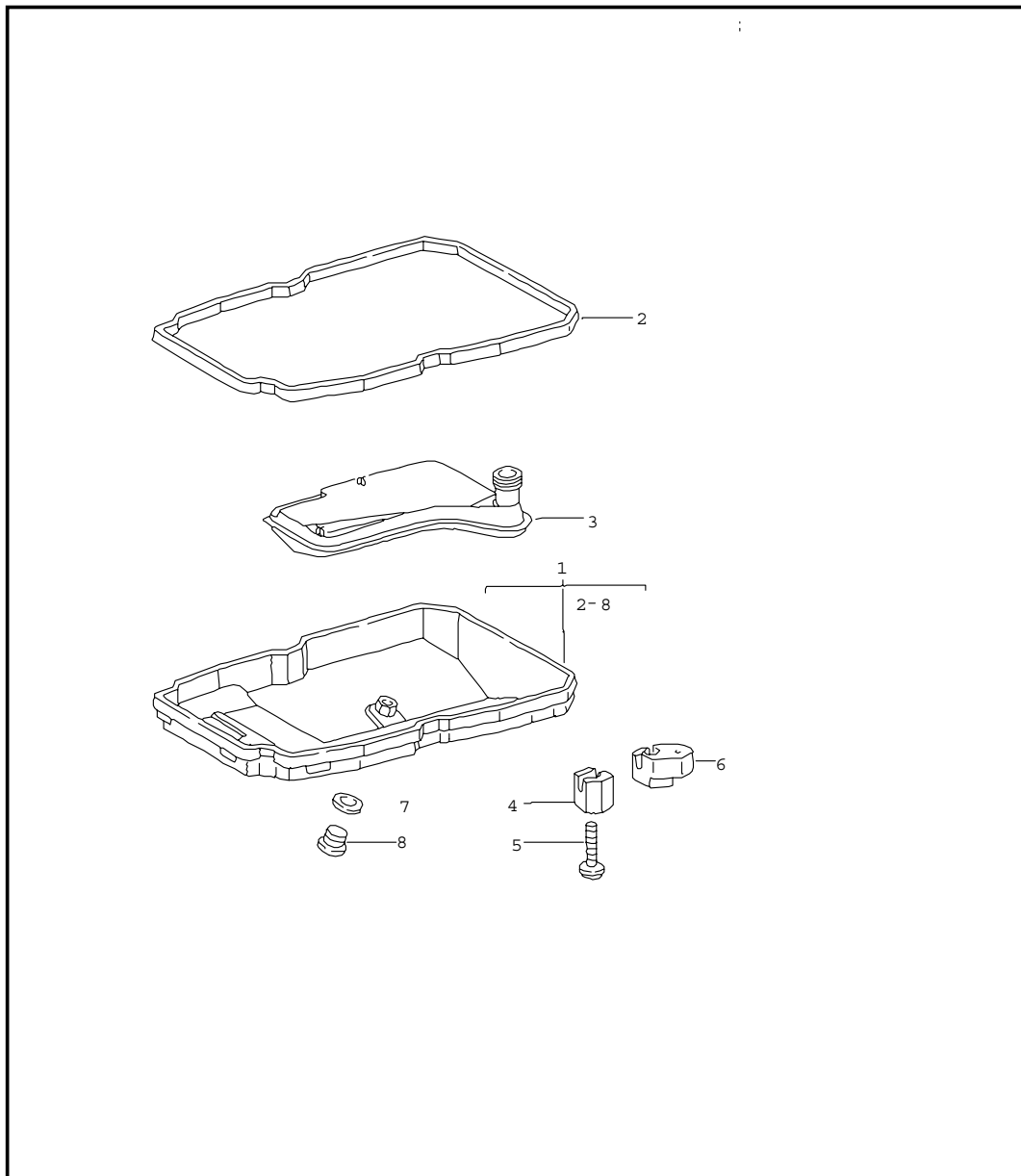
Pos	Part Number	Name	Remarks	Qty	Model
		tiptronic selector lever			A96.50
1	722 270 011 0	selector lever		1	
2	722 270 025 9	lever		2	
3	722 278 032 0	lever		1	
4	999 166 079 02	lock washer		2	
6	722 992 002 0	sleeve		1	
		- - - E N D - - -			

Model	Year	MG	SG	Illustration	Restrictions	Update	12:07	25.11.2005	PORSCHE	PET	PORSCHE
996t	05	3	30	330-00		194					



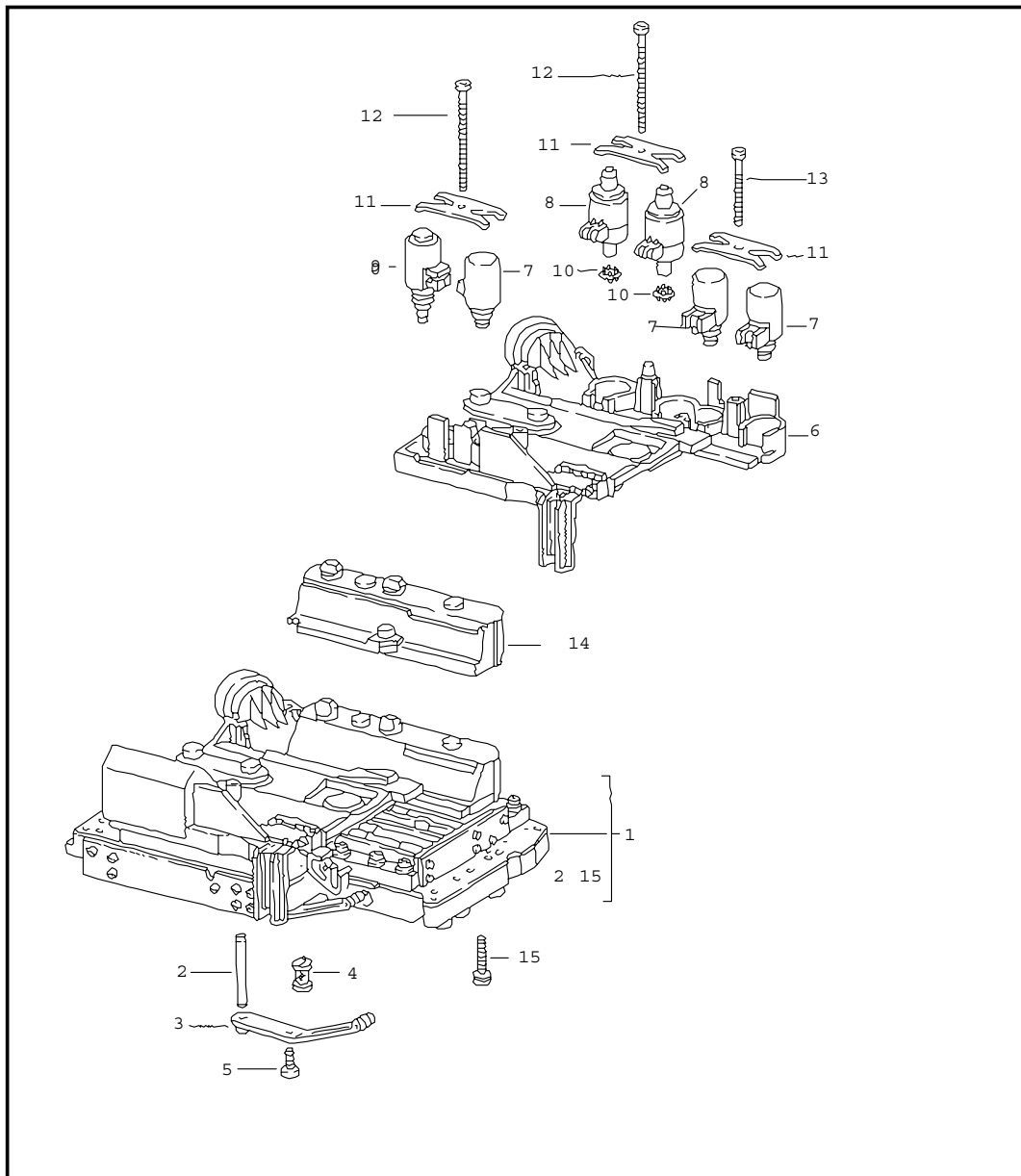
Pos	Part Number	Name	Remarks	Qty	Model
		tiptronic torque converter drive plate			A96.50
1	722 250 130 2	torque converter		1	
2	996 116 075 50	drive plate		1	
3	999 119 019 01	pan-head screw M 10 X 1 X 25 X 45		9	
4	900 067 369 09	pan-head screw M 8 X 20		6	
-	018 997 044 7	sealing ring for oil pump		1	
		- - - E N D - - -			

Model	Year	MG	SG	Illustration	Restrictions	Update	12:07	25.11.2005	PORSCHE	PET	PORSCHE
996t	05	3	40	340-01		194					



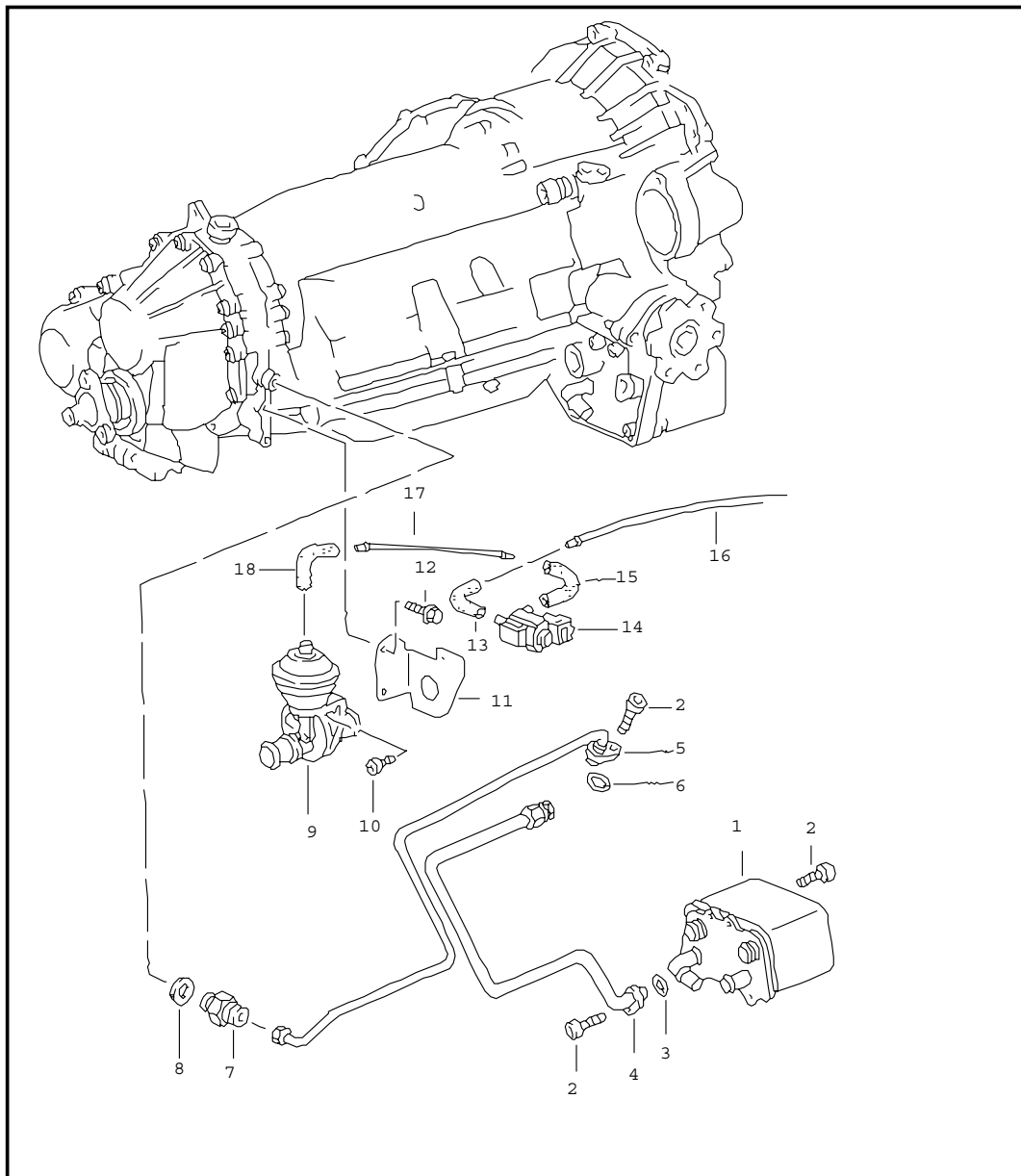
Pos	Part Number	Name	Remarks	Qty	Model
		tiptronic oil filter oil pan			A96.50
1	722 270 161 2	oil pan		1	
2	140 271 008 0	oil sump gasket		1	
3	722 277 009 5	oil filter		1	
4	140 271 006 8	clamping sleeve		6	
5	999 073 202 09	pan-head screw M 6 X 22		6	
7	900 123 062 20	sealing ring		1	
8	900 219 007 02	screw plug		1	
		- - - E N D - - -			

Model	Year	MG	SG	Illustration	Restrictions	Update	12:07	25.11.2005	PORSCHE	PET	PORSCHE
996t	05	3	40	340-02		194					



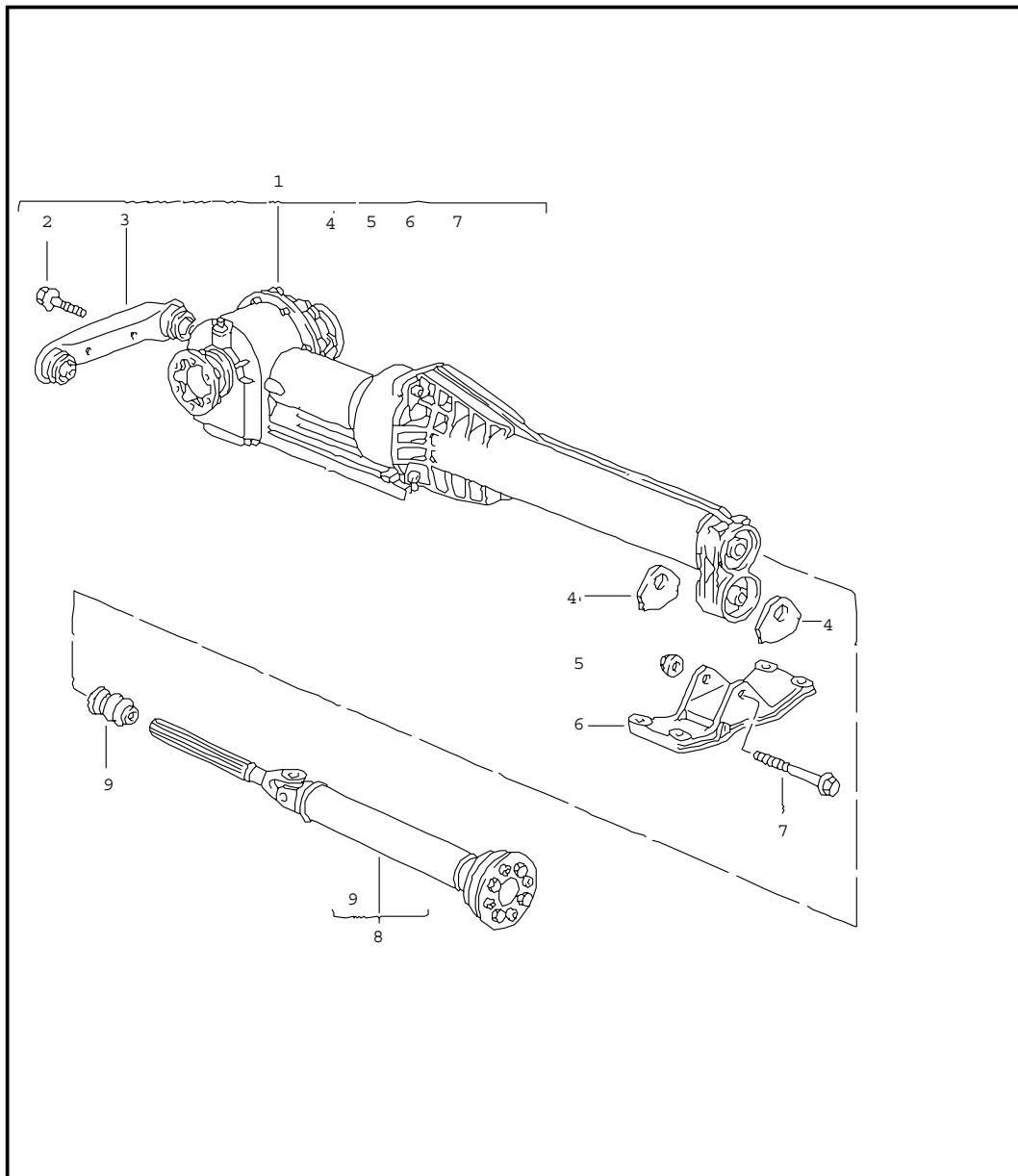
Pos	Part Number	Name	Remarks	Qty	Model
		tiptronic switch unit solenoid valve pressure regulator			A96.50
1	722 270 020 6	switch unit		1	
2	140 277 007 5	pin		1	
3	140 270 017 8	spring		1	
4	140 270 029 8	filter		1	
5	170 990 012 0	screw		1	
6	140 270 056 1	electric equipment		1	
7	140 277 053 5	valve		3	
8	140 277 039 8	solenoid valve		2	
9	140 277 043 5	solenoid valve		1	
10	140 270 049 8	filter		2	
11	140 276 000 3	spring plate		3	
12	140 277 107 1	screw		2	
13	140 277 117 10	screw		1	
14	140 271 078 2	cover		1	
		- - - E N D - - -			

Model	Year	MG	SG	Illustration	Restrictions	Update	12:07	25.11.2005	PORSCHE	PET	PORSCHE
996t	05	3	60	360-00		194					



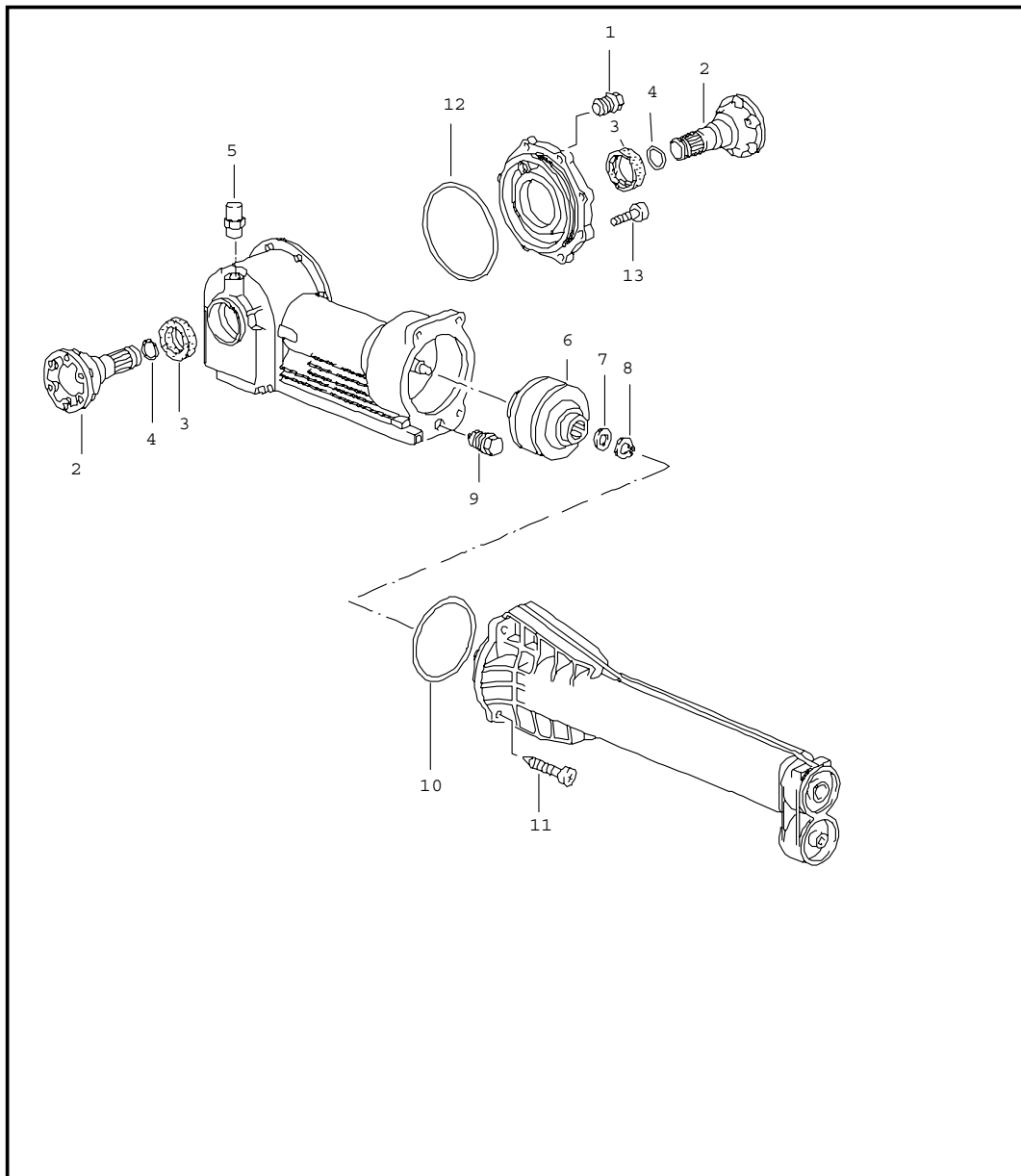
Pos	Part Number	Name	Remarks	Qty	Model
		tiptronic atf cooler atf lines			A96.50
1	722 270 009 5	atf cooler		1	
2	999 073 103 09	oval-head screw M 6 X 16		6	
3	026 997 234 8	sealing ring		2	
4	722 270 089 6	oil pipe 18,6 X 3,5		2	
5	722 270 079 6	oil pipe		1	
6	026 997 234 8	sealing ring		1	
-	996 307 711 10	water hose supply		1	
7	000 997 117 1	connection piece		1	
8	900 123 005 30	sealing ring A 12 X 16		1	
		- - - E N D - - -			

Model	Year	MG	SG	Illustration	Restrictions	Update	12:08	25.11.2005	PORSCHE	PET	PORSCHE
996t	05	3	60	360-01		194					



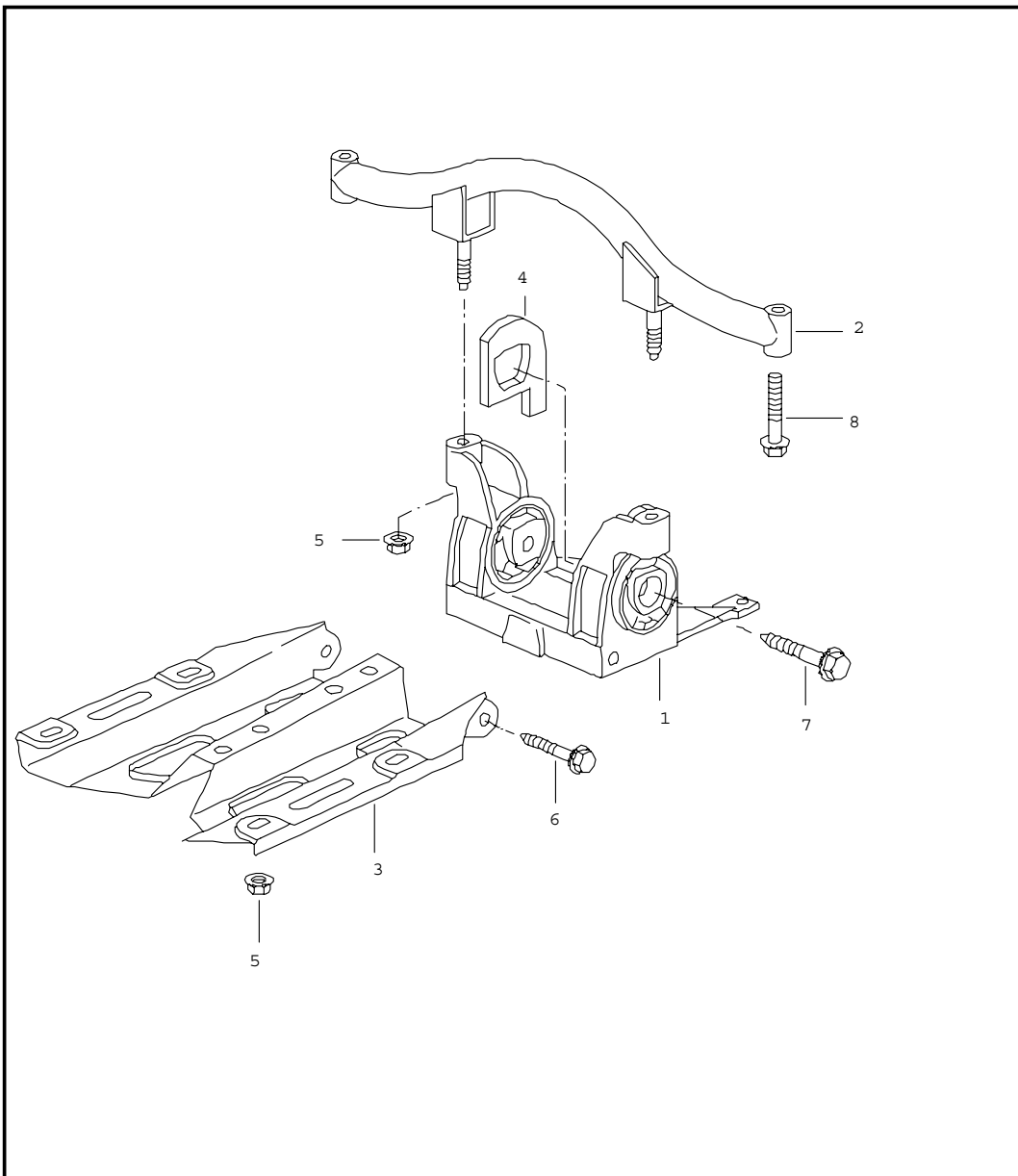
Pos	Part Number	Name	Remarks	Qty	Model
		front-axle final drive cardan shaft			Z96.00
1	996 349 010 02	front-axle final drive ready for installation		1	
2	999 072 034 09	conical screw M 10 X 28		2	
3	996 375 034 00	transmission carrier front		1	
4	996 375 257 01	stop		2	
5	900 380 008 09	hexagon nut M 10		1	
6	996 375 343 03	transmission carrier rear		1	
7	900 378 142 09	hexagon-head bolt M 10 X 90		1	
8	996 421 020 50	cardan shaft		1	
9	996 421 145 01	boot		1	
10	996 375 054 02	transmission mounting rear		1	
--	999 061 105 09	stud M 10 X 90		2	
--	900 380 008 09	hexagon nut M 10 mount front-axle final drive cross member		2	
		- - - E N D - - -			

Model	Year	MG	SG	Illustration	Restrictions	Update	12:08	25.11.2005	PORSCHE	PET	PORSCHE
996t	05	3	60	360-02		194					



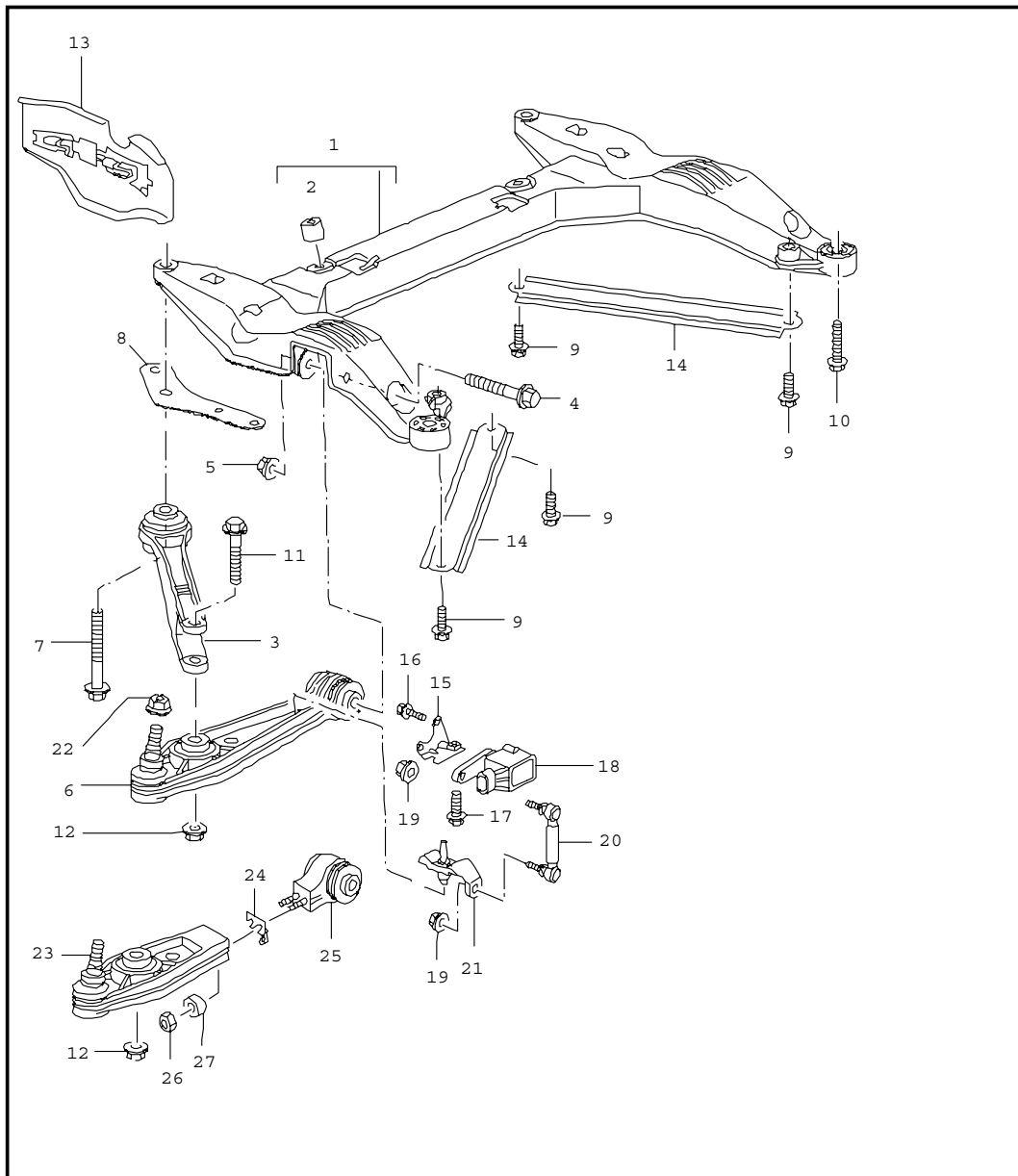
Pos	Part Number	Name	Remarks	Qty	Model
		front-axle final drive viscous clutch single parts			Z96.00
1	N 016 161 1	screw plug M 18 X 1,5		1	
2	996 332 309 00	joint flange		2	
3	999 113 454 40	shaft seal 40 X 60 X 9		2	
4	996 332 311 00	snap ring 2,5 X 20		2	
5	996 301 071 00	bleeder 17 X 12		1	
6	996 339 021 02	viscous clutch		1	
7	900 234 174 00	support washer 20 X 28 X 2,0		1	
8	999 041 021 01	circlip 20 X 1,2		1	
9	900 124 025 02	screw plug M 18 X 1,5 PM		1	
10	999 707 455 40	o-ring 123 X 3		1	
11	N 903 660 01	pan-head screw M 8 X 36		4	
--	996 337 411 00	protection cap		1	
12	---	o-ring		1	
13	N 903 660 01	torx screw M 8 X 36		8	
		- - - E N D - - -			

Model	Year	MG	SG	Illustration	Restrictions	Update	12:08	25.11.2005	PORSCHE	PET	PORSCHE
996t	05	3	70	370-00		194					



Pos	Part Number	Name	Remarks	Qty	Model
		tiptronic transmission suspension and mount intermediate flange			A96.50
1	996 375 033 03	transmission carrier		1	
2	996 375 317 06	bracket upper		1	
3	996 375 015 00	side member		1	
4	996 375 259 08	stop		2	
5	900 378 167 09	hexagon-head bolt M 10 X 110		2	
5	999 061 106 09	stud M 10 X 83		2	
6	900 380 008 09	hexagon nut M 10		2	
(6A)	999 076 053 09	hexagon nut M 10		6	
7	999 072 010 09	hexagon-head bolt M 12 X 1,5 X 100		2	
8	999 072 008 09	hexagon-head bolt M 12 X 1,5 X 70		3	
-	999 073 182 02	lens-head screw M 8 X 35		4	
-	900 378 108 09	hexagon-head bolt M 8 X 35		4	
		- - - E N D - - -			

Model	Year	MG	SG	Illustration	Restrictions	Update	12:08	25.11.2005	PORSCHE	PET	PORSCHE
996t	05	4	01	401-00		194					

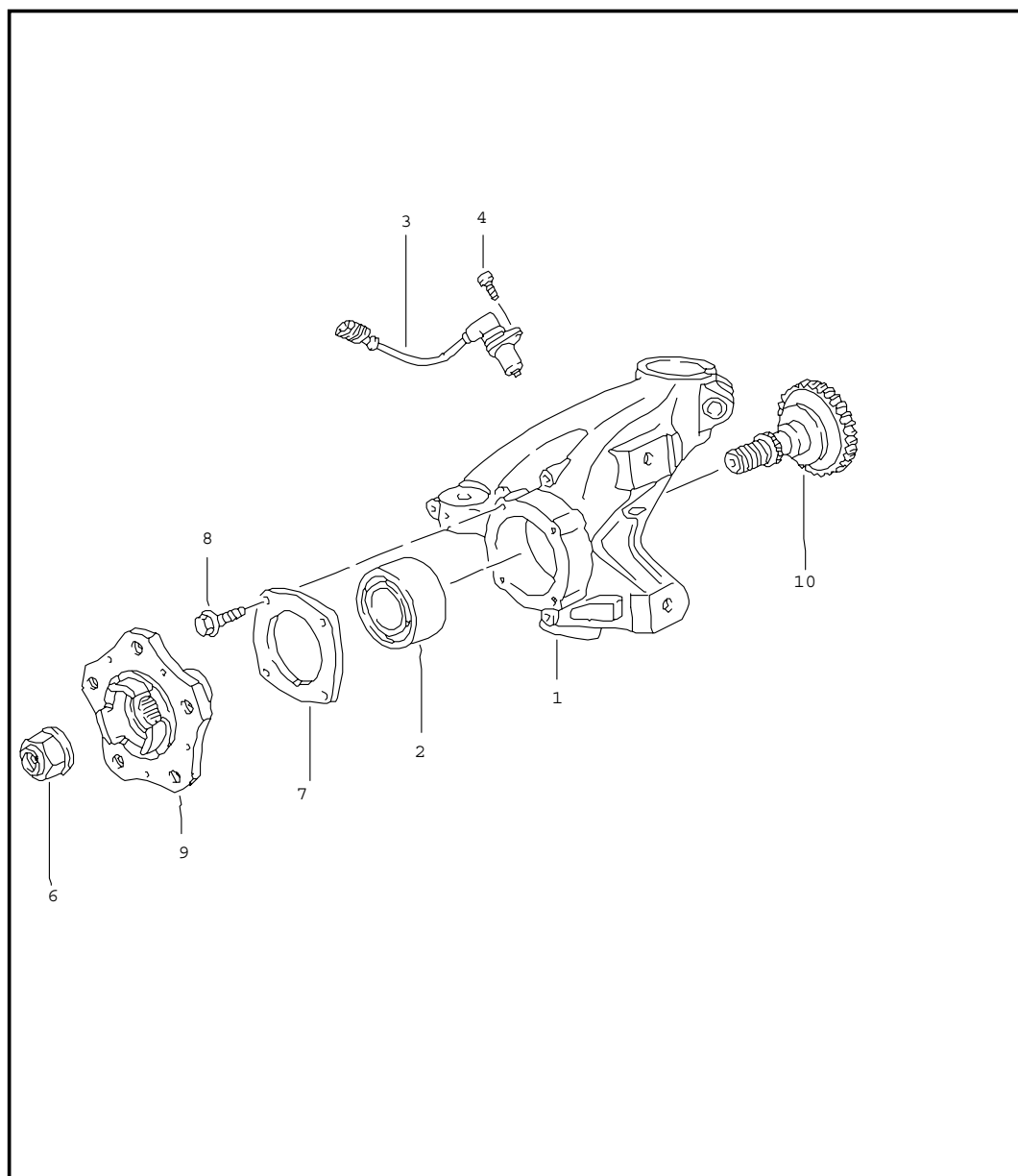


Pos	Part Number	Name	Remarks	Qty	Model
		cross member control arm			
1	996 341 081 10	cross member	-01	1	TURBO
(1) A	996 341 081 12	cross member	02-	1	TURBO
(1)	996 341 081 14	cross member	02-	1	TURBO
(1) A	996 341 081 12	cross member	02-	1	GT-2
(1)	996 341 081 14	cross member	02-	1	GT-2
2	900 197 004 00	roll pin 13 X 14		1	
3	996 341 043 03	control arm		2	
4	900 378 165 09	hexagon-head bolt M 12 X 1,5 X 95		2	
5	999 084 445 09	hexagon nut M 12 X 1,5		2	
6 A	996 341 053 07	control arm	-03	2	
(6)	996 341 053 16	control arm	04-	2	
7	900 378 210 09	hexagon-head bolt M 14 X 1,5 X 110		2	
8	996 341 145 06	plate		2	
9	900 378 211 09	hexagon-head bolt M 12 X 1,5 X 25		4	
10	900 378 192 09	hexagon-head bolt M 14 X 1,5 X 50	-01 02- 02-	2 4 4	TURBO TURBO GT-2
11	900 378 135 09	hexagon-head bolt M 14 X 1,5 X 73		2 2	
12	900 380 012 09	hexagon nut M 14 X 1,5		2	
13	996 341 483 02	spoiler	/L	1	TURBO
(13)	996 341 483 05	spoiler F 995S6 75262>> F 995S6 80255>>	/L 05-	1	TURBO
(13) A	996 341 383 90	spoiler	/L	1	GT-2
(13)	996 341 117 90	spoiler	/L -02	1	GT-2
(13)	996 341 117 91	spoiler	/L 03-	1	GT-2

Model	Year	MG	SG	Illustration	Restrictions	Update	12:08	25.11.2005	PORSCHE	PET	PORSCHE
996t	05	4	01	401-00		194					

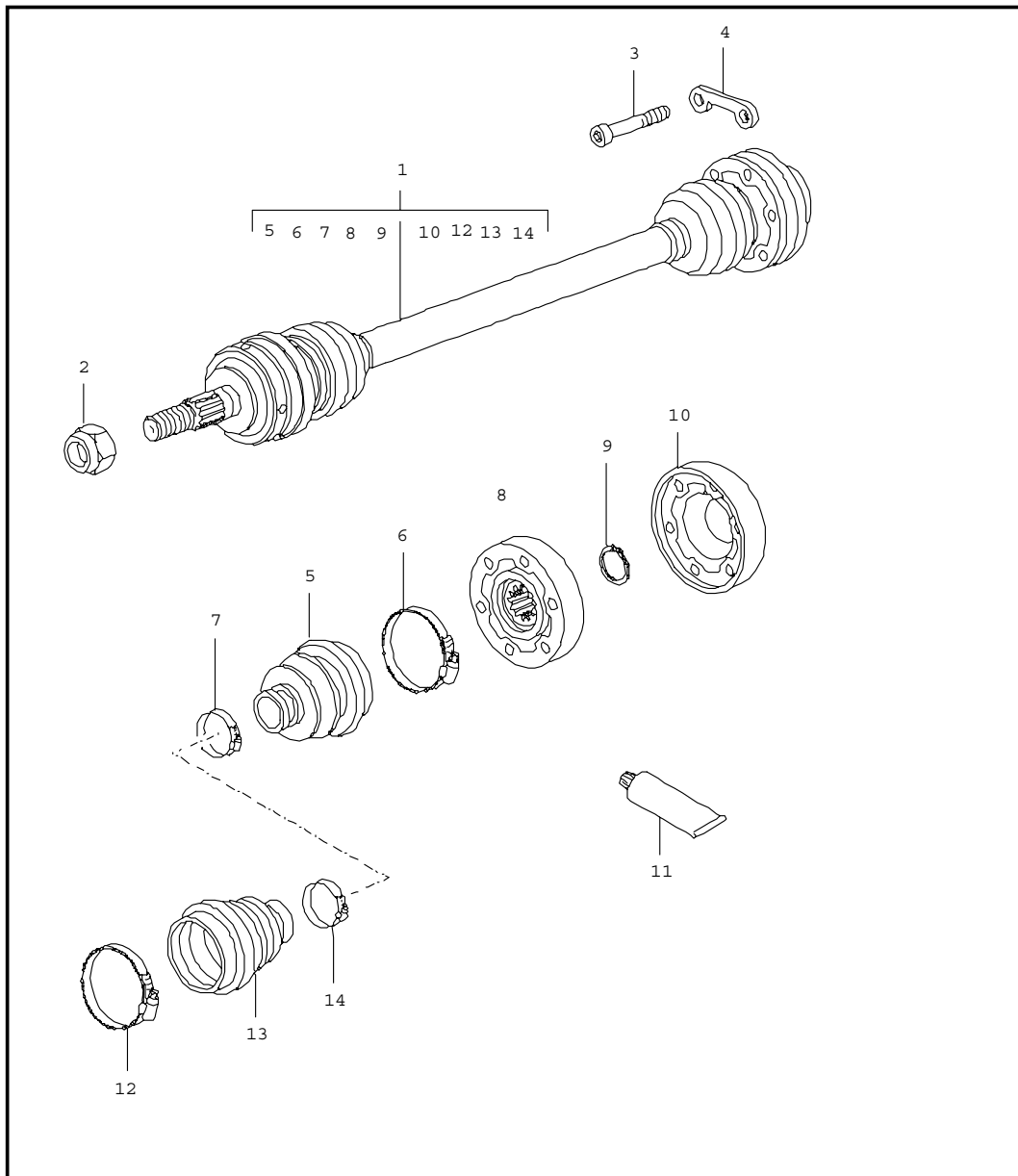
Pos	Part Number	Name	Remarks	Qty	Model	Pos	Part Number	Name	Remarks	Qty	Model
(13)	996 341 484 02	spoiler	/R	1	TURBO						
(13)	996 341 484 05	spoiler F 995S6 75262>> F 995S6 80255>>	/R 05-	1	TURBO						
(13) A	996 341 384 90	spoiler	/R	1	GT-2						
(13)	996 341 118 90	spoiler	/R -02	1	GT-2						
(13)	996 341 118 91	spoiler	/R 03-	1	GT-2						
14	996 504 433 00	strut		2							
15	996 341 511 02	support		1	M 601						
16	900 146 003 02	oval-head screw M 5 X 10		2	M 601						
17	900 378 177 09	hexagon-head bolt M 6 X 30		1	M 601						
18	996 631 121 00	sensor		1	M 601						
19	900 380 015 09	hexagon nut VM 6		2	M 601						
20	996 341 375 01	strut		1	M 601						
21	996 341 371 03	support		1	TURBO M 601						
22	999 084 449 09	hexagon nut M 12 X 1,5		2	M 601						
23 K	996 341 122 90	control arm	/L	1	GT-2						
(23) K	996 341 121 90	control arm	/R	1	GT-2						
24	996 341 543 30	adjusting shim	/L	1	GT-2						
(24) K	996 341 543 90	adjusting shim	/R	1	GT-2						
25 K	996 341 441 90	bearing flange		2	GT-2						
26	900 076 025 02	hexagon nut M 8		4	GT-2						
27	999 025 269 02	washer 8,5		4	GT-2						
- - - E N D - - -											

Model	Year	MG	SG	Illustration	Restrictions	Update	12:09	25.11.2005	PORSCHE	PET	PORSCHE
996t	05	4	01	401-05		194					



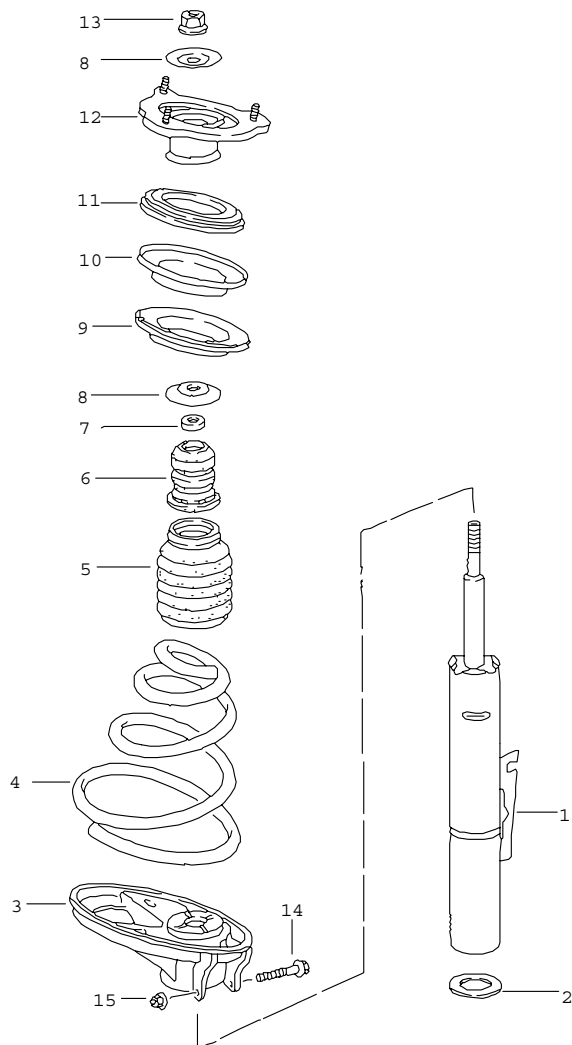
Pos	Part Number	Name	Remarks	Qty	Model
		wheel carrier wheel hub			
(1)	996 341 165 05	wheel carrier	/L	1	TURBO
(1) K	996 341 157 91	wheel carrier	/L	1	GT-2
(1)	996 341 166 05	wheel carrier	/R	1	TURBO
(1) K	996 341 158 91	wheel carrier	/R	1	GT-2
2	A 999 053 042 07	bearing		2	
(2)	999 053 054 05	bearing		2	
3	996 606 406 00	speed sensor	-03	2	
(3)	996 606 407 02	speed sensor	04-	2	
-	996 606 235 90	heat protection for speed sensor	/L	1	GT-2
-	996 606 236 90	heat protection for speed sensor	/R	1	GT-2
-	K 996 341 321 70	support for cable anti-lock brake system		2	GT-2
4	900 067 117 09	hexagon-head bolt M 6 X 16		2	
(6)	999 084 634 09	hexagon nut M 22X 1,5		2	
7	986 331 661 20	cover		2	
8	999 217 042 09	hexagon-head bolt M 8 X 35		8	
9	986 331 605 20	wheel hub		2	GT-2
(9)	997 341 605 01	wheel hub		2	TURBO
10	K 996 341 131 90	tension bolt		2	GT-2
		- - - E N D - - -			

Model	Year	MG	SG	Illustration	Restrictions	Update	12:09	25.11.2005	PORSCHE	PET	PORSCHE
996t	05	4	01	401-10		194					



Pos	Part Number	Name	Remarks	Qty	Model
		drive shaft			TURBO
1	996 349 038 10	drive shaft		2	
2	999 084 641 02	lock nut M 22 X 1,5	-03	2	
(2)	999 084 641 02	lock nut M 22 X 1,5	04-	2	
3	900 067 211 09	pan-head screw M 8 X 50		12	
4	A 996 349 191 00	plate		6	
(4)	996 349 191 01	plate		6	
5	996 349 293 00	dust bellows		2	
6	996 349 257 02	clip		2	
7	996 349 257 03	clip		2	
8	996 349 030 00	joint		2	
9	900 041 011 01	circlip		2	
10	996 349 267 00	cover		2	
11	000 043 110 01	grease for drive shaft 1 tube 100 g		X	
(11)	000 043 205 36	sealing compound drive shaft 1 tube 100 g		X	
12	996 349 257 00	clip		2	
13	996 349 291 00	dust bellows		2	
14	996 349 257 01	clip		2	
		- - - E N D - - -			

Model	Year	MG	SG	Illustration	Restrictions	Update	12:09	25.11.2005	PORSCHE	PET	PORSCHE
996t	05	4	02	402-00		194					

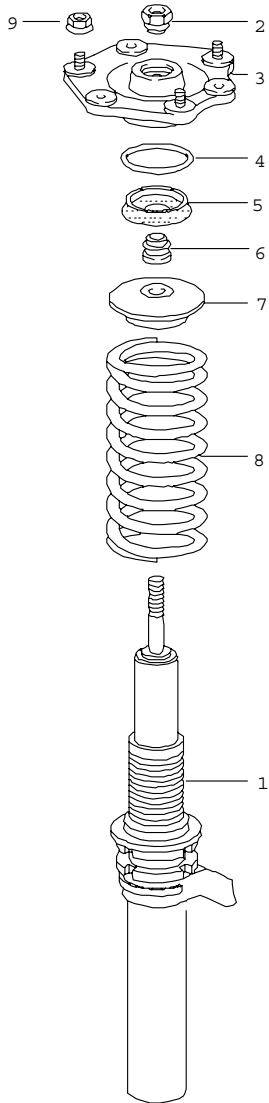


Pos	Part Number	Name	Remarks	Qty	Model
		springs shock absorber strut			TURBO
1	996 343 043 17	shock absorber	-03	2	COUPE
(1)	996 343 043 28	shock absorber	04- 04-	2	COUPE CABRIO
(1)	996 343 980 33	shock absorber	03-	2	X73 COUPE
		mount shock absorber			
-	900 378 138 09	hexagon-head bolt M 12 X 1,5 X 70		2	
-	999 084 445 09	hexagon nut M 12 X 1,5		2	
2	996 343 521 01	concave washer		2	
3	996 343 507 02	concave washer	/L	1	
(3)	996 343 508 02	concave washer	/R	1	
4	996 343 533 18	coil spring 1 set	-03	1	COUPE
		504 marked gold-coloured white			
(4)	996 343 533 30	coil spring 1 set	04- 04-	1	COUPE CABRIO
		504 marked pink blue			
(4)	996 343 980 27	coil spring 1 set	03-	1	X73 COUPE
		504 marked blue silver			
5	996 343 509 01	bellows		2	
6	996 343 301 02	additional spring		2	
(6)	996 343 980 35	additional spring	03-	2	X73 COUPE
7	996 343 513 00	cone washer		2	
8	996 343 107 03	stop plate		2	

Model	Year	MG	SG	Illustration	Restrictions	Update	12:09	25.11.2005	PORSCHE	PET	PORSCHE
996t	05	4	02	402-00		194					

Pos	Part Number	Name	Remarks	Qty	Model	Pos	Part Number	Name	Remarks	Qty	Model
9	996 343 525 00	base 3,0 MM		X							
(9)	996 343 525 01	base 6,5 MM		X							
10	996 343 523 00	support ring		1							
11	996 343 501 00	angular-contact bearing		1							
12	996 343 015 04	supporting mount	/L	1							
(12)	996 343 980 15	supporting mount	/L 03-	1	X73 COUPE						
(12)	996 343 016 04	supporting mount	/R	1							
(12)	996 343 980 16	supporting mount	/R 03-	1	X73 COUPE						
-	999 084 447 09	hexagon nut M 8		6							
13	900 380 012 09	hexagon nut M 14 X 1,5		2							
14	900 378 191 09	hexagon-head bolt M 6 X 55		2							
15	900 377 010 09	hexagon nut M 6		2							
		- - - E N D - - -									

Model	Year	MG	SG	Illustration	Restrictions	Update	12:09	25.11.2005	PORSCHE	PET	PORSCHE
996t	05	4	02	402-01		194					

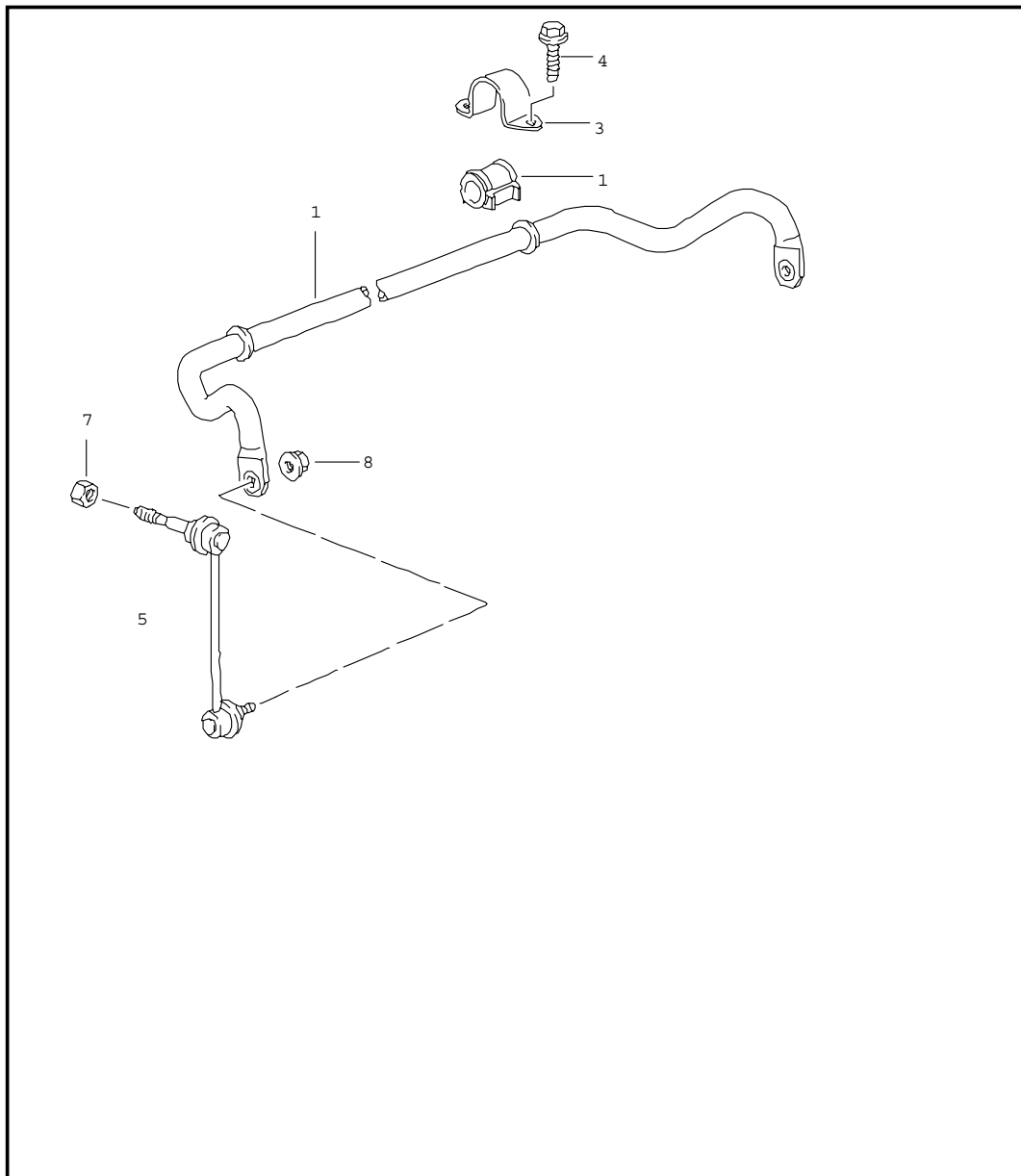


Pos	Part Number	Name	Remarks	Qty	Model
		springs shock absorber strut			GT-2
-	A 996 343 031 93	spring strut complete		2	
-	K 996 343 031 98	spring strut complete		2	
1	A 996 343 041 93	shock absorber - bilstein -		2	
(1)	K 996 343 041 98	shock absorber - bilstein - mount shock absorber		2	
-	900 378 138 09	hexagon-head bolt M 12 X 1,5 X 70		2	
-	999 084 445 09	hexagon nut M 12 X 1,5		2	
2	K 996 343 561 91	nut		2	
3	K 996 343 011 91	supporting mount		2	
-	000 043 205 34	grease 1 tube 100 ML AUTOL TOP 2000		X	
4	964 343 188 80	retainer spring		6	
5	964 343 186 80	bellows		2	
6	K 996 343 563 91	spacer sleeve		2	
7	U 996 343 511 91	spring hanger		2	
(7)	K 996 343 511 90	spring hanger		2	
-	996 343 567 90	bellows for spring hanger		2	
-	A 996 343 551 90	rubber ply for coil spring		2	
-	996 343 551 91	rubber ply for coil spring		2	
-	A 996 343 105 93	additional spring		2	

Model	Year	MG	SG	Illustration	Restrictions	Update	12:09	25.11.2005	PORSCHE	PET	PORSCHE
996t	05	4	02	402-01		194					

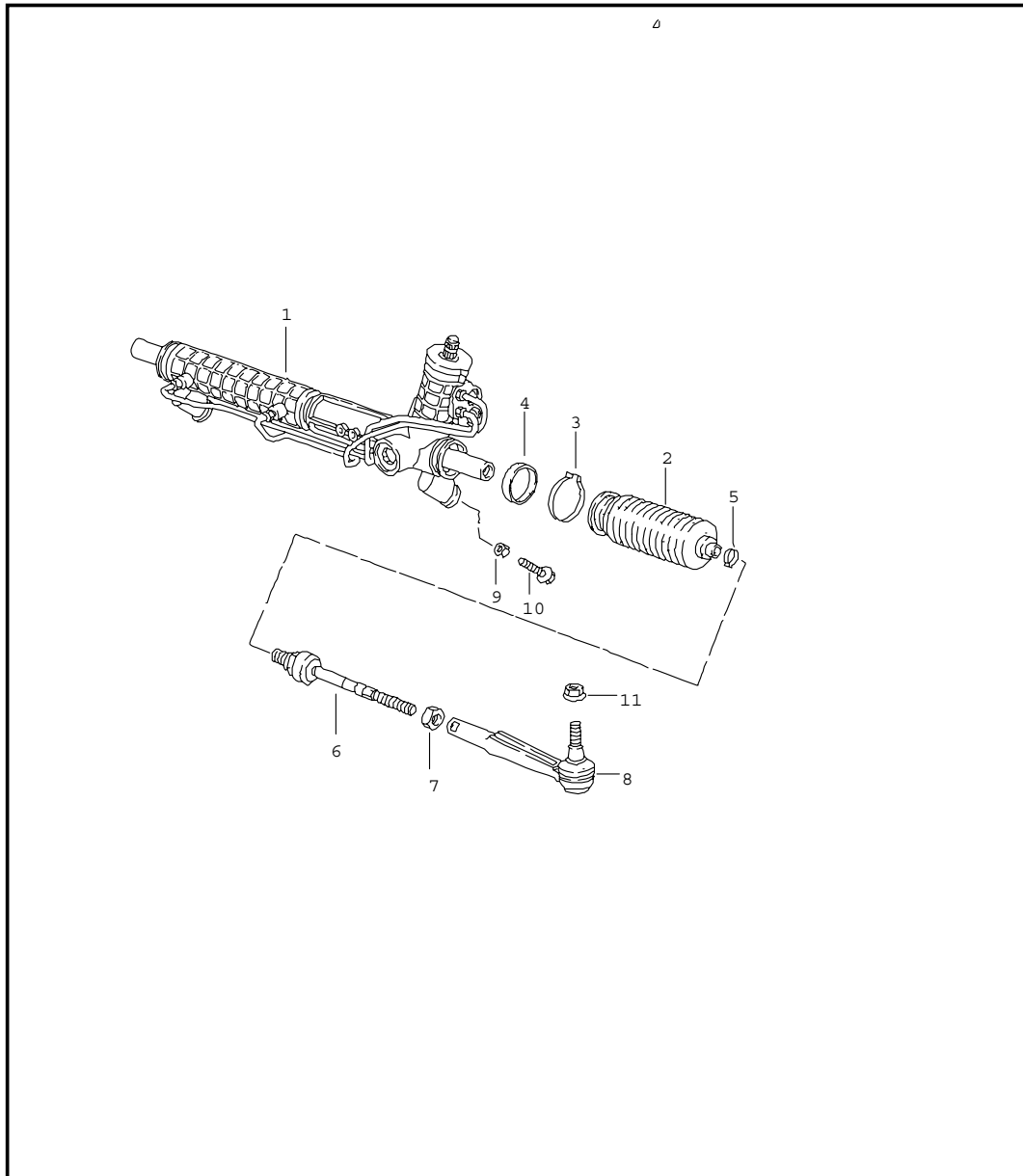
Pos	Part Number	Name	Remarks	Qty	Model	Pos	Part Number	Name	Remarks	Qty	Model
-	K 996 343 105 94	additional spring		2							
8	A 996 343 531 93	coil spring		1							
	504	1 set									
(8)	K 996 343 531 98	coil spring		1							
	504	1 set									
9	999 084 447 09	hexagon nut M 8		6							
		- - - E N D - - -									

Model	Year	MG	SG	Illustration	Restrictions	Update	12:09	25.11.2005	PORSCHE	PET	PORSCHE
996t	05	4	02	402-05		194					



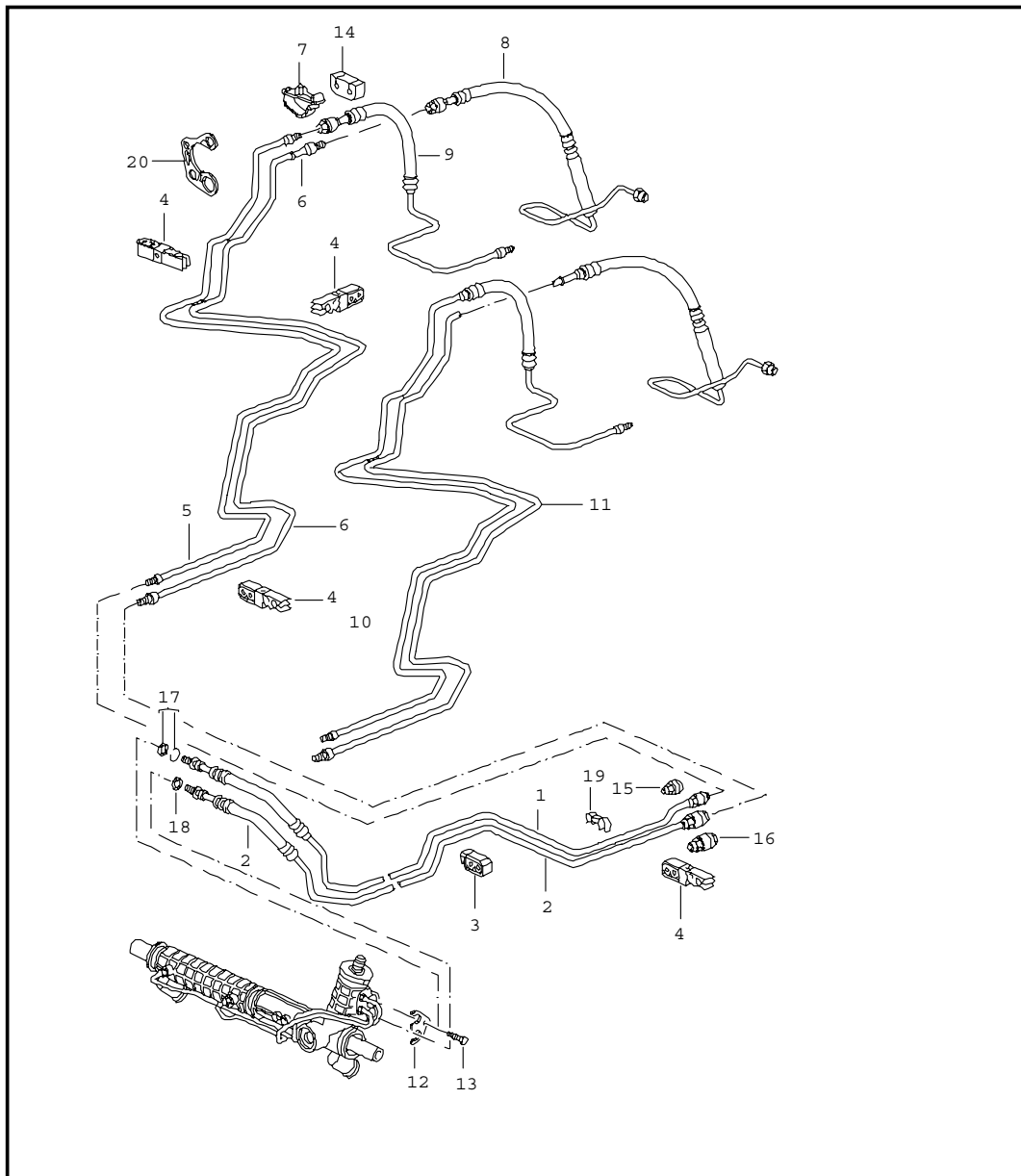
Pos	Part Number	Name	Remarks	Qty	Model
		stabiliser			
1	996 343 703 02	stabiliser	-04	1	TURBO
(1)	996 343 703 04	stabiliser	05-	1	TURBO
(1)	996 343 703 00	stabiliser	04	1	X75 TURBO/COUPE
(1)	996 343 703 03	stabiliser	05-	1	X75 TURBO/COUPE
(1) K	996 343 701 90	stabiliser		1	GT-2
(2)	996 343 792 12	stabiliser mounting		2	TURBO
(2)	996 343 792 11	stabiliser mounting	04-	2	X75 TURBO/COUPE
(2)	996 343 792 16	stabiliser mounting		2	GT-2
3	996 343 777 01	clip		2	
4	900 378 070 09	hexagon-head bolt M 10 X 30		4	
5	996 343 073 04	stabiliser mounting		2	TURBO
(5) K	996 343 069 91	stabiliser mounting		2	GT-2
7	999 084 445 09	hexagon nut M 12 X 1,5		2	
8	999 084 643 09	hexagon nut M 10		2	TURBO
. (8)	999 084 624 09	hexagon nut M 10		2	GT-2
		- - - E N D - - -			

Model	Year	MG	SG	Illustration	Restrictions	Update	12:10	25.11.2005	PORSCHE	PET	PORSCHE
996t	05	4	03	403-00		194					



Pos	Part Number	Name	Remarks	Qty	Model
		power steering steering gear steering parts			
1	A 996 347 011 06	steering gear power steering	/LL	1	
(1)	996 347 011 07	steering gear power steering	/LL	1	
(1)	A 996 347 012 07	steering gear power steering	/RL	1	
(1)	> 996 347 012 08	steering gear power steering	/RL	1	
-	A 996 347 110 01	clip pinion steering gear	-03	1	
-	996 347 110 02	clip pinion steering gear	04-	1	
2	996 347 191 04	bellows	/LL	2	
3	996 347 293 04	clamping ring	/LL	2	
4	996 347 373 00	sealing ring	/LL	2	
5	999 512 645 09	clamping ring		2	
6	996 347 322 03	joint		2	
7	999 034 037 09	hexagon nut M 14 X 1,5		2	
8	996 347 131 04	track rod		2	
9	-	see illustrations 4/01/00 POS.2			
10	900 378 100 09	hexagon-head bolt AM 10 X 45		2	
11	999 084 449 09	hexagon nut M 12 X 1,5		2	
		- - - E N D - - -			

Model	Year	MG	SG	Illustration	Restrictions	Update	12:10	25.11.2005	PORSCHE	PET	PORSCHE
996t	05	4	03	403-01		194					



Pos	Part Number	Name	Remarks	Qty	Model
		power steering lines			
1	996 347 451 28	pressure line	/LL -01	1	
(1) A	996 347 451 29	pressure line	/LL 02	1	
(1) A	996 347 451 30	pressure line	/LL 03-	1	
(1)	996 347 451 31	pressure line	/LL 03-	1	
(1)	996 347 452 06	pressure line	/RL 01	1	
(1) A	996 347 452 26	pressure line	/RL 02	1	
(1)	996 347 452 28	pressure line	/RL 03-	1	
(1)	996 347 451 08	pressure line	/LL 01	1	GT-2
(1) A	996 347 451 09	pressure line	/LL 02	1	GT-2
(1)	996 347 451 10	pressure line	/LL 03-	1	GT-2
(1)	996 347 452 04	pressure line	/RL 01	1	GT-2
(1) A	996 347 452 07	pressure line	/RL 02	1	GT-2
(1)	996 347 452 08	pressure line	/RL 03	1	GT-2
2	996 347 449 29	return line F >>991S6 80594	/LL	1	
(2)	996 347 449 29	return line F 991S6 80595>>	/LL 01	1	
(2)	996 347 449 30	return line	/LL 02-	1	
(2)	996 347 450 05	return line	/RL 01	1	
(2)	996 347 450 25	return line	/RL 02-	1	
(2)	996 347 449 09	return line	/LL	1	GT-2
(2)	996 347 450 03	return line	/RL 01	1	GT-2
(2)	996 347 450 06	return line	/RL 02-	1	GT-2
3	996 347 543 00	support		X	
(3)	996 347 553 00	support	/RL	1	
4	996 355 543 00	support		1	
-	996 347 674 00	support pressure line return line	/RL	1	
5 A	996 347 539 51	return line		1	

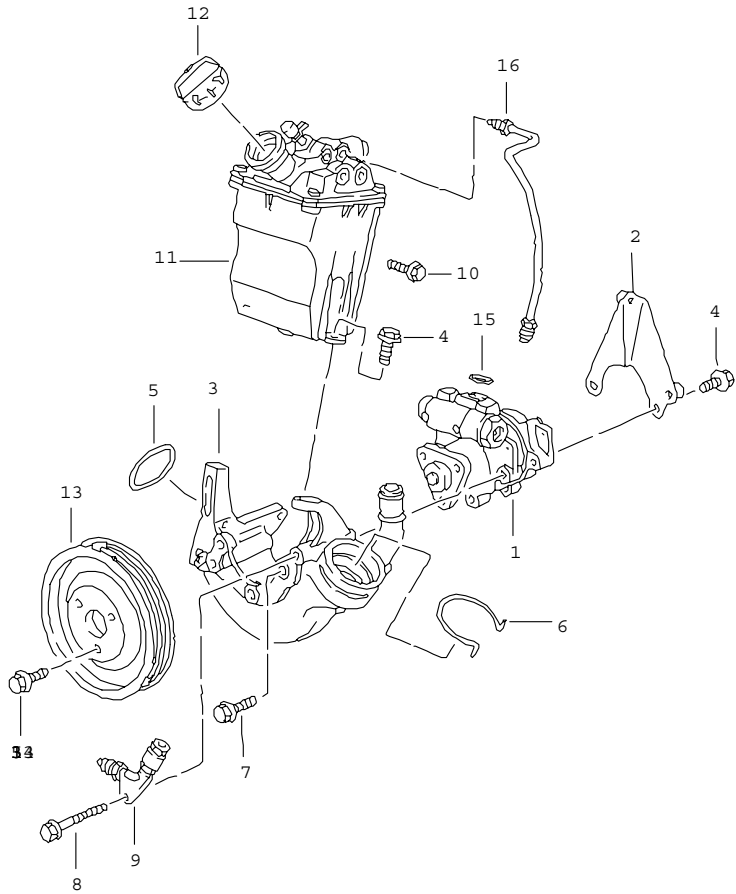
Model	Year	MG	SG	Illustration	Restrictions	Update	12:10	25.11.2005	PORSCHE	PET	PORSCHE
996t	05	4	03	403-01		194					

Pos	Part Number	Name	Remarks	Qty	Model	Pos	Part Number	Name	Remarks	Qty	Model
(5)	996 347 539 52	return line centre F >>994S6 80654 F >>994S6 70658 F >>994S6 95107		1		-	999 230 683 40	circlip for threaded joint F >>994S6 80655 F >>994S6 70659 F >>994S6 95108		1	
6	996 347 545 51	pressure line centre	01	1		10	996 347 439 50	return line F 994S6 80655>> F 994S6 70659>> F 994S6 95108>>		1	
(6)	996 347 545 52	pressure line centre F >>994S6 80654 F >>994S6 70658 F >>994S6 95107	02-	1		11	996 347 445 50	pressure line F 994S6 80655>> F 994S6 70659>> F 994S6 95108>>		1	
7	996 347 549 01	support		2		12	996 347 769 01	support		1	
8	996 347 443 53	pressure line rear F >>994S6 80654 F >>994S6 70658 F >>994S6 95107		1		13	900 067 063 02	pan-head screw M 10 X 20		1	
-	999 707 355 40	sealing ring pressure line F >>994S6 80654 F >>994S6 70658 F >>994S6 95107		1		14	996 347 551 01	retainer plate mount pressure line return line power steering		1	
9	996 347 441 52	return line rear F >>994S6 80654 F >>994S6 70658 F >>994S6 95107		1		-	996 347 771 02	support left	/RL	1	
-	999 230 551 10	threaded joint NW 10 F >>994S6 80654 F >>994S6 70658 F >>994S6 95107		1		-	996 347 672 02	support right	/RL	1	
-	999 230 551 10	threaded joint NW 10 F >>994S6 80654 F >>994S6 70658 F >>994S6 95107		1		-	996 347 547 00	support lines mount bracket		1	
-	999 230 552 10	threaded joint NW 6 F >>994S6 80654 F >>994S6 70658 F >>994S6 95107		1		- A	996 347 544 01	support		1	
-	999 230 552 10	threaded joint NW 6 F >>994S6 80654 F >>994S6 70658 F >>994S6 95107		1		-	997 347 544 00	support lines mount bracket		1	
-	999 230 685 40	circlip for threaded joint F >>994S6 80654 F >>994S6 70658 F >>994S6 95107		1		15	999 230 539 10	threaded joint		1	
						16	999 230 540 10	threaded joint		1	
						17	999 230 543 40	repair kit gaskets		1	
						18	999 230 542 40	o-ring		1	
						19	999 507 575 40	support 9,0/13,0		1	

Model	Year	MG	SG	Illustration	Restrictions	Update	12:10	25.11.2005	PORSCHE	PET	PORSCHE
996t	05	4	03	403-01		194					

Pos	Part Number	Name	Remarks	Qty	Model	Pos	Part Number	Name	Remarks	Qty	Model
20	997 347 544 00	support		1							
		- - - E N D - - -									

Model	Year	MG	SG	Illustration	Restrictions	Update	12:10	25.11.2005	PORSCHE	PET	PORSCHE
996t	05	4	03	403-03		194					

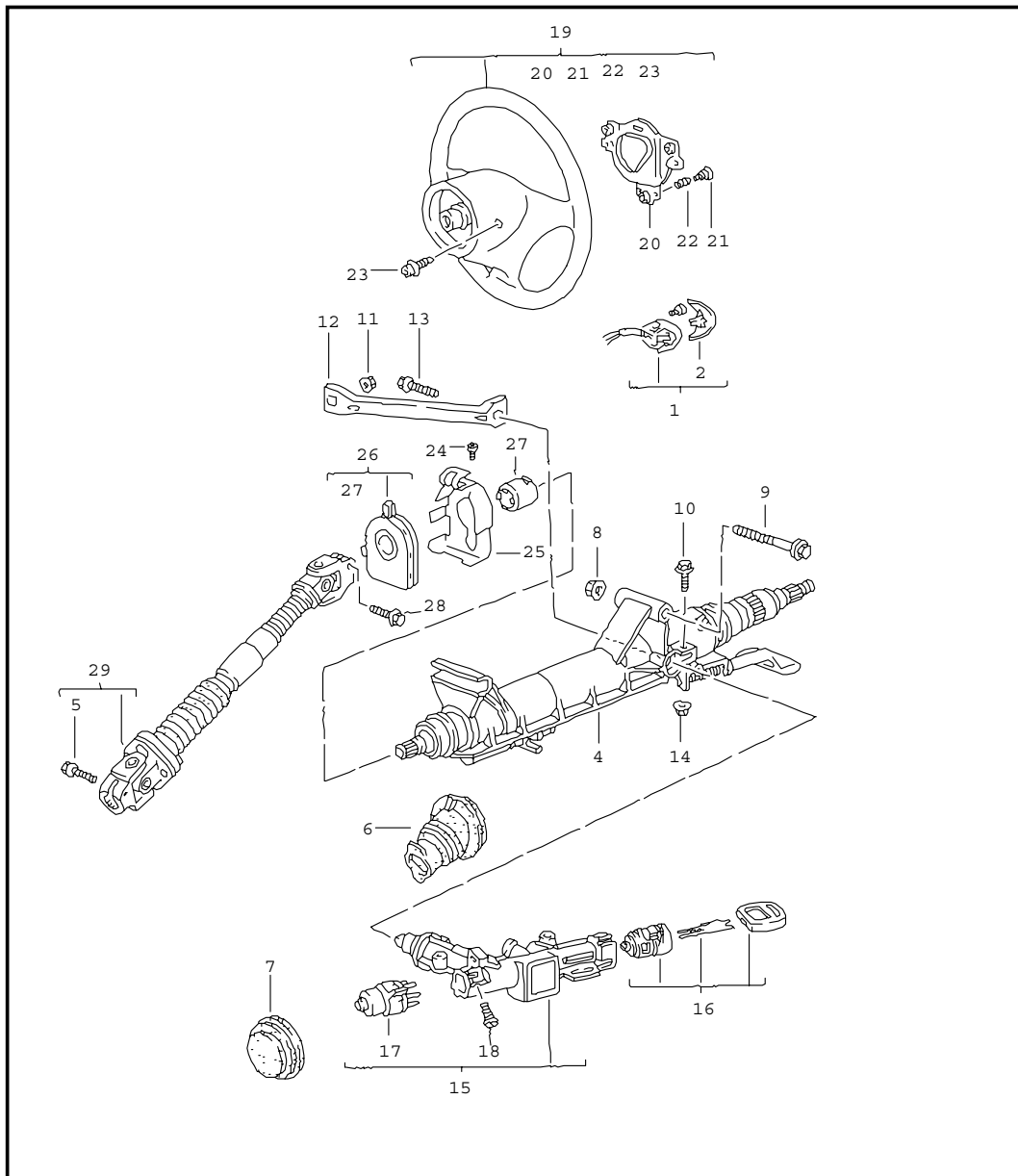


Pos	Part Number	Name	Remarks	Qty	Model
		power steering power-steering pump container			
1	996 314 050 51	power-steering pump		1	M 249
(1)	996 314 050 51	power-steering pump		1	GT-2
(1)	996 314 040 01	power-steering pump		1	M 480
2	996 314 431 52	bracket		1	M 249
(2)	996 314 431 32	bracket		1	M 480
(2)	996 314 431 53	bracket		1	GT-2
3	996 314 091 03	bracket		1	
4	900 378 074 09	hexagon-head bolt M 8 X 16		2	M 249
(4)	900 378 074 09	hexagon-head bolt M 8 X 16		1	M 480
5	999 707 298 40	o-ring		1	
6	996 106 802 10	retainer spring		1	
7	900 378 022 09	hexagon-head bolt M 8 X 25		3	
8	900 378 078 09	hexagon-head bolt M 6 X 80		1	M 249
(8)	900 378 078 09	hexagon-head bolt M 6 X 80		2	M 480
9	996 347 643 52	pressure line	01	1	
(9)	996 347 643 53	pressure line	02-	1	
10	900 378 035 09	hexagon-head bolt M 6 X 16		1	
11	996 314 220 51	container	01	1	M 249
(11)	996 314 920 53	container	02-	1	M 249
(11)	996 314 220 31	container	01	1	M 480
(11)	996 314 920 33	container	02-	1	M 480
(11)	996 314 920 34	container	02-	1	M 480
(11)	996 314 920 53	container		1	GT-2

Model	Year	MG	SG	Illustration	Restrictions	Update	12:10	25.11.2005	PORSCHE	PET	PORSCHE
996t	05	4	03	403-03		194					

Pos	Part Number	Name	Remarks	Qty	Model	Pos	Part Number	Name	Remarks	Qty	Model
-	996 314 331 00	drip pan for pentosin		1							
-	811 611 797	clip		1	M 480						
12	996 314 223 51	cover		1							
-	999 701 154 40	sealing ring 33 X 2,4		1							
13	996 147 223 71	pulley		1							
14	900 378 123 09	hexagon-head bolt M 8 X 12		3							
15	999 707 204 40	sealing ring 12.5 X 2N		1							
16	996 314 269 02	pressure line		1	M 480						
				1	GT-2						
-	000 043 203 33	pentosin 1000 ML		X							
		- - - E N D - - -									

Model	Year	MG	SG	Illustration	Restrictions	Update	12:10	25.11.2005	PORSCHE	PET	PORSCHE
996t	05	4	03	403-05		194					



Pos	Part Number	Name	Remarks	Qty	Model
1	996 347 831 00	steering outer tube steering shaft steering wheels		1	TURBO M 249
2	996 347 835 00	lever	/L	1	TURBO M 249
	01C	black			
(3)	996 347 836 00	lever	/R	1	TURBO M 249
	01C	black			
4 A	996 347 007 06	steering column complete with steering shaft see technical manual group 4 NR.45....	-02	1	TURBO
(4)	996 347 007 07	steering column complete with steering shaft	03-	1	TURBO
(4)	996 347 007 05	steering column complete with steering shaft		1	GT-2
5	999 217 042 09	hexagon-head tapping screw M 8 X 35		1	
6	986 347 037 01	bellows		1	
7	996 347 339 02	rubber seal		1	
8	900 380 008 09	hexagon nut M 10		1	
9	900 378 095 09	hexagon-head bolt M 10 X 100		1	
10	900 378 157 09	hexagon-head bolt AM 6 X 25		1	
11	999 076 055 09	hexagon nut M 8		1	
12	996 347 243 01	strut		1	
13	900 378 055 09	hexagon-head bolt AM 8 X 40		1	

Model	Year	MG	SG	Illustration	Restrictions	Update	12:10	25.11.2005	PORSCHE	PET	PORSCHE
996t	05	4	03	403-05		194					

Pos	Part Number	Name	Remarks	Qty	Model	Pos	Part Number	Name	Remarks	Qty	Model
14	900 377 002 02	hexagon nut M 6		1			A28	black			
15	996 347 017 06	steering lock housing	-03	1			D11	dark grey/natural	02-		
(15)	996 347 017 07	steering lock housing see technical information group 2 NR.2/03	04-	1		(19)	996 347 983 00	3-spoke steering wheel	02-	1	M 480/XPA
16	996 347 917 00	lock cylinder with stipulated lock-no.	-01	1			A28	black			
(16)	996 347 917 01	lock cylinder with stipulated lock-no.	02-	1			C60	graphite grey			
(16)	996 347 915 00	lock cylinder w/o stipulated lock number	-01	1			S40	savanna			
(16)	996 347 915 01	lock cylinder w/o stipulated lock number	02-	1			G30	metropole blue			
17	4A0 905 849 B	ignition starter switch	-03	1			J40	nephrite green	-03		
(17)	4B0 905 849	ignition starter switch see technical information group 2 NR.2/03	04-	1		(19)	996 347 983 04	3-spoke steering wheel		1	M 480/XPB
18	996 347 901 00	slotted screw		2			A28	black			
19	996 347 804 54	steering wheel		1	TURBO		C60	graphite grey			
	A28	black			M 480		S40	savanna			
	C60	graphite grey					G30	metropole blue			
	G30	metropole blue					J40	nephrite green	-03		
	S40	savanna					M40	boxster red			
	M40	boxster red					P20	cinnamon brown			
	J40	nephrite green	-03				D11	dark grey/natural			
	D11	dark grey/natural				(19)	996 347 983 10	3-spoke steering wheel		1	M 480/XPC
	T11	brown/natural					A28	black			
(19)	996 347 804 57	steering wheel	05-	1	TURBO-S		C60	graphite grey			
	VTB	dark grey/natural			M 480/M 971		S40	savanna			
	VTL	brown/natural					G30	metropole blue			
(19)	996 347 804 54	steering wheel		1	GT-2		J40	nephrite green	-03		

Model	Year	MG	SG	Illustration	Restrictions	Update	12:10	25.11.2005	PORSCHE	PET	PORSCHE
996t	05	4	03	403-05		194					

Pos	Part Number	Name	Remarks	Qty	Model	Pos	Part Number	Name	Remarks	Qty	Model
	M40	boxster red				(19)	996 347 983 12	3-spoke steering wheel		1	M 480/XPD GT-2
	P20	cinnamon brown					A28	black			
	D11	dark grey/natural					D11	dark grey/natural	02-		
	T11	brown/natural					T11	brown/natural	02-		
(19)	996 347 983 12	3-spoke steering wheel		1	M 480/XPD	(19)	996 347 983 28	3-spoke steering wheel	03-	1	M 480/XPG GT-2
	A28	black					A28	black			
	C60	graphite grey					D11	dark grey/natural			
	S40	savanna					T11	brown/natural			
	G30	metropole blue				(19)	993 347 981 01	four-spoke steering wheel	01	1	M 480/X26
	J40	nephrite green	-03				A28	black			
	M40	boxster red					C60	graphite grey			
	P20	cinnamon brown					S40	savanna			
	D11	dark grey/natural					G30	metropole blue			
	T11	brown/natural					J40	nephrite green			
(19)	996 347 983 28	3-spoke steering wheel	03-	1	M 480/XPG		M40	boxster red			
	A28	black					P20	cinnamon brown			
	C60	graphite grey					D11	dark grey/natural			
	S40	savanna					T11	brown/natural			
	G30	metropole blue				(19)	993 347 981 07	four-spoke steering wheel	01	1	M 480/X77
	J40	nephrite green	-03				A28	black			
	M40	boxster red					C60	graphite grey			
	P20	cinnamon brown					S40	savanna			
	D11	dark grey/natural					G30	metropole blue			
	T11	brown/natural					J40	nephrite green			
(19)	996 347 983 00	3-spoke steering wheel		1	M 480/XPA GT-2		M40	boxster red			
	A28	black					P20	cinnamon brown			
	D11	dark grey/natural	02-				D11	dark grey/natural			
	T11	brown/natural	02-				T11	brown/natural			

Model	Year	MG	SG	Illustration	Restrictions	Update	12:10	25.11.2005	PORSCHE	PET	PORSCHE
996t	05	4	03	403-05		194					

Pos	Part Number	Name	Remarks	Qty	Model	Pos	Part Number	Name	Remarks	Qty	Model
(19)	996 347 981 01	four-spoke steering wheel	01	1	M 480/X28		P20	cinnamon brown			
	A28	black				(19)	996 347 804 67	steering wheel	05-	1	TURBO-S
	C60	graphite grey					VTB	dark grey/natural			M 249/M 971
	S40	savanna					VTL	brown/natural			
	G30	metropole blue				(19)	996 347 983 01	3-spoke steering wheel		1	M 249/XPA
	J40	nephrite green					A28	black			
	M40	boxster red					C60	graphite grey			
	P20	cinnamon brown					S40	savanna			
	D11	dark grey/natural					G30	metropole blue			
	T11	brown/natural					J40	nephrite green	-03		
(19)	996 347 981 03	four-spoke steering wheel	01	1	M 480/X30		M40	boxster red			
	A28	black					P20	cinnamon brown			
	C60	graphite grey					D11	dark grey/natural			
	S40	savanna					T11	brown/natural			
	G30	metropole blue				(19)	996 347 983 05	3-spoke steering wheel		1	M 249/XPB
	J40	nephrite green					A28	black			
	M40	boxster red					C60	graphite grey			
	P20	cinnamon brown					S40	savanna			
	D11	dark grey/natural					G30	metropole blue			
	T11	brown/natural					J40	nephrite green	-03		
(19)	996 347 804 64	steering wheel		1	TURBO		M40	boxster red			
	A28	black			M 249		P20	cinnamon brown			
	C60	graphite grey					D11	dark grey/natural			
	G30	metropole blue					T11	brown/natural			
	S40	savanna				(19)	996 347 983 11	3-spoke steering wheel		1	M 249/XPC
	M40	boxster red					A28	black			
	J40	nephrite green	-03				C60	graphite grey			
	D11	dark grey/natural					S40	savanna			
	T11	brown/natural					G30	metropole blue			

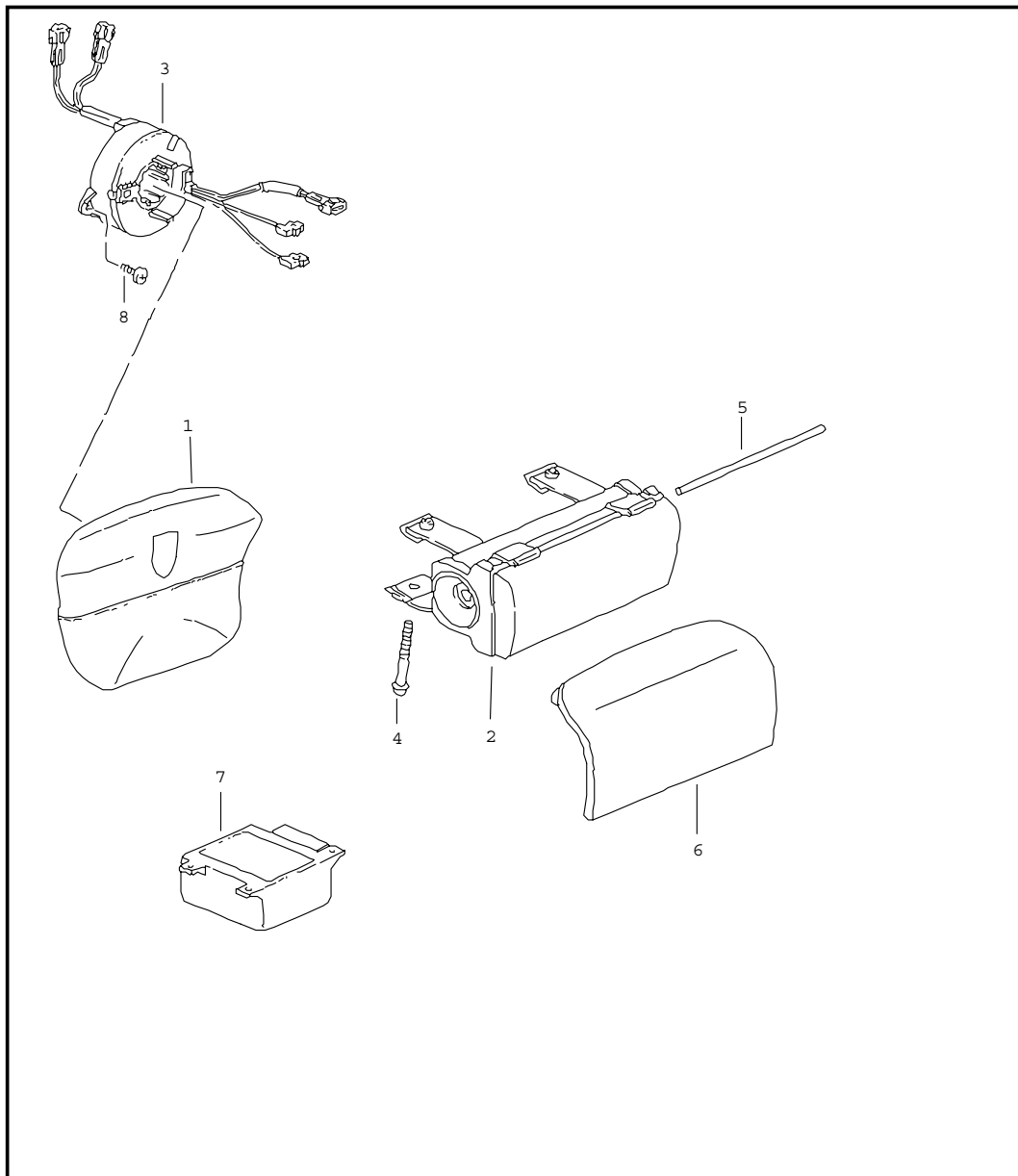
Model	Year	MG	SG	Illustration	Restrictions	Update	12:10	25.11.2005	PORSCHE	PET	PORSCHE
996t	05	4	03	403-05		194					

Pos	Part Number	Name	Remarks	Qty	Model	Pos	Part Number	Name	Remarks	Qty	Model
	J40	nephrite green	-03				G30	metropole blue			
	M40	boxster red					J40	nephrite green			
	P20	cinnamon brown					M40	boxster red			
	D11	dark grey/natural					P20	cinnamon brown			
	T11	brown/natural					D11	dark grey/natural			
(19)	996 347 983 13	3-spoke steering wheel		1	M 249/XPD		T11	brown/natural			
	A28	black				(19)	993 347 981 08	four-spoke steering wheel	01	1	M 249/X77
	C60	graphite grey					A28	black			
	S40	savanna					C60	graphite grey			
	G30	metropole blue					S40	savanna			
	J40	nephrite green	-03				G30	metropole blue			
	M40	boxster red					J40	nephrite green			
	P20	cinnamon brown					M40	boxster red			
	D11	dark grey/natural					P20	cinnamon brown			
	T11	brown/natural					D11	dark grey/natural			
(19)	996 347 983 29	3-spoke steering wheel	03-	1	M 249/XPG		T11	brown/natural			
	A28	black				(19)	996 347 981 02	four-spoke steering wheel	01	1	M 249/X28
	C60	graphite grey					A28	black			
	S40	savanna					C60	graphite grey			
	G30	metropole blue					S40	savanna			
	J40	nephrite green	-03				G30	metropole blue			
	M40	boxster red					J40	nephrite green			
	P20	cinnamon brown					M40	boxster red			
	D11	dark grey/natural					P20	cinnamon brown			
	T11	brown/natural					D11	dark grey/natural			
(19)	993 347 981 02	four-spoke steering wheel	01	1	M 249/X26		T11	brown/natural			
	A28	black				(19)	996 347 981 04	four-spoke steering wheel	01	1	M 249/X30
	C60	graphite grey					A28	black			
	S40	savanna					C60	graphite grey			

Model	Year	MG	SG	Illustration	Restrictions	Update	12:10	25.11.2005	PORSCHE	PET	PORSCHE
996t	05	4	03	403-05		194					

Pos	Part Number	Name	Remarks	Qty	Model	Pos	Part Number	Name	Remarks	Qty	Model
	S40	savanna				29	996 347 023 00	steering shaft		1	TURBO
	G30	metropole blue						- - - E N D - - -			
	J40	nephrite green									
	M40	boxster red									
	P20	cinnamon brown									
	D11	dark grey/natural									
	T11	brown/natural									
		mount									
		steering wheel									
		steering shaft									
-	N 012 238 1	spring washer B 16		1							
-	900 078 006 01	hexagon nut M 16 X 1,5		1							
20	996 347 880 02	plate		1							
21	999 073 184 02	round head screw M 5 X 18,7		3							
22	999 521 079 02	compression spring		3							
23	999 073 183 02	pan-head screw M 6 X 10,5		2							
24	U	oval-head screw M 3 X 5		3	TURBO						
25	996 347 617 00	cover plate		1	TURBO						
26	996 606 109 02	steering-angle sensor see technical manual group 4 NR.45....	-02	1	TURBO						
(26)	996 606 119 00	steering-angle sensor	03-	1	TURBO						
-	996 610 123 00	cable guide for steering-angle sensor	-02	1	TURBO						
-	996 610 123 01	cable guide for steering-angle sensor	03-	1	TURBO						
27	996 347 705 00	adapter		1	TURBO						
28	999 217 042 09	hexagon-head bolt M 8 X 35		1							

Model	Year	MG	SG	Illustration	Restrictions	Update	12:10	25.11.2005	PORSCHE	PET	PORSCHE
996t	05	4	03	403-06		194					



Pos	Part Number	Name	Remarks	Qty	Model
1	996 803 089 05	airbag airbag unit 3-spoke steering wheel leather		1	TURBO
	A08	black			
	A28	black			
	C56	graphite grey			
	C60	graphite grey			
	S36	savanna			
	S40	savanna			
	G16	metropole blue			
	G30	metropole blue			
	J36	nephrite green			
	J40	nephrite green	-03		
	M36	boxster red			
	M40	boxster red			
	D11	dark grey/natural			
	T11	brown/natural			
	P16	cinnamon brown			
	P20	cinnamon brown			
(1)	996 803 089 05	airbag unit 3-spoke steering wheel leather	-02	1	GT2
	A28	black			
	D11	dark grey/natural	02		
	T11	brown/natural	02		
(1)	996 803 089 02	airbag unit 3-spoke steering wheel plastic material	03-	1	GT2
	A28	black			
	D11	dark grey/natural			
	T11	brown/natural			

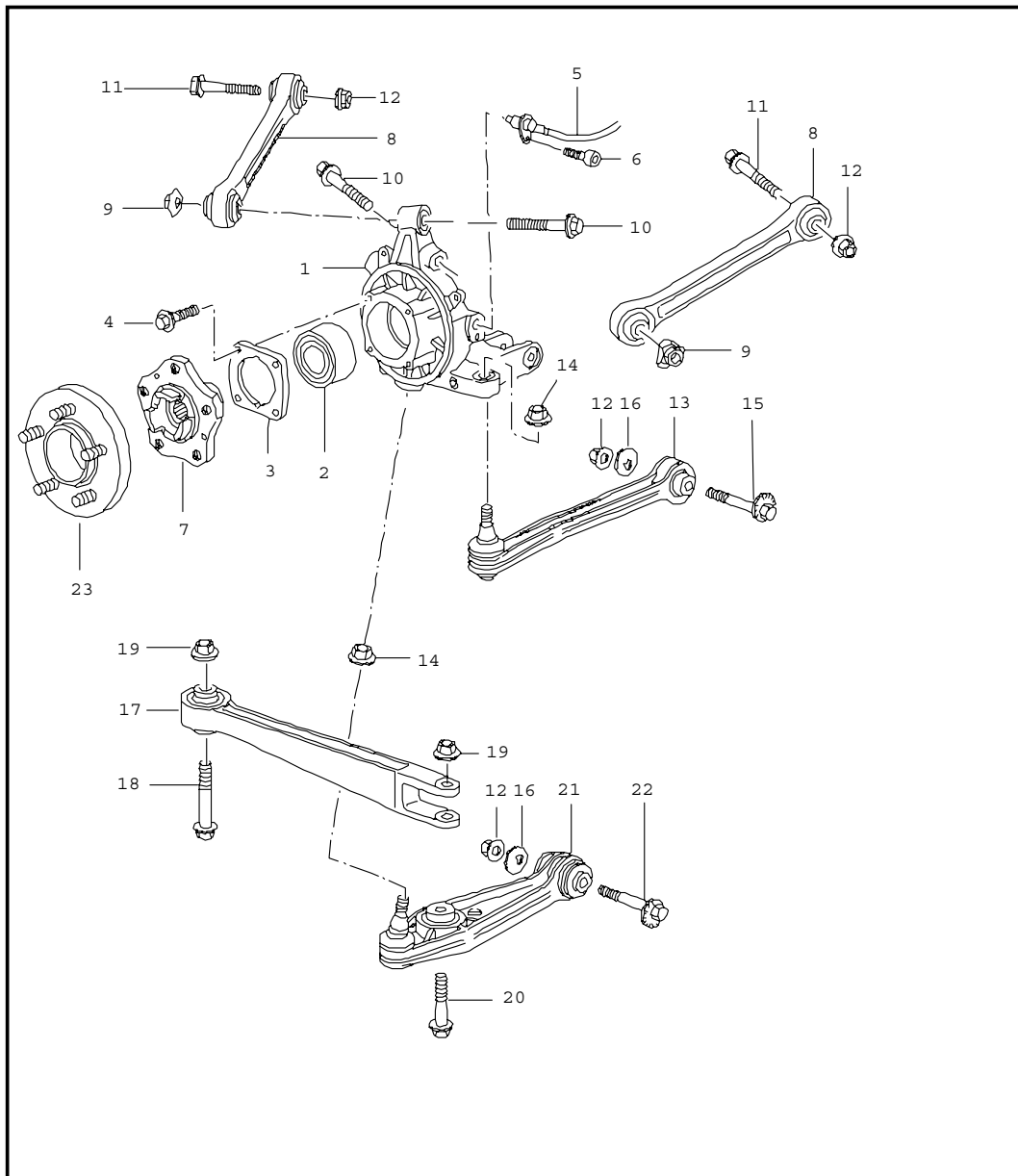
Model	Year	MG	SG	Illustration	Restrictions	Update	12:11	25.11.2005	PORSCHE	PET	PORSCHE
996t	05	4	03	403-06		194					

Pos	Part Number	Name	Remarks	Qty	Model	Pos	Part Number	Name	Remarks	Qty	Model
(1)	996 803 980 01	airbag unit 3-spoke steering wheel leather emblem coloured	03-	1	XPA/XPB/ XPC/XPD/ XPG		T11	brown/natural			
	A28	black				2	A 996 803 071 06	airbag unit	-01	1	
	C60	graphite grey				(2)	A 996 803 071 07	airbag unit see technical information GR.6 NR.2/03	-03	1	
	S40	savanna				(2)	996 803 071 08	airbag unit see technical information GR.6 NR.2/03	03-	1	
	G30	metropole blue				-	996 803 091 00	airbag unit	/L	1	M 563
	J40	nephrite green	-03			-	996 803 092 00	airbag unit	/R	1	M 563
	M40	boxster red				-	900 378 222 09	hexagon-head bolt M 6 X 16		8	M 563
	P20	cinnamon brown				3	996 652 211 00	support for contact		1	M 480
	D11	dark grey/natural				(3)	996 652 213 00	support for contact		1	M 249
	T11	brown/natural				4	900 378 137 09	hexagon-head bolt AM 8 X 95		2	
(1)	996 803 980 01	airbag unit 3-spoke steering wheel leather emblem coloured	03-	1	GT2/XPA/ XPD XPG	5	996 803 611 00	hinge pin		1	
	A28	black		1		6	996 803 173 05	cover leather		1	TURBO
	D11	dark grey/natural	02-	1			A11	black			
	T11	brown/natural	02-	1			C51	graphite grey			
(1)	996 803 980 02	airbag unit four-spoke steering wheel leather emblem embossed	01 01	1	X26/X28/ X30/X77		S31	savanna			
	A28	black					G11	metropole blue			
	C60	graphite grey					J31	nephrite green	-03		
	S40	savanna					M31	boxster red			
	G30	metropole blue					P12	cinnamon brown			
	J40	nephrite green					D12	dark grey/natural			
	M40	boxster red					T12	brown/natural			
	P20	cinnamon brown				(6)	996 803 173 05	cover leather		1	GT2
	D11	dark grey/natural					A11	black			
							D12	dark grey/natural	02-		
							T12	brown/natural	02-		

Model	Year	MG	SG	Illustration	Restrictions	Update	12:11	25.11.2005	PORSCHE	PET	PORSCHE
996t	05	4	03	403-06		194					

Pos	Part Number	Name	Remarks	Qty	Model	Pos	Part Number	Name	Remarks	Qty	Model
(7)	996 618 219 01	switch unit	-02	1	M 562,563						
(7)	996 618 219 02	switch unit	04-	1	M 562,563						
-	900 377 010 09	nut M 6		1	M 562,563						
-	944 618 401 00	nut M 6		2	M 562,563						
-	996 618 221 00	sensor airbag	-01	2	M 563						
-	996 618 221 01	sensor airbag	02-	2	M 563						
-	999 073 152 09	oval-head screw M 6 X 18		4	M 563						
8	900 146 024 07	oval-head screw M 5 X 8		2							
		- - - E N D - - -									

Model	Year	MG	SG	Illustration	Restrictions	Update	12:11	25.11.2005	PORSCHE	PET	PORSCHE
996t	05	5	01	501-00		194					

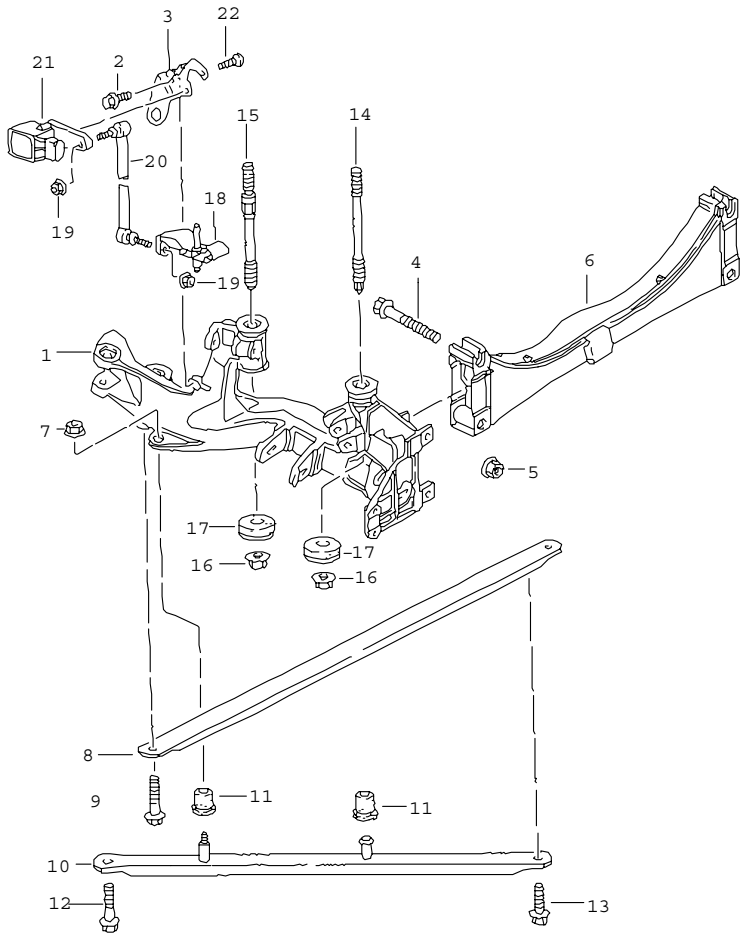


Pos	Part Number	Name	Remarks	Qty	Model
		rear axle wheel carrier control arm wheel hub			
1	996 331 111 06	wheel carrier	/L	1	
(1)	996 331 112 06	wheel carrier	/R	1	
2	999 053 055 02	angular-contact bearing		2	
3	996 331 661 01	cover		2	
4	999 217 042 09	hexagon-head bolt M 8 X 35		8	
5	996 606 406 00	speed sensor	-03	2	
(5)	996 606 407 02	speed sensor	04-	2	
6	900 067 117 09	pan-head screw M 6 X 16		2	
7 A	996 331 605 04	wheel hub		2	
(7)	997 331 605 00	wheel hub		2	
8	996 331 047 02	control arm	-01	2	
(8)	996 331 047 03	control arm	-03	2	
(8)	996 331 047 05	control arm	04-	2	
9	999 084 452 09	hexagon nut M 12 X 1,5		4	
10	900 378 139 09	hexagon-head bolt M 12 X 80		4	
11	900 378 088 09	hexagon-head bolt M 12 X 100		4	
12	999 084 445 09	hexagon nut M 12 X 1,5		10	
13 A	996 331 045 12	track rod		1	
(13)	997 331 045 04	track rod		1	
14	999 084 449 09	hexagon nut M 12 X 1,5		4	
15	996 331 217 02	eccentric screw M 12 X 83		2	TURBO
(15)	993 331 217 80	eccentric screw M 12 X 83		2	GT2

Model	Year	MG	SG	Illustration	Restrictions	Update	12:11	25.11.2005	PORSCHE	PET	PORSCHE
996t	05	5	01	501-00		194					

Pos	Part Number	Name	Remarks	Qty	Model	Pos	Part Number	Name	Remarks	Qty	Model
16	996 331 219 00	eccentric washer		2	TURBO						
(16)	993 331 219 80	eccentric washer		2	GT2						
17	996 341 043 03	control arm		2							
18	900 378 051 09	hexagon-head bolt M 14 X 100		2							
19	900 380 012 09	hexagon nut M 14 X 1,5		4							
20	900 378 135 09	hexagon-head bolt M 14 X 75		2							
21 A	996 341 053 14	control arm	-03	2							
(21)	996 341 053 16	control arm	04-	2							
- A	996 331 493 90	spoiler control arm	/L	1	GT-2						
-	996 331 127 90	spoiler control arm	/L	1	GT-2						
- U	996 331 533 90	rubber lip spoiler	/L	1	GT-2						
- A	996 331 494 90	spoiler control arm	/R	1	GT-2						
-	996 331 128 90	spoiler control arm	/R	1	GT-2						
- U	996 331 534 90	rubber lip spoiler	/R	1	GT-2						
22	996 331 217 03	eccentric screw		2							
23	996 361 617 00	spacer ring 17 MM with wheel bolt	02-	2	XRN/TURBO						
		- - - E N D - - -									

Model	Year	MG	SG	Illustration	Restrictions	Update	12:11	25.11.2005	PORSCHE	PET	PORSCHE
996t	05	5	01	501-01		194					

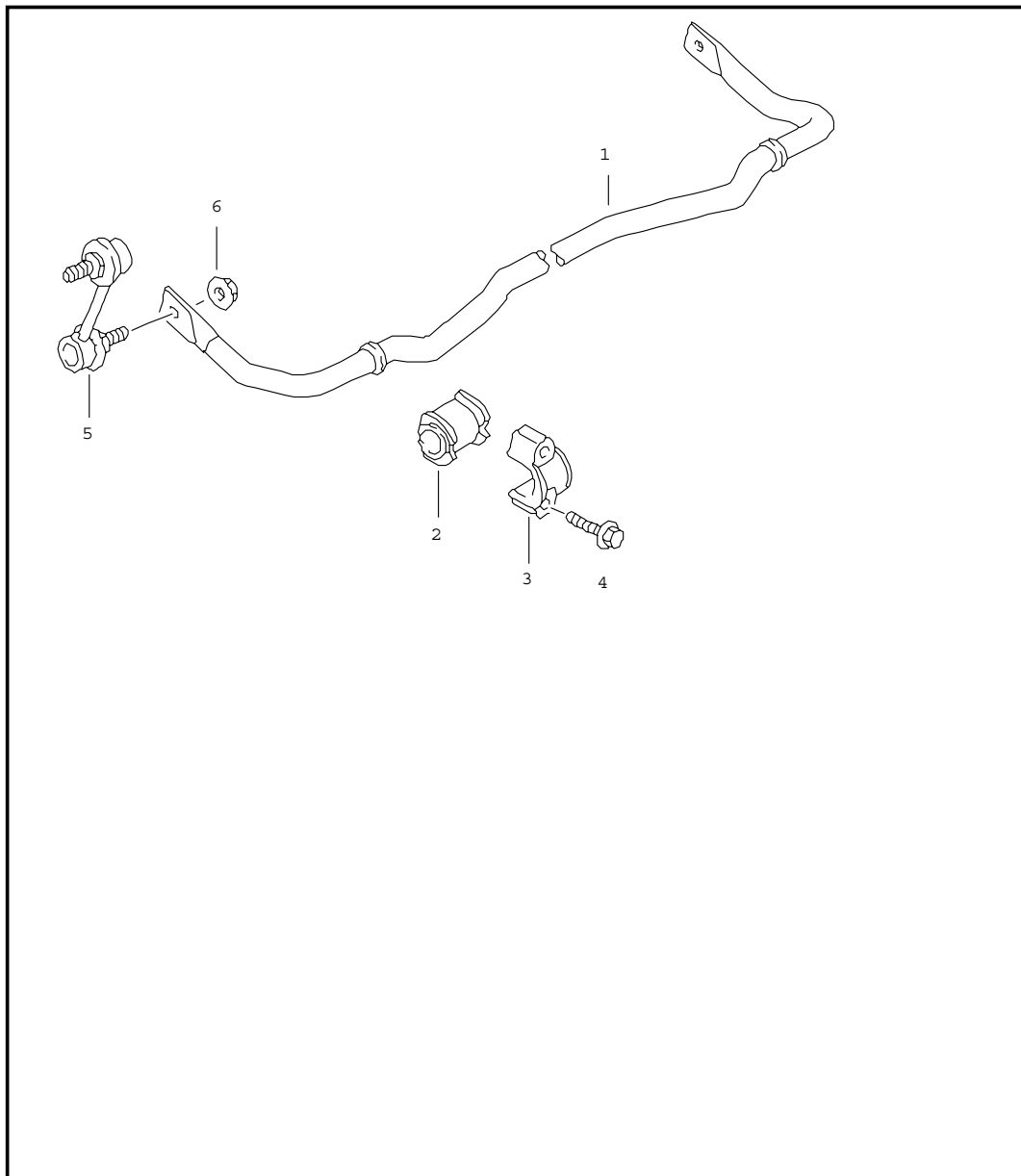


Pos	Part Number	Name	Remarks	Qty	Model
		rear axle side section bracket			
(1)	996 331 055 01	side section	/L	1	TURBO
(1)	996 331 056 01	side section	/R	1	TURBO
(1) K	996 331 051 91	side section	/L	1	GT-2
(1) K	996 331 052 91	side section	/R	1	GT-2
2	900 067 117 09	screw M 6 X 16		2	
3	996 355 505 04	support for brake hose	/L	1	M 601
(3)	996 355 506 02	support for brake hose F >>994S6 80654 F >>994S6 70658 F >>994S6 95107	/R	1	
(3)	997 355 506 02	support for brake hose F 994S6 80654>> F 994S6 70659>> F 994S6 95108>> F 994S6 65255>> F 994S6 76216>> F 994S6 96075>>	/R	1	
4	900 378 139 09	screw M 12 X 80		4	
5	999 084 445 09	hexagon nut M 12 X 1,5		4	
6 A	996 331 061 00	cross member	-03	1	TURBO
(6)	996 331 061 01	cross member	04-	1	TURBO
(6) A	996 331 261 07	cross member	01	1	GT-2
(6)	996 331 261 10	cross member	02-	1	GT-2
7	999 076 053 09	hexagon nut M 10		2	
8	996 331 171 03	transverse strut front		1	TURBO M 480
(8)	996 331 171 04	transverse strut front		1	TURBO M 249

Model	Year	MG	SG	Illustration	Restrictions	Update	12:11	25.11.2005	PORSCHE	PET	PORSCHE
996t	05	5	01	501-01		194					

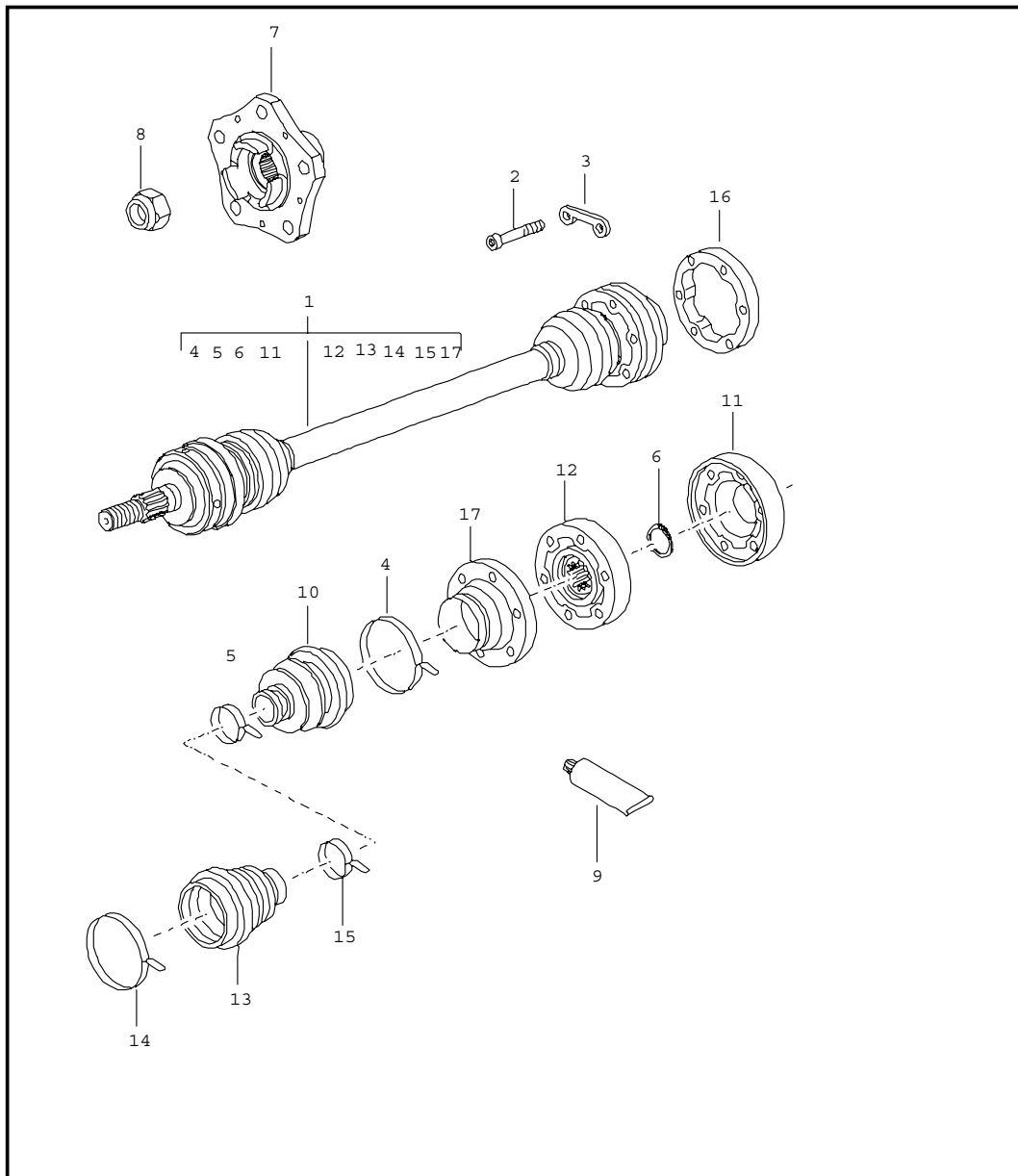
Pos	Part Number	Name	Remarks	Qty	Model	Pos	Part Number	Name	Remarks	Qty	Model
(8)	996 331 171 03	transverse strut front		1	GT-2						
9	999 072 031 09	hexagon-head bolt M 10 X 45		2							
10	A 996 331 081 02	strut	-04	2							
(10)	997 331 081 01	strut	05-	2							
11	996 331 385 00	rubber mounting		6							
12	999 072 031 09	hexagon-head bolt M 10 X 45		2							
13	900 378 072 09	hexagon-head bolt M 12 X 30		2							
14	999 061 102 09	stud M 12 X 1,5		4							
15	999 061 103 09	stud M 12 X 1,5		2							
16	999 084 445 09	hexagon nut M 12 X 1,5		6							
17	996 331 291 02	washer		6							
18	996 341 371 03	support		1	M 601						
19	900 380 015 09	hexagon nut VM 6		2	M 601						
20	996 331 375 01	strut		1	M 601						
21	996 631 121 00	sensor		1	M 601						
22	N 014 129 12	oval-head screw M 5 X 10		2	M 601						
		- - - E N D - - -									

Model	Year	MG	SG	Illustration	Restrictions	Update	12:11	25.11.2005	PORSCHE	PET	PORSCHE
996t	05	5	01	501-03		194					



Pos	Part Number	Name	Remarks	Qty	Model
		stabiliser			
1	996 333 705 03	stabiliser 21,70 MM	-04	1	TURBO
(1)	996 333 705 05	stabiliser 21,70 MM	05-	1	TURBO
(1) A	996 333 705 04	stabiliser 22,50 MM		1	X75 TURBO/COUPE
(1)	996 333 705 06	stabiliser 22,50 MM	04-	1	X75 TURBO/COUPE
(1) K	996 333 701 90	stabiliser 20,77 MM		1	GT-2
2	996 333 792 27	stabiliser mounting		2	TURBO
(2)	996 333 792 29	stabiliser mounting	04-	2	X75 TURBO/COUPE
(2)	996 333 792 26	stabiliser mounting		2	GT-2
3	996 333 777 01	clamp		2	
4	900 378 055 09	hexagon-head bolt AM 8 X 40		4	
5	996 333 069 03	stabiliser mounting		2	TURBO
(5) K	996 333 069 90	stabiliser mounting		2	GT-2
6	999 084 643 09	hexagon nut M 10		2	TURBO
(6)	999 084 624 09	hexagon nut M 10		2	GT-2
		- - - E N D - - -			

Model	Year	MG	SG	Illustration	Restrictions	Update	12:11	25.11.2005	PORSCHE	PET	PORSCHE
996t	05	5	01	501-05		194					

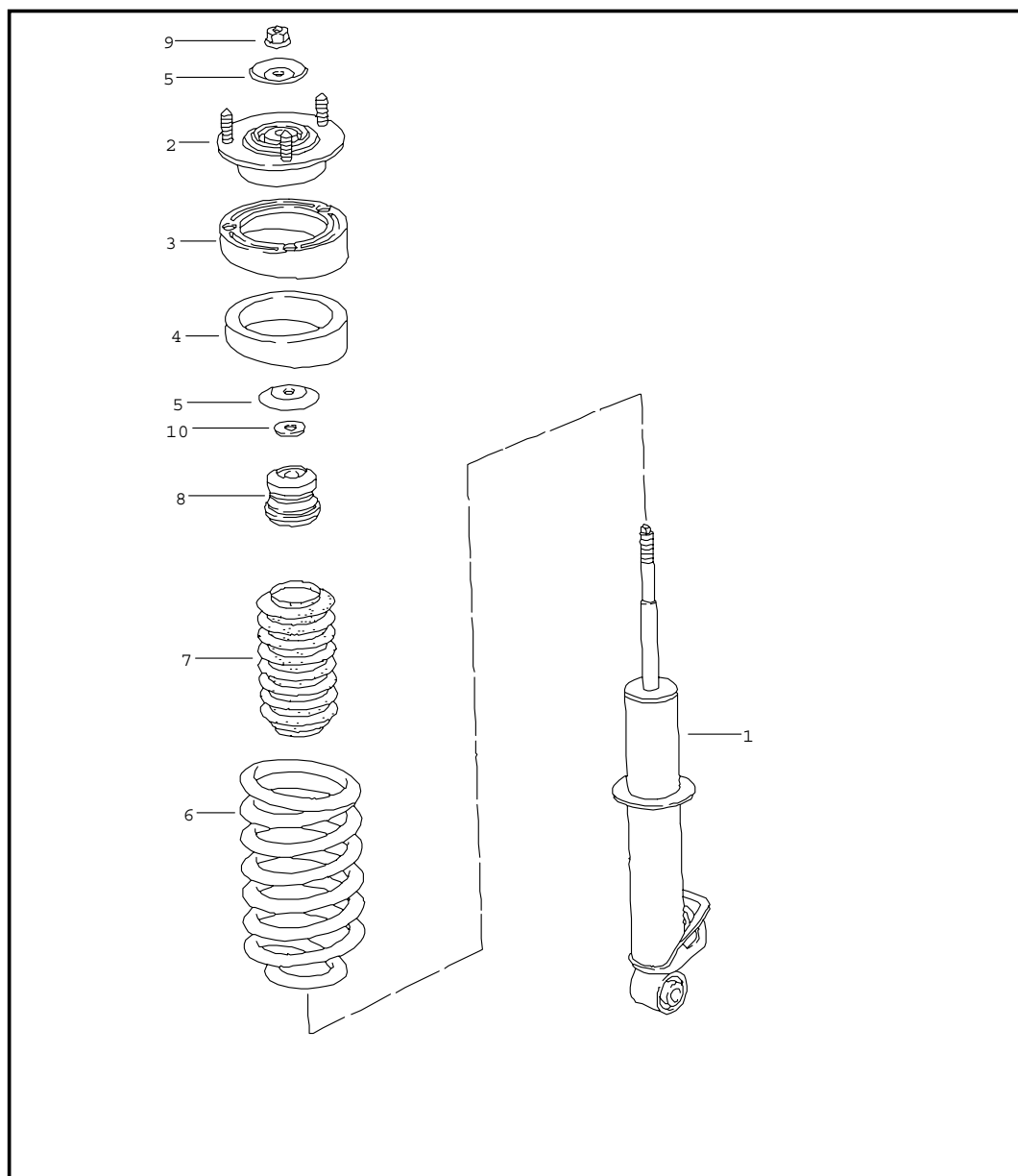


Pos	Part Number	Name	Remarks	Qty	Model
		drive shaft wheel hub			
1	996 332 024 11	drive shaft		2	M 249
(1)	996 332 024 10	drive shaft		2	M 480
2	900 067 123 09	pan-head screw M 10 X 50		12	M 480
(2) U	900 067 121 09	pan-head screw M 10 X 65		12	M 249
(2)	999 510 041 09	pan-head screw M 10 X 65		12	
3	993 332 191 00	plate	-02	6	
(3)	996 332 191 00	plate	03-	6	
4	911 332 257 00	clip \$ 73 MM		2	
5	928 332 257 01	clip \$ 34 MM		2	
6	900 041 014 00	circlip		2	
7	996 331 605 04	wheel hub		2	
(7)	997 331 605 00	wheel hub		2	
8	999 084 641 02	lock nut M 22 X 1,5	-03	2	
(8)	999 084 641 02	lock nut M 22 X 1,5	04-	2	
9	000 043 110 01	grease 1 tube 100 g		X	
(9)	000 043 205 36	sealing compound drive shaft 1 tube 100 g		X	
10	928 332 293 02	dust bellows		2	
11	928 332 267 01	cap		2	
12	928 332 030 08	joint		2	
13	928 332 293 02	dust bellows		2	
14	911 332 257 00	clip		2	
15	928 332 257 01	clip		2	

Model	Year	MG	SG	Illustration	Restrictions	Update	12:11	25.11.2005	PORSCHE	PET	PORSCHE
996t	05	5	01	501-05		194					

Pos	Part Number	Name	Remarks	Qty	Model	Pos	Part Number	Name	Remarks	Qty	Model
16	996 332 229 01	spacer ring	-02	2	TURBO M 249						
(16)	996 332 229 01	spacer ring	03-	2	TURBO M 249						
17	911 332 259 01	support		2							
		- - - E N D - - -									

Model	Year	MG	SG	Illustration	Restrictions	Update	12:12	25.11.2005	PORSCHE	PET	PORSCHE
996t	05	5	02	502-00		194					

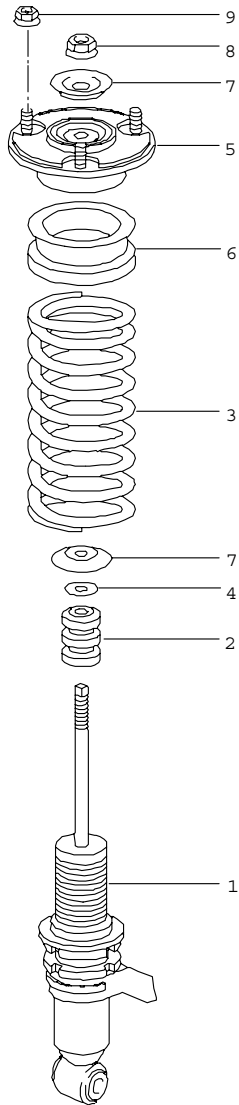


Pos	Part Number	Name	Remarks	Qty	Model
		shock absorber coil spring			TURBO
1	A 996 333 051 17	shock absorber - bilstein -	-03	2	COUPE
(1)	996 333 051 36	shock absorber - bilstein -	04-	2	COUPE
(1) U	996 333 051 29	shock absorber - bilstein -	04-	2	CABRIO
(1)	996 333 051 37	shock absorber - bilstein -	04-	2	CABRIO
(1) A	996 333 980 16	shock absorber - bilstein -	03	2	X73 COUPE
(1)	996 333 980 25	vibration damper - BILSTEIN -	04-	2	X73 COUPE
		mount shock absorber			
-	900 378 138 09	hexagon-head bolt M 12 X 1,5 X 70		2	
-	999 084 445 09	hexagon nut M 12 X 1,5		2	
2	996 333 059 03	supporting mount		2	
-	900 380 008 09	hexagon nut M 10		6	
3	996 333 511 02	compensating plate 0,5 MM		X	
(3)	996 333 511 03	compensating plate 4,0 MM		X	
(3)	996 333 980 19	compensating plate 3,0 MM	03-	X	X73 COUPE
(3)	996 333 980 20	compensating plate 7,0 MM	03-	X	X73 COUPE
4	993 333 504 00	ring		2	
(4)	996 333 980 18	ring	03-	2	X73 COUPE
5	996 333 107 00	stop plate		4	
6	996 333 531 19	coil spring 1 set	-01	1	M 480

Model	Year	MG	SG	Illustration	Restrictions	Update	12:12	25.11.2005	PORSCHE	PET	PORSCHE
996t	05	5	02	502-00		194					

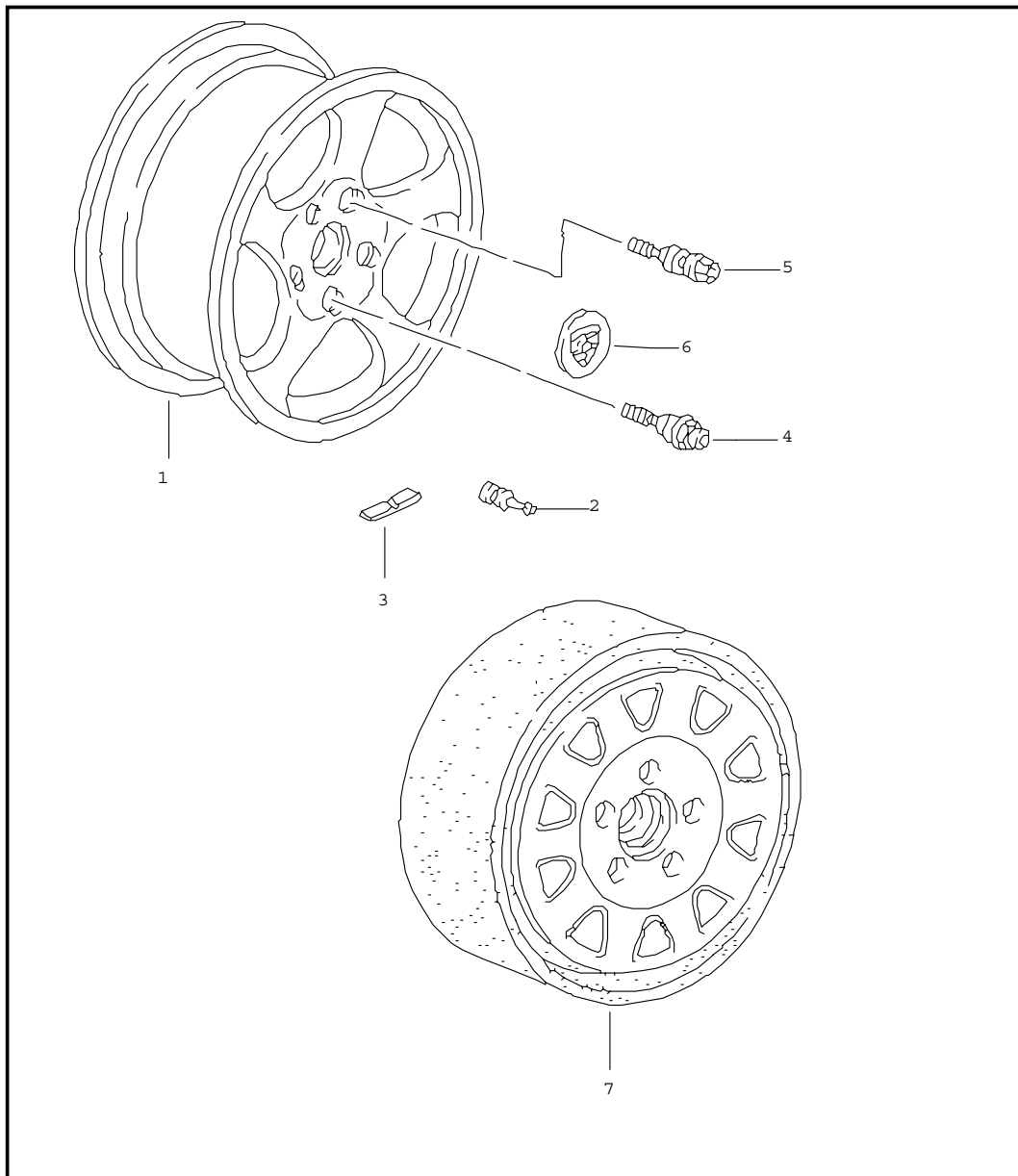
Pos	Part Number	Name	Remarks	Qty	Model	Pos	Part Number	Name	Remarks	Qty	Model
	504	marked gold-coloured white F >>992S6 82161				(6)	996 333 980 12	coil spring 1 set	03-	1	X73 COUPE
(6)	996 333 531 44	coil spring 1 set	02-	1	COUPE M 480		504	marked green blue			
	504	marked gold-coloured white F 992S6 82162>>				7	993 333 107 01	bellows		2	
	504	marked gold-coloured silver				8	996 333 105 03	additional spring		2	
(6) U	996 333 531 52	coil spring 1 set	04-	1	CABRIO M 480	9	999 084 445 09	hexagon nut M 10		2	
	504	marked gold-coloured silver				10	999 025 240 02	washer		2	
(6)	996 333 531 59	coil spring 1 set	04-	1	CABRIO M 480	-	900 378 138 09	mount shock absorber hexagon-head bolt M 12 X 1,5 X 70		2	
	504	marked gold-coloured silver				-	999 084 445 09	hexagon nut M 12 X 1,5		2	
(6)	996 333 531 20	coil spring 1 set	-01	1	M 249	-	900 380 008 09	hexagon nut M 10		6	
	504	marked gold-coloured red F >>992S6 81257						- - - E N D - - -			
(6)	996 333 531 45	coil spring 1 set	02-	1	COUPE M 249						
	504	marked gold-coloured red F 992S6 81258>>									
(6) U	996 333 531 52	coil spring 1 set	04-	1	CABRIO M 249						
	504	marked gold-coloured silver									
(6)	996 333 531 59	coil spring 1 set	04-	1	CABRIO M 249						
	504	marked gold-coloured silver									

Model	Year	MG	SG	Illustration	Restrictions	Update	12:12	25.11.2005	PORSCHE	PET	PORSCHE
996t	05	5	02	502-01		194					



Pos	Part Number	Name	Remarks	Qty	Model
		shock absorber coil spring			GT-2
-	K 996 333 055 93	spring strut complete		2	
-	U 996 333 803 30	spring strut lock. device		X	
1	K 996 333 051 93	shock absorber - bilstein - mount shock absorber		2	
-	900 378 138 09	hexagon-head bolt M 12 X 1,5 X 70		2	
-	999 084 445 09	hexagon nut M 12 X 1,5		2	
2	K 996 333 105 93	additional spring		2	
3	A 996 333 531 94	coil spring		1	
	504	1 set			
(3)	K 996 333 531 98	coil spring		1	
	504	1 set			
4	999 025 240 02	washer 12,1 X 25 X 3		2	
5	996 333 059 03	supporting mount		2	
-	K 996 333 551 90	rubber support see technical information GRUPPE 4 NR.6-1		2	
6	K 996 333 529 92	spring hanger		4	
7	996 333 107 00	washer		4	
8	999 084 445 09	hexagon nut M 12X 1,5		2	
9	900 380 008 09	hexagon nut M 10		6	
		- - - E N D - - -			

Model	Year	MG	SG	Illustration	Restrictions	Update	12:12	25.11.2005	PORSCHE	PET	PORSCHE
996t	05	6	01	601-00		194					



Pos	Part Number	Name	Remarks	Qty	Model
		wheels see technical information group 4 NR.Y/03			
(1)	996 362 136 04	disc wheel 8 J X 18 ET 50	/V	2	TURBO M 410
(1)	996 362 136 01	disc wheel 8 J X 18 ET 50	/V	2	TURBO M 415
(1)	996 362 136 02	disc wheel 8 J X 18 ET 50	/V 04-	2	TURBO M 416
(1)	996 362 136 32	disc wheel 8 J X 18 ET 50	/V 05-	2	TURBO-S M 092/M 418
(1)	996 362 136 51	disc wheel 8 J X 18 ET 50	/V 02-	2	TURBO XRC
(1)	996 362 136 31	disc wheel 8,5 J X 18 ET 40	/V -03	2	GT-2 M 415
(1) K	996 362 136 05	disc wheel 8,5 J X 18 ET 40	/V 04-	2	GT-2 M 416
(1)	996 362 142 03	disc wheel 11 J X 18 ET 45	/H -02	2	TURBO M 410
(1)	996 362 142 11	disc wheel 11 J X 18 ET 45	/H 03-	2	TURBO M 410
(1)	996 362 142 01	disc wheel 11 J X 18 ET 45	/H -02	2	TURBO M 415

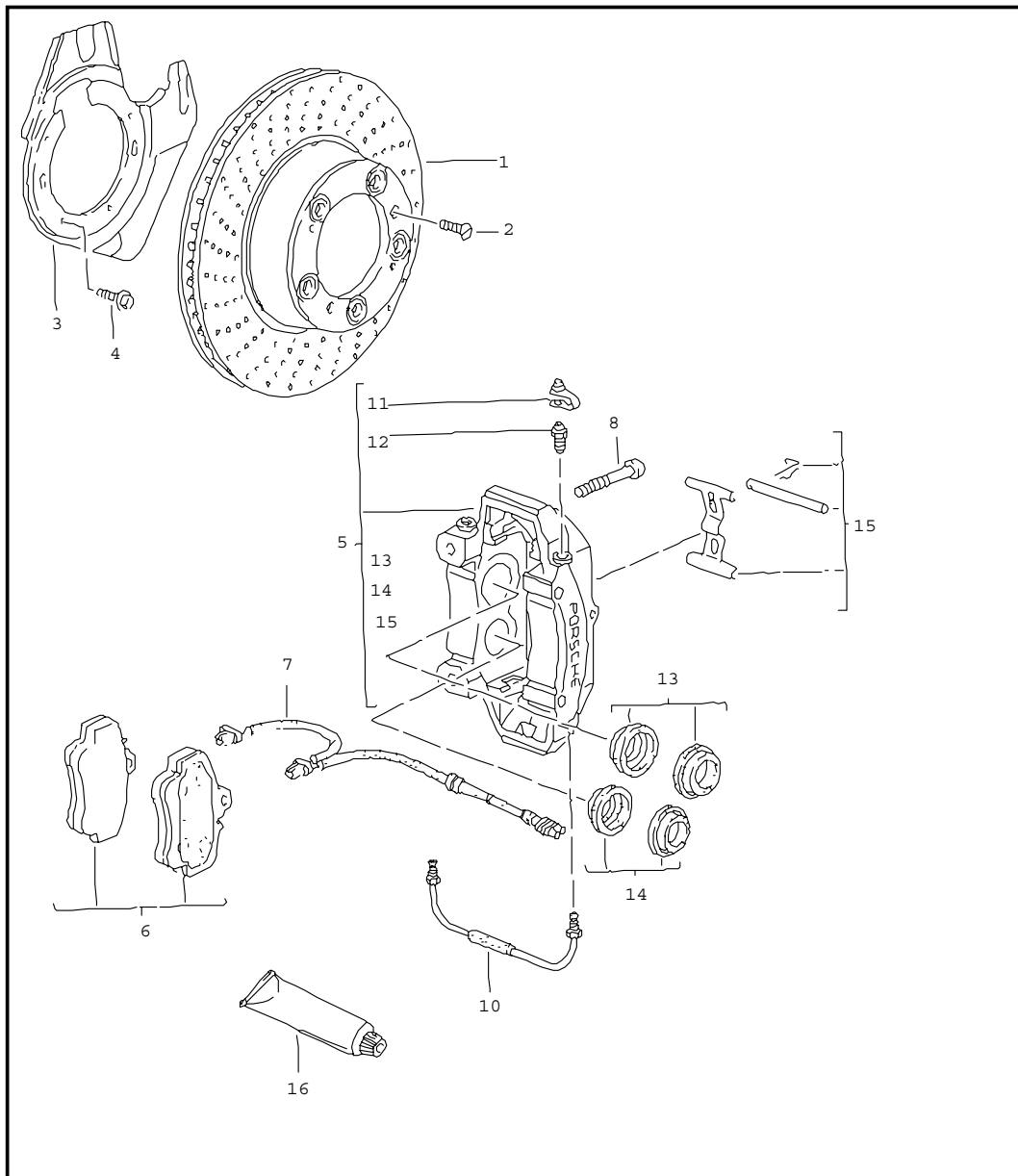
Model	Year	MG	SG	Illustration	Restrictions	Update	12:12	25.11.2005	PORSCHE	PET	PORSCHE
996t	05	6	01	601-00		194					

Pos	Part Number	Name	Remarks	Qty	Model	Pos	Part Number	Name	Remarks	Qty	Model
(1)	996 362 142 10	disc wheel 11 J X 18 ET 45	/H 03-	2	TURBO M 415	(2)	900 265 001 50	valve rubber		4	TURBO M 415
(1)	996 362 142 02	disc wheel 11 J X 18 ET 45	/H 04-	2	TURBO M 416	(2)	993 361 073 00	valve steel	02-	4	XRC
(1)	996 362 142 32	disc wheel 11 J X 18 ET 45	/H 05-	2	TURBO-S M 092/M 418	(2)	900 265 001 50	valve rubber use also: cap 993.361.163.90		4	GT-2 M 415
(1)	996 362 140 01	disc wheel for winter use 10 J X 18 ET 47	/H -02	2	TURBO M 415	3	901 361 410 50	balance stick-on weight 5 G.	-03	X	
(1)	996 362 140 02	disc wheel for winter use 10 J X 18 ET 47	/H 03-	2	TURBO M 415	(3)	1K0 601 178 C	balance stick-on weight 5 G.	04-	X	
(1)	996 362 142 51	disc wheel 11 J X 18 ET 63	/H 02-03	2	TURBO XRC	(3)	901 361 410 00	balance stick-on weight 10 G.	-03	X	
(1)	996 362 142 52	disc wheel 11 J X 18 ET 63	/H 04-	2	TURBO XRC	(3)	1K0 601 179 C	balance stick-on weight 10 G.	04-	X	
(1)	996 362 142 31	disc wheel 12 J X 18 ET 45	/H -03	2	GT-2 M 415	(3)	901 361 411 50	balance stick-on weight 15 G.	-03	X	
(1)K	996 362 144 00	disc wheel 12 J X 18 ET 45	/H 04-	2	GT-2 M 416	(3)	1K0 601 181 C	balance stick-on weight 15 G.	04-	X	
(1)	996 362 140 02	disc wheel for winter use 10 J X 18 ET 47	/H 03-	2	GT-2 M 415	(3)	901 361 411 00	balance stick-on weight 20 G.	-03	X	
(2)	993 361 073 00	valve steel		4	TURBO M 410 M 418	(3)	1K0 601 182 C	balance stick-on weight 20 G.	04-	X	
						(3)	901 361 412 50	balance stick-on weight 25 G.	-03	X	
						(3)	1K0 601 183 C	balance stick-on weight 25 G.	04-	X	
						(3)	901 361 412 00	balance stick-on weight 30 G.	-03	X	
						(3)	1K0 601 184 C	balance stick-on weight 30 G.	04-	X	
						(3)	901 361 413 50	balance stick-on weight 35 G.	-03	X	
						(3)	1K0 601 185 C	balance stick-on weight 35 G.	04-	X	
						(3)	901 361 413 00	balance stick-on weight 40 G.	-03	X	

Model	Year	MG	SG	Illustration	Restrictions	Update	12:12	25.11.2005	PORSCHE	PET	PORSCHE
996t	05	6	01	601-00		194					

Pos	Part Number	Name	Remarks	Qty	Model	Pos	Part Number	Name	Remarks	Qty	Model
(3)	1K0 601 186 C	balance stick-on weight 40 G.	04-	X		(6)	993 361 303 10	hub cap	03-	4	M 446
(3)	901 361 414 50	balance stick-on weight 45 G.	-03	X			9A1	silver emblem coloured concave			
(3)	1K0 601 187 C	balance stick-on weight 45 G.	04-	X		(6)	996 361 303 13	hub cap	05-	4	M 092
(3)	901 361 414 00	balance stick-on weight 50 G.	-03	X			M7Z	gt silver metallic emblem coloured			
(3)	1K0 601 188 C	balance stick-on weight 50 G.	04-	X		(6) A	993 361 303 11	hub cap	-02	4	GT-2
(3)	901 361 415 50	balance stick-on weight 55 G.	-03	X			61M	silver emblem black			
(3)	1K0 601 189 C	balance stick-on weight 55 G.	04-	X		(6)	993 361 303 11	hub cap	03	4	GT-2
(3)	901 361 415 00	balance stick-on weight 60 G.	-03	X			9A1	silver emblem black			
(3)	1K0 601 190 C	balance stick-on weight 60 G.	04-	X		(6)	996 361 303 93	hub cap	04-	4	GT-2
(4) A	996 361 057 01	wheel bolt anti-theft protection 1 set	-03	1			9A1	silver logo gt2			
(4)	996 361 057 02	wheel bolt anti-theft protection 1 set	04-	1		-	911 722 201 02	tyre pressure gauge		1	
(5) A	996 361 203 01	wheel bolt see technical information GRUPPE 4 NR.7/03	-03	16		-	996 652 053 00	compressor		1	
(5)	996 361 203 02	wheel bolt see technical information GRUPPE 4 NR.7/03	04-	16		7	996 362 050 00	emergency wheel	-03	1	
-	999 182 003 36	wheel nut	02-	10	XRN/TURBO	(7)	996 362 050 01	emergency wheel	04-	1	
6 A	996 361 305 00	hub cap	-02	4		(7) A	996 362 020 01	emergency wheel	-03	1	M 450
	9A1	silver logo turbo				(7)	996 362 020 02	emergency wheel order also: stickers see illustrations 0/01/05	04-	1	M 450
(6)	996 361 305 11	hub cap	03-	4		-	996 361 411 00	belt for emergency wheel		1	TURBO
	9A1	silver logo turbo				-	999 915 631 40	compressed air bottle with sealing compound		X	
								- - - E N D - - -			

Model	Year	MG	SG	Illustration	Restrictions	Update	12:12	25.11.2005	PORSCHE	PET	PORSCHE
996t	05	6	02	602-00		194					



Pos	Part Number	Name	Remarks	Qty	Model
		disc brake front axle			
		see technical information group 4 NR.5/03			
		brake disc only in pairs replace			
1	996 351 409 02	brake disc	/L	1	TURBO
(1)	996 351 410 02	brake disc	/R	1	TURBO
(1) >	996 351 031 02	brake disc	/L -04	1	TURBO M 450
(1)	996 351 031 03	brake disc	/L 05-	1	TURBO M 450
(1) >	996 351 032 02	brake disc	/R -04	1	TURBO M 450
(1)	996 351 032 03	brake disc	/R 05-	1	TURBO M 450
(1) >	996 351 031 92	brake disc	/L -04	1	GT-2
(1)	996 351 031 93	brake disc	/L 05-	1	GT-2
(1)	996 351 409 9H	brake disc	/L	1	GT-2 M 449
(1) >	996 351 032 92	brake disc	/R -04	1	GT-2
(1)	996 351 032 93	brake disc	/R 05-	1	GT-2
(1)	996 351 410 9H	brake disc	/R	1	GT-2 M 449
2	900 269 047 09	countersunk-head screw M 6 X 12		2	
3	996 351 805 00	protective plate	/L	1	TURBO
(3)	996 351 806 00	protective plate	/R	1	TURBO
(3)	996 351 801 30	protective plate	/L	1	GT-2
(3)	996 351 802 30	protective plate	/R	1	GT-2
4	999 217 116 09	hexagon-head bolt M 6 X 16		X	
5	996 351 429 10	fixed calliper without pad	/L	1	TURBO

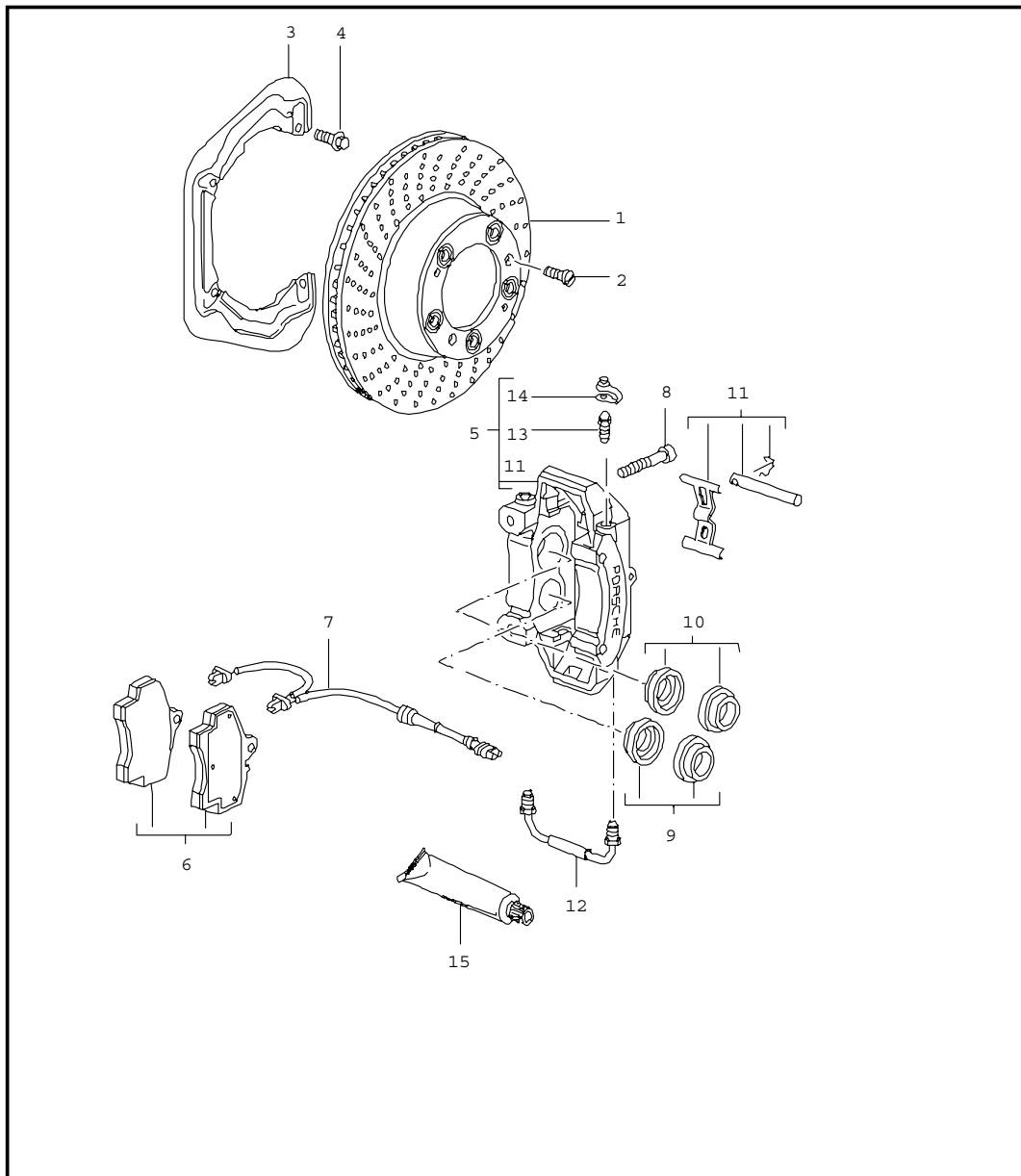
Model	Year	MG	SG	Illustration	Restrictions	Update	12:12	25.11.2005	PORSCHE	PET	PORSCHE
996t	05	6	02	602-00		194					

Pos	Part Number	Name	Remarks	Qty	Model	Pos	Part Number	Name	Remarks	Qty	Model
(5)	996 351 430 10	fixed calliper without pad	/R	1	TURBO	-	944 612 627 00	cable holder for warning contact		2	
(5)	996 351 431 30	fixed calliper without pad	/L	1	TURBO M 450	8	999 067 050 09	pan-head screw M 12 X 1,5 X 77		4	TURBO
(5)	996 351 432 30	fixed calliper without pad	/R	1	TURBO M 450	(8)	999 067 047 09	pan-head screw M 12 X 1,5 X 85		4	TURBO M 450
(5)	996 351 431 30	fixed calliper without pad	/L	1	GT-2	(8)	999 067 047 09	pan-head screw M 12 X 1,5 X 85		4	GT-2
(5)	996 351 431 30	fixed calliper without pad	/L	1	GT-2 M 449	10	996 351 961 11	connecting line	/L	1	TURBO
(5)	996 351 432 30	fixed calliper without pad	/R	1	GT-2	(10)	996 351 962 11	connecting line	/R	1	TURBO
(5)	996 351 432 30	fixed calliper without pad	/R	1	GT-2 M 449	(10)	996 351 961 30	connecting line		2	TURBO M 450
6 A	996 351 949 11	set of brake pads		1	TURBO	(10)	996 351 961 30	connecting line		2	GT-2
(6)	996 351 949 12	set of brake pads		1	TURBO	11	930 351 927 00	cap		2	
(6) A	996 351 947 00	set of brake pads		1	TURBO M 450	12	930 351 919 00	ventilation valve		2	
(6)	996 351 947 01	set of brake pads		1	TURBO M 450	13	928 351 917 00	repair kit protection caps 44 MM \$		2	TURBO
(6)	980 351 939 00	set of brake pads		1	GT-2	(13)	996 351 915 01	repair kit protection caps 38 MM \$		2	TURBO M 450
(6)	996 351 948 00	set of brake pads use also: mounting parts		1	GT-2 M 449	(13)	996 351 915 01	repair kit protection caps 38 MM \$		2	GT-2
-	996 351 089 00	damping plate		4	TURBO	-	996 351 915 00	repair kit protection caps 32 MM \$		2	TURBO M 450
-	996 352 086 01	damping plate		6	TURBO M 450	-	996 351 915 00	repair kit protection caps 32 MM \$		2	GT-2
-	996 352 086 01	damping plate		6	GT-2	-	996 351 915 00	repair kit protection caps 32 MM \$		2	GT-2
7	996 612 365 00	warning contact		2	TURBO	14	951 351 917 00	repair kit protection caps 36 MM \$		2	TURBO
(7)	996 612 347 00	warning contact		2	TURBO M 450	(14)	951 352 917 00	repair kit protection caps 28 MM \$		2	TURBO M 450
(7)	996 612 347 00	warning contact		2	GT-2	(14)	951 352 917 00	repair kit protection caps 28 MM \$		2	GT-2
(7)	996 612 347 00	warning contact		2	GT-2 M 449	(14)	951 352 917 00	repair kit protection caps 28 MM \$		2	GT-2
-	999 507 464 40	clip		2		(14)	951 352 917 00	repair kit protection caps 28 MM \$		2	GT-2

Model	Year	MG	SG	Illustration	Restrictions	Update	12:12	25.11.2005	PORSCHE	PET	PORSCHE
996t	05	6	02	602-00		194					

Pos	Part Number	Name	Remarks	Qty	Model	Pos	Part Number	Name	Remarks	Qty	Model
15	996 351 959 11	repair kit mounting parts		1	TURBO						
(15)	996 351 959 30	repair kit mounting parts		1	TURBO M 450						
(15)	996 351 959 30	repair kit mounting parts		1	GT-2						
(15)	996 351 959 30	repair kit mounting parts		1	GT-2 M 449						
16	000 043 117 00	brake cylinder paste 50 G		X							
(16)	000 043 020 00	OPTIMOLY 100 G		X							
		- - - E N D - - -									

Model	Year	MG	SG	Illustration	Restrictions	Update	12:12	25.11.2005	PORSCHE	PET	PORSCHE
996t	05	6	03	603-00		194					



Pos	Part Number	Name	Remarks	Qty	Model
		disc brake rear axle			
		see technical information group 4 NR.5/03			
		brake disc only in pairs replace			
1	996 352 405 00	brake disc	/L	1	TURBO
(1)	996 352 406 00	brake disc	/R	1	TURBO
(1)	996 352 405 00	brake disc	/L	1	GT-2 M 449
(1)	996 352 406 00	brake disc	/R	1	GT-2 M 449
(1) >	996 352 031 02	brake disc	/L -04	1	TURBO M 450
(1)	996 352 031 03	brake disc	/L 05-	1	TURBO M 450
(1) >	996 352 032 02	brake disc	/R -04	1	TURBO M 450
(1)	996 352 032 03	brake disc	/R 05-	1	TURBO M 450
(1) >	996 352 031 02	brake disc	/L -04	1	GT-2
(1)	996 352 031 03	brake disc	/L 05-	1	GT-2
(1) >	996 352 032 02	brake disc	/R -04	1	GT-2
(1)	996 352 032 03	brake disc	/R 05-	1	GT-2
2	900 269 047 09	countersunk-head screw M 6 X 12		2	
3 A	996 352 801 02	protective plate		2	TURBO
(3)	996 352 801 03	protective plate		2	TURBO
(3) A	996 352 801 02	protective plate		2	TURBO M 450
(3)	996 352 801 03	protective plate		2	TURBO M 450
(3)	996 352 801 30	protective plate	/L	2	GT-2
(3)	996 352 802 30	protective plate	/R	2	GT-2

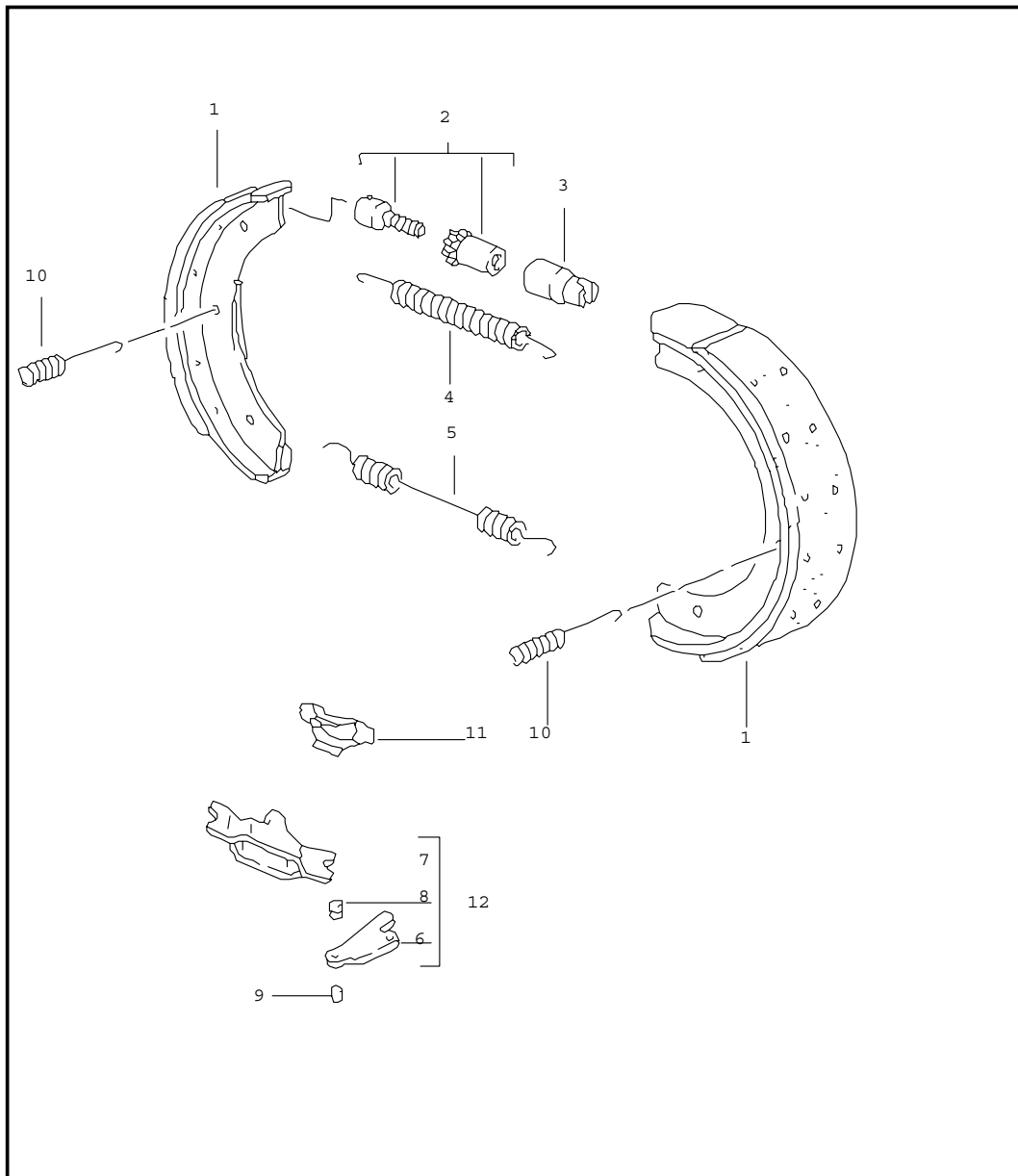
Model	Year	MG	SG	Illustration	Restrictions	Update	12:12	25.11.2005	PORSCHE	PET	PORSCHE
996t	05	6	03	603-00		194					

Pos	Part Number	Name	Remarks	Qty	Model	Pos	Part Number	Name	Remarks	Qty	Model
4	999 217 116 09	hexagon-head bolt M 6 X 16		X		-	996 352 086 01	damping plate 28 MM \$		8	TURBO M 450
5	996 352 425 60	fixed calliper without pad	/L	1	TURBO	-	996 352 086 01	damping plate 28 MM \$		8	GT-2
(5)	996 352 426 60	fixed calliper without pad	/R	1	TURBO	-	964 352 096 00	damping plate 30 MM		8	GT-2 M 449
(5)	996 352 423 30	fixed calliper without pad	/L	1	TURBO M 450	7	996 612 365 00	warning contact		2	TURBO
(5)	996 352 424 30	fixed calliper without pad	/R	1	TURBO M 450	(7)	996 612 348 00	warning contact		2	TURBO M 450
(5)	996 352 423 30	fixed calliper without pad	/L	1	GT-2	(7)	996 612 348 00	warning contact		2	GT-2
(5)	996 352 424 30	fixed calliper without pad	/R	1	GT-2	(7)	996 612 348 00	warning contact		2	GT-2 M 449
(5)	996 352 425 30	fixed calliper without pad	/L	1	GT-2 M 449	8	999 067 050 09	pan-head screw M 12 X 1,5 X 77		4	TURBO
(5)	996 352 426 30	fixed calliper without pad	/R	1	GT-2 M 449	(8)	999 067 047 09	pan-head screw M 12 X 1,5 X 85		4	TURBO M 450
(5)	996 352 426 30	fixed calliper without pad	/R	1	GT-2 M 449	(8)	999 067 047 09	pan-head screw M 12 X 1,5 X 85		4	GT-2
(6) A	996 352 949 02	set of brake pads	-04	1	TURBO	(8)	999 067 042 09	pan-head screw M 12 X 1,5 X 77		4	GT-2 M 449
(6)	996 352 949 03	set of brake pads	05-	1	TURBO	-	944 612 627 00	cable holder for warning contact		2	
(6) A	996 352 947 00	set of brake pads		1	TURBO M 450	9	951 352 917 01	repair kit protection caps 30 MM \$		X	
(6)	996 352 947 01	set of brake pads		1	TURBO M 450	10	951 352 917 00	repair kit protection caps 28 MM \$		X	
(6)	996 352 947 03	set of brake pads		1	GT-2	11	996 351 959 01	repair kit mounting parts		1	TURBO
(6) U	996 352 949 30	set of brake pads		1	GT-2 M 449	(11) A	996 352 959 30	repair kit mounting parts		1	TURBO M 450
(6)	996 352 948 90	set of brake pads comfort version		1	GT-2 M 449	(11)	996 351 959 01	repair kit mounting parts		1	TURBO M 450
(6) K	996 352 930 91	set of brake pads sport version use also: mounting parts		4	GT-2 M 449	(11) A	996 352 959 30	repair kit mounting parts		1	GT-2
-	964 352 096 01	damping plate 28 MM \$		4	TURBO	(11)	996 351 959 01	repair kit mounting parts		1	GT-2
-	964 352 096 00	damping plate 30 MM \$		4	TURBO	(11)	996 351 959 01	repair kit mounting parts		1	GT-2

Model	Year	MG	SG	Illustration	Restrictions	Update	12:12	25.11.2005	PORSCHE	PET	PORSCHE
996t	05	6	03	603-00		194					

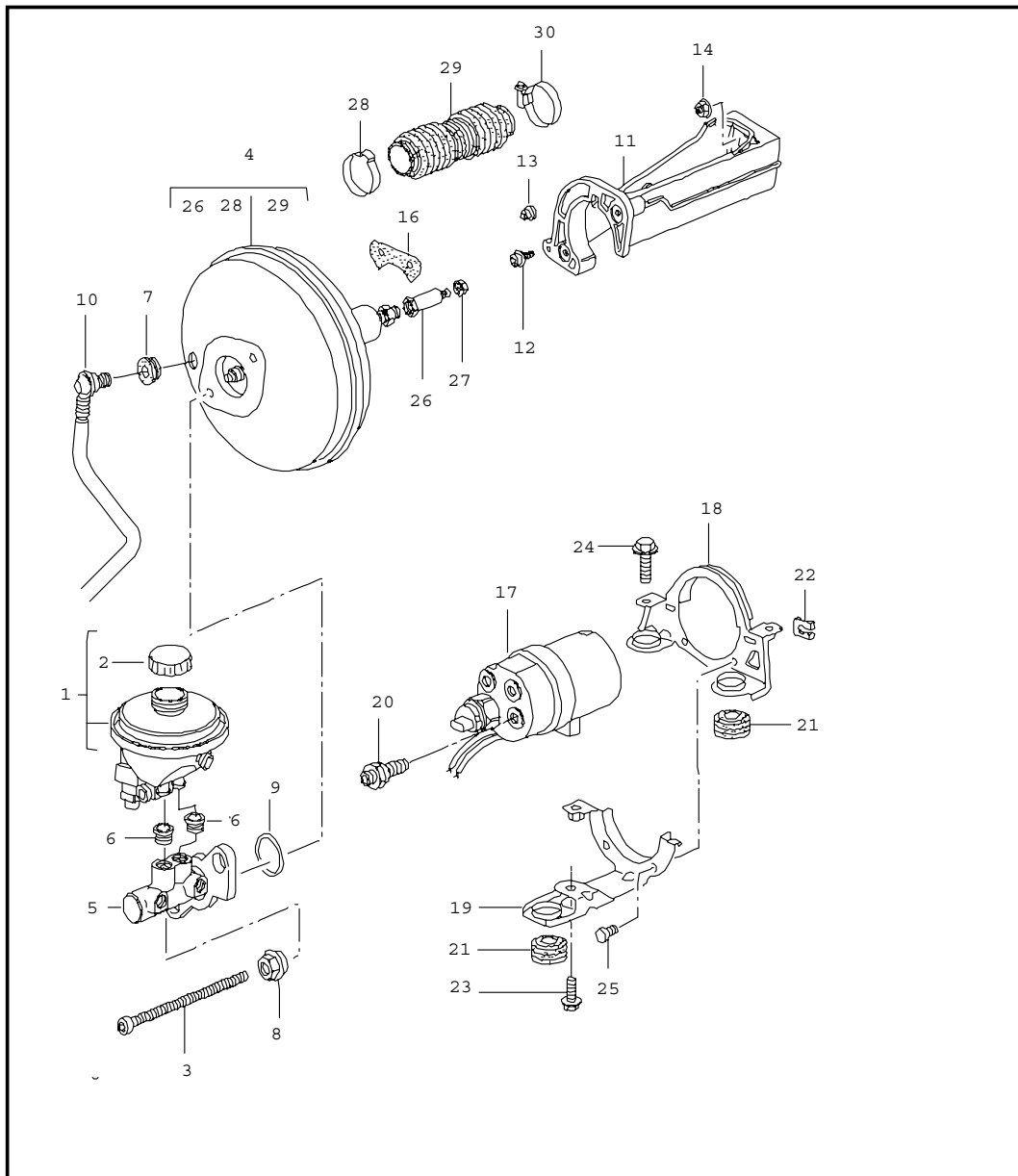
Pos	Part Number	Name	Remarks	Qty	Model	Pos	Part Number	Name	Remarks	Qty	Model
(11)	996 351 959 01	repair kit mounting parts		1	GT-2 M 449						
12	996 351 962 00	connecting line	/L	1	TURBO						
(12)	996 351 961 00	connecting line	/R	1	TURBO						
(12)	996 352 961 30	connecting line		2	TURBO M 450						
(12)	996 352 961 30	connecting line		2	GT-2						
(12)	996 351 962 00	connecting line	/L	1	GT-2 M 449						
(12)	996 351 961 00	connecting line	/R	1	GT-2 M 449						
13	930 351 919 00	ventilation valve		4							
14	930 351 927 00	cap		4							
15	000 043 117 00	brake cylinder paste 50 G		X							
(15)	000 043 020 00	OPTIMOLY 100 G		X							
		- - - E N D - - -									

Model	Year	MG	SG	Illustration	Restrictions	Update	12:13	25.11.2005	PORSCHE	PET	PORSCHE
996t	05	6	03	603-05		194					



Pos	Part Number	Name	Remarks	Qty	Model
		handbrake			
1	928 352 097 10	brake shoe	-02	4	
(1)	996 352 993 01	brake shoe 1 set	03-	1	
2	911 352 098 00	adjusting screw		2	
3	911 352 944 00	bush		2	
4	A 996 352 721 00	tension spring short		2	
(4)	997 352 721 00	tension spring short		2	
5	996 352 723 00	tension spring long		2	
6	928 352 441 01	actuating lever		2	
7	928 352 443 01	clip		2	
8	993 352 735 00	bolt		2	
9	928 352 447 00	bolt		2	
10	996 352 741 00	compression spring		4	
11	996 352 807 00	supporting plate		2	
12	993 352 073 00	push-button lock complete		2	
- - - E N D - - -					

Model	Year	MG	SG	Illustration	Restrictions	Update	12:13	25.11.2005	PORSCHE	PET	PORSCHE
996t	05	6	04	604-00		194					

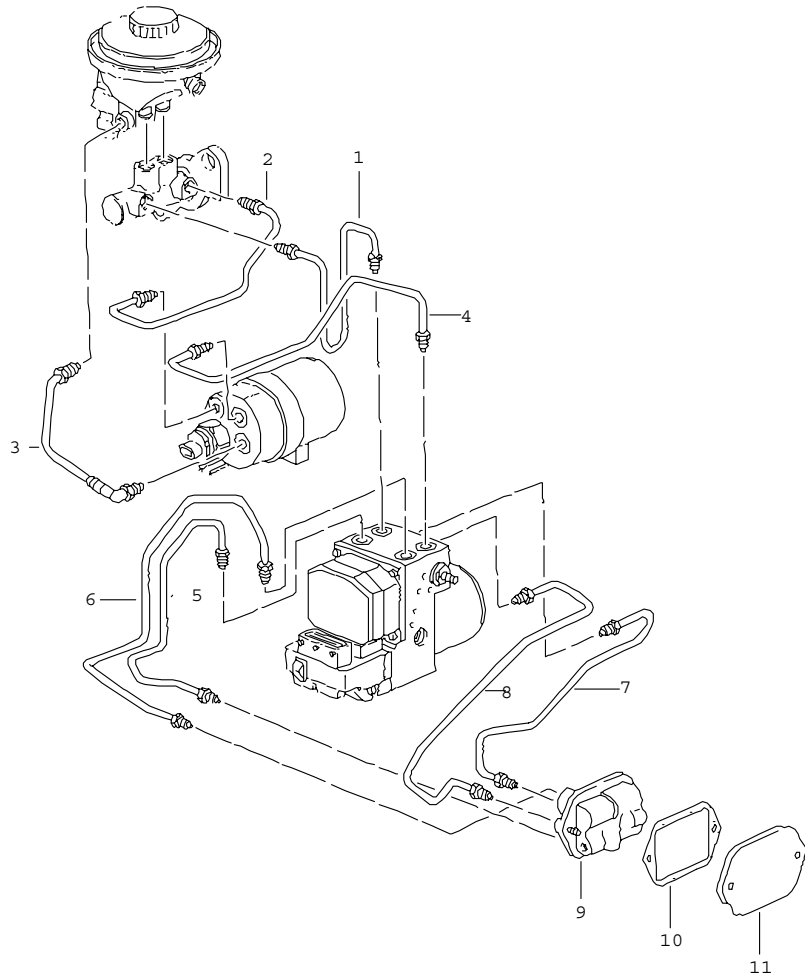


Pos	Part Number	Name	Remarks	Qty	Model
		brake master cylinder brake booster pre-charge pump			
1	996 355 013 47	container	-03	1	TURBO
(1)	996 355 013 49	container	04-	1	TURBO
(1)	996 355 013 00	container	-03	1	GT-2
(1)	996 355 013 01	container	04-	1	GT-2
2	996 355 119 01	screw cap		1	
-	996 355 125 01	contacts for container 996.355.013.47 996.355.013.49		1	TURBO
- A	996 355 125 00	contacts for container 996.355.013.00	-03	1	GT-2
-	996 355 125 02	contacts for container 996.355.013.00/01	04-	1	GT-2
3	999 073 124 09	pan-head screw M 8 X 154 X 80		2	
4	996 355 923 00	brake booster		1	TURBO
(4)	996 355 923 90	brake booster		1	GT-2
-	996 355 137 01	cap threaded joint brake booster		1	
5	996 355 910 50	brake master cylinder		1	
6	993 355 922 00	gasket		2	
7	999 702 182 40	gasket		1	
8	997 355 925 00	hexagon nut		2	
9	996 355 912 00	sealing ring		1	
(10)	996 355 577 42	vacuum line	/LL -03	1	TURBO
(10)	996 355 577 43	vacuum line	/LL 04-	1	TURBO
(10)	996 355 577 02	vacuum line	/LL	1	GT-2
(10)	996 355 578 42	vacuum line	/RL -03	1	TURBO

Model	Year	MG	SG	Illustration	Restrictions	Update	12:13	25.11.2005	PORSCHE	PET	PORSCHE
996t	05	6	04	604-00		194					

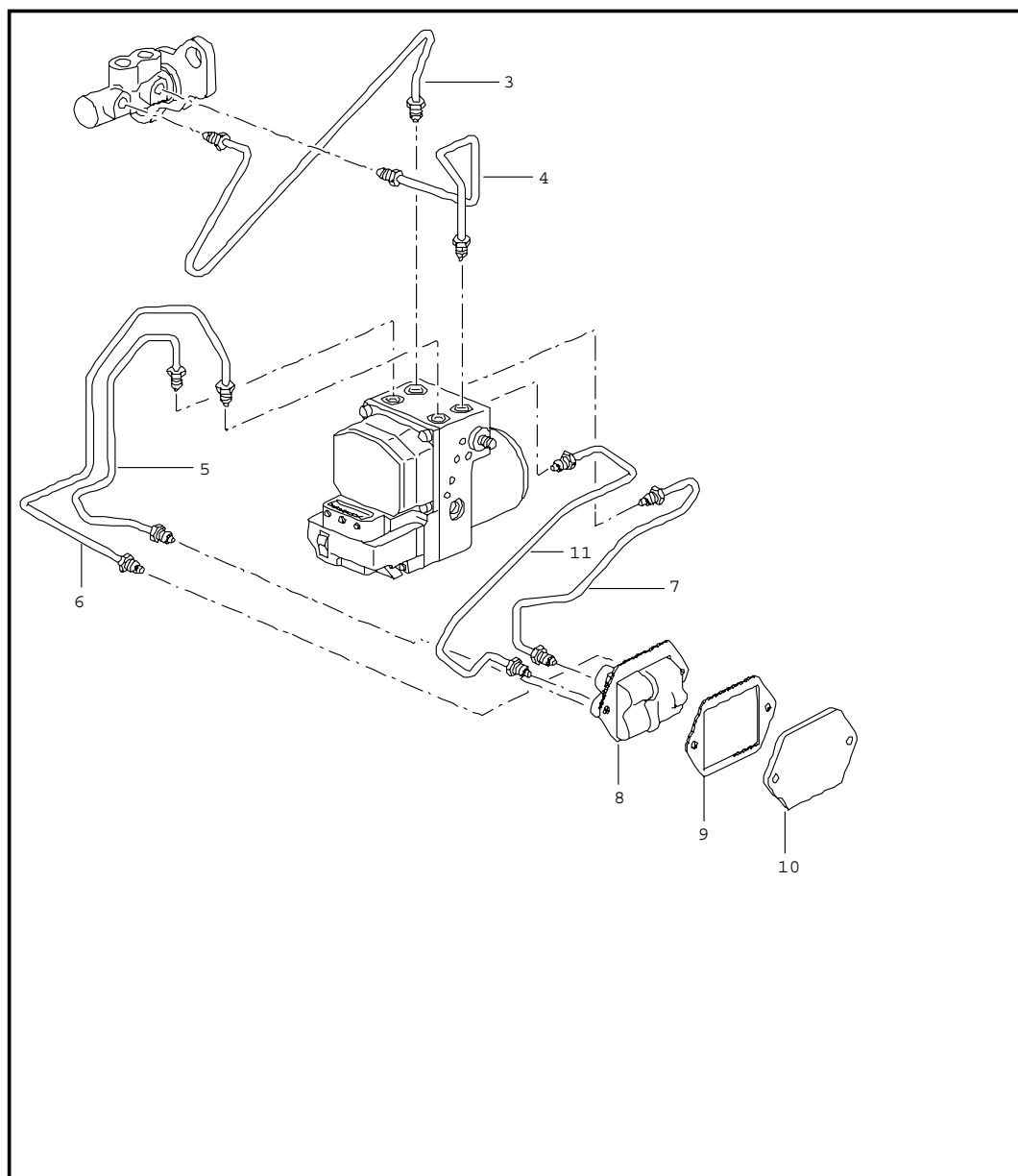
Pos	Part Number	Name	Remarks	Qty	Model	Pos	Part Number	Name	Remarks	Qty	Model
(10)	996 355 578 43	vacuum line	/RL 04-	1	TURBO	30	999 512 478 00	hose clamp		1	
(10)	996 355 578 42	vacuum line	/RL -03	1	GT-2			- - - E N D - - -			
(10)	996 355 578 43	vacuum line	/RL 04-	1	GT-2						
11	996 423 251 01	intermediate piece		1							
12	900 067 240 02	screw M 6 X 12 Z1		2							
13	999 703 448 50	plug	/R	1							
14	900 380 005 09	hexagon nut M 8		2							
15	996 355 221 00	grommet		1							
16	996 423 301 00	gasket		1							
-	996 355 901 01	gasket brake booster bulkhead		1							
(17)	996 355 975 41	pre-charge pump		1	TURBO						
-	999 512 390 00	hose clamp 60-80/13		1	TURBO						
18	996 355 273 40	support		1	TURBO						
19	996 355 170 40	support		1	TURBO						
20	996 355 635 40	adapter		1	TURBO						
21	964 356 635 00	rubber mounting		3	TURBO						
-	999 045 004 40	plastic nut		3	TURBO						
22	999 166 080 02	lock		3	TURBO						
(23)	900 378 036 09	hexagon-head bolt M 6 X 12		1	TURBO						
24	900 378 035 09	hexagon-head bolt M 6 X 16		2	TURBO						
25	996 355 559 00	bolt		2	TURBO						
26	996 355 927 01	connecting piece		1							
27	900 380 015 09	hexagon nut M 6		1							
28	999 512 672 00	clamp		1							
29	996 423 269 05	bellows		1							

Model	Year	MG	SG	Illustration	Restrictions	Update	12:13	25.11.2005	PORSCHE	PET	PORSCHE
996t	05	6	04	604-05		194					



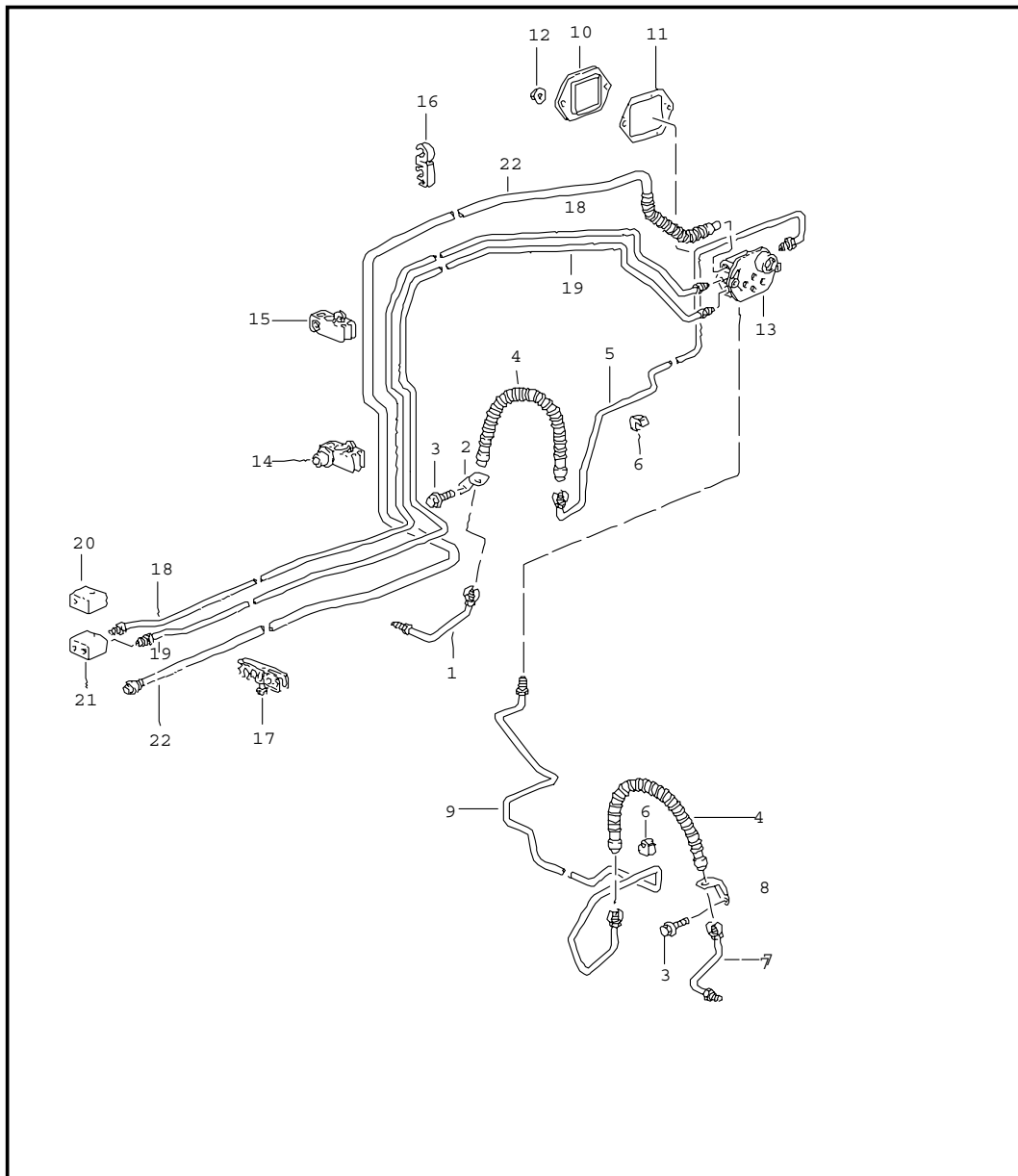
Pos	Part Number	Name	Remarks	Qty	Model
		brake lines body front section			TURBO
(1)	996 355 311 42	pressure line	/LL	1	
(1)	996 355 312 41	pressure line	/RL	1	
2	996 355 307 40	pressure line		1	
3	996 355 323 41	feed line		1	
(4)	996 355 333 41	pressure line	/LL	1	
(4)	996 355 330 41	pressure line	/RL	1	
(5) U	996 355 315 42	pressure line		1	
(5)	996 355 315 43	pressure line		1	
(6) U	996 355 327 42	pressure line		1	
(6)	996 355 327 43	pressure line		1	
(7)	996 355 316 41	pressure line		1	
(8)	996 355 326 40	pressure line		1	
9	996 355 650 27	intermediate piece		1	
10	996 355 752 00	gasket	-01	1	
(10)	996 355 752 01	gasket	02-	1	
11	996 355 753 00	reinforcement		1	
		- - - E N D - - -			

Model	Year	MG	SG	Illustration	Restrictions	Update	12:13	25.11.2005	PORSCHE	PET	PORSCHE
996t	05	6	04	604-06		194					



Pos	Part Number	Name	Remarks	Qty	Model
		brake lines body front section			GT-2
3	996 355 311 41	pressure line	/LL	1	
(3)	996 355 310 41	pressure line	/RL	1	
4	996 355 313 90	pressure line	/LL -03	1	
(4)	996 355 313 91	pressure line	/LL 04-	1	
(4)	996 355 328 90	pressure line	/RL -03	1	
(4)	996 355 328 91	pressure line	/RL 04-	1	
5	996 355 315 02	pressure line	-03	1	
(5)	996 355 315 43	pressure line	04-	1	
6	996 355 327 03	pressure line	-03	1	
(6)	996 355 327 43	pressure line	04-	1	
7	996 355 326 04	pressure line	-03	1	
(7)	996 355 316 41	pressure line	04-	1	
8	996 355 650 02	intermediate piece	-03	1	
(8)	996 355 650 27	intermediate piece	04-	1	
9	996 355 752 00	gasket	-01	1	
(9)	996 355 752 01	gasket	02-	1	
10	996 355 753 00	reinforcement		1	
11	996 355 326 40	pressure line		1	
		- - - E N D - - -			

Model	Year	MG	SG	Illustration	Restrictions	Update	12:14	25.11.2005	PORSCHE	PET	PORSCHE
996t	05	6	04	604-10		194					

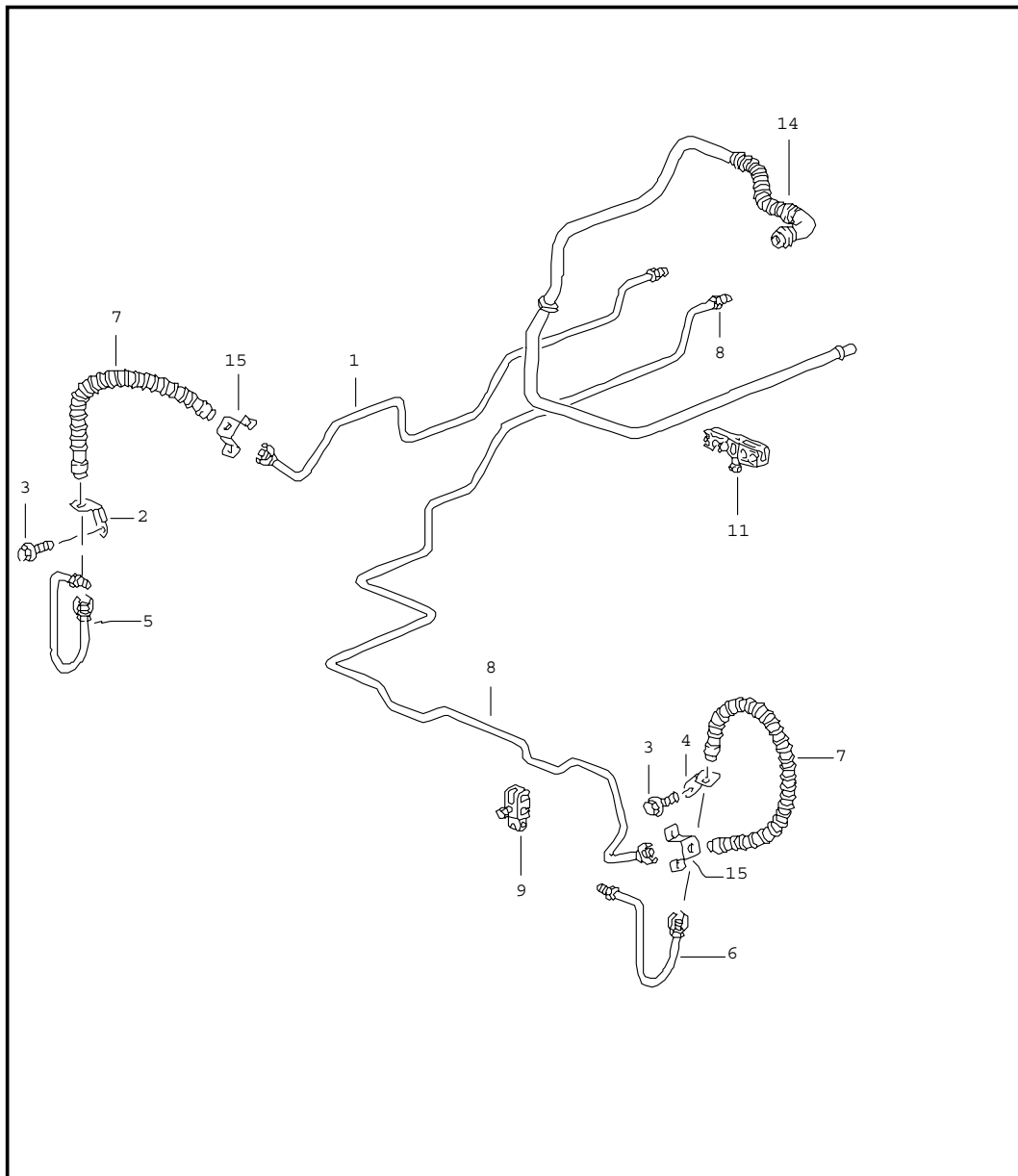


Pos	Part Number	Name	Remarks	Qty	Model
		brake lines front axle underbody vacuum line			
1	996 355 587 02	brake line	/L	1	TURBO
(1)	996 355 587 03	brake line	/L	1	TURBO M 450
(1)	996 355 581 9B	brake line	/L	1	GT-2
2	996 355 507 05	support	/L	1	TURBO
(2)	996 355 501 06	support	/L	1	GT-2
3	900 067 117 09	screw M 6 X 16		2	
4	996 355 139 01	brake hose		2	
5	996 355 175 28	brake line	/L	1	TURBO
(5)	996 355 175 08	brake line	/L	1	GT-2
6	999 591 930 40	cable holder		X	
7	996 355 588 02	brake line	/R	1	TURBO
(7)	996 355 588 03	brake line	/R	1	TURBO M 450
(7)	996 355 584 9B	brake line	/R	1	GT-2
8	996 355 508 05	support	/R	1	TURBO
(8)	996 355 502 06	support	/R	1	GT-2
9	996 355 176 32	brake line	/R	1	TURBO
(9)	996 355 176 90	brake line	/R	1	GT-2
10	996 355 753 00	reinforcement		1	
11	996 355 752 00	gasket	-01	1	
(11)	996 355 752 01	gasket	02-	1	
12	900 380 015 09	hexagon nut M 6		3	
13	996 355 650 27	intermediate piece		1	TURBO
(13)	996 355 650 02	intermediate piece		1	GT-2
14	996 355 545 00	support		3	
15	996 355 549 00	support		1	

Model	Year	MG	SG	Illustration	Restrictions	Update	12:14	25.11.2005	PORSCHE	PET	PORSCHE
996t	05	6	04	604-10		194					

Pos	Part Number	Name	Remarks	Qty	Model	Pos	Part Number	Name	Remarks	Qty	Model
16	996 355 547 01	support		2							
17	996 355 543 00	support		1							
18	996 355 177 07	brake line	-02	1							
(18)	996 355 177 08	brake line	03-	1							
19	996 355 179 07	brake line	-02	1	TURBO						
(19)	996 355 179 08	brake line	03-	1	TURBO						
(19)	996 355 179 08	brake line	04-	1	GT-2						
21	996 355 760 29	connecting piece	-02	1	TURBO						
(21)	996 355 760 31	connecting piece	03-	1	TURBO						
(21)	996 355 660 04	connecting piece	-02	1	GT-2						
(21)	996 355 660 06	connecting piece	03-	1	GT-2						
22	996 355 571 07	vacuum line		1							
-	999 230 535 40	lock connecting piece vacuum line		1							
		- - - E N D - - -									

Model	Year	MG	SG	Illustration	Restrictions	Update	12:14	25.11.2005	PORSCHE	PET	PORSCHE
996t	05	6	04	604-15		194					

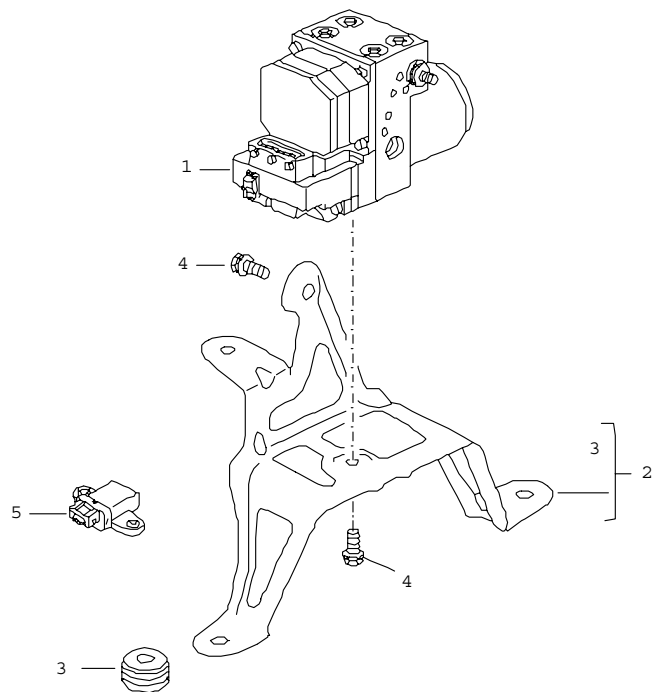


Pos	Part Number	Name	Remarks	Qty	Model
		brake line underbody rear axle vacuum line			
1	996 355 189 06	brake line	/L -02	1	
(1)	996 355 189 07	brake line F >>994S6 80654 F >>994S6 70658 F >>994S6 95107	/L 03-	1	
(1)	997 355 189 00	brake line F 994S6 80655>> F 994S6 70659>> F 994S6 95108>>	/R	1	
2	996 355 503 00	support	/L /L	1	TURBO
				1	GT-2
				1	M 449
(2)	996 355 503 10	support	/L	1	TURBO
				1	M 450
(2)	996 355 503 10	support	/L	1	GT-2
3	900 067 117 09	screw M 6 X 16		2	
4	996 355 504 00	support	/R /R	1	TURBO
				1	GT-2
				1	M 449
(4)	996 355 504 10	support	/R	1	TURBO
				1	M 450
(4)	996 355 504 10	support	/R	1	GT-2
5	996 355 585 00	brake line	/L /L	1	TURBO
				1	GT-2
				1	M 449
(5)	996 355 585 10	brake line	/L	1	TURBO
				1	M 450
(5)	996 355 585 10	brake line	/L	1	GT-2
6	996 355 586 00	brake line	/R /R	1	TURBO
				1	GT-2
				1	M 449
(6)	996 355 586 10	brake line	/R	1	TURBO
				1	M 450
(6)	996 355 586 10	brake line	/R	1	GT-2
7	996 355 139 00	brake hose		2	

Model	Year	MG	SG	Illustration	Restrictions	Update	12:14	25.11.2005	PORSCHE	PET	PORSCHE
996t	05	6	04	604-15		194					

Pos	Part Number	Name	Remarks	Qty	Model	Pos	Part Number	Name	Remarks	Qty	Model
8	996 355 190 51	brake line	-01	1							
(8)	996 355 190 52	brake line	02	1							
(8)	996 355 190 53	brake line F >>994S6 80654 F >>994S6 70658 F >>994S6 95107	03-	1							
(8)	997 355 190 01	brake line F 994S6 80655>> F 994S6 70659>> F 994S6 95108>>	/R	1							
9	996 347 543 00	support		3							
11	996 355 543 00	support		1							
14	996 355 575 51	vacuum line F >>994S6 80654 F >>994S6 70658 F >>994S6 95107		1							
(14)	997 355 575 01	vacuum line F 994S6 80655>> F 994S6 70659>> F 994S6 95108>>		1							
-	999 507 495 40	support		1							
15	996 501 815 02	support		2							
	GRV	prime coated									
		- - - E N D - - -									

Model	Year	MG	SG	Illustration	Restrictions	Update	12:14	25.11.2005	PORSCHE	PET	PORSCHE
996t	05	6	05	605-00		194					

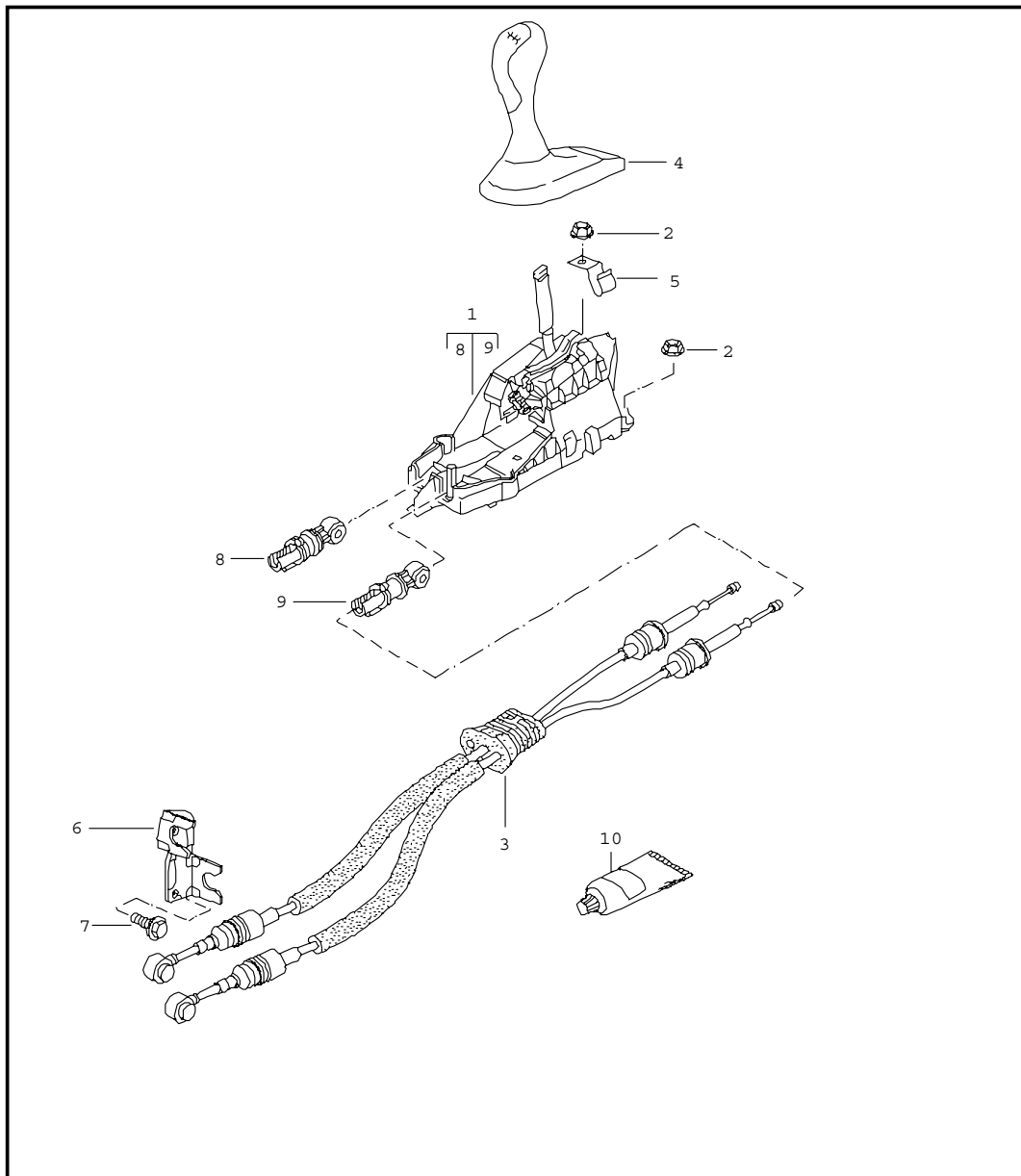


Pos	Part Number	Name	Remarks	Qty	Model
		hydraulic unit anti-lock brake system control			
1	A 996 355 955 51	hydraulic unit 5.7 see technical manual group 0 NR.45-5		1	TURBO
(1)	A 996 355 955 57	hydraulic unit 5.7 see technical manual group 0 NR.45-5		1	TURBO
(1)	A 996 355 955 58	hydraulic unit 5.7 see technical manual group 0 NR.45-5		1	TURBO
(1)	996 355 955 59	hydraulic unit 5.7 see technical manual group 0 NR.45-5		1	TURBO
(1)	996 355 955 30	hydraulic unit 5.3	-03	1	GT-2
(1)	996 355 955 93	hydraulic unit 5.7	04-	1	GT-2
2	996 355 033 41	support with rubber mounting		1	TURBO
(2)	996 355 033 02	support complete	-03	1	GT-2
(2)	996 355 033 41	support with rubber mounting	04-	1	GT-2
3	964 356 635 00	rubber mounting		2	TURBO
(3)	964 356 635 00	rubber mounting	04-	2	GT-2
4	900 378 036 09	hexagon-head bolt M 6 X 12		2	
(5)	996 606 147 00	sensor see technical manual group 0 NR.45-5		1	TURBO

Model	Year	MG	SG	Illustration	Restrictions	Update	12:14	25.11.2005	PORSCHE	PET	PORSCHE
996t	05	6	05	605-00		194					

Pos	Part Number	Name	Remarks	Qty	Model	Pos	Part Number	Name	Remarks	Qty	Model
(5)	996 606 145 00	sensor see technical manual group 0 NR.45-5		1	TURBO						
-	996 622 901 00	adapter cable for sensor 996.606.145.00 see technical manual group 4 NR.45-7		1	TURBO						
-	996 610 224 00	cable guide sensor see technical manual group 0 NR.45-5		1	TURBO						
-	996 606 143 00	holder sensor see technical manual group 0 NR.45-5		1	TURBO						
		- - - E N D - - -									

Model	Year	MG	SG	Illustration	Restrictions	Update	12:14	25.11.2005	PORSCHE	PET	PORSCHE
996t	05	7	01	701-00		194					



Pos	Part Number	Name	Remarks	Qty	Model
		transmission control manual transmission			
1	986 424 010 02	gearshift bracket	-02	1	
(1)	986 424 010 03	gearshift bracket	03	1	
(1)	996 424 010 05	gearshift bracket	04-	1	TURBO
(1)	986 424 010 03	gearshift bracket		1	GT-2
(1)	A 996 424 983 00	gearshift bracket	04	1	TURBO/XCZ
(1)	997 424 983 00	gearshift bracket	05-	1	TURBO/XCZ
2	999 084 629 09	hexagon nut M 6		4	
3	A 996 424 041 10	cable	-01	1	TURBO
(3)	A 996 424 041 12	cable	02-	1	TURBO
(3)	996 424 041 14	cable	04-	1	TURBO
(3)	A 996 424 041 88	cable	-03	1	GT-2
(3)	A 996 424 041 89	cable	04-	1	GT-2
(3)	996 424 041 90	cable		1	
-	986 424 411 00	retaining clip mount cable for support		2	
4	996 424 075 05	gearshift knob	-02	1	TURBO
	FEN	cinnamon brown silver			
	VRE	dark grey/natural silver			
	VRF	brown/natural silver			
	FBH	black silver			
	EVZ	black silver			
	FBX	graphite grey silver			
	ENJ	graphite grey silver			

Model	Year	MG	SG	Illustration	Restrictions	Update	12:14	25.11.2005	PORSCHE	PET	PORSCHE
996t	05	7	01	701-00		194					

Pos	Part Number	Name	Remarks	Qty	Model	Pos	Part Number	Name	Remarks	Qty	Model
	FBJ	savanna silver				(4)	996 424 075 90	gearshift knob	-02	1	GT-2
	ENK	savanna silver					EVZ	black			
	FBK	metropole blue silver					VRE	dark grey/natural	02		
	ENL	metropole blue silver					VRF	brown/natural	02		
	FBL	nephrite green silver				(4)	996 424 075 90	gearshift knob	03-	1	GT-2
	ENN	nephrite green silver					FGT	black sport silver			
	FBM	boxster red silver					VSW	dark grey/natural sport silver			
	ENO	boxster red silver					VSX	brown/natural sport silver			
4	996 424 075 05	gearshift knob	03-	1	TURBO	(4)	996 424 981 18	gearshift knob	-02	1	GT-2/X47
	FGT	black sport silver					VRJ	black			
	FGU	graphite grey sport silver					D11	dark grey/natural	02-		
	FGV	savanna sport silver					T11	brown/natural	02-		
	FGW	metropole blue sport silver				(4)	996 424 981 31	gearshift knob	03-	1	GT-2/X47
	FGX	nephrite green sport silver	03				VRJ	black			
	FGY	boxster red sport silver					D11	dark grey/natural	02-		
	FGZ	cinnamon brown sport silver					T11	brown/natural	02-		
	VSW	dark grey/natural sport silver				(4)	996 424 981 07	gearshift knob	/LL -02	1	X97
	VSX	brown/natural sport silver					VRJ	black			
(4)	996 424 075 20	gearshift knob	05-	1	TURBO-S		C50	graphite grey			
	VTA	dark grey/natural			M 971		S30	savanna			
	VTM	brown/natural					G10	metropole blue			
							M30	boxster red			
							P11	cinnamon brown			
						(4)	996 424 981 08	gearshift knob	/RL -02	1	X97
							D11	dark grey/natural			
							T11	brown/natural			
							VRJ	black			
							C50	graphite grey			

Model	Year	MG	SG	Illustration	Restrictions	Update	12:14	25.11.2005	PORSCHE	PET	PORSCHE
996t	05	7	01	701-00		194					

Pos	Part Number	Name	Remarks	Qty	Model	Pos	Part Number	Name	Remarks	Qty	Model
	S30	savanna					M30	boxster red			
	G10	metropole blue					P11	cinnamon brown			
	M30	boxster red					D11	dark grey/natural			
	P11	cinnamon brown					T11	brown/natural			
	D11	dark grey/natural				(4)	996 424 981 12	gearshift knob	/RL -02	1	XE8
	T11	brown/natural					VRJ	black			
(4)	996 424 981 09	gearshift knob	/LL -02	1	X72		C50	graphite grey			
	VRJ	black					S30	savanna			
	C50	graphite grey					G10	metropole blue			
	S30	savanna					M30	boxster red			
	G10	metropole blue					P11	cinnamon brown			
	M30	boxster red					D11	dark grey/natural			
	P11	cinnamon brown					T11	brown/natural			
	D11	dark grey/natural				(4)	996 424 981 13	gearshift knob	/LL -02	1	X47
	T11	brown/natural					VRJ	black			
(4)	996 424 981 10	gearshift knob	/RL -02	1	X72		C50	graphite grey			
	VRJ	black					S30	savanna			
	C50	graphite grey					G10	metropole blue			
	S30	savanna					M30	boxster red			
	G10	metropole blue					P11	cinnamon brown			
	M30	boxster red					D11	dark grey/natural			
	P11	cinnamon brown					T11	brown/natural			
	D11	dark grey/natural				(4)	996 424 981 14	gearshift knob	/RL -02	1	X47
	T11	brown/natural					VRJ	black			
(4)	996 424 981 11	gearshift knob	/LL -02	1	XE8		C50	graphite grey			
	VRJ	black					S30	savanna			
	C50	graphite grey					G10	metropole blue			
	S30	savanna					M30	boxster red			
	G10	metropole blue					P11	cinnamon brown			

Model	Year	MG	SG	Illustration	Restrictions	Update	12:14	25.11.2005	PORSCHE	PET	PORSCHE
996t	05	7	01	701-00		194					

Pos	Part Number	Name	Remarks	Qty	Model	Pos	Part Number	Name	Remarks	Qty	Model
		D11 dark grey/natural						P11 cinnamon brown			
		T11 brown/natural						D11 dark grey/natural			
(4)	996 424 981 23	gearshift knob	/LL 03-	1	X97			T11 brown/natural			
		VRJ black				(4)	996 424 981 27	gearshift knob	/RL 03-	1	X72
		C50 graphite grey						VRJ black			
		S30 savanna						C50 graphite grey			
		G10 metropole blue						S30 savanna			
		J30 nephrite green	03					G10 metropole blue			
		M30 boxster red						J30 nephrite green	03		
		P11 cinnamon brown						M30 boxster red			
		D11 dark grey/natural						P11 cinnamon brown			
		T11 brown/natural						D11 dark grey/natural			
(4)	996 424 981 24	gearshift knob	/RL 03-	1	X97			T11 brown/natural			
		VRJ black				(4)	996 424 981 29	gearshift knob	/LL 03-	1	XE8
		C50 graphite grey						VRJ black			
		S30 savanna						C50 graphite grey			
		G10 metropole blue						S30 savanna			
		J30 nephrite green	03					G10 metropole blue			
		M30 boxster red						J30 nephrite green	03		
		P11 cinnamon brown						M30 boxster red			
		D11 dark grey/natural						P11 cinnamon brown			
		T11 brown/natural						D11 dark grey/natural			
(4)	996 424 981 26	gearshift knob	/LL 03-	1	X72			T11 brown/natural			
		VRJ black				(4)	996 424 981 30	gearshift knob	/RL 03-	1	XE8
		C50 graphite grey						VRJ black			
		S30 savanna						C50 graphite grey			
		G10 metropole blue						S30 savanna			
		J30 nephrite green	03					G10 metropole blue			
		M30 boxster red						J30 nephrite green	03		

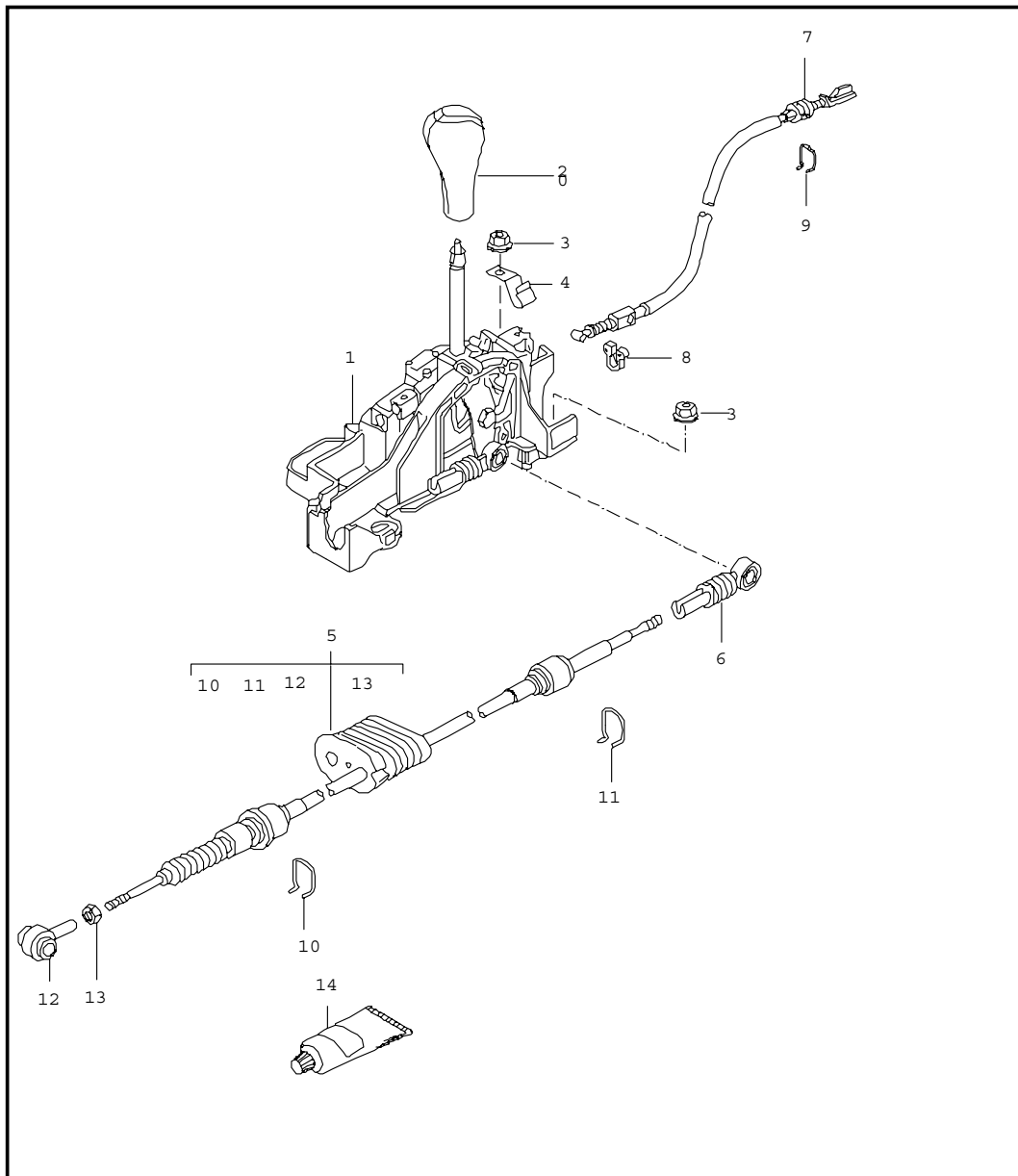
Model	Year	MG	SG	Illustration	Restrictions	Update	12:14	25.11.2005	PORSCHE	PET	PORSCHE
996t	05	7	01	701-00		194					

Pos	Part Number	Name	Remarks	Qty	Model	Pos	Part Number	Name	Remarks	Qty	Model
	M30	boxster red					T11	brown/natural			
	P11	cinnamon brown				(4)	996 424 981 36	gearshift knob	/LL 05	1	X72/092
	D11	dark grey/natural					D11	dark grey/natural			
	T11	brown/natural					T11	brown/natural			
(4)	996 424 981 32	gearshift knob	/LL 03-	1	X47	(4)	996 424 981 37	gearshift knob	/RL 05	1	X72/092
	VRJ	black					D11	dark grey/natural			
	C50	graphite grey					T11	brown/natural			
	S30	savanna				(4)	996 424 981 38	gearshift knob	/LL 05	1	XE8/092
	G10	metropole blue					D11	dark grey/natural			
	J30	nephrite green	03				T11	brown/natural			
	M30	boxster red				(4)	996 424 981 39	gearshift knob	/RL 05	1	XE8/092
	P11	cinnamon brown					D11	dark grey/natural			
	D11	dark grey/natural					T11	brown/natural			
(4)	996 424 981 33	gearshift knob	/RL 03-	1	X47	(4)	996 424 981 40	gearshift knob	/LL 05	1	X47/092
	VRJ	black					D11	dark grey/natural			
	C50	graphite grey				(4)	996 424 981 41	gearshift knob	/RL 05	1	X47/092
	S30	savanna					D11	dark grey/natural			
	G10	metropole blue					T11	brown/natural			
	J30	nephrite green	03			5	986 424 211 00	support		1	
	M30	boxster red				6	996 424 165 02	support		1	
	P11	cinnamon brown				7	999 073 209 09	hexagon-head bolt M 10 X 20		2	
	D11	dark grey/natural				-	996 424 445 00	clip for fastening part		X	
(4)	996 424 981 34	gearshift knob	/LL 05	1	X97/092	8	996 424 145 01	fastening part for cable adjustable		1	
	D11	dark grey/natural									
	T11	brown/natural									
(4)	996 424 981 35	gearshift knob	/RL 05	1	X97/092	9	996 424 147 00	fastening part for cable adjustable		1	
	D11	dark grey/natural									

Model	Year	MG	SG	Illustration	Restrictions	Update	12:14	25.11.2005	PORSCHE	PET	PORSCHE
996t	05	7	01	701-00		194					

Pos	Part Number	Name	Remarks	Qty	Model	Pos	Part Number	Name	Remarks	Qty	Model
10	000 043 205 93	grease 1 tube 100 g - - - E N D - - -		X							

Model	Year	MG	SG	Illustration	Restrictions	Update	12:14	25.11.2005	PORSCHE	PET	PORSCHE
996t	05	7	01	701-01		194					



Pos	Part Number	Name	Remarks	Qty	Model
		selector lever TIPTRONIC			TURBO
1	996 426 011 51	selector lever with housing		1	
-	996 613 212 10	switch selector lever		1	
-	996 624 223 00	solenoid selector lever		1	
2	996 426 069 09	gearshift knob	01	1	
	FEO	cinnamon brown silver			
	VRG	dark grey/natural silver			
	VRH	brown/natural silver			
	FBO	black silver			
	ERB	black silver			
	FBP	graphite grey silver			
	EOP	graphite grey silver			
	FBR	metropole blue silver			
	EOR	metropole blue silver			
	FBS	nephrite green silver			
	EOT	nephrite green silver			
	FBT	boxster red silver			
	EPC	boxster red silver			
	FBQ	savanna silver			

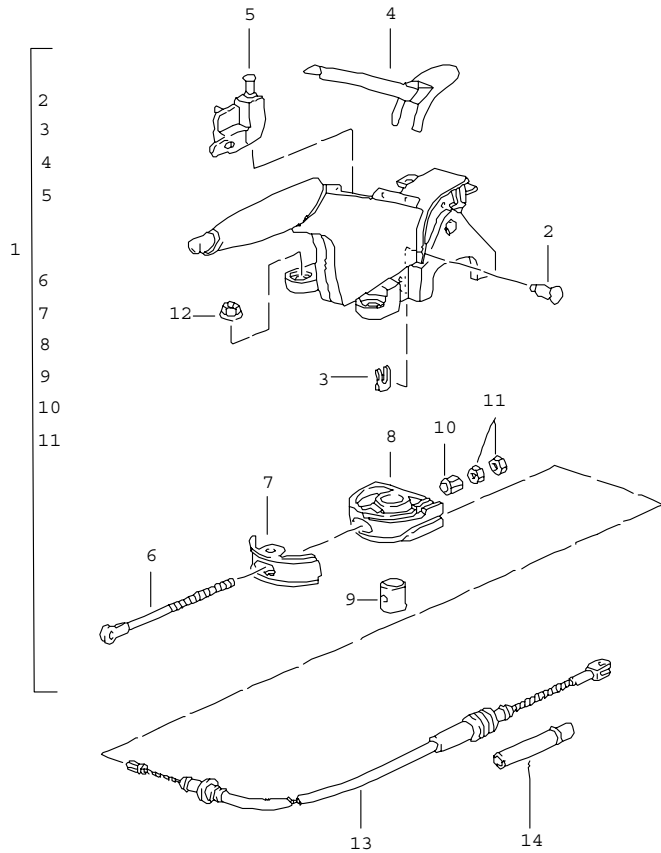
Model	Year	MG	SG	Illustration	Restrictions	Update	12:14	25.11.2005	PORSCHE	PET	PORSCHE
996t	05	7	01	701-01		194					

Pos	Part Number	Name	Remarks	Qty	Model	Pos	Part Number	Name	Remarks	Qty	Model
	EOQ	savanna silver					VSV	brown/natural sport silver			
2	996 426 069 10	gearshift knob	02	1		(2)	996 426 069 10	gearshift knob	05-	1	TURBO-S
	FEO	cinnamon brown silver					FKO	dark grey/natural			M 971
	VRG	dark grey/natural silver				(2)	996 426 981 06	gearshift knob	-02	1	X46
	VRH	brown/natural silver					VRJ	black			
	ERB	black silver					C50	graphite grey			
	EOP	graphite grey silver					S30	savanna			
	EOR	metropole blue silver					G10	metropole blue			
	EOT	nephrite green silver					J30	nephrite green			
	EPC	boxster red silver					M30	boxster red			
	EOQ	savanna silver					P11	cinnamon brown			
(2)	996 426 069 10	gearshift knob	03-	1		(2)	996 426 981 11	gearshift knob	03-	1	X46
	FGJ	black sport silver					VRJ	black			
	FGK	graphite grey sport silver					C50	graphite grey			
	FGL	savanna sport silver					S30	savanna			
	FGM	metropole blue sport silver					G10	metropole blue			
	FGN	nephrite green sport silver	03				J30	nephrite green	03		
	FGO	boxster red sport silver				(2)	996 426 981 07	gearshift knob	-02	1	X65
	FGP	cinnamon brown sport silver				(2)	996 426 981 08	gearshift knob	-02	1	X66
	VSU	dark grey/natural sport silver				(2)	996 426 981 09	gearshift knob	-02	1	X48
						(2)	996 426 981 12	gearshift knob	03-	1	X65
						(2)	996 426 981 13	gearshift knob	03-	1	X66

Model	Year	MG	SG	Illustration	Restrictions	Update	12:14	25.11.2005	PORSCHE	PET	PORSCHE
996t	05	7	01	701-01		194					

Pos	Part Number	Name	Remarks	Qty	Model	Pos	Part Number	Name	Remarks	Qty	Model
(2)	996 426 981 14	gearshift knob	03-	1	X48	10	996 426 335 00	securing clip		1	
-	A 000 043 204 49	repair kit comprising: adjusting lever 996.426.275.02 V01 compression spring 996.426.277.02 roller 321.713.137	01	1		11	996 426 335 01	securing clip		1	
-	000 043 204 57	repair kit comprising: adjusting lever 996.426.275.05 V01 compression spring 996.426.277.02 roller 321.713.137	-02	1		12	996 426 380 51	connecting piece		1	
-	000 043 204 69	repair kit comprising: adjusting lever 996.426.275.05 V03 compression spring 996.426.277.02 roller 321.713.137	03-	1		13	900 076 010 02	hexagon nut M 6		1	
-	000 043 204 50	repair kit comprising: adjusting lever compression spring 996.426.277.02 roller 321.713.137		1	X46/X48 X65/X66	14	000 043 205 93	grease 1 tube 100 g		X	
3	999 084 629 09	hexagon nut M 6		4				- - - E N D - - -			
4	999 507 465 02	cable holder		1							
5	996 426 033 50	cable	-02	1							
(5) A	996 426 033 51	cable	03	1							
(5)	996 426 033 52	cable	04-	1							
6	996 426 035 00	fastening part for cable adjustable		1							
7	996 426 073 03	cable		1							
8	996 426 181 00	clip		1							
9	996 426 711 00	securing clip		1							

Model	Year	MG	SG	Illustration	Restrictions	Update	12:15	25.11.2005	PORSCHE	PET	PORSCHE
996t	05	7	01	701-05		194					



Pos	Part Number	Name	Remarks	Qty	Model
		handbrake actuator			
1	996 424 031 06	parking-brake lever complete	-02	1	TURBO
	FEM	cinnamon brown			
	VRC	dark grey/natural			
	VRD	brown/natural			
	EUK	black			
	EUL	graphite grey			
	EUM	savanna			
	EUN	metropole blue			
	EUP	nephrite green			
	EUQ	boxster red			
(1)	996 424 031 07	parking-brake lever complete	03-	1	TURBO
	FFR	black sport silver			
	FFS	graphite grey sport silver			
	FFU	metropole blue sport silver			
	FFT	savanna sport silver			
	FFV	nephrite green sport silver	03		
	FFW	boxster red sport silver			
	FFX	cinnamon brown sport silver			
	VSR	dark grey/natural sport silver			
	VST	brown/natural sport silver			
(1)	996 424 031 09	parking-brake lever	05-	1	TURBO-S
	VTP	dark grey/natural			M 971

Model	Year	MG	SG	Illustration	Restrictions	Update	12:15	25.11.2005	PORSCHE	PET	PORSCHE
996t	05	7	01	701-05		194					

Pos	Part Number	Name	Remarks	Qty	Model	Pos	Part Number	Name	Remarks	Qty	Model
		VTN brown/natural						VRJ black			
(1)	996 424 031 30	parking-brake lever	/LL -02	1	GT-2		D11 dark grey/natural		02		
	EUK	black					T11 brown/natural		02		
	VRC	dark grey/natural	02			(1)	996 424 980 51	parking-brake lever	/RL 03-	1	GT-2/X58
	VRD	brown/natural	02				VRJ	black			
(1)	996 424 031 31	parking-brake lever	/LL 03-	1	GT-2		D11	dark grey/natural			
	FFR	black sport silver				(1)	996 424 980 22	parking-brake lever	/LL 01	1	X98
	VSR	dark grey/natural sport silver					VRJ	black			
	VST	brown/natural sport silver					C50	graphite grey			
(1)	996 424 032 30	parking-brake lever	/RL -02	1	GT-2		S30	savanna			
	EUK	black					G10	metropole blue			
	VRC	dark grey/natural	02				J30	nephrite green			
	VRD	brown/natural	02				M30	boxster red			
(1)	996 424 032 31	parking-brake lever	/RL 03-	1	GT-2		P11	cinnamon brown			
	FFR	black sport silver					D11	dark grey/natural			
	VSR	dark grey/natural sport silver				(1)	996 424 980 23	parking-brake lever	/RL 01	1	X98
	VST	brown/natural sport silver					VRJ	black			
(1)	996 424 980 24	parking-brake lever	/LL -02	1	GT-2/X58		C50	graphite grey			
	VRJ	black					S30	savanna			
	D11	dark grey/natural	02				G10	metropole blue			
	T11	brown/natural	02				J30	nephrite green			
(1)	996 424 980 50	parking-brake lever	/LL 03-	1	GT-2/X58		M30	boxster red			
	VRJ	black					P11	cinnamon brown			
	D11	dark grey/natural					D11	dark grey/natural			
	T11	brown/natural				(1)	996 424 980 24	parking-brake lever	/LL 01	1	X58
(1)	996 424 980 25	parking-brake lever	/RL -02	1	GT-2/X58		VRJ	black			

Model	Year	MG	SG	Illustration	Restrictions	Update	12:15	25.11.2005	PORSCHE	PET	PORSCHE
996t	05	7	01	701-05		194					

Pos	Part Number	Name	Remarks	Qty	Model	Pos	Part Number	Name	Remarks	Qty	Model
	C50	graphite grey					VRJ	black			
	S30	savanna					C50	graphite grey			
	G10	metropole blue					S30	savanna			
	J30	nephrite green					G10	metropole blue			
	M30	boxster red					J30	nephrite green			
	P11	cinnamon brown					M30	boxster red			
	D11	dark grey/natural					P11	cinnamon brown			
	T11	brown/natural					D11	dark grey/natural			
(1)	996 424 980 25	parking-brake lever	/RL 01	1	X58		T11	brown/natural			
	VRJ	black				(1)	996 424 980 28	parking-brake lever	/LL 01	1	XE9
	C50	graphite grey					VRJ	black			
	S30	savanna					C50	graphite grey			
	G10	metropole blue					S30	savanna			
	J30	nephrite green					G10	metropole blue			
	M30	boxster red					J30	nephrite green			
	P11	cinnamon brown					M30	boxster red			
	D11	dark grey/natural					P11	cinnamon brown			
	T11	brown/natural					D11	dark grey/natural			
(1)	996 424 980 26	parking-brake lever	/LL 01	1	X91		T11	brown/natural			
	VRJ	black				(1)	996 424 980 29	parking-brake lever	/RL 01	1	XE9
	C50	graphite grey					VRJ	black			
	S30	savanna					C50	graphite grey			
	G10	metropole blue					S30	savanna			
	J30	nephrite green					G10	metropole blue			
	M30	boxster red					J30	nephrite green			
	P11	cinnamon brown					M30	boxster red			
	D11	dark grey/natural					P11	cinnamon brown			
	T11	brown/natural					D11	dark grey/natural			
(1)	996 424 980 27	parking-brake lever	/RL 01	1	X91		T11	brown/natural			

Model	Year	MG	SG	Illustration	Restrictions	Update	12:15	25.11.2005	PORSCHE	PET	PORSCHE
996t	05	7	01	701-05		194					

Pos	Part Number	Name	Remarks	Qty	Model	Pos	Part Number	Name	Remarks	Qty	Model
(1)	996 424 980 30	parking-brake lever complete	/LL 02	1	X98		D11	dark grey/natural			
	VRJ	black					T11	brown/natural			
	C50	graphite grey				(1)	996 424 980 33	parking-brake lever complete	/RL 02	1	X58
	S30	savanna					VRJ	black			
	G10	metropole blue					C50	graphite grey			
	J30	nephrite green					S30	savanna			
	M30	boxster red					G10	metropole blue			
	P11	cinnamon brown					J30	nephrite green			
	D11	dark grey/natural					M30	boxster red			
	T11	brown/natural					P11	cinnamon brown			
(1)	996 424 980 31	parking-brake lever complete	/RL 02	1	X98		D11	dark grey/natural			
	VRJ	black					T11	brown/natural			
	C50	graphite grey				(1)	996 424 980 34	parking-brake lever complete	/LL 02	1	X91
	S30	savanna					VRJ	black			
	G10	metropole blue					C50	graphite grey			
	J30	nephrite green					S30	savanna			
	M30	boxster red					G10	metropole blue			
	P11	cinnamon brown					J30	nephrite green			
	D11	dark grey/natural					M30	boxster red			
	T11	brown/natural					P11	cinnamon brown			
(1)	996 424 980 32	parking-brake lever complete	/LL 02	1	X58		D11	dark grey/natural			
	VRJ	black					T11	brown/natural			
	C50	graphite grey				(1)	996 424 980 35	parking-brake lever complete	/RL 02	1	X91
	S30	savanna					VRJ	black			
	G10	metropole blue					C50	graphite grey			
	J30	nephrite green					S30	savanna			
	M30	boxster red					G10	metropole blue			
	P11	cinnamon brown					J30	nephrite green			

Model	Year	MG	SG	Illustration	Restrictions	Update	12:15	25.11.2005	PORSCHE	PET	PORSCHE
996t	05	7	01	701-05		194					

Pos	Part Number	Name	Remarks	Qty	Model	Pos	Part Number	Name	Remarks	Qty	Model
	M30	boxster red					G10	metropole blue			
	P11	cinnamon brown					J30	nephrite green	03		
	D11	dark grey/natural					M30	boxster red			
	T11	brown/natural					P11	cinnamon brown			
(1)	996 424 980 36	parking-brake lever complete	/LL 02	1	XE9		D11	dark grey/natural			
	VRJ	black					T11	brown/natural			
	C50	graphite grey				(1)	996 424 980 41	parking-brake lever complete	/RL 03-	1	X98
	S30	savanna					VRJ	black			
	G10	metropole blue					C50	graphite grey			
	J30	nephrite green					S30	savanna			
	M30	boxster red					G10	metropole blue			
	P11	cinnamon brown					J30	nephrite green	03		
	D11	dark grey/natural					M30	boxster red			
	T11	brown/natural					P11	cinnamon brown			
(1)	996 424 980 37	parking-brake lever complete	/RL 02	1	XE9		D11	dark grey/natural			
	VRJ	black					T11	brown/natural			
	C50	graphite grey				(1)	996 424 980 52	parking-brake lever complete	/LL 03-	1	X58
	S30	savanna					VRJ	black			
	G10	metropole blue					C50	graphite grey			
	J30	nephrite green					S30	savanna			
	M30	boxster red					G10	metropole blue			
	P11	cinnamon brown					J30	nephrite green	03		
	D11	dark grey/natural					M30	boxster red			
	T11	brown/natural					P11	cinnamon brown			
(1)	996 424 980 40	parking-brake lever complete	/LL 03-	1	X98		D11	dark grey/natural			
	VRJ	black					T11	brown/natural			
	C50	graphite grey				(1)	996 424 980 53	parking-brake lever complete	/RL 03-	1	X58
	S30	savanna					VRJ	black			

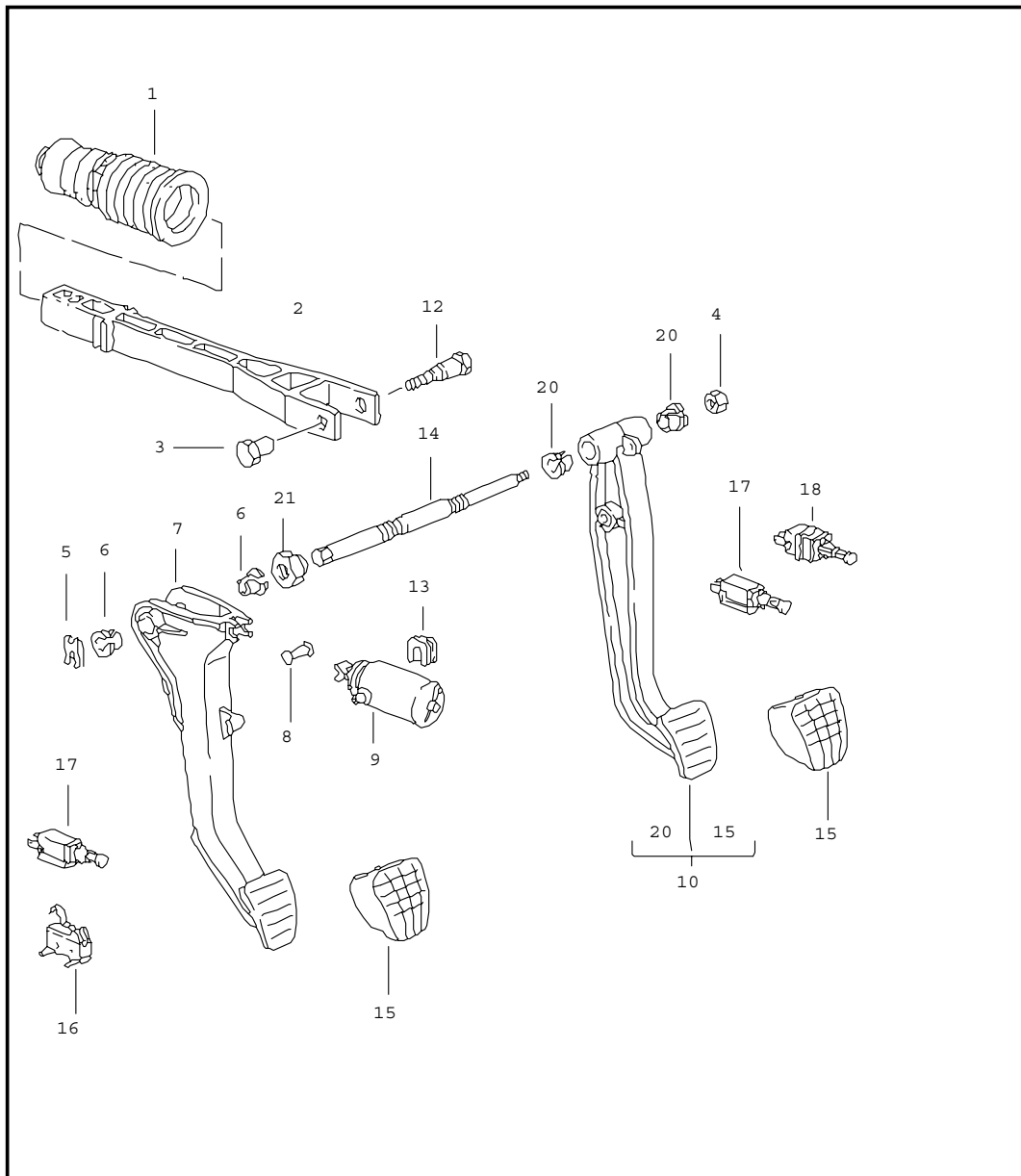
Model	Year	MG	SG	Illustration	Restrictions	Update	12:15	25.11.2005	PORSCHE	PET	PORSCHE
996t	05	7	01	701-05		194					

Pos	Part Number	Name	Remarks	Qty	Model	Pos	Part Number	Name	Remarks	Qty	Model
	C50	graphite grey				(1)	996 424 980 48	parking-brake lever complete	/LL 03-	1	XE9
	S30	savanna					VRJ	black			
	G10	metropole blue					C50	graphite grey			
	J30	nephrite green	03				S30	savanna			
	M30	boxster red					G10	metropole blue			
	P11	cinnamon brown					J30	nephrite green	03		
	D11	dark grey/natural					M30	boxster red			
	T11	brown/natural					P11	cinnamon brown			
(1)	996 424 980 44	parking-brake lever complete	/LL 03-	1	X91		D11	dark grey/natural			
	VRJ	black					T11	brown/natural			
	C50	graphite grey				(1)	996 424 980 49	parking-brake lever complete	/RL 03-	1	XE9
	S30	savanna					VRJ	black			
	G10	metropole blue					C50	graphite grey			
	J30	nephrite green	03				S30	savanna			
	M30	boxster red					G10	metropole blue			
	P11	cinnamon brown					J30	nephrite green	03		
	D11	dark grey/natural					M30	boxster red			
	T11	brown/natural					P11	cinnamon brown			
(1)	996 424 980 45	parking-brake lever complete	/RL 03-	1	X91		D11	dark grey/natural			
	VRJ	black					T11	brown/natural			
	C50	graphite grey				2	996 424 569 01	bolt		1	
	S30	savanna				3	999 166 079 02	lock SLB 6		1	
	G10	metropole blue				4	996 424 155 01	cover		1	TURBO
	J30	nephrite green	03				A03	black			
	M30	boxster red					C53	graphite grey			
	P11	cinnamon brown					S33	savanna			
	D11	dark grey/natural					G13	metropole blue			
	T11	brown/natural					J33	nephrite green	-03		

Model	Year	MG	SG	Illustration	Restrictions	Update	12:15	25.11.2005	PORSCHE	PET	PORSCHE
996t	05	7	01	701-05		194					

Pos	Part Number	Name	Remarks	Qty	Model	Pos	Part Number	Name	Remarks	Qty	Model
	M33	boxster red									
	P13	cinnamon brown									
(4)	996 424 155 30	cover		1	GT-2						
	A03	black									
5	996 613 112 01	switch		1							
6	996 424 567 01	pull rod		1							
7	964 424 570 00	securing clip		1							
8	964 424 568 00	compensating piece		1							
9	996 424 574 00	nipple		1							
10	996 424 572 00	bush		1							
11	900 076 025 02	hexagon nut M 8		2							
12	900 380 005 09	hexagon nut M 8		2							
13	996 424 141 10	parking-brake cable		2							
14	996 424 721 02	guide tube		2							
		- - - E N D - - -									

Model	Year	MG	SG	Illustration	Restrictions	Update	12:15	25.11.2005	PORSCHE	PET	PORSCHE
996t	05	7	02	702-00		194					

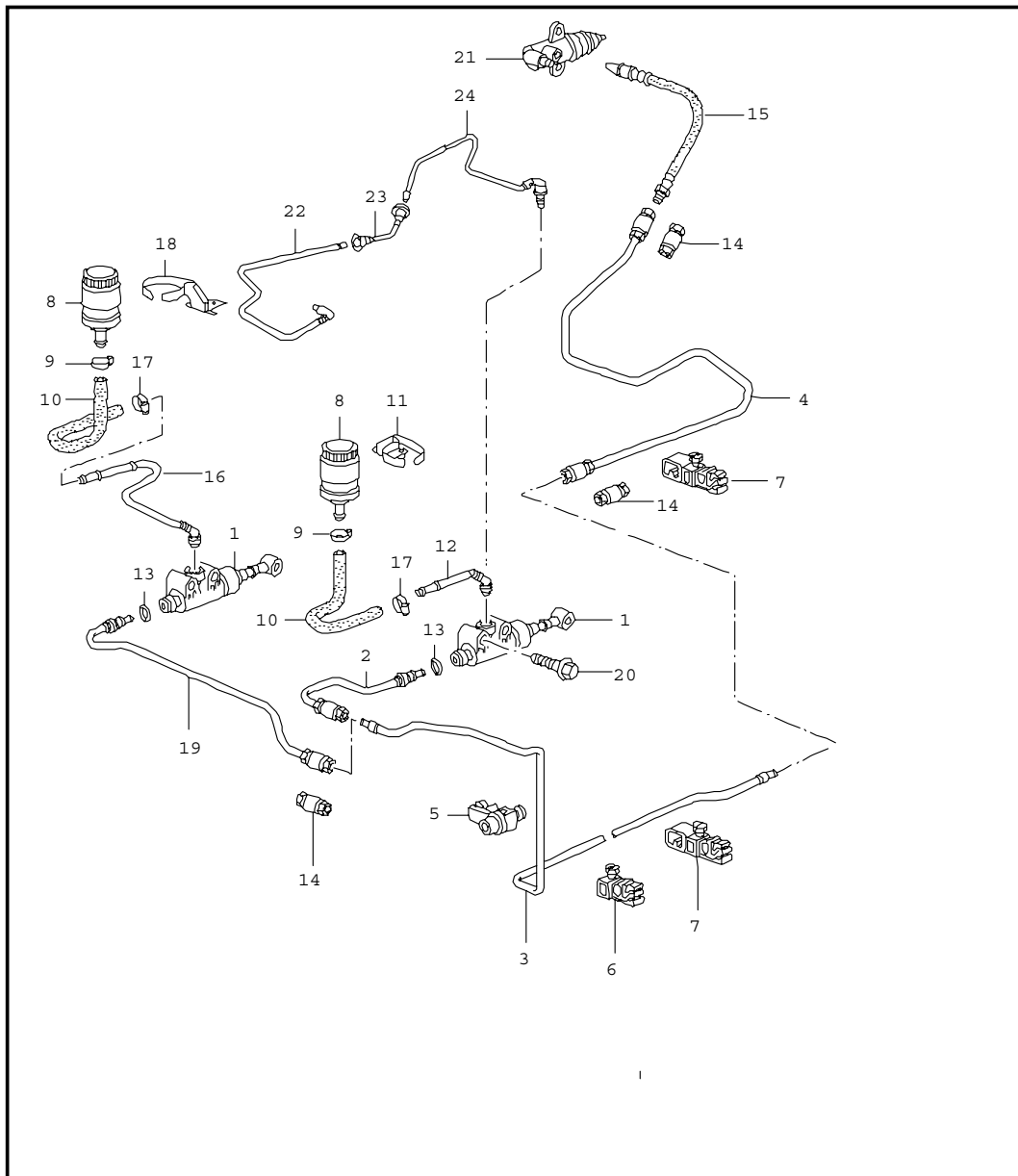


Pos	Part Number	Name	Remarks	Qty	Model
-	000 043 203 37	pedals			
		grease OPTITEMP LG2		X	
1	...	bellows see illustrations 6/04/00		1	
2	996 423 165 05	push rod		1	
-	999 166 075 02	lock push rod brake booster		1	
3	996 423 307 00	bush		1	
4	900 380 005 09	hexagon nut M 8		3 2	
5	999 507 601 01	lock		1	M 480
6	996 423 399 01	bush		2	M 480
7	996 423 139 10	clutch pedal		1	M 480
8	996 423 315 06	bolt		1	M 480
-	999 166 022 02	lock for bolt		1	M 480
9 A	996 423 081 51	clutch power spring		1	TURBO M 480
(9)	996 423 081 50	clutch power spring	-03	1	TURBO M 480
(9)	996 423 081 52	clutch power spring	04	1	TURBO M 480
(9) A	996 423 081 53	clutch power spring	05-	1	TURBO M 480
(9) N	996 423 081 54	clutch power spring	05-	1	TURBO M 480
(9) A	996 423 081 13	clutch power spring		1	GT-2
(9) A	996 423 881 06	clutch power spring	-03	1	GT-2
(9)	996 423 081 16	clutch power spring	04	1	GT-2
(9)	996 423 081 19	clutch power spring	05	1	GT-2
-	996 423 571 00	bracket for clutch power spring		1	M 480

Model	Year	MG	SG	Illustration	Restrictions	Update	12:15	25.11.2005	PORSCHE	PET	PORSCHE
996t	05	7	02	702-00		194					

Pos	Part Number	Name	Remarks	Qty	Model	Pos	Part Number	Name	Remarks	Qty	Model
10	996 423 091 03	brake pedal	/LL	1	M 480	21	A 996 423 275 04	screw plug	-03	1	
(10)	996 423 092 03	brake pedal	/RL	1	M 480	(21)	996 423 275 05	screw plug	04-	1	
(10)	996 423 093 03	brake pedal	/LL	1	TURBO M 249			- - - E N D - - -			
(10)	996 423 094 03	brake pedal	/RL	1	TURBO M 249						
-	999 522 033 00	return spring brake pedal		2							
-	996 423 101 00	protective tube return spring brake pedal		1							
-	996 423 243 00	bush return spring brake pedal		1							
12	996 423 308 00	bolt		1							
13	996 423 581 00	bush		2							
14	996 423 281 05	axle	/LL	1	M 480						
(14)	996 423 284 05	axle	/RL	1	M 480						
(14)	996 423 283 05	axle	/LL	1	TURBO M 249						
(14)	996 423 286 05	axle	/RL	1	TURBO M 249						
-	996 423 277 00	sleeve brake pedal	/RL	1							
15	996 423 210 03	cap		2	M 480						
(15)	996 423 212 03	cap		1	TURBO M 249						
17	996 613 113 01	switch brake pedal		2	TURBO M 454						
(17)	996 613 114 01	switch clutch pedal		1	TURBO M 454						
18	996 613 113 01	switch		1							
19	964 613 211 00	kickdown switch		1	TURBO M 249						
20	996 423 399 01	bush	/LL	2							
(20)	999 924 133 40	bush	/RL	2							

Model	Year	MG	SG	Illustration	Restrictions	Update	12:15	25.11.2005	PORSCHE	PET	PORSCHE
996t	05	7	02	702-08		194					

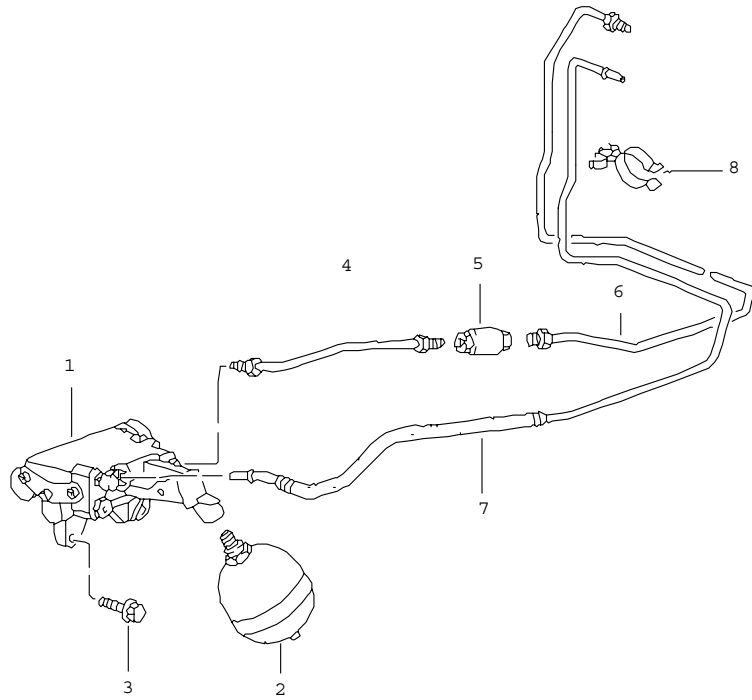


Pos	Part Number	Name	Remarks	Qty	Model
		clutch control clutch master cylinder clutch pipeline			
1	A 996 423 171 50	clutch master cylinder		1	TURBO
(1)	A 996 423 171 51	clutch master cylinder	-02	1	TURBO
(1)	996 423 171 52	clutch master cylinder	03-	1	TURBO
(1)	996 423 171 06	clutch master cylinder		1	GT-2
-	996 423 614 00	circlip pressure line		1	
-	996 423 315 06	bolt		1	
-	999 166 022 02	safety clip for bolt		1	
2	996 423 107 50	clutch pipeline	/LL	1	TURBO
(2)	996 423 107 10	clutch pipeline	/LL	1	GT-2
3	996 423 109 50	clutch pipeline		1	TURBO
(3)	996 423 109 10	clutch pipeline		1	GT-2
4	996 423 113 52	clutch pipeline F >>994S6 80654 F >>994S6 70658		1	TURBO
(4)	997 423 113 50	clutch pipeline F 994S6 80655>> F 994S6 70659>>		1	TURBO
(4)	996 423 113 06	clutch pipeline	-02	1	GT-2
(4)	996 423 113 07	clutch pipeline F >>994S6 95107	03-	1	GT-2
(4)	997 423 113 00	clutch pipeline F 994S6 95108>>		1	GT-2
5	996 355 549 00	support		1	
6	996 355 545 00	support		2	
7	996 355 543 00	support		4	
8	993 423 417 00	container		1	
-	999 513 051 40	hose clamp 3,5 - 78		1	
9	999 512 532 00	hose clamp		1	TURBO

Model	Year	MG	SG	Illustration	Restrictions	Update	12:15	25.11.2005	PORSCHE	PET	PORSCHE
996t	05	7	02	702-08		194					

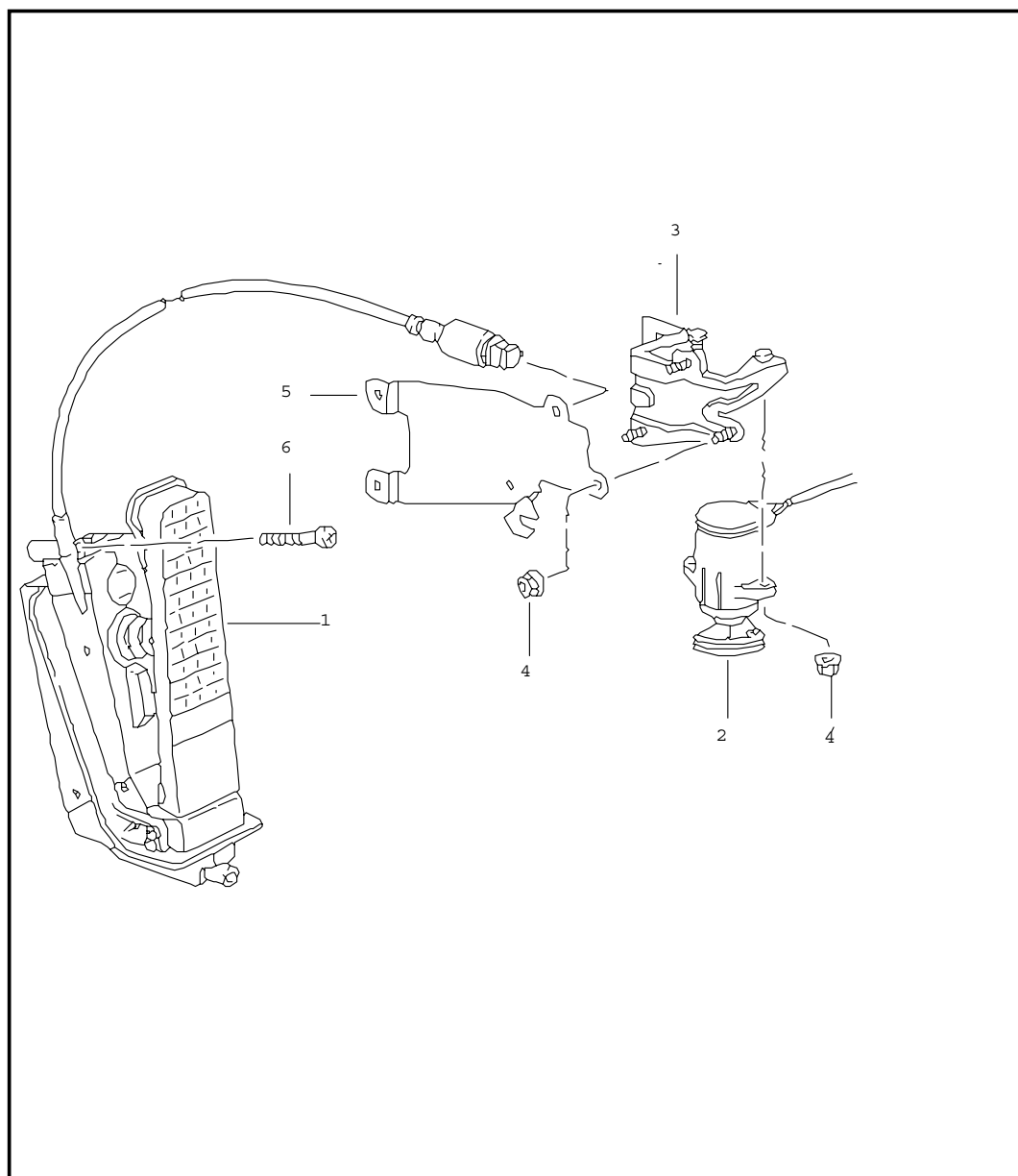
Pos	Part Number	Name	Remarks	Qty	Model	Pos	Part Number	Name	Remarks	Qty	Model
10	996 423 343 50	hose	/LL	1	TURBO	-	000 043 203 33	pentosin 1000 ML		X	TURBO
(10)	996 423 344 50	hose	/RL	1	TURBO						
(10)	996 423 137 02	line	/LL	1	GT-2			- - - E N D - - -			
11	996 423 445 52	support	/LL	1	TURBO						
12	996 423 147 50	feed line	/LL	1	TURBO						
(12)	996 423 147 50	feed line	/LL -01	1	GT-2						
(12)	996 423 147 00	feed line	/LL 02-	1	GT-2						
(12)	996 423 147 01	feed line	/LL 03-	1	GT-2						
13	999 707 403 40	sealing ring		X	TURBO						
(13)	999 707 333 40	sealing ring		X	GT-2						
14	999 230 541 10	threaded joint		X							
-	999 230 685 40	circlip for threaded joint		X							
15	996 423 377 52	clutch hose		1	TURBO						
(15)	996 423 377 90	clutch hose		1	GT-2						
16	996 423 142 51	feed line	/RL	1	TURBO						
(16)	996 423 142 51	feed line	/RL -01	1	GT-2						
(16)	996 423 142 01	feed line	/RL 02-	1	GT-2						
(16)	996 423 142 02	feed line	/RL 03-	1	GT-2						
17	999 512 650 09	hose clamp		1	TURBO						
18	996 423 446 52	support	/RL	1	TURBO						
19	996 423 108 50	clutch pipeline	/RL	1	TURBO						
(19)	996 423 108 10	clutch pipeline	/RL	1	GT-2						
20	900 378 029 09	hexagon-head bolt M 6X 40		2							
21	996 116 237 90	clutch operating cylinder		1	GT-2						
22	996 423 138 04	line	/RL	1	GT-2						
23	996 423 140 02	line	/RL	1	GT-2						
24	996 423 142 02	line	/RL	1	GT-2						

Model	Year	MG	SG	Illustration	Restrictions	Update	12:15	25.11.2005	PORSCHE	PET	PORSCHE
996t	05	7	02	702-09		194					



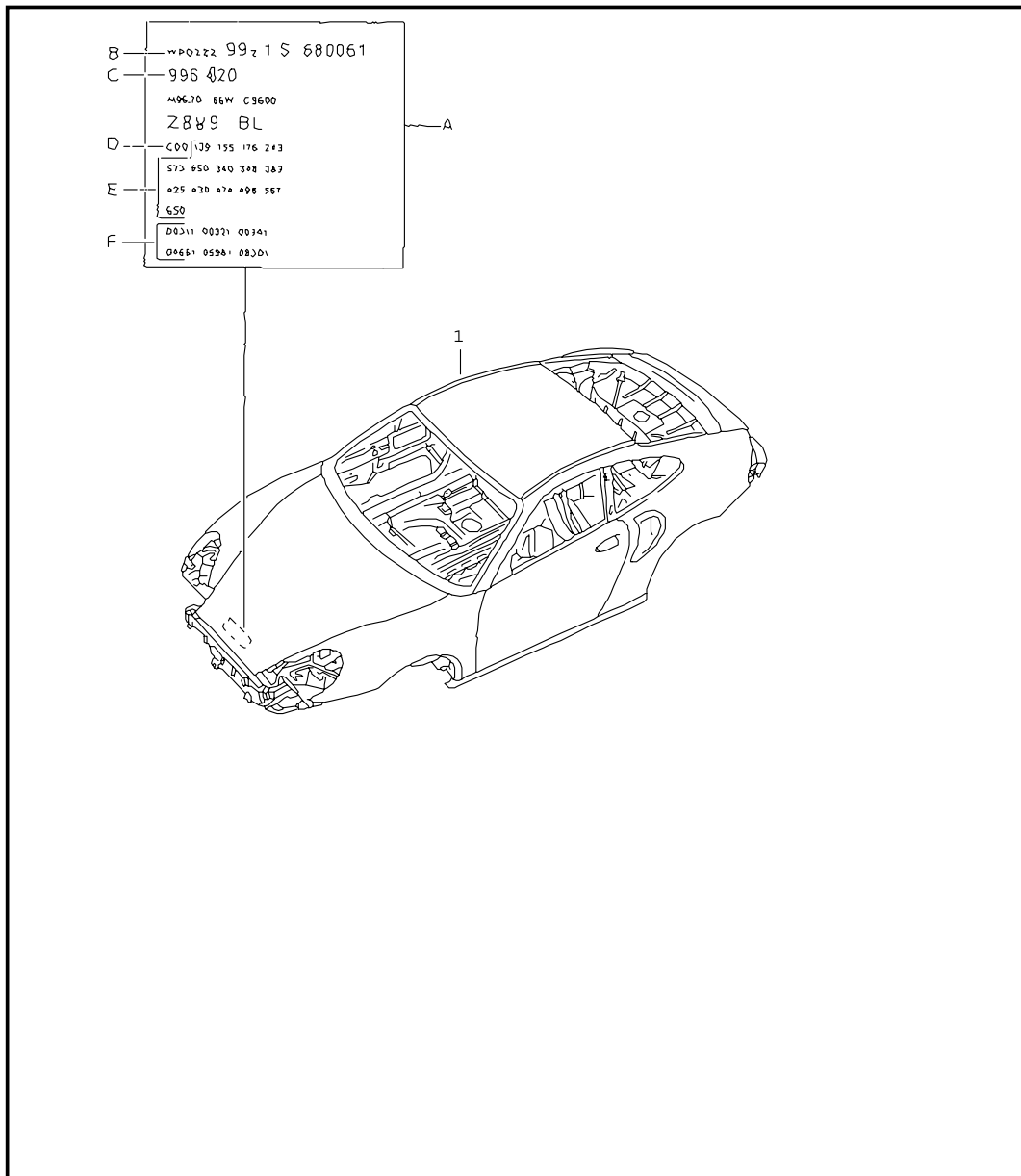
Pos	Part Number	Name	Remarks	Qty	Model
		clutch control clutch pipeline pressure accumulator clutch operating cylinder			TURBO
1	996 116 237 52	clutch operating cylinder		1	
-	999 507 745 09	cable clamp 13,5		1	
2	996 314 166 00	pressure accumulator		1	
-	999 707 224 40	sealing ring for pressure accumulator		1	
3	900 075 222 09	hexagon-head bolt M 8 X 30		2	
4	996 314 288 03	pressure line		1	
-	996 314 211 00	support pressure line		1	
5	999 136 041 02	threaded joint		1	
6	996 314 282 03	pressure line		1	
7	996 314 280 03	return line		1	
(7)	996 314 280 04	return line		1	
8	999 507 692 40	holder		2	
-	000 043 203 33	pentosin 1000 ML		X	
- - - E N D - - -					

Model	Year	MG	SG	Illustration	Restrictions	Update	12:15	25.11.2005	PORSCHE	PET	PORSCHE
996t	05	7	02	702-10		194					



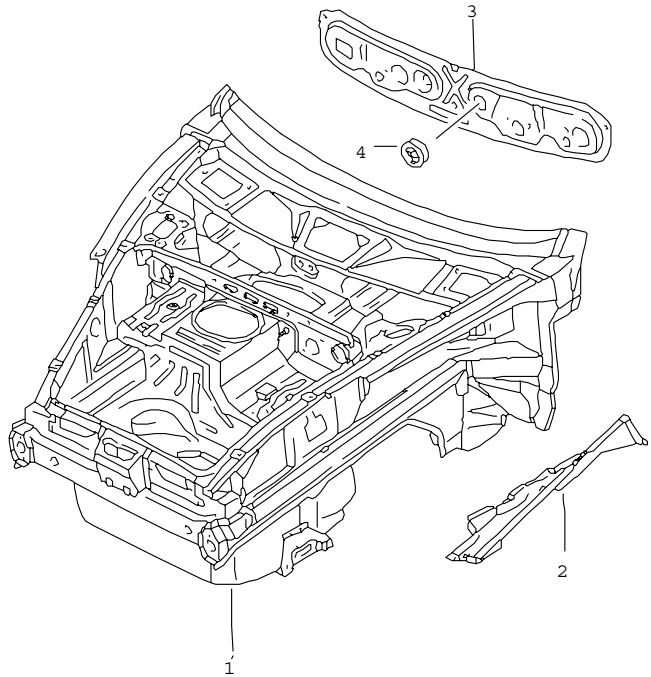
Pos	Part Number	Name	Remarks	Qty	Model
		pedals accelerator control			
1	996 423 019 03	accelerator control	/LL -02	1	TURBO M 480
(1)	996 423 019 04	accelerator control	/LL 03-	1	TURBO M 480
(1)	996 423 019 03	accelerator control	/LL -02	1	GT-2
(1)	996 423 019 04	accelerator control	/LL 03-	1	GT-2
(1)	996 423 029 03	accelerator control	/LL -02	1	TURBO M 249
(1)	996 423 029 04	accelerator control	/LL 03-	1	TURBO M 249
(1)	996 423 029 03	accelerator control	/LL -02	1	TURBO M 249
(1)	996 423 029 04	accelerator control	/LL 03-	1	TURBO M 249
(1)	996 423 020 01	accelerator control	/RL -02	1	TURBO M 480
(1)	996 423 020 02	accelerator control	/RL 03-	1	TURBO M 480
(1)	996 423 020 01	accelerator control	/RL -02	1	GT-2
(1)	996 423 020 02	accelerator control	/RL 03-	1	GT-2
(1)	996 423 030 01	accelerator control	/RL -02	1	TURBO M 249
(1)	996 423 030 02	accelerator control	/RL 03-	1	TURBO M 249
-	996 423 396 00	circlip connecting rod accelerator pedal	03-	1	
2	996 606 115 00	gas pedal sensor		1	
3	996 423 389 01	support		1	
4	900 377 010 09	hexagon nut M 6		5	
5	996 423 394 00	support	/RL	1	
6	900 146 157 09	round head screw M 5 X 55		1	
- - - E N D - - -					

Model	Year	MG	SG	Illustration	Restrictions	Update	12:16	25.11.2005	PORSCHE	PET	PORSCHE
996t	05	8	01	801-00		194					



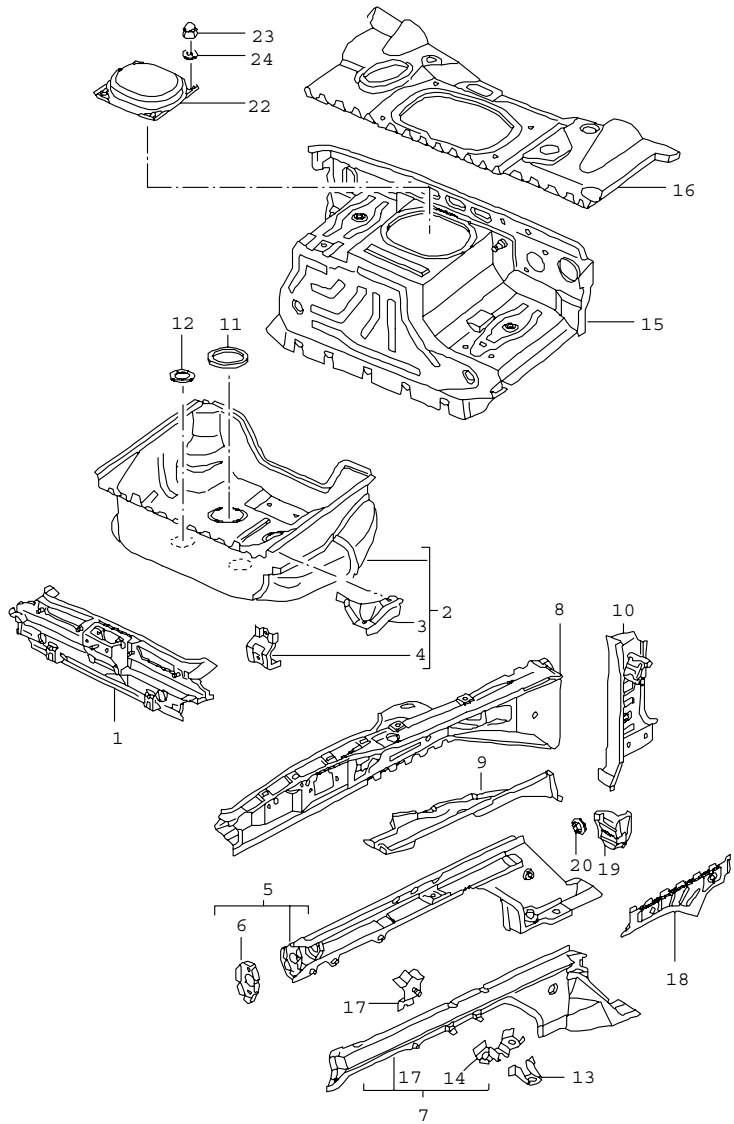
Pos	Part Number	Name	Remarks	Qty	Model
		body in white			
		prime coated			
		sealed			
		with			
		underbody protection			
		with			
		doors/lids/wings			
		bodyshells can only			
		be delivered of the			
		current model year			
		the data (b-f) that you			
		need for your order			
		please find in the data			
		vehicle data bank			
		please indicate this data			
		in your order			
A	-	data bank of the car			
B	-	vehicle identification no.			
C	-	order type			
D	-	country equipment			
E	-	optional extras			
F	-	additional applications			
1	996 500 900 00	body in white		1	
	GRV	prime coated			
		- - - E N D - - -			

Model	Year	MG	SG	Illustration	Restrictions	Update	12:16	25.11.2005	PORSCHE	PET	PORSCHE
996t	05	8	01	801-05		194					



Pos	Part Number	Name	Remarks	Qty	Model
		body front section			
(1)	996 501 911 01	body front section	/LL	1	
	GRV	prime coated			
(1)	996 501 911 03	body front section	/RL	1	
	GRV	prime coated			
		use also:			
2	996 501 443 00	bottom half	/L	1	
	GRV	prime coated			
(2)	996 501 444 01	bottom half	/R	1	
	GRV	prime coated			
3	996 504 121 02	cover firewall	/LL	1	
(3)	996 504 121 03	cover firewall	/RL	1	
-	999 702 255 40	cover 61,5 X 72,6		1	
- - - E N D - - -					

Model	Year	MG	SG	Illustration	Restrictions	Update	12:16	25.11.2005	PORSCHE	PET	PORSCHE
996t	05	8	01	801-10		194					

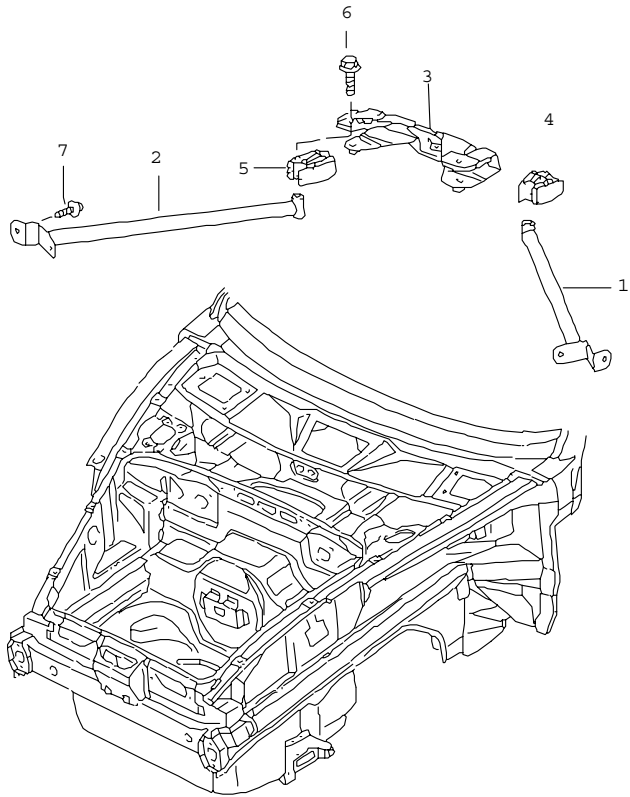


Pos	Part Number	Name	Remarks	Qty	Model
		body front section single parts			
1	996 501 231 01	terminal piece		1	
	GRV	prime coated			
(2)	996 501 979 01	spare-wheel well		1	
	GRV	prime coated			
3	996 501 649 00	corner panel	/L	1	
	GRV	prime coated			
(3)	996 501 650 00	corner panel	/R	1	
	GRV	prime coated			
4	996 501 621 00	support		3	
	GRV	prime coated			
5	996 501 305 06	side member	/L	1	
	GRV	prime coated			
(5)	996 501 306 06	side member	/R	1	
	GRV	prime coated			
6	996 501 377 01	mounting		2	
	GRV	prime coated			
7	996 501 915 00	side member	/L	1	
	GRV	prime coated			
(7)	996 501 916 00	side member	/R	1	
	GRV	prime coated			
8	996 501 935 00	wheel housing	/L	1	
	GRV	prime coated			
(8)	996 501 936 01	wheel housing	/R	1	
	GRV	prime coated			
9	996 501 443 00	bottom half	/L	1	
	GRV	prime coated			
(9)	996 501 444 01	bottom half	/R	1	
	GRV	prime coated			

Model	Year	MG	SG	Illustration	Restrictions	Update	12:16	25.11.2005	PORSCHE	PET	PORSCHE
996t	05	8	01	801-10		194					

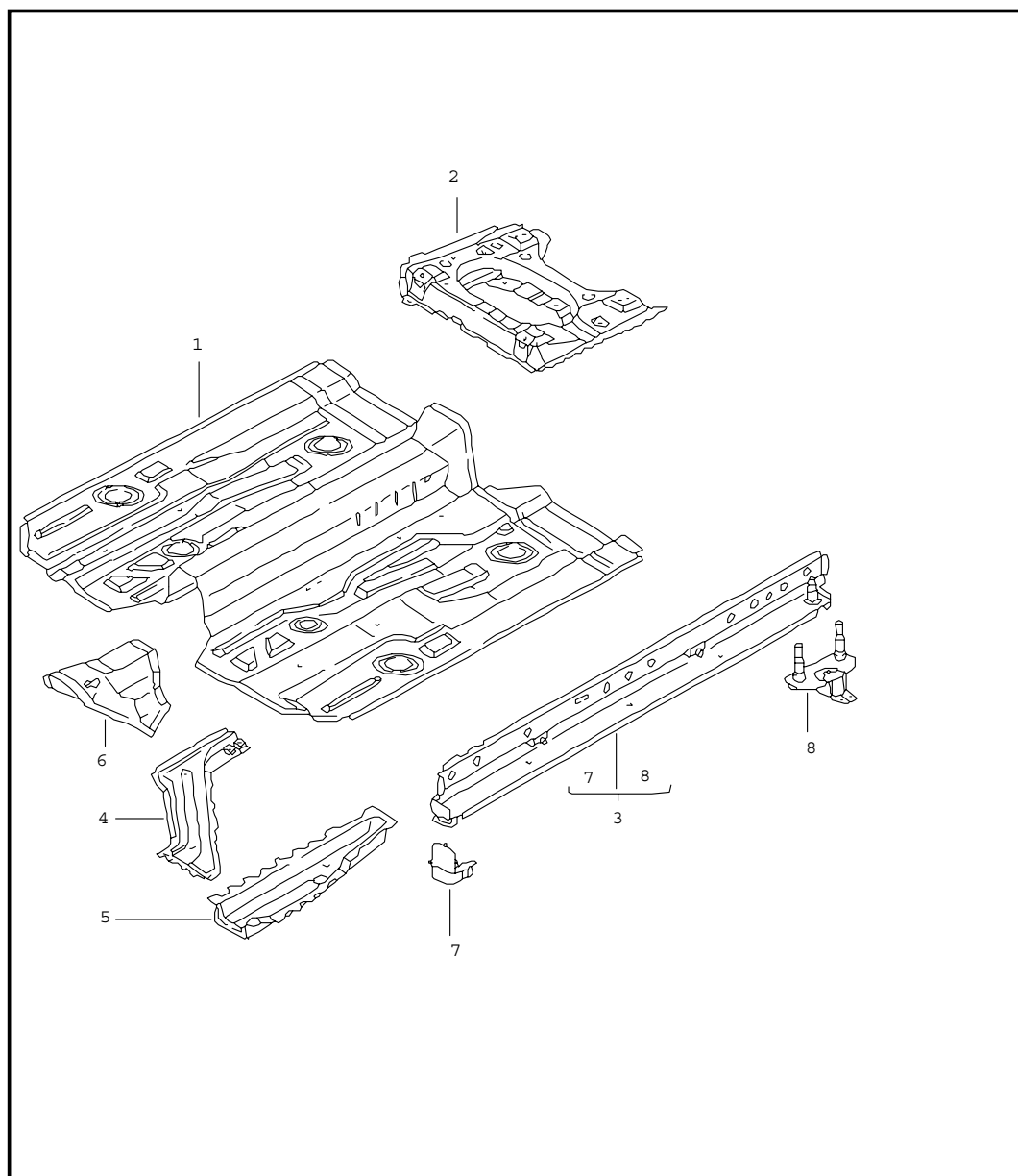
Pos	Part Number	Name	Remarks	Qty	Model	Pos	Part Number	Name	Remarks	Qty	Model
10	996 501 937 01	hinge pillar	/L	1		23	900 096 006 01	cap nut M 6		4	
	GRV	prime coated									
(10)	996 501 938 01	hinge pillar	/R	1		24	N 011 524 7	washer A 6,4		4	
	GRV	prime coated									
11	996 504 201 01	cover \$ 145 MM		2							
12	996 504 213 01	cover \$ 85 MM		2							
14	996 501 815 02	support		2							
	GRV	prime coated									
(15)	996 502 015 02	bulkhead	/LL	1							
	GRV	prime coated									
(15)	996 502 015 03	bulkhead	/RL	1							
	GRV	prime coated									
16	996 502 017 05	cross panel		1							
	GRV	prime coated									
17	996 501 341 00	support		2							
	GRV	prime coated									
18	996 501 665 00	separator	/L	1							
	GRV	prime coated									
(18)	996 501 666 00	separator	/R	1							
	GRV	prime coated									
19	996 504 461 00	cover	/L	1							
(19)	996 504 462 00	cover	/R	1							
20	999 084 629 09	hexagon nut M 6		6							
-	996 504 761 01	seal	/L	1							
-	996 504 762 01	seal	/R	1							
-	999 507 760 40	expansion rivet 6,5 X 20		4							
22	996 504 471 00	cover		1							

Model	Year	MG	SG	Illustration	Restrictions	Update	12:16	25.11.2005	PORSCHE	PET	PORSCHE
996t	05	8	01	801-15		194					



Pos	Part Number	Name	Remarks	Qty	Model
		dome strut			
1	A 996 504 233 00	dome strut	/L -02	1	
1	996 504 233 01	dome strut	/L	1	
2	A 996 504 234 00	dome strut	/R -02	1	
2	996 504 234 01	dome strut	/R	1	
3	996 504 359 00	bracket		1	
4	996 504 633 00	filler piece	/L	1	
5	996 504 634 00	filler piece	/R	1	
6	900 378 100 09	hexagon-head bolt AM 10 X 45		2	
7	900 075 010 09	screw M 6 X 12		4	
- - - E N D - - -					

Model	Year	MG	SG	Illustration	Restrictions	Update	12:17	25.11.2005	PORSCHE	PET	PORSCHE
996t	05	8	01	801-20		194					

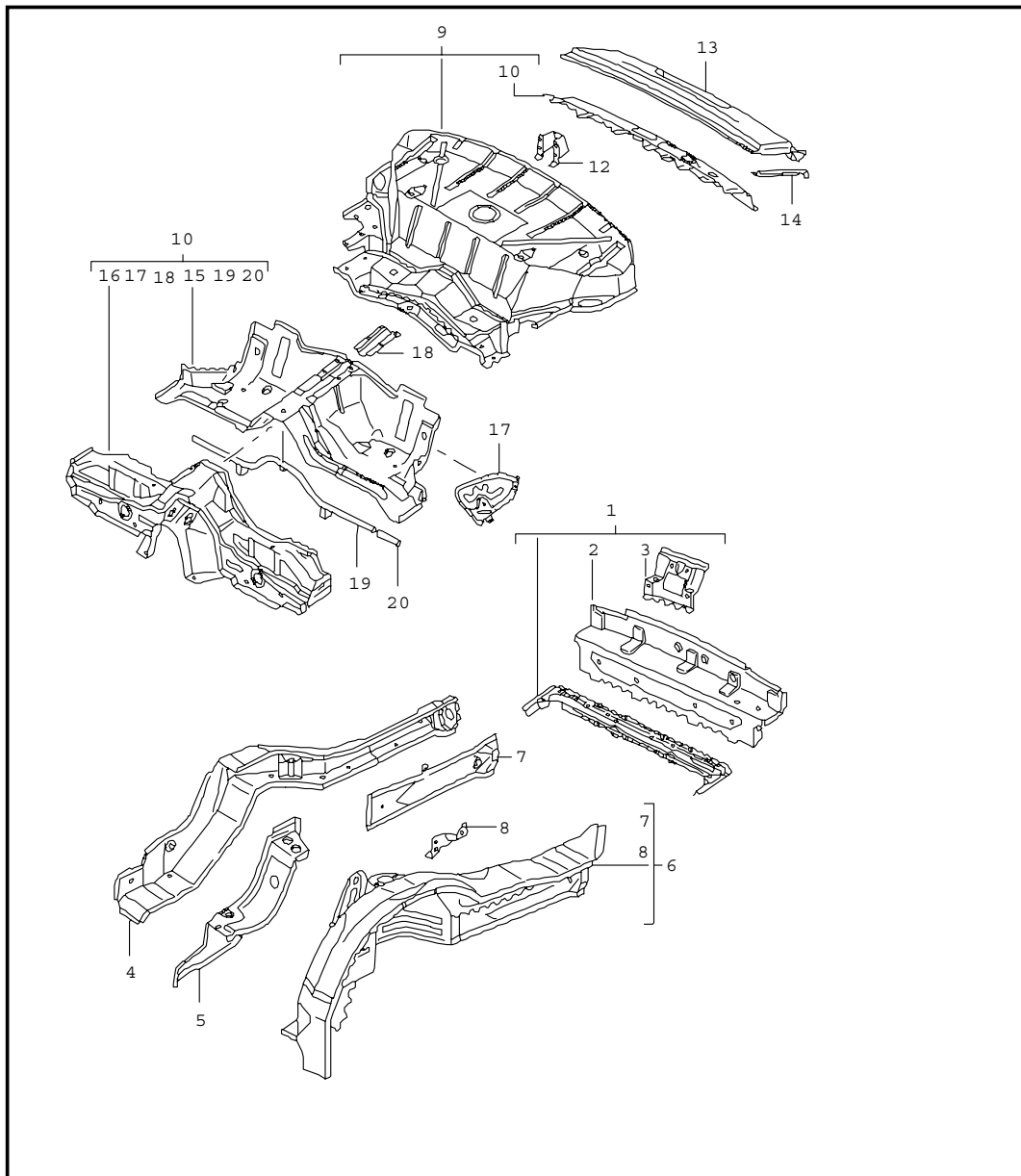


Pos	Part Number	Name	Remarks	Qty	Model
		floor centre			
1	996 501 551 00	floor		1	
	GRV	prime coated			
2	996 501 153 00	seat support	/L	1	
	GRV	prime coated			
(2)	996 501 154 00	seat support	/R	1	
	GRV	prime coated			
3	996 501 957 00	side member	/L	1	
	GRV	prime coated			
(3)	996 501 958 01	side member	/R	1	
	GRV	prime coated			
4	996 501 507 01	reinforcement	/L	1	
	GRV	prime coated			
(4)	996 501 508 01	reinforcement	/R	1	
	GRV	prime coated			
5	996 501 525 00	side member	/L	1	
	GRV	prime coated			
(5)	996 501 526 00	side member	/R	1	
	GRV	prime coated			
6	996 501 751 00	extension		1	
	GRV	prime coated			
7	996 501 785 00	jacking point	/L/V	1	
	GRV	prime coated			
(7)	996 501 786 00	jacking point	/R/V	1	
	GRV	prime coated			
8	996 501 481 01	jacking point	/L/H	1	
	GRV	prime coated			
(8)	996 501 482 01	jacking point	/R/H	1	
	GRV	prime coated			

Model	Year	MG	SG	Illustration	Restrictions	Update	12:17	25.11.2005	PORSCHE	PET	PORSCHE
996t	05	8	01	801-20		194					

Pos	Part Number	Name	Remarks	Qty	Model	Pos	Part Number	Name	Remarks	Qty	Model
-	996 504 201 01	cover \$ 145 MM		X							
-	996 504 205 01	cover \$ 130 MM		X							
-	996 504 207 01	cover \$ 100 MM		X							
		- - - E N D - - -									

Model	Year	MG	SG	Illustration	Restrictions	Update	12:17	25.11.2005	PORSCHE	PET	PORSCHE
996t	05	8	01	801-35		194					

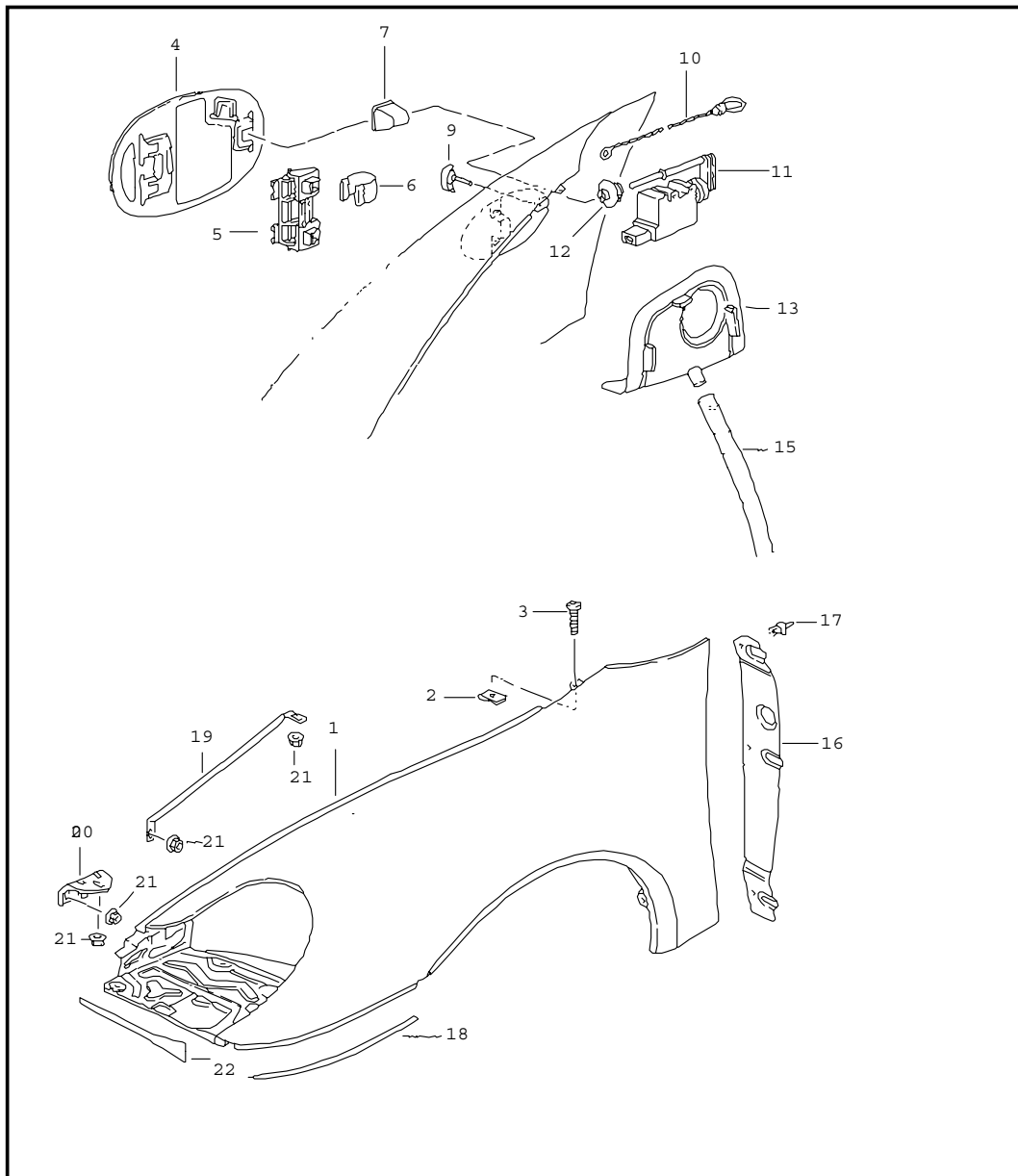


Pos	Part Number	Name	Remarks	Qty	Model
		rear end			
1	996 501 173 05	terminal piece		1	TURBO
	GRV	prime coated			
1	996 501 173 90	terminal piece		1	GT2
	GRV	prime coated			
2	996 501 273 02	end plate		1	
	GRV	prime coated see tpi group 8 Nr.51			
3	996 501 247 01	lock carrier		1	
	GRV	prime coated			
4	996 501 977 00	side member	/L	1	
	GRV	prime coated			
(4)	996 501 978 00	side member	/R	1	
	GRV	prime coated			
5	996 501 933 00	side member	/L	1	
	GRV	prime coated outer			
(5)	996 501 934 00	side member	/R	1	
	GRV	prime coated outer			
6	996 501 943 00	wheel housing	/L	1	
	GRV	prime coated			
(6)	996 501 944 00	wheel housing	/R	1	
	GRV	prime coated			
7	996 501 595 01	side member	/L	1	
	GRV	prime coated			
(7)	996 501 596 01	side member	/R	1	
	GRV	prime coated			
9	996 502 191 12	rear wall		1	COUPE
	GRV	prime coated			

Model	Year	MG	SG	Illustration	Restrictions	Update	12:17	25.11.2005	PORSCHE	PET	PORSCHE
996t	05	8	01	801-35		194					

Pos	Part Number	Name	Remarks	Qty	Model	Pos	Part Number	Name	Remarks	Qty	Model
10	996 502 673 02	cross member		1	COUPE		GRV	prime coated			
		GRV prime coated						- - - E N D - - -			
(10)	996 502 673 07	cross member		1	CABRIO						
		GRV prime coated									
(10)	996 502 561 01	cross member		1	CABRIO						
		GRV prime coated upper part									
11	996 501 949 00	seat well	-01	1							
		GRV prime coated									
11	996 501 049 03	seat well	02-	1							
		GRV prime coated									
13	996 503 211 02	rear centre panel		1							
		GRV prime coated									
13	996 503 211 90	rear centre panel		1	GT2						
		GRV prime coated									
14	996 545 549 01	pipng	/L	1							
(14)	996 545 550 01	pipng	/R	1							
15	996 501 549 03	seat well		1							
		GRV prime coated									
16	996 501 155 02	cross member		1							
		GRV prime coated									
17	996 501 461 02	reinforcement	/L	1							
		GRV prime coated									
(17)	996 501 462 02	reinforcement	/R	1							
		GRV prime coated									
18	996 501 659 01	bracket		1							
		GRV prime coated									
19	996 501 411 00	pipe		1							
		GRV prime coated									
20	996 501 415 00	sleeve		1							

Model	Year	MG	SG	Illustration	Restrictions	Update	12:17	25.11.2005	PORSCHE	PET	PORSCHE
996t	05	8	01	801-40		194					

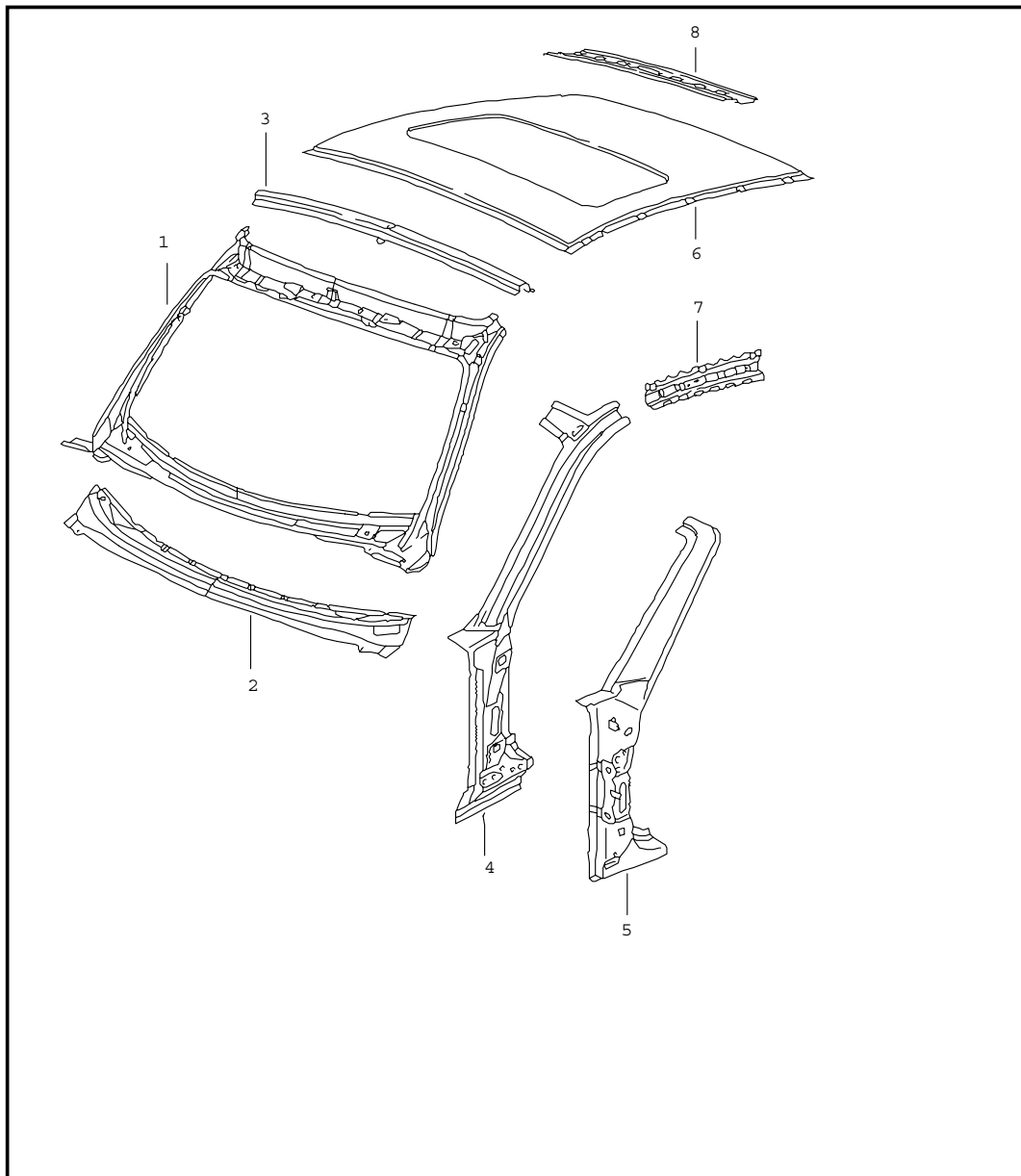


Pos	Part Number	Name	Remarks	Qty	Model
1	A 996 503 031 02	wing	/L	1	
		GRV	prime coated		
1	996 503 031 03	wing	/L	1	
		GRV	prime coated		
(1)	A 996 503 032 02	wing	/R	1	
		GRV	prime coated		
(1)	996 503 032 05	wing	/R	1	
		GRV	prime coated		
2	999 507 003 02	speed nut ST 6,3		22	
3	999 073 128 02	tapping screw ST 6,3 X 14		22	
4	996 504 133 01	fuel filler flap		1	
		GRV	prime coated		
5	996 201 063 00	hinge		1	
6	996 201 413 01	spring		1	
7	996 201 423 00	cap		1	
9	996 201 513 00	rubber stop		1	
10	996 201 493 00	emergency operation		1	
11	996 624 113 00	actuator		1	
12	996 624 505 02	guide rose		1	
13	996 201 667 01	sleeve		1	
15	996 201 153 00	hose		1	
16	996 504 641 01	cover	/L	1	
		01C	black		
(16)	996 504 642 01	cover	/R	1	
		01C	black		
17	999 591 712 40	expansion rivet A 6,0 X 12,0		6	
18	996 504 531 01	protective film	/L	1	

Model	Year	MG	SG	Illustration	Restrictions	Update	12:17	25.11.2005	PORSCHE	PET	PORSCHE
996t	05	8	01	801-40		194					

Pos	Part Number	Name	Remarks	Qty	Model	Pos	Part Number	Name	Remarks	Qty	Model
(18)	996 504 532 01	protective film	/R	1							
19	996 504 441 00	strut		2							
	GRV	prime coated									
20	996 504 555 00	support		2							
	GRV	prime coated									
21	900 377 010 09	nut		X							
		M 6									
22	996 504 617 00	protective film		2							
		- - - E N D - - -									

Model	Year	MG	SG	Illustration	Restrictions	Update	12:17	25.11.2005	PORSCHE	PET	PORSCHE
996t	05	8	01	801-45		194					

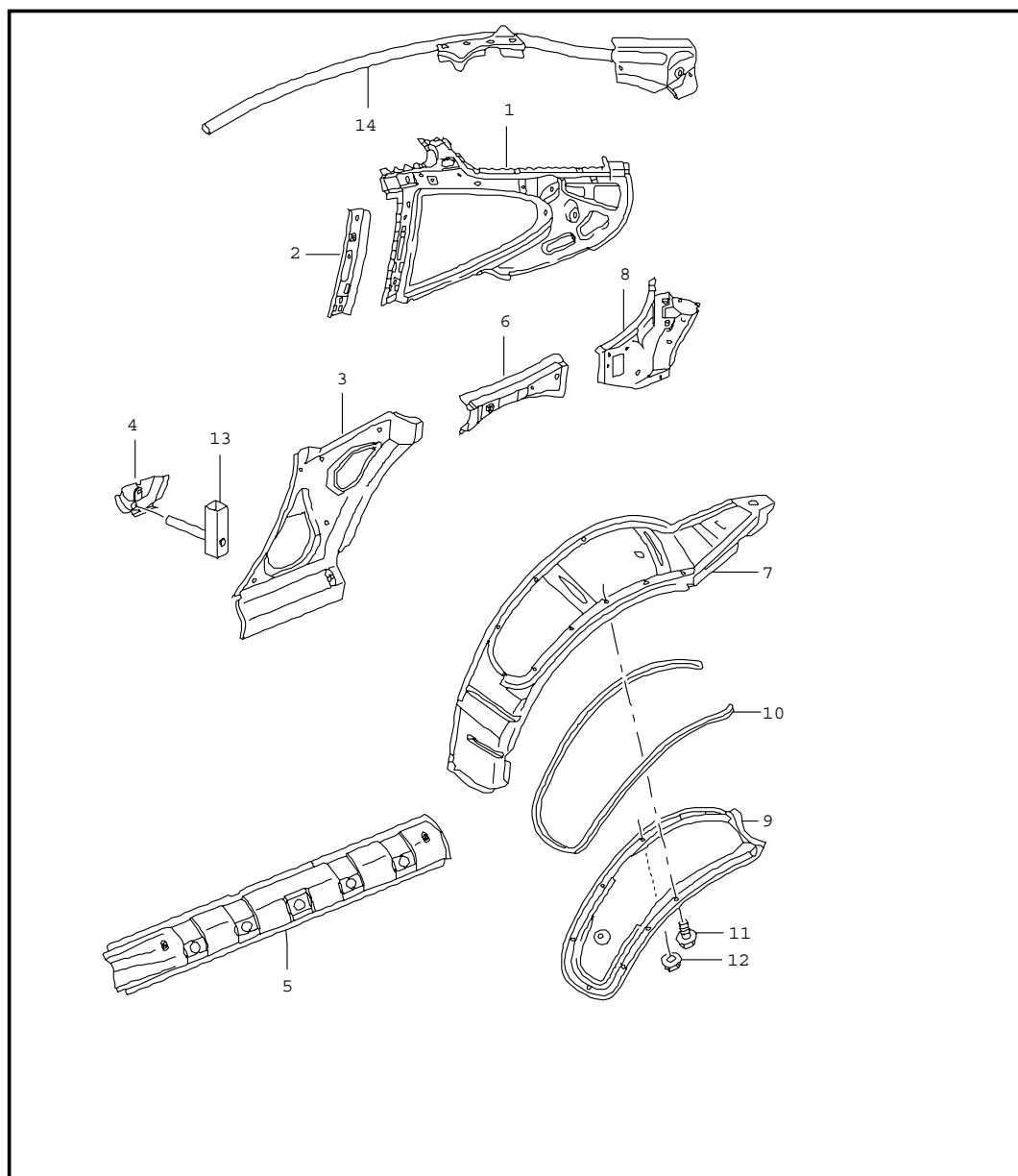


Pos	Part Number	Name	Remarks	Qty	Model
1	A 996 502 137 05	cowl		1	COUPE
	GRV	prime coated inner			
1	996 502 137 08	cowl see group 8/07/09 sun visor		1	COUPE
	GRV	prime coated inner			
(1)	996 502 137 04	cowl		1	CABRIO
	GRV	prime coated inner			
2	996 502 527 01	cowl		1	
	GRV	prime coated outer			
3	996 502 529 00	cowl		1	CABRIO
	GRV	prime coated outer			
4	996 502 135 02	reinforcement	/L	1	COUPE
	GRV	prime coated inner			
(4)	996 502 136 02	reinforcement	/R	1	COUPE
	GRV	prime coated inner			
(4)	996 502 135 00	reinforcement	/L	1	CABRIO
	GRV	prime coated inner			
(4)	996 502 136 00	reinforcement	/R	1	CABRIO
	GRV	prime coated inner			
5	996 502 335 00	hinge pillar	/L	1	CABRIO
	GRV	prime coated			
(5)	996 502 336 00	hinge pillar	/R	1	CABRIO
	GRV	prime coated			

Model	Year	MG	SG	Illustration	Restrictions	Update	12:17	25.11.2005	PORSCHE	PET	PORSCHE
996t	05	8	01	801-45		194					

Pos	Part Number	Name	Remarks	Qty	Model	Pos	Part Number	Name	Remarks	Qty	Model
(6)	996 503 501 00	outer roof panel		1							
	GRV	prime coated									
6	996 503 087 00	outer roof panel		1	M 650						
	GRV	prime coated									
7	996 502 305 03	roof frame	/L	1							
	GRV	prime coated									
(7)	996 502 306 03	roof frame	/R	1							
	GRV	prime coated									
8	996 502 505 00	roof frame		1							
	GRV	prime coated									
-	996 504 911 00	plate with threaded pin		X							
-	996 504 505 00	threaded bush		X							
-	900 025 008 09	washer A 10,5		X							
-	996 502 737 00	captive nut M 6 cowl		2	CABRIO						
-	997 502 739 00	captive nut M 6 cowl		1	CABRIO						
		- - - E N D - - -									

Model	Year	MG	SG	Illustration	Restrictions	Update	12:17	25.11.2005	PORSCHE	PET	PORSCHE
996t	05	8	01	801-50		194					

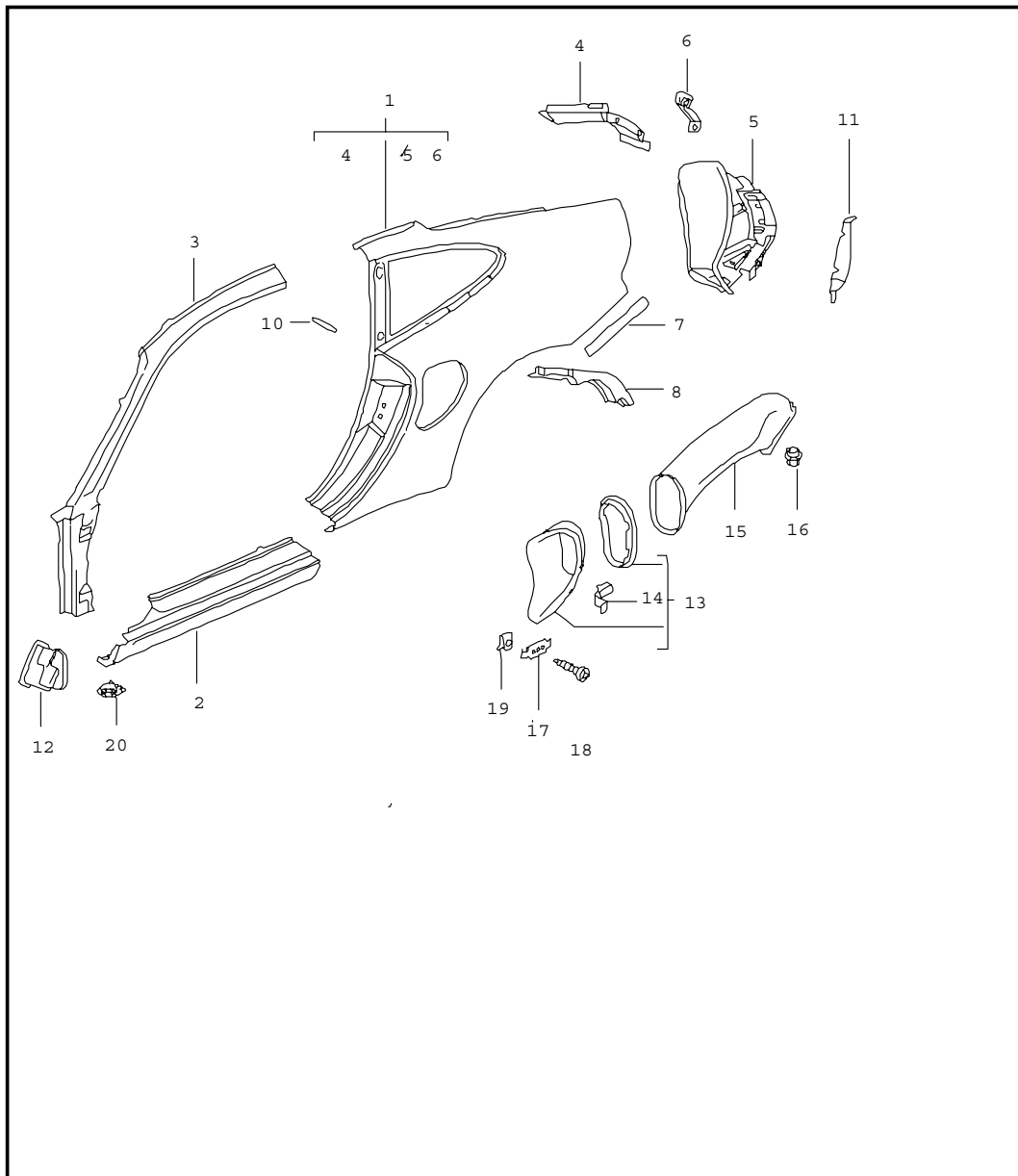


Pos	Part Number	Name	Remarks	Qty	Model
		side section inner			
1	996 502 043 02	side section inner	/L	1	
	GRV	prime coated			
(1)	996 502 044 02	side section	/R	1	
	GRV	prime coated			
2	996 502 423 01	reinforcement	/L	1	
	GRV	prime coated			
(2)	996 502 424 01	reinforcement	/R	1	
	GRV	prime coated			
3 A	996 502 083 00	side section	/L	1	
	GRV	prime coated			
3	996 502 083 02	side section	/L	1	
	GRV	prime coated			
(3) A	996 502 084 00	side section	/R	1	
	GRV	prime coated			
(3)	996 502 084 02	side section	/R	1	
	GRV	prime coated			
4	996 502 383 00	bracket		2	
	GRV	prime coated			
5 A	996 502 733 00	reinforcement	/L	1	
	GRV	prime coated			
5	996 502 733 01	reinforcement	/L	1	
	GRV	prime coated			
(5) A	996 502 734 00	reinforcement	/R	1	
	GRV	prime coated			
(5)	996 502 734 01	reinforcement	/R	1	
	GRV	prime coated			
6	996 502 115 00	side section	/L	1	
	GRV	prime coated			

Model	Year	MG	SG	Illustration	Restrictions	Update	12:17	25.11.2005	PORSCHE	PET	PORSCHE
996t	05	8	01	801-50		194					

Pos	Part Number	Name	Remarks	Qty	Model	Pos	Part Number	Name	Remarks	Qty	Model
(6)	996 502 116 00	side section	/R	1							
	GRV	prime coated									
7	996 502 215 00	wheel housing	/L	1							
	GRV	prime coated									
(7)	996 502 216 00	wheel housing		1							
	GRV	prime coated									
8	996 502 161 02	side section	/L	1							
	GRV	prime coated									
(8)	996 502 162 02	side section	/R	1							
	GRV	prime coated									
9	996 504 221 00	cover	/L	1							
(9)	996 504 222 00	cover	/R	1							
10	996 504 613 00	gasket		2							
11	999 217 153 09	hexagon-head bolt M 6 X 12		22							
12	999 084 629 09	hexagon nut M 6		2							
13	996 502 617 00	pipe	02-	2							
	GRV	prime coated									
14	996 502 619 00	pipe	/L 02-	1							
	GRV	prime coated									
(14)	996 502 620 00	pipe	/R 02-	1							
	GRV	prime coated									
		- - - E N D - - -									

Model	Year	MG	SG	Illustration	Restrictions	Update	12:18	25.11.2005	PORSCHE	PET	PORSCHE
996t	05	8	01	801-55		194					



Pos	Part Number	Name	Remarks	Qty	Model
		side section outer			
1	A 996 503 961 04	side section GRV prime coated	/L -01	1	
1	996 503 961 07	side section GRV prime coated	/L	1	
(1)	A 996 503 962 04	side section GRV prime coated	/R -01	1	
(1)	996 503 962 07	side section GRV prime coated	/R	1	
-	999 915 650 40	adhesive TEROMIX 6700		X	
-	000 043 300 48	tool see technical manual group 5 53 55 55		X	
2	996 503 963 02	door sill GRV prime coated	/L	1	
(2)	996 503 964 02	door sill GRV prime coated	/R	1	
3	A 996 503 965 01	roof frame GRV prime coated	/L -01	1	
3	996 503 965 03	roof frame GRV prime coated	/L	1	
(3)	A 996 503 966 01	roof frame GRV prime coated	/R -01	1	
(3)	996 503 966 03	roof frame GRV prime coated	/R	1	
4	996 502 665 02	sealing channel GRV prime coated	/L	1	
(4)	996 502 666 02	sealing channel	/R	1	

Model	Year	MG	SG	Illustration	Restrictions	Update	12:18	25.11.2005	PORSCHE	PET	PORSCHE
996t	05	8	01	801-55		194					

Pos	Part Number	Name	Remarks	Qty	Model	Pos	Part Number	Name	Remarks	Qty	Model
		GRV prime coated				16	999 045 004 40	hexagon nut M 6		4	
5	996 502 461 01	frame for light	/L	1		17	996 504 607 01	clamp		8	
		GRV prime coated				18	999 073 080 02	tapping screw ST 4,2 X 16		8	
(5)	996 502 462 01	frame for light	/R	1		19	999 591 474 02	speed nut ST 4,2		8	
		GRV prime coated				20	999 703 475 40	drain tube door sill		2	
6	996 502 213 01	bracket	/L	1		-	996 504 305 00	support		2	
		GRV prime coated						GRV prime coated charge air cooler			
(6)	996 502 214 01	bracket	/R	1		-	999 076 066 09	hexagon nut M 6		2	
		GRV prime coated						- - - E N D - - -			
7	996 504 631 01	protective film	/L	1							
(7)	996 504 632 01	protective film	/R	1							
(8)	996 504 907 01	gasket	/L	1							
(8)	996 504 908 01	gasket see workshop manual	/R	1							
-	999 507 557 40	expansion rivet 7,8 X 12,3		4							
10	996 537 237 00	protective film		2							
11	996 501 487 00	angular plate	/L	1							
		GRV prime coated									
(11)	996 501 488 00	angular plate	/R	1							
		GRV prime coated									
12	996 572 311 00	water protection	/L	1							
(12)	996 572 312 00	water protection	/R	1							
13	996 504 361 00	air inlet	/L	1							
		G2X prime coated									
(13)	996 504 362 00	air inlet		1							
		G2X prime coated									
14	996 504 605 00	retainer spring		8							
15	996 575 559 00	air duct	/L	1							
(15)	996 575 560 00	air duct	/R	1							

Model	Year	MG	SG	Illustration	Restrictions	Update	12:18	25.11.2005
996t	05	8	01	801-60		194		

Pos	Part Number	Name	Remarks	Qty	Model
		side section inner			CABRIO
1	996 502 073 05	side section	/L	1	
	GRV	prime coated			
(1)	996 502 074 05	side section	/R	1	
	GRV	prime coated			
2	996 502 663 02	reinforcement	/L	1	
	GRV	prime coated			
(2)	996 502 664 02	reinforcement	/R	1	
	GRV	prime coated			
3	996 502 683 01	separator	/L	1	
	GRV	prime coated			
(3)	996 502 684 01	separator	/R	1	
	GRV	prime coated			
4	996 502 415 01	b-pillar	/L	1	
	GRV	prime coated			
(4)	996 502 416 01	b-pillar	/R	1	
	GRV	prime coated			
5	996 502 215 02	wheel housing	/L	1	
	GRV	prime coated			
(5)	996 502 216 02	wheel housing	/R	1	
	GRV	prime coated			
7	996 502 087 00	side section	/L	1	
	GRV	prime coated			
(7)	996 502 088 00	side section	/R	1	
	GRV	prime coated			
8	996 502 161 04	side section	/L	1	
	GRV	prime coated			
(8)	996 502 162 04	side section	/R	1	
	GRV	prime coated			
9	996 502 669 00	pipe		2	

PORSCHE

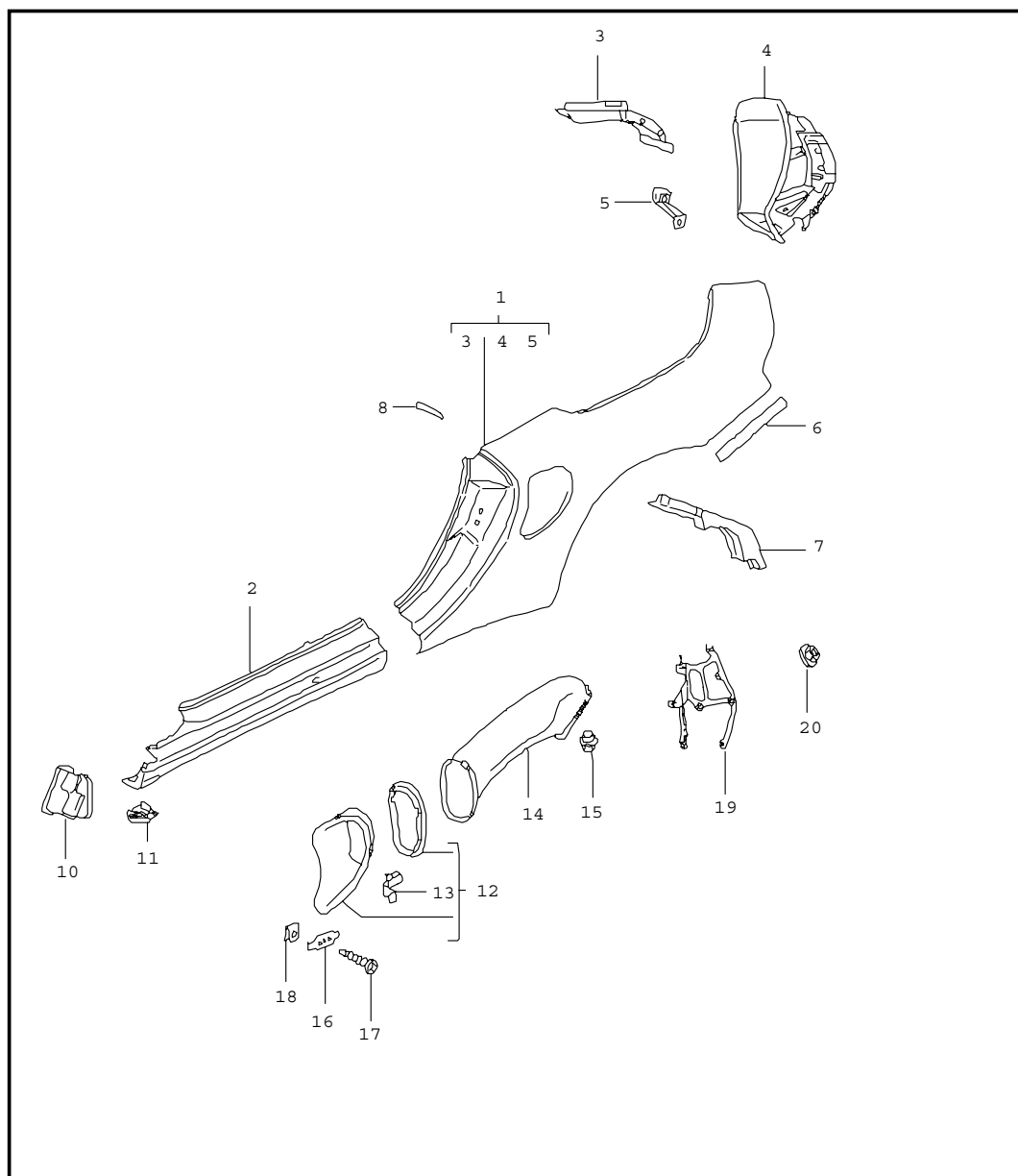
PET

PORSCHE

Model	Year	MG	SG	Illustration	Restrictions	Update		
996t	05	8	01	801-60		194	12:18	25.11.2005

Pos	Part Number	Name	Remarks	Qty	Model
	GRV	prime coated - - - E N D - - -			

Model	Year	MG	SG	Illustration	Restrictions	Update	12:18	25.11.2005	PORSCHE	PET	PORSCHE
996t	05	8	01	801-65		194					

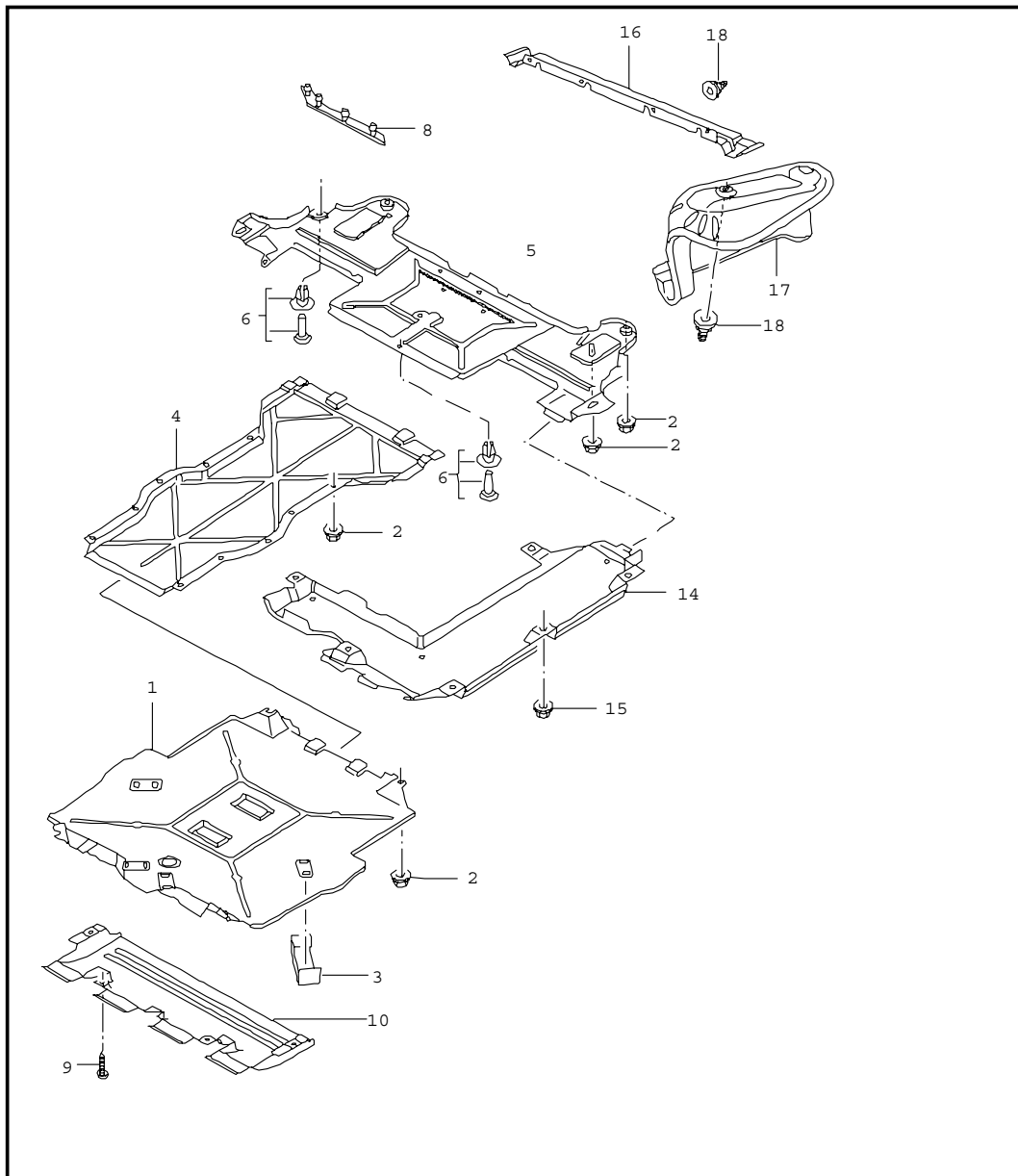


Pos	Part Number	Name	Remarks	Qty	Model
		side section outer	04-		CABRIO
1	996 503 961 10	side section	/L	1	
	GRV	prime coated			
(1)	996 503 962 10	side section	/R	1	
	GRV	prime coated			
		use also:			
-	999 915 650 40	adhesive TEROMIX 6700		X	
-	000 043 300 48	tool see technical manual group 5 53 55 55		X	
2	996 503 963 03	door sill	/L	1	
	GRV	prime coated			
(2)	996 503 964 03	door sill	/R	1	
	GRV	prime coated			
3	996 502 665 04	sealing channel	/L	1	
	GRV	prime coated			
(3)	996 502 666 04	sealing channel	/R	1	
	GRV	prime coated			
4	996 502 461 01	frame for light	/L	1	
	GRV	prime coated			
(4)	996 502 462 01	frame for light	/R	1	
	GRV	prime coated			
5	996 502 213 01	bracket	/L	1	
	GRV	prime coated			
(5)	996 502 214 01	bracket	/R	1	
	GRV	prime coated			
6	996 504 631 02	protective film	/L	1	
(6)	996 504 632 02	protective film	/R	1	
(7)	996 504 907 01	gasket	/L	1	

Model	Year	MG	SG	Illustration	Restrictions	Update	12:18	25.11.2005	PORSCHE	PET	PORSCHE
996t	05	8	01	801-65		194					

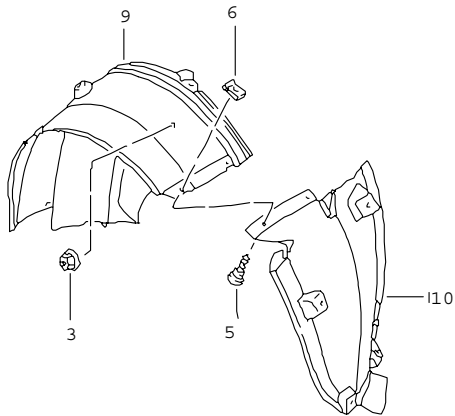
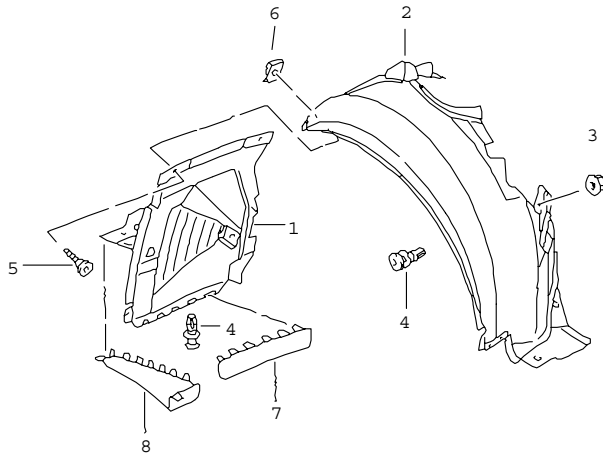
Pos	Part Number	Name	Remarks	Qty	Model	Pos	Part Number	Name	Remarks	Qty	Model
(7)	996 504 908 01	gasket it is necessary to rework see workshop manual	/R	1							
8	996 537 237 00	protective film		2							
10	996 572 311 00	water protection	/L	1							
(10)	996 572 312 00	water protection	/R	1							
11	999 703 475 40	drain tube door sill		2							
12	996 504 361 01	air inlet	/L	1							
	G2X	prime coated									
(12)	996 504 362 01	air inlet	/R	1							
	G2X	prime coated									
13	996 504 605 00	retainer spring		8							
14	996 575 559 01	air duct	/L	1							
(14)	996 575 560 01	air duct	/R	1							
15	999 045 004 40	hexagon nut M 6		4							
16	996 504 607 01	clamp		8							
17	999 073 080 02	tapping screw ST 4,2 X 16		8							
18	999 591 474 02	speed nut ST 4,2		8							
19	996 504 305 00	support		2							
	GRV	prime coated									
20	999 076 066 09	hexagon nut M 6		2							
		- - - E N D - - -									

Model	Year	MG	SG	Illustration	Restrictions	Update	12:18	25.11.2005	PORSCHE	PET	PORSCHE
996t	05	8	01	801-70		194					



Pos	Part Number	Name	Remarks	Qty	Model
		linings for underbody			
(1)	996 504 527 01	cover		1	
2	999 049 022 40	plastic nut T 5		21	
3	999 507 657 09	clamp		6	
4	996 504 043 02	cover centre		1	
5	996 504 129 01	cover		1	M 249
5	996 504 129 03	cover	05-	1	M 249/M092
(5)	996 504 029 00	cover rear		1	M 480
6	999 507 497 40	expansion rivet 8,0 X 14,0		4	
8	996 504 893 00	rubber lip	/L	1	
(8)	996 504 894 00	rubber lip	/R	1	
9	N 906 487 02	tapping screw ST 4,8 X 16		4	
(10)	996 575 961 00	air duct		1	M X50
10	996 575 161 01	air duct		1	
14	996 504 561 00	cover		1	
15	999 049 022 40	plastic nut T5		6	
16	996 505 471 00	heat protection centre		1	
-	996 504 529 02	air duct for transmission		1	M 480
		- - - E N D - - -			

Model	Year	MG	SG	Illustration	Restrictions	Update	12:18	25.11.2005	PORSCHE	PET	PORSCHE
996t	05	8	01	801-75		194					

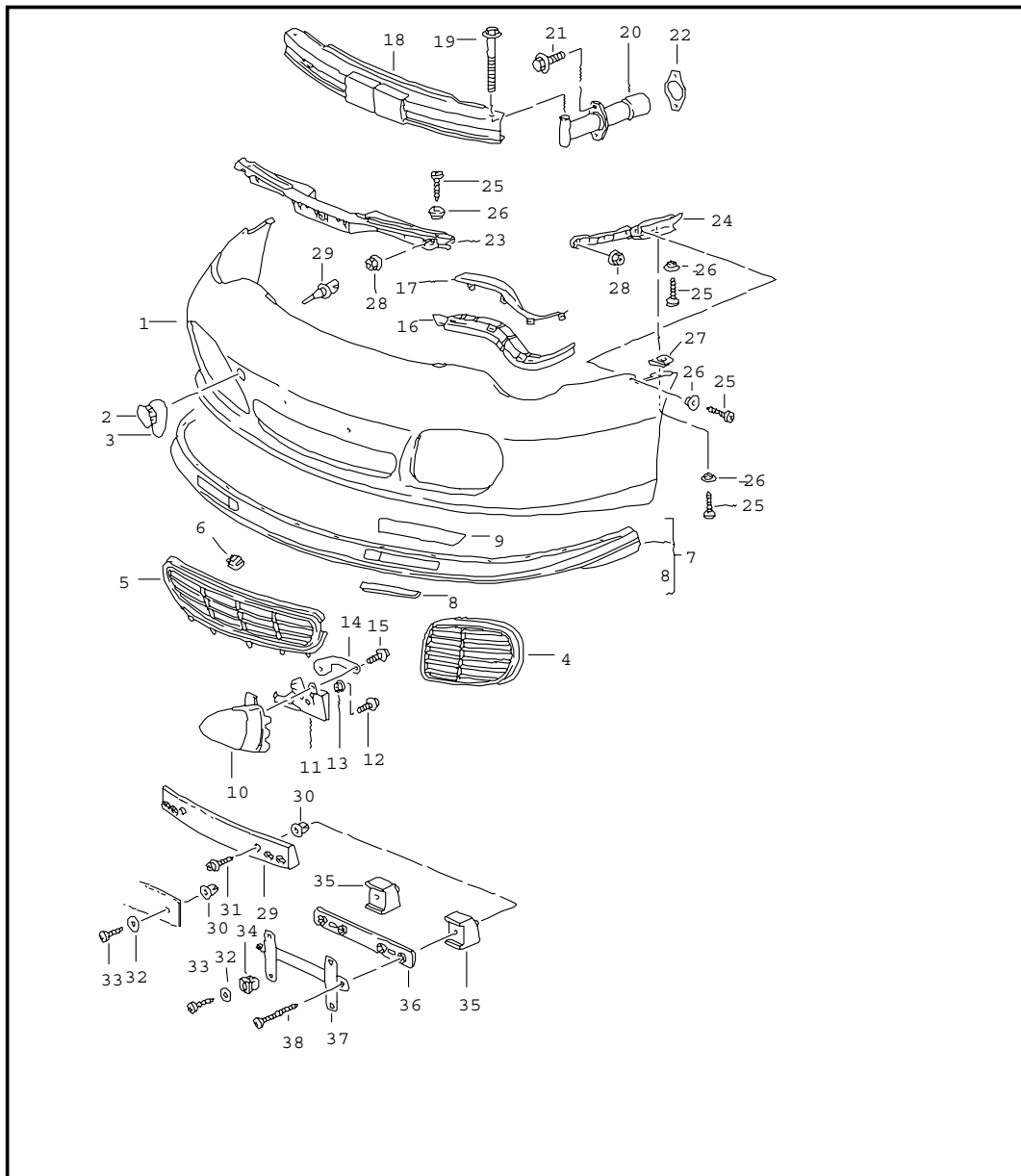


Pos	Part Number	Name	Remarks	Qty	Model
		linings for wheel housing			
1	996 504 123 00	wheel-housing liner	/L/V	1	TURBO
1	996 504 123 90	wheel-housing liner front	/L/V	1	GT2
(1)	996 504 124 00	wheel-housing liner	/R/V	1	TURBO
(1)	996 504 124 90	wheel-housing liner front	/R/V	1	GT2
2	A 996 504 203 05	wheel-housing liner	/L/H	1	
2	996 504 203 08	wheel-housing liner front	/L/H	1	
(2)	A 996 504 204 05	wheel-housing liner	/R/H	1	
(2)	996 504 204 08	wheel-housing liner front	/R/H	1	
3	999 049 022 40	plastic nut T5		X	
4	999 507 497 40	expansion rivet 8,0 X 14,0		X	
5	N 906 487 02	tapping screw ST 4,8 X 16		X	
6	999 507 668 02	speed nut ST 4,8		X	
7	996 504 503 02	rubber lip	/L	1	TURBO
(7)	996 504 504 02	rubber lip	/R	1	TURBO
8	996 504 603 01	air duct	/L	1	TURBO
(8)	996 504 604 01	air duct	/R	1	TURBO
9	996 504 573 01	wheel-housing liner	/L/V	1	TURBO
9	996 504 573 90	wheel-housing liner rear	/L/V	1	GT2
(9)	996 504 574 01	wheel-housing liner	/R/V	1	TURBO
(9)	996 504 574 90	wheel-housing liner rear	/R/V	1	GT2
10	996 504 623 02	wheel-housing liner	/L/H	1	TURBO
10	996 504 623 90	wheel-housing liner	/L/H	1	GT2

Model	Year	MG	SG	Illustration	Restrictions	Update	12:18	25.11.2005	PORSCHE	PET	PORSCHE
996t	05	8	01	801-75		194					

Pos	Part Number	Name	Remarks	Qty	Model	Pos	Part Number	Name	Remarks	Qty	Model
(10)	996 504 624 02	wheel-housing liner	/R/H	1	TURBO						
(10)	996 504 624 90	wheel-housing liner rear	/R/H	1	GT2						
-	999 911 663 40	sealing strap 10 X 10 X 180		2							
-	999 911 695 40	sealing strap 10 X 30 X 680		2							
-	996 575 231 30	air duct	/L/V	1	GT2						
-	996 575 232 30	air duct	/R/V	1	GT2						
		- - - E N D - - -									

Model	Year	MG	SG	Illustration	Restrictions	Update	12:19	25.11.2005	PORSCHE	PET	PORSCHE
996t	05	8	02	802-00		194					

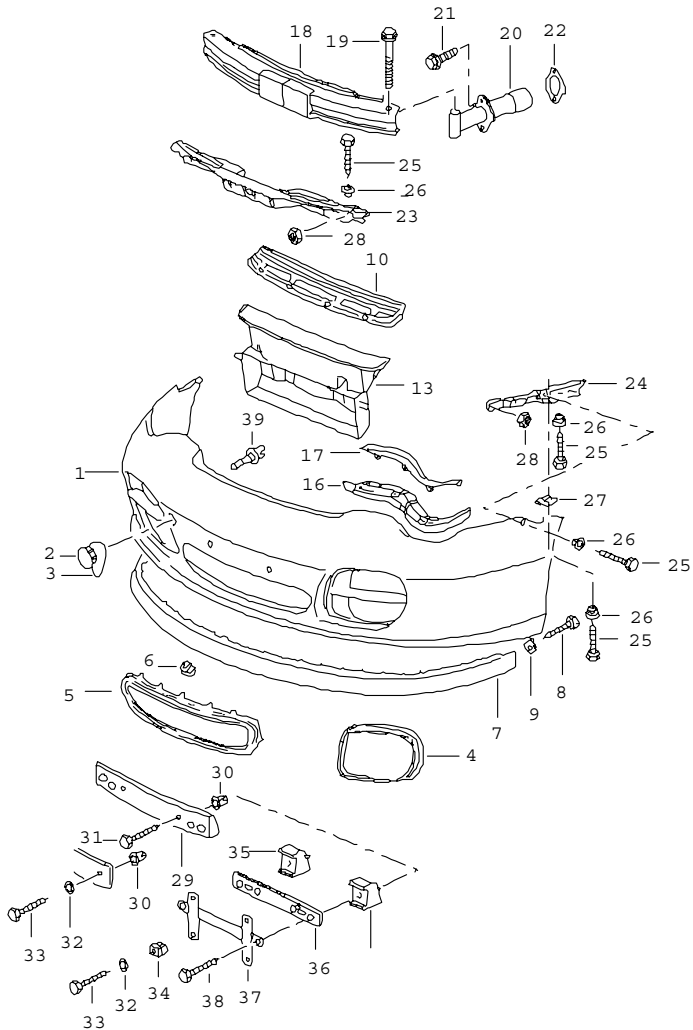


Pos	Part Number	Name	Remarks	Qty	Model
1	996 505 311 05	bumper front		1	
	G2X	lining			
	G2X	prime coated			
2	964 505 103 00	cap		1	
	G2X	prime coated			
3	999 651 225 40	safety rope		1	
4	996 505 563 00	air inlet	/L	1	
	01C	satin black			
(4)	996 505 564 00	air inlet	/R	1	
	01C	satin black			
(4)	996 505 563 01	air inlet	/L	1	M 215
	01C	satin black			
(4)	996 505 564 01	air inlet	/R	1	M 215
	01C	satin black			
5	996 505 561 00	air inlet		1	
	01C	satin black			
6	999 507 751 02	u-clamp		X	
7	996 505 355 00	spoiler		1	
	01C	satin black			
8	996 505 755 00	reinforcement		2	
9	996 504 627 00	protective film		2	
10	996 505 527 00	buffer	/L	1	M 215
	70C	rally black			
(10)	996 505 528 00	buffer	/R	1	M 215
	70C	rally black			
11	996 505 533 00	mounting	/L	1	M 215
(11)	996 505 534 00	mounting	/R	1	M 215
12	900 378 158 09	hexagon-head bolt M 6 X 16		2	M 215

Model	Year	MG	SG	Illustration	Restrictions	Update	12:19	25.11.2005	PORSCHE	PET	PORSCHE
996t	05	8	02	802-00		194					

Pos	Part Number	Name	Remarks	Qty	Model	Pos	Part Number	Name	Remarks	Qty	Model
13	999 209 044 09	spacer		2	M 215	31	999 073 080 02	tapping screw		X	
14	996 505 523 00	desk pad	/L	1	M 215	32	900 025 024 40	washer		X	
(14)	996 505 524 00	desk pad	/R	1	M 215	33	900 143 134 00	tapping screw B 4,2 X 9,5		X	
15	900 067 148 02	pan-head screw M 5 X 25		2	M 215	35	996 701 801 00	spacer	/L	1	
16	996 505 539 03	bracket	/L	1		(35)	996 701 802 00	spacer	/R	1	
(16)	996 505 540 03	bracket	/R	1		36	911 701 121 03	support		1	M 210
17	996 505 741 02	cover	/L	1		38	900 144 182 09	tapping screw B 4,2 X 32		2	
	01C	satin black									
(17)	996 505 742 02	cover	/R	1				- - - E N D - - -			
	01C	satin black									
18	996 505 011 02	bumper reinforcement		1							
(18)	996 505 011 03	bumper reinforcement		1	M 215						
19	900 378 088 09	hexagon-head bolt M 12 X 100		2							
(20)	996 505 019 01	impact pipe		2							
20	996 505 015 00	impact absorber		2	M 058						
21	900 075 457 02	screw M 8 X 30		4							
22	996 505 775 00	desk pad		2							
23	996 505 531 01	retaining strip		1							
24	996 505 535 03	retaining strip	/L	1							
(24)	996 505 536 03	retaining strip	/R	1							
25	900 144 101 02	tapping screw ST 4,8 X 19		9							
26	999 209 045 09	spacer		9							
27	999 507 072 02	speed nut ST 4,8		X							
28	999 076 048 02	hexagon nut M 6		11							
29	996 701 105 00	support		1	M 211						
30	999 507 040 40	expander nut 4,2		X							

Model	Year	MG	SG	Illustration	Restrictions	Update	12:19	25.11.2005	PORSCHE	PET	PORSCHE
996t	05	8	02	802-02		194					

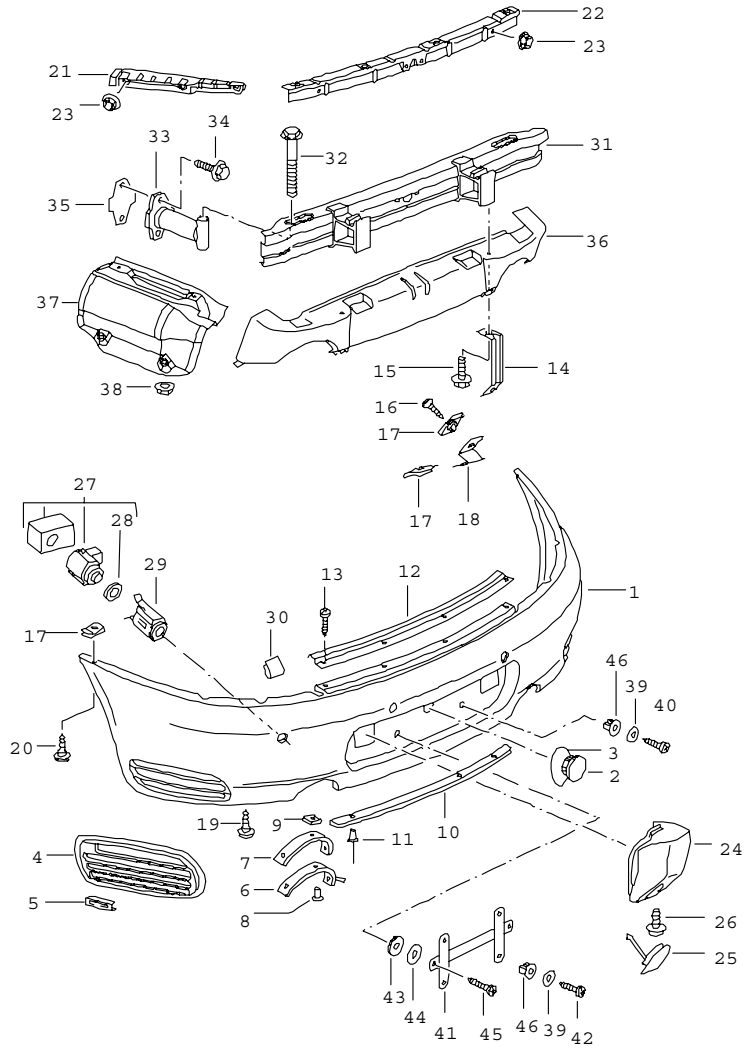


Pos	Part Number	Name	Remarks	Qty	Model
		bumper front			GT 2
1	K 996 505 311 30	lining		1	
		G2X prime coated			
-	K 999 507 258 02	speed nut		25	
-	K 900 623 012 07	screw M 5 X 16		6	
-	K 999 084 120 02	hexagon nut M 5		6	
2	964 505 103 00	cap		1	
		G2X prime coated			
3	999 651 225 40	safety rope		1	
4	K 996 505 563 30	air inlet	/L	1	
		01C satin black			
(4)	K 996 505 564 30	air inlet	/R	1	
		01C satin black			
5	K 996 505 561 30	air inlet		1	
		01C satin black			
6	999 507 751 02	u-clamp		X	
7	K 996 505 555 30	spoiler		1	
		01C satin black			
8	900 144 101 02	tapping screw ST 4,8 X 19		2	
9	999 507 072 02	speed nut ST 4,8		2	
10	K 996 575 326 30	frame	-03	1	
10	K 996 575 326 31	frame carbon	04-	1	
13	K 996 575 325 30	air duct		1	
16	996 505 539 03	bracket	/L	1	
(16)	996 505 540 03	bracket	/R	1	
17	K 996 505 741 30	cover	/L	1	

Model	Year	MG	SG	Illustration	Restrictions	Update	12:19	25.11.2005	PORSCHE	PET	PORSCHE
996t	05	8	02	802-02		194					

Pos	Part Number	Name	Remarks	Qty	Model	Pos	Part Number	Name	Remarks	Qty	Model
	01C	satin black				36	911 701 121 03	support		1	M 210
(17)	K 996 505 742 30	cover	/R	1		38	900 144 182 09	tapping screw B 4,2 X 32		2	
	01C	satin black				39	996 641 142 00	temperature sensor		1	
18	996 505 011 02	bumper reinforcement		1							
(18)	996 505 011 03	bumper reinforcement		1	M 215						
19	900 378 088 09	hexagon-head bolt M 12 X 100		2							
(20)	996 505 019 01	impact pipe		2							
20	996 505 015 00	impact absorber		2	M 058						
21	900 075 479 09	screw M 8 X 40		4							
(22)	996 505 773 32	spacer plate impact absorber with desk pad		2							
23	K 996 505 531 30	retaining strip		1							
24	996 505 535 03	retaining strip	/L	1							
(24)	996 505 536 03	retaining strip	/R	1							
25	900 144 101 02	tapping screw ST 4,8 X 19		9							
26	999 209 045 09	spacer		9							
27	999 507 072 02	speed nut ST 4,8		X							
28	999 076 048 02	hexagon nut M 6		11							
29	K 996 701 105 30	support		1	M 211						
30	999 507 040 40	expander nut 4,2		X							
31	999 073 080 02	tapping screw		X							
32	900 025 024 40	washer		X							
33	900 143 134 00	tapping screw B 4,2 X 9,5		X							
35	996 701 801 00	spacer	/L	1							
(35)	996 701 802 00	spacer	/R	1							

Model	Year	MG	SG	Illustration	Restrictions	Update	12:19	25.11.2005	PORSCHE	PET	PORSCHE
996t	05	8	02	802-05		194					

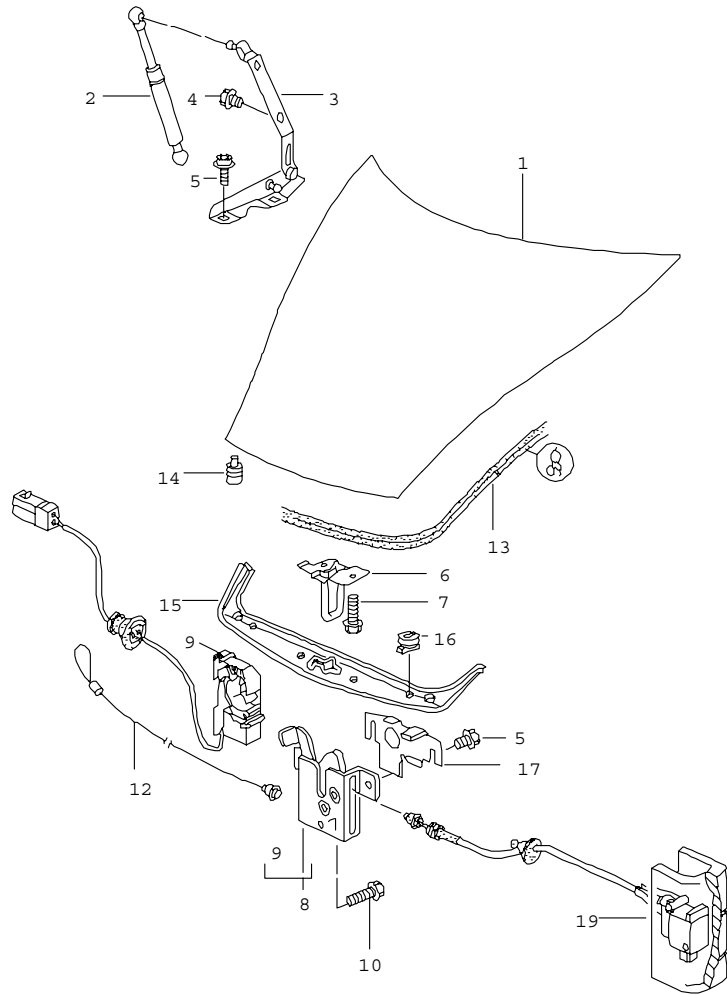


Pos	Part Number	Name	Remarks	Qty	Model
1	996 505 411 16	bumper rear		1	
	G2X	prime coated			
(1)	996 505 911 00	lining		1	M 635
	G2X	prime coated			
2	964 505 103 00	cap		1	
	G2X	prime coated			
3	999 651 225 40	safety rope		1	
4	996 505 663 00	ventilation grille	/L	1	
	01C	satin black			
(4)	996 505 664 00	ventilation grille	/R	1	
	01C	satin black			
5	999 507 696 00	u-clamp		24	
6	996 505 611 02	cover	/L	1	
(6)	996 505 612 02	cover	/R	1	
7	996 505 621 00	cover plate	/L	1	
(7)	996 505 622 00	cover plate	/R	1	
8	900 056 001 30	rivet 4 X 12		4	
9	999 166 051 08	clamping washer 4,0		6	
10	996 505 837 03	retaining strip		1	
11	999 190 104 30	blind rivet A 3,2 X 7,9		4	
12	996 505 833 02	rail		1	
13	900 144 101 02	tapping screw ST 4,8 X 19		4	
14	996 505 639 03	rear support		2	
15	999 075 056 09	screw M 6 X 22		2	
16	N 906 487 02	tapping screw ST 4,8 X 16		2	

Model	Year	MG	SG	Illustration	Restrictions	Update	12:19	25.11.2005	PORSCHE	PET	PORSCHE
996t	05	8	02	802-05		194					

Pos	Part Number	Name	Remarks	Qty	Model	Pos	Part Number	Name	Remarks	Qty	Model
17	999 507 072 02	speed nut ST 4,8		X		33	996 505 019 01	impact pipe		2	
18	996 505 649 00	bracket		2		(33)	996 505 015 00	impact absorber		2	M 058
19	999 073 062 02	tapping screw ST 4,8 X 19		2		34	900 075 457 02	hexagon-head bolt M 8 X 30		4	
20	999 073 227 09	tapping screw ST 4,8 X 19		6		35	993 505 775 00	seal		2	
21	996 505 635 00	retaining strip	/L	1		36	996 505 475 05	heat protection		1	
(21)	996 505 636 00	retaining strip	/R	1		37 A	996 505 477 02	heat protection	/L -02	1	
22	996 505 831 00	retaining strip centre		1		37	996 505 477 03	heat protection	/L	1	
23	999 076 048 02	hexagon nut M 6		9		(37) A	996 505 478 02	heat protection	/R -02	1	
24	996 505 425 01	buffer	/L	1	M 215	(37)	996 505 478 03	heat protection	/R	1	
	70C	rally black				38	999 049 025 09	collar nut		12	
(24)	996 505 426 01	buffer	/R	1	M 215	39	900 025 024 40	washer		X	
	70C	rally black				40	999 073 080 02	tapping screw ST 4,2 X 16		X	
25	996 505 403 00	cover		2	M 215	43	999 025 235 40	rubber washer		X	
	70C	rally black				46	999 507 040 40	expander nut ST 4,2		X	
26	900 067 271 09	screw		2	M 215			- - - E N D - - -			
27	000 043 204 56	sensor		4	M 635						
28	996 606 473 00	ring		4	M 635						
29	996 505 885 00	housing		2	M 635						
	G2X	prime coated inner									
(29)	996 505 887 00	housing		2	M 635						
	G2X	prime coated outer									
30	999 507 623 40	cable holder		4							
31	996 505 021 02	bumper reinforcement		1							
(31)	996 505 021 03	bumper reinforcement		1	M 215						
32	900 378 088 09	hexagon-head bolt M 12 X 100		2							

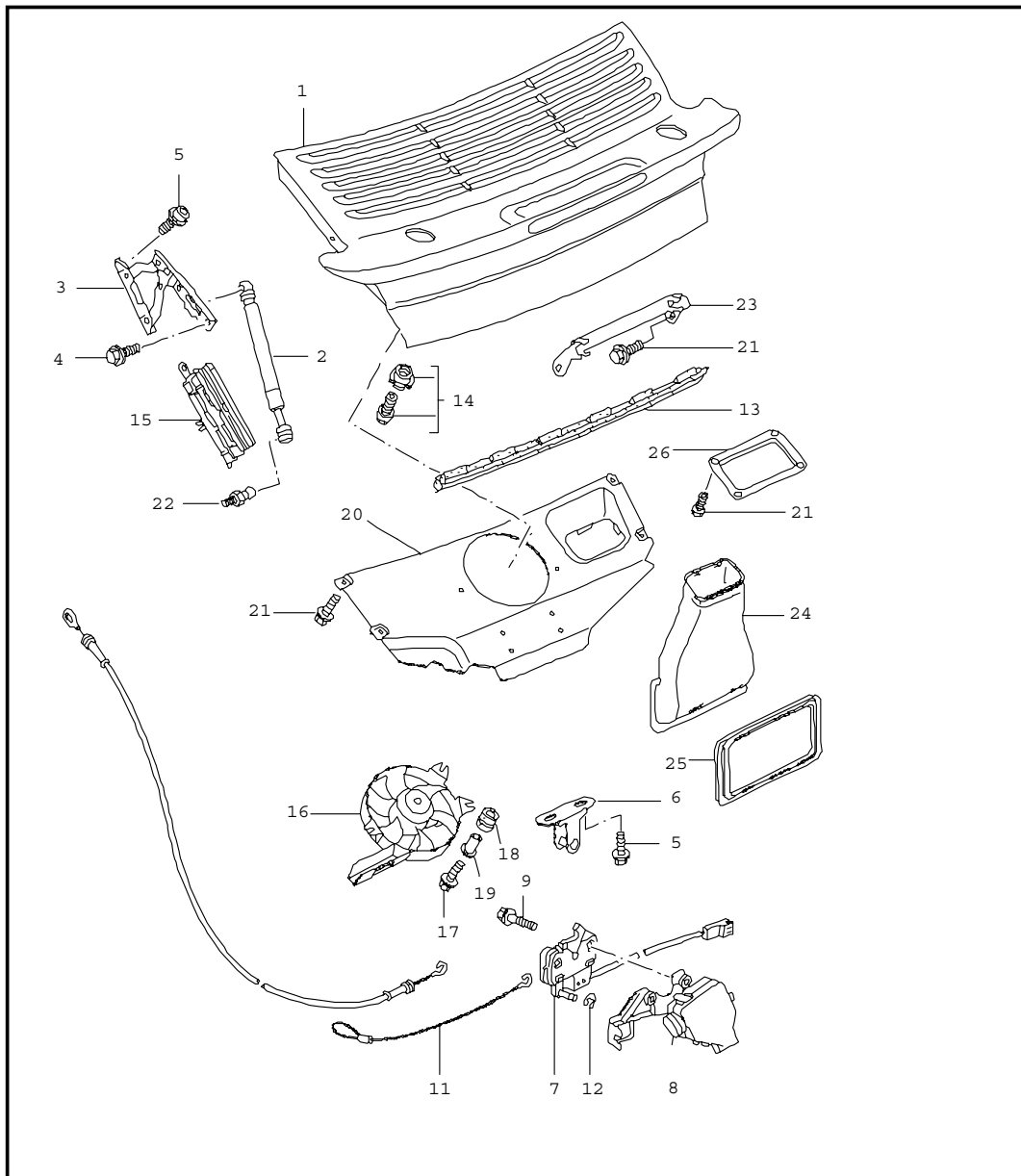
Model	Year	MG	SG	Illustration	Restrictions	Update	12:19	25.11.2005	PORSCHE	PET	PORSCHE
996t	05	8	03	803-00		194					



996.23 30-03-01

Pos	Part Number	Name	Remarks	Qty	Model
1	996 511 011 02	cover front		1	
	GRV	prime coated			
		use also:			
-	000 043 204 38	sealing material		1	
2	996 511 551 01	gas-filled strut		2	
3	996 511 151 01	hinge	/L	1	
(3)	996 511 152 01	hinge	/R	1	
4	900 378 036 09	hexagon-head bolt M 6 X 12		4	
5	900 075 466 09	screw M 6 X 16		6	
6	996 511 051 02	lock upper part		1	
7	900 378 173 09	hexagon-head bolt M 6 X 20		2	
8	996 511 053 02	lock lower part		1	
9	996 613 206 00	microswitch		1	
10	900 075 466 09	screw M 6 X 16		1	
12	996 511 521 00	emergency operation		1	
13	996 511 611 00	gasket		1	
14	999 703 140 40	buffer		2	
15	996 504 811 02	trim		1	
	01C	satin black			
16	999 590 036 40	catch		4	
	01C	satin black			
17	996 511 653 00	cover		1	
19	996 511 127 00	actuator		1	
		- - - E N D - - -			

Model	Year	MG	SG	Illustration	Restrictions	Update	12:20	25.11.2005	PORSCHE	PET	PORSCHE
996t	05	8	03	803-05		194					

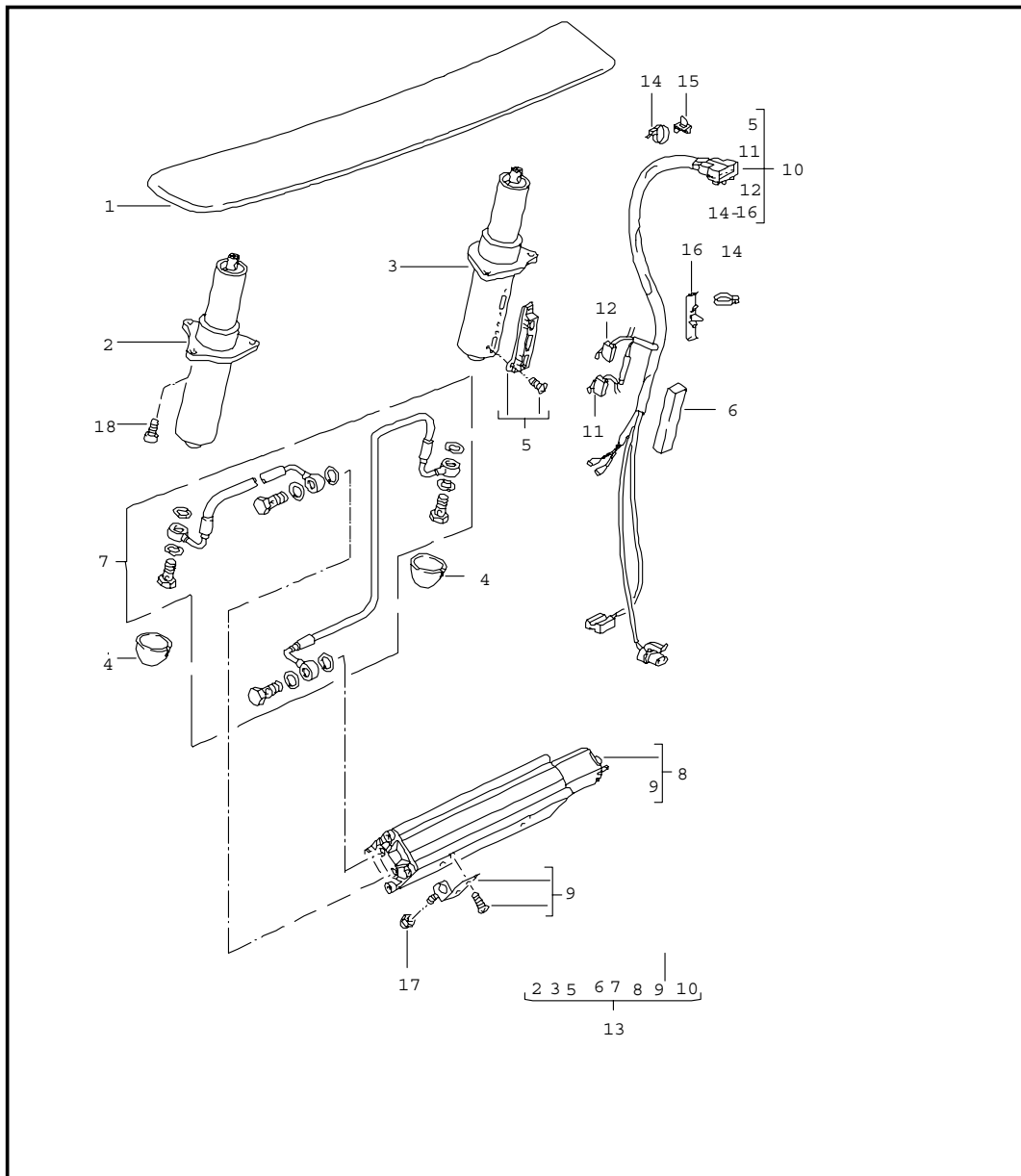


Pos	Part Number	Name	Remarks	Qty	Model
		cover rear			
1	996 512 921 00	cover prime coated		1	
2	996 512 551 03	gas-filled strut		2	
3	996 512 151 02	hinge	/L	1	
(3)	996 512 152 01	hinge	/R	1	
4	900 378 155 09	hexagon-head bolt M 6 X 16		4	
5	900 075 466 09	screw M 6 X 16		6	
6	996 512 213 00	lock upper part		1	
7	996 512 053 03	lock lower part		1	
(8)	996 512 055 00	actuator		1	
9	900 378 168 09	hexagon-head bolt M 6 X 30		2	
11	996 512 521 00	emergency operation		1	
12	900 116 002 02	lock washer \$ 3,2		1	
13	996 512 611 00	gasket lower		1	
(13)	996 512 711 00	gasket upper		1	CABRIO
-	000 043 157 00	cleaning agents 30 ML		X	
14	996 512 987 00	buffer		2	
15	996 610 230 00	cable holder		1	
16	996 624 036 04	blower		1	
17	900 378 030 09	hexagon-head bolt M 6 X 20		3	
18	999 703 451 40	rubber sleeve		3	
19	999 209 049 02	spacer sleeve		3	
20	996 512 543 00	bracket		1	
(20) K	996 512 543 30	bracket		1	GT2

Model	Year	MG	SG	Illustration	Restrictions	Update	12:20	25.11.2005	PORSCHE	PET	PORSCHE
996t	05	8	03	803-05		194					

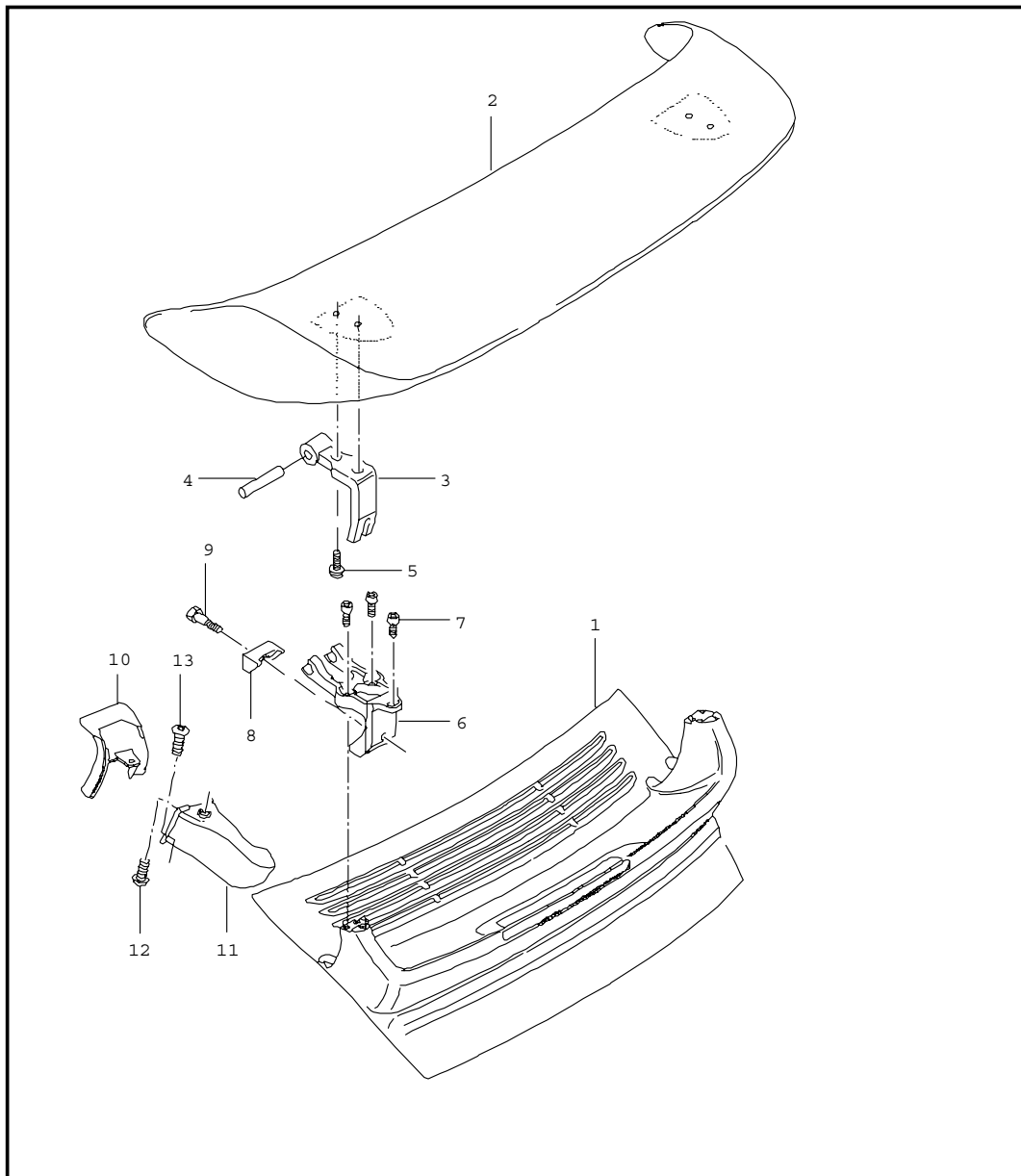
Pos	Part Number	Name	Remarks	Qty	Model	Pos	Part Number	Name	Remarks	Qty	Model
21	900 378 214 07	hexagon-head bolt M 6 X 18		X							
22	999 167 042 02	ball pin		1							
23	996 512 615 00	support		1							
24	996 110 141 71	intake manifold air cleaner		1							
25	996 110 143 70	gasket		1							
26	K 996 512 334 00	intake manifold air cleaner		1	GT2						
		- - - E N D - - -									

Model	Year	MG	SG	Illustration	Restrictions	Update	12:20	25.11.2005	PORSCHE	PET	PORSCHE
996t	05	8	03	803-07		194					



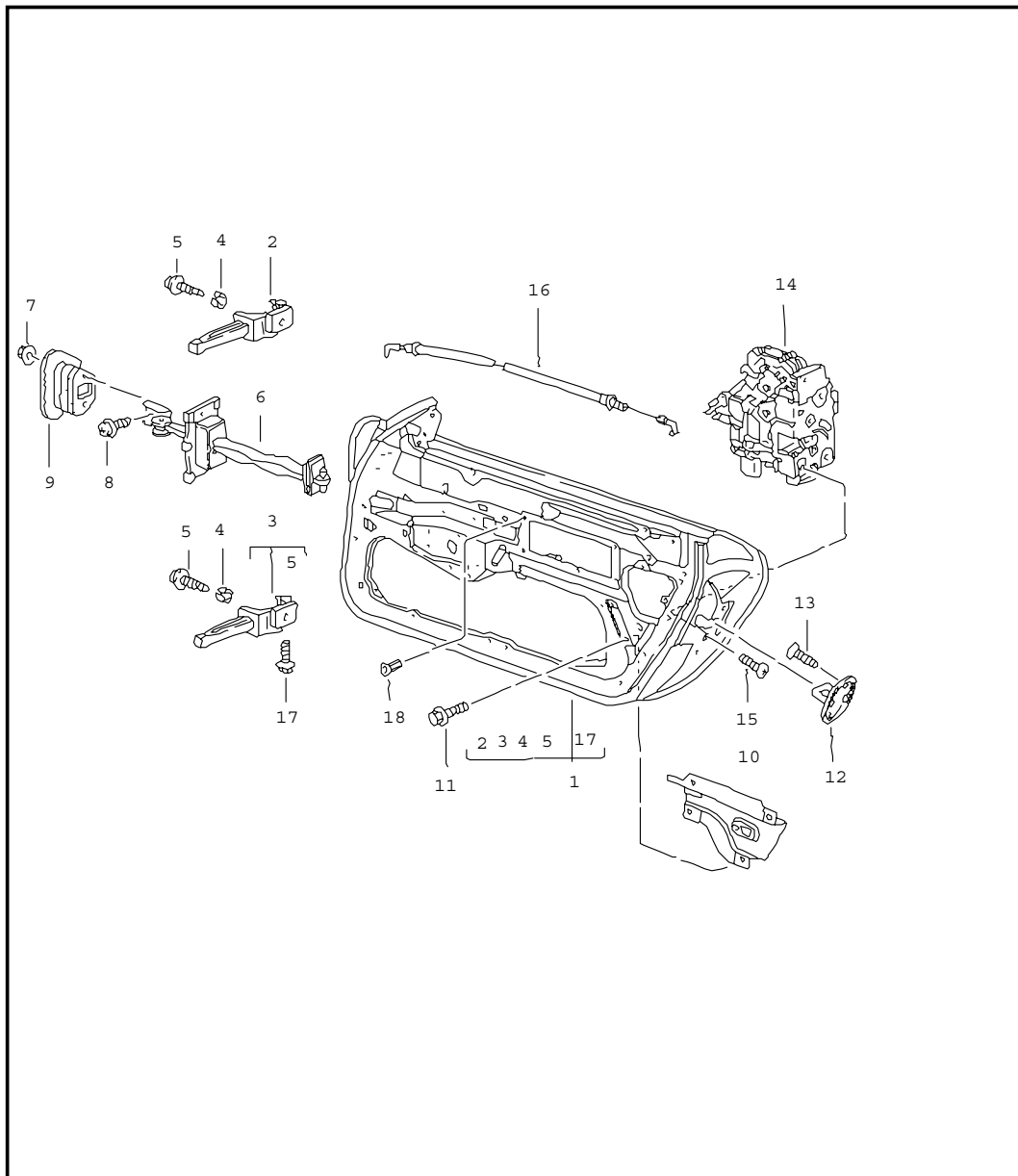
Pos	Part Number	Name	Remarks	Qty	Model
		rear spoiler			
1	996 512 961 00	spoiler		1	
2	996 512 951 01	hinge order also: POS. 7	/L	1	
3	996 512 952 01	hinge order also: POS. 7	/R	1	
4	996 512 617 00	cap		2	
5	996 512 918 00	support		1	
6	996 613 248 00	cap		1	
7	996 512 916 00	lines		1	
8	996 512 943 01	pump order also: POS. 7		1	
9	996 512 917 00	support		4	
10	996 612 070 20	wiring harness		1	
11	996 613 167 00	microswitch order also: POS. 5		1	
12	996 613 171 00	microswitch order also: POS. 5		1	
13	996 512 241 01	driving mechanism		1	
17	999 084 454 07	cap nut M 6		4	
18	900 067 273 09	screw M 6 X 16		6	
		- - - E N D - - -			

Model	Year	MG	SG	Illustration	Restrictions	Update	12:20	25.11.2005	PORSCHE	PET	PORSCHE
996t	05	8	03	803-08		194					



Pos	Part Number	Name	Remarks	Qty	Model
		rear spoiler			GT2
1	K 996 512 221 30	cover		1	
	G2X	prime coated			
2	K 996 512 261 30	spoiler	-03	1	
	G2X	prime coated			
(2)	K 996 512 261 31	spoiler carbon	04-	1	
3	K 996 512 262 00	hinge		2	
4	K 996 512 263 00	bolt		2	
5	999 510 021 02	pan-head screw M6X22		4	
6	K 996 512 222 00	hinge		2	
7	K 900 119 026 02	pan-head screw M 6 X 16		2	
8	K 996 512 226 00	clamping piece		2	
9	K 996 512 225 00	bolt		2	
10	K 996 512 321 01	air box	/L	1	
	G2X	prime coated			
(10)	K 996 512 322 01	air box	/R	1	
	G2X	prime coated			
11	K 996 512 331 00	air duct	/L	1	
(11)	K 996 512 332 00	air duct	/R	1	
12	K 999 015 026 A2	round head screw M 6 X 16		2	
13	999 015 026 A2	round head screw M 6 X 16		2	
14	K 900 119 014 02	pan-head screw M 6 X 20		4	
		- - - E N D - - -			

Model	Year	MG	SG	Illustration	Restrictions	Update	12:20	25.11.2005	PORSCHE	PET	PORSCHE
996t	05	8	04	804-00		194					

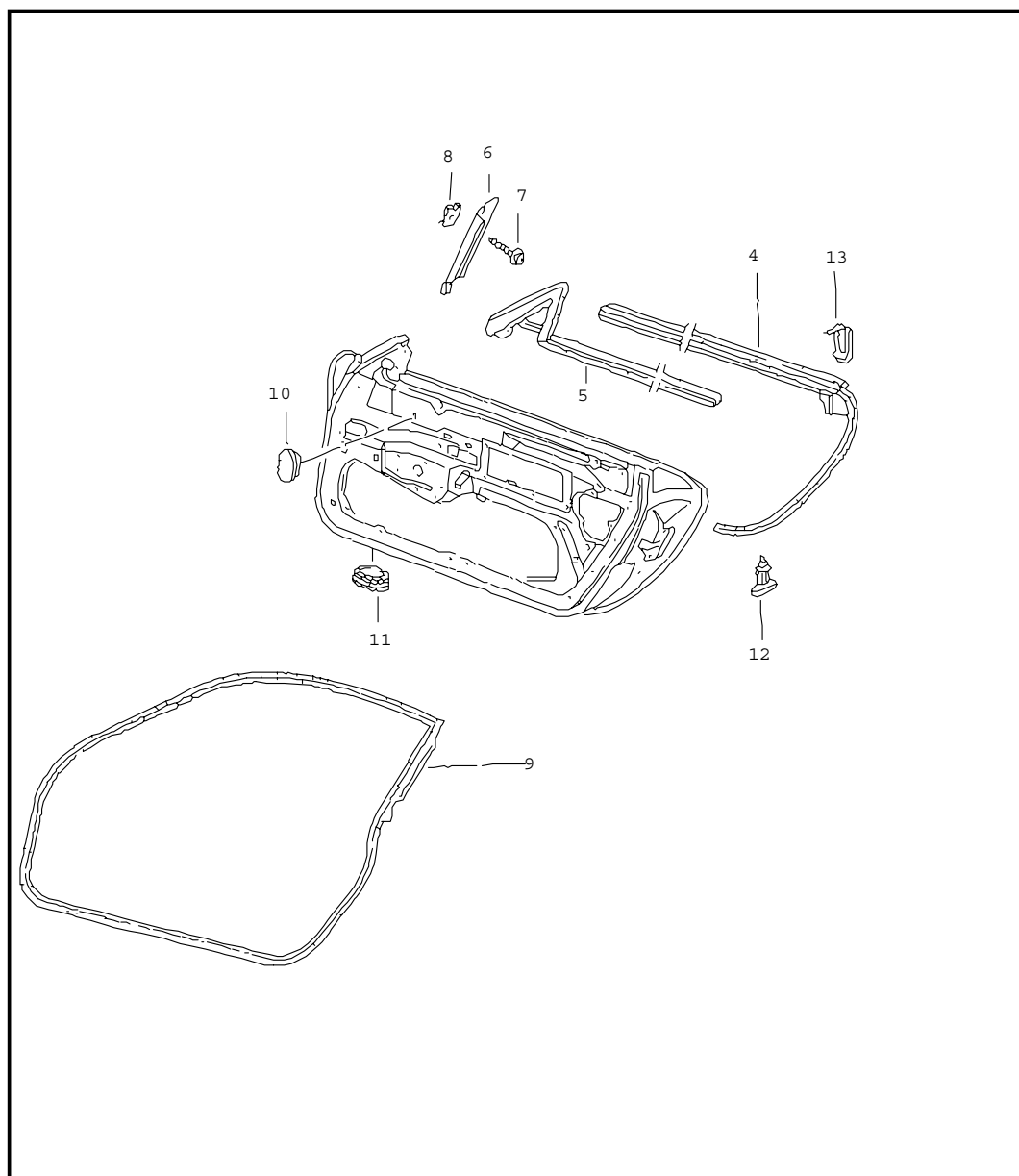


Pos	Part Number	Name	Remarks	Qty	Model
		door in white installation parts door lock			
(1)	A 996 531 011 04	door in white	/L	1	
	GRV	prime coated use also: POS.17 see technical information group 5 4/00			
(1)	996 531 011 05	door in white	/L	1	
	GRV	prime coated use also: POS.17 see technical information group 5 4/00			
1	A 996 531 012 04	door in white	/R	1	
	GRV	prime coated use also: POS.17 see technical information group 5 4/00			
1	996 531 012 05	door in white	/R	1	
	GRV	prime coated use also: POS.17 see technical information group 5 4/00			
-	000 043 204 38	sealing material		1	
(2)	996 531 321 04	hinge	/L	1	
2	996 531 322 04	hinge	/R	1	
(3)	996 531 319 03	hinge	/L	1	
3	996 531 320 03	hinge	/R	1	
4	996 531 831 00	sleeve		4	
5	999 073 192 02	pan-head screw M 8 X 33		2	
6	996 537 151 02	door arrester		2	

Model	Year	MG	SG	Illustration	Restrictions	Update	12:20	25.11.2005	PORSCHE	PET	PORSCHE
996t	05	8	04	804-00		194					

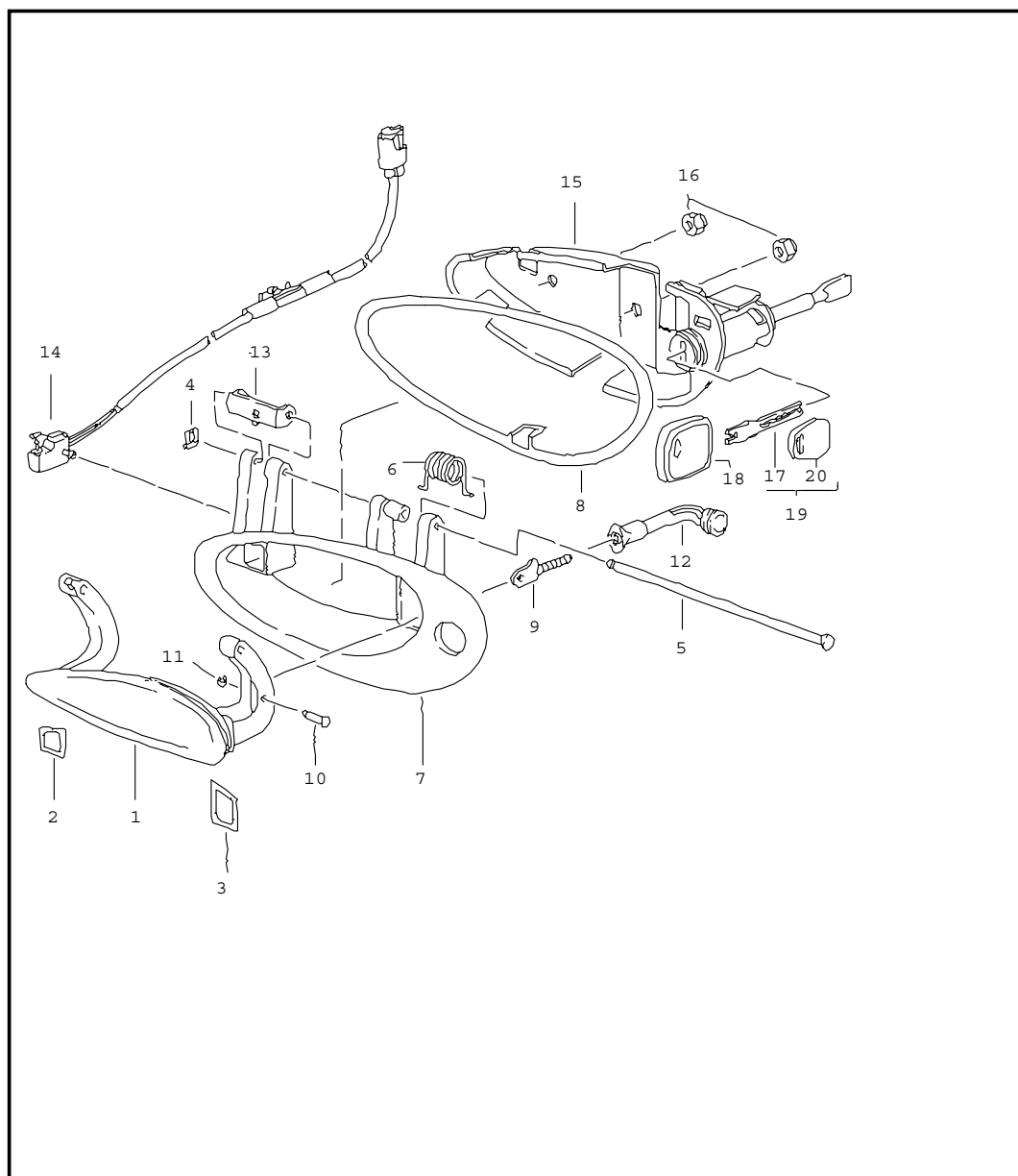
Pos	Part Number	Name	Remarks	Qty	Model	Pos	Part Number	Name	Remarks	Qty	Model
7	999 084 212 02	nut M 6		4				- - - E N D - - -			
8	999 073 138 09	screw M 8 X 25		2							
9	996 537 751 00	seal		2							
(10)	996 537 523 00	bracket	/L	1							
	GRV	prime coated									
10	996 537 524 00	bracket	/R	1							
	GRV	prime coated									
11	900 075 487 09	screw M 6 X 16		10							
12	3B0 837 033 P	end plate		2							
13	N 907 985 02	countersunk-head screw M 8 X 16,5		4							
(14) A	8N1 837 015	door lock	/LL/L-01	1							
(14)	8N1 837 015 B	door lock	/LL/L	1							
14 A	8N1 837 016	door lock	/LL/R-01	1							
14	8N1 837 016 B	door lock	/LL/R	1							
(14)	3B1 837 016 M	door lock	/LL/R	1	M 534/M 535						
(14) A	8N2 837 015	door lock	/RL/L-01	1							
(14)	8N2 837 015 B	door lock	/RL/L	1							
(14)	3B2 837 015 F	door lock	/RL/L	1	M 534/M 535						
(14) A	8N2 837 016	door lock	/RL/R-01	1							
(14)	8N2 837 016 B	door lock	/RL/R	1							
15	N 908 005 01	screw M 8 X 14		4							
16	996 537 320 03	bowden cable see technical information group 5 5/98		2							
17	999 072 043 09	hexagon-head bolt M 6 X 12 micro-self-locking		4							
18	999 500 066 02	blind rivet nut M 6/0,5 - 3		6	M 563						

Model	Year	MG	SG	Illustration	Restrictions	Update	12:20	25.11.2005	PORSCHE	PET	PORSCHE
996t	05	8	04	804-10		194					



Pos	Part Number	Name	Remarks	Qty	Model
		door seal			
(4)	996 537 085 07	gasket outer	/L	1	
4	996 537 086 07	gasket outer	/R	1	
(5)	996 537 531 06	sealing for door slot inner	/L	1	
5	996 537 532 06	sealing for door slot inner	/R	1	
(6) A	996 537 725 01	window guide	/L -02	1	
(6)	996 537 725 02	window guide	/L	1	
6 A	996 537 726 01	window guide	/R -02	1	
6	996 537 726 02	window guide	/R	1	
7	999 073 047 02	tapping screw ST 3,5 X 9,5		2	
8	999 591 725 02	speed nut ST 3,5		2	
(9)	996 537 075 03	gasket	/L	1	
9	996 537 076 03	gasket	/R	1	
10	999 703 441 40	cover 20 X 28 X 1		4	
11	999 703 417 40	cover 24 X 39		8	
12	999 507 578 40	clip gasket outer		36	
13	999 507 571 02	clamp		2	
- - - E N D - - -					

Model	Year	MG	SG	Illustration	Restrictions	Update	12:21	25.11.2005	PORSCHE	PET	PORSCHE
996t	05	8	04	804-20		194					

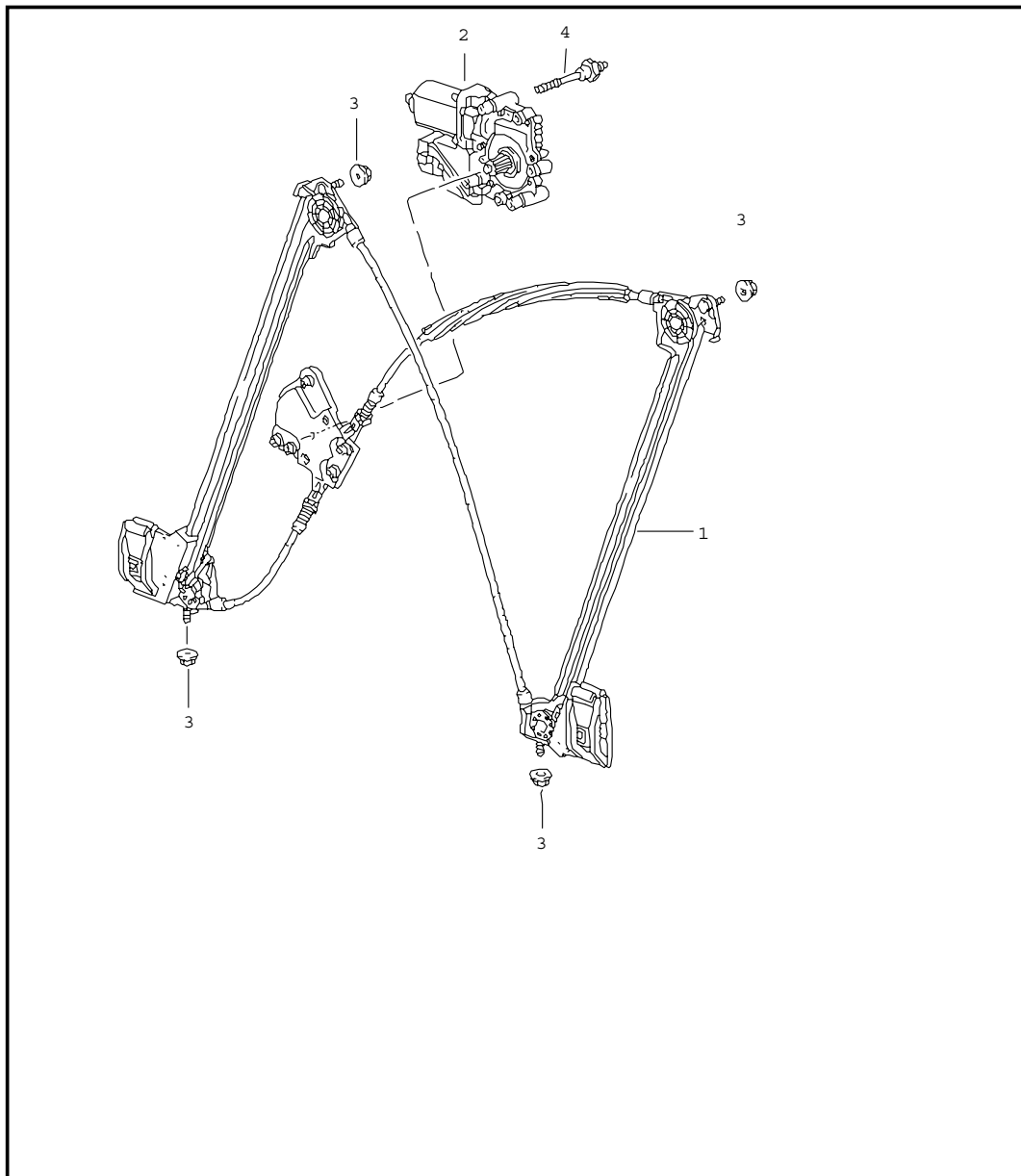


Pos	Part Number	Name	Remarks	Qty	Model
1	996 537 613 01	door handle handle	/L	1	
	G2X	prime coated			
(1)	996 537 614 01	door handle handle	/R	1	
	G2X	prime coated			
2	996 537 623 01	buffer		2	
3	996 537 625 00	buffer		2	
4	996 537 631 00	sl-lock		2	
5	996 537 621 00	axle		2	
6	996 537 611 00	return spring	/L	1	
(6)	996 537 612 00	return spring	/R	1	
7	996 537 645 01	handle liner	/LL/L	1	
	G2X	prime coated			
(7)	996 537 645 01	handle liner	/RL/L	1	M 532
	G2X	prime coated			
(7)	996 537 647 01	handle liner	/RL/L	1	M 534/M 535
	G2X	prime coated			
(7)	996 537 646 01	handle liner	/LL/R	1	M 532
	G2X	prime coated			
(7)	996 537 646 01	handle liner	/RL/R	1	
	G2X	prime coated			
(7)	996 537 648 01	handle liner	/LL/R	1	M 534/M 535
	G2X	prime coated			
8	996 537 637 00	desk pad	/L	1	
(8)	996 537 638 00	desk pad	/R	1	
9	996 537 627 00	control shaft		2	
10	996 537 629 01	bolt		2	
11	996 537 641 00	lock washer		2	
12	996 537 445 02	connecting piece		2	

Model	Year	MG	SG	Illustration	Restrictions	Update	12:21	25.11.2005	PORSCHE	PET	PORSCHE
996t	05	8	04	804-20		194					

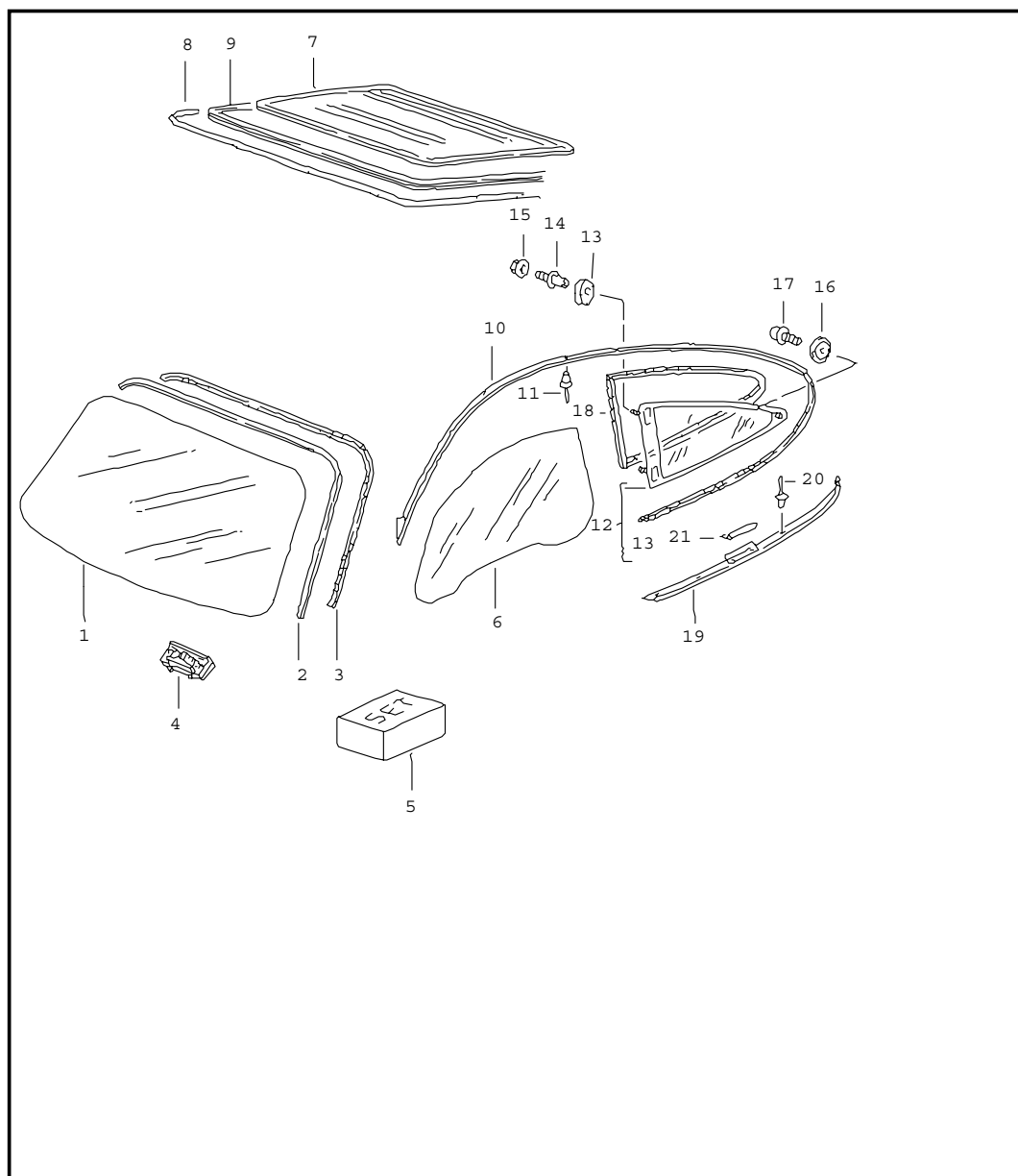
Pos	Part Number	Name	Remarks	Qty	Model	Pos	Part Number	Name	Remarks	Qty	Model
13	996 537 653 00	eccentric	/L	1							
(13)	996 537 654 00	eccentric	/R	1							
14	996 613 125 00	microswitch power windows	/L	1							
(14)	996 613 126 00	microswitch power windows	/R	1							
15	996 537 963 02	support with lock cylinder w/o stipulated lock number	/L	1							
(15)	996 537 964 02	support with lock cylinder w/o stipulated lock number	/R	1							
15	996 537 963 03	support with lock cylinder with stipulated lock-no. state lock number	/L	1							
(15)	996 537 964 03	support with lock cylinder with stipulated lock-no. state lock number	/R	1							
(15)	996 537 063 03	support without lock cylinder	/RL/L	1							
(15)	996 537 064 03	support without lock cylinder	/LL/R	1							
16	900 380 015 09	nut M 6		4							
17	996 538 531 00	blank key		X							
18	996 538 423 01	key cap		X							
19	996 538 932 00	replacement key with stipulated lock-no. state lock number		X							
20	944 538 431 00	key cap		X							
		- - - E N D - - -									

Model	Year	MG	SG	Illustration	Restrictions	Update	12:21	25.11.2005	PORSCHE	PET	PORSCHE
996t	05	8	04	804-30		194					



Pos	Part Number	Name	Remarks	Qty	Model
		power windows			
(1)	996 542 075 04	power windows	/L	1	
1	996 542 076 04	power windows	/R	1	
(2)	996 624 101 05	electric motor	/L	1	COUPE
2	996 624 102 05	electric motor	/R	1	COUPE
2	996 624 101 06	electric motor	/L	1	CABRIO
2	996 624 102 06	electric motor	/R	1	CABRIO
3	900 380 015 09	nut M 6		14	
4	996 542 711 00	threaded bolt		6	
		- - - E N D - - -			

Model	Year	MG	SG	Illustration	Restrictions	Update	12:21	25.11.2005	PORSCHE	PET	PORSCHE
996t	05	8	05	805-00		194					



Pos	Part Number	Name	Remarks	Qty	Model
		windows			
1	996 541 901 00	windscreen tinted		1	
1	996 541 901 04	windscreen tinted	02-	1	GT2
1	996 541 901 02	windscreen tinted	-01	1	M 265
1	996 541 901 06	windscreen tinted	02-	1	M 265
(1)	996 541 901 01	windscreen tinted upper part: dark green	-01	1	
(1)	996 541 901 05	windscreen tinted upper part: dark green	02-	1	GT2
(1)	996 541 901 03	windscreen tinted upper part: dark green	-01	1	M 265
(1)	996 541 901 07	windscreen tinted upper part: dark green	02-	1	M 265
(1)	996 541 901 10	windscreen tinted	03-	1	M 440/M 265
(1)	996 541 901 11	windscreen tinted upper part: dark green	03-	1	M 440/M 265
2	996 541 531 01	sealing frame		1	
3	996 541 541 01	trim frame	-01	1	
3	996 541 541 02	trim frame	02-	1	
4	999 507 576 41	support		2	
5	000 043 300 94	adhesive set		1	
-	000 731 513 00	adhesive plate for interior mirror		1	
6	996 542 511 02	door glass	/L	1	COUPE
(6)	996 542 512 02	door glass	/R	1	COUPE
(6)	996 542 511 03	door glass	/L	1	CABRIO
(6)	996 542 512 03	door glass	/R	1	CABRIO

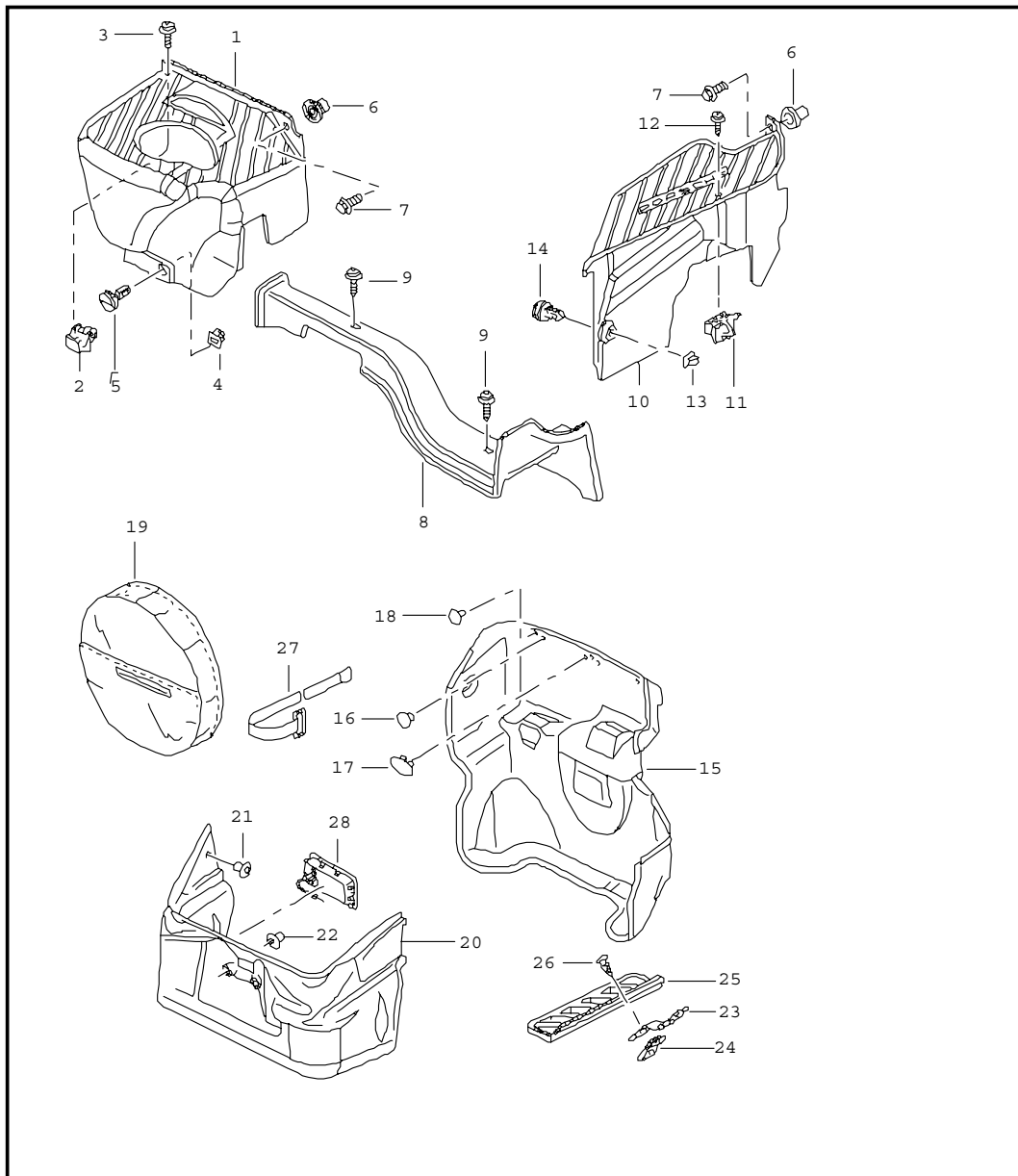
Model	Year	MG	SG	Illustration	Restrictions	Update	12:21	25.11.2005	PORSCHE	PET	PORSCHE
996t	05	8	05	805-00		194					

Pos	Part Number	Name	Remarks	Qty	Model	Pos	Part Number	Name	Remarks	Qty	Model
7	996 545 901 02	rear window		1							
8	A 996 545 521 03	sealing frame		1							
8	996 545 521 04	sealing frame		1							
9	996 545 545 01	trim frame	-01	1							
9	996 545 545 02	trim frame	02-	1							
10	996 537 481 08	roof frame seal	/L	1							
(10)	996 537 482 08	roof frame seal	/R	1							
11	999 190 445 37	blind rivet A 4,0 X 7,9		26							
12	996 543 111 03	rear glass	/L	1							
(12)	996 543 112 03	rear glass	/R	1							
13	996 543 611 02	gasket		4							
14	996 543 435 00	threaded bush		4							
15	999 076 055 09	lock nut M 8		4							
16	996 543 625 00	sealing washer		2							
17	999 218 011 02	pan-head screw M 6 X 12		2							
18	996 543 325 00	sealing frame	/L	1							
(18)	996 543 326 00	sealing frame	/R	1							
19	996 543 771 08	retaining strip	/L	1							
(19)	996 543 772 08	retaining strip	/R	1							
20	999 190 445 37	blind rivet A 4,0 X 7,9		12							
21	996 543 543 01	spacer		2							
- - - E N D - - -											

Model	Year	MG	SG	Illustration	Restrictions	Update	12:21	25.11.2005
996t	05	8	05	805-05		194		

Pos	Part Number	Name	Remarks	Qty	Model
		rear glass			CABRIO
1	996 543 111 09	rear glass	/L	1	
(1)	996 543 112 09	rear glass	/R	1	
2	996 543 615 03	gasket	/L	1	
(2)	996 543 616 03	gasket	/R	1	
3	996 543 475 04	gasket outer	/L	1	
(3)	996 543 476 04	gasket outer	/R	1	
4	996 543 177 01	gasket inner	/L	1	
(4)	996 543 178 01	gasket inner	/R	1	
5	900 378 036 09	hexagon-head bolt M 6 X 12		4	
6	996 543 015 05	power windows	/L	1	
(6)	996 543 016 05	power windows	/R	1	
7	996 543 901 00	insert		4	
8	996 543 903 00	bolt upper		4	
9	996 543 905 00	bolt lower		2	
- - - E N D - - -					

Model	Year	MG	SG	Illustration	Restrictions	Update	12:22	25.11.2005	PORSCHE	PET	PORSCHE
996t	05	8	07	807-00		194					



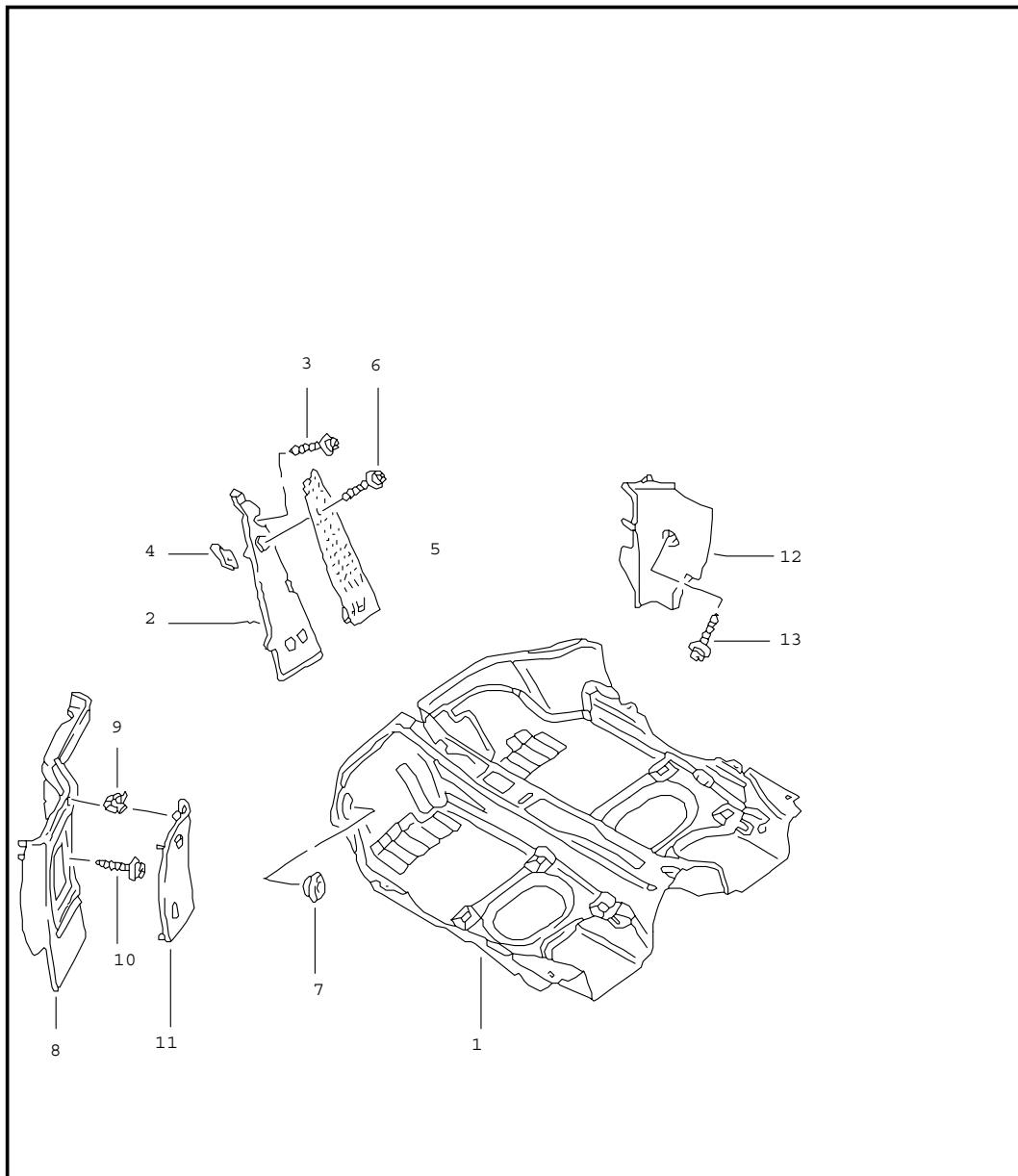
Pos	Part Number	Name	Remarks	Qty	Model
		luggage compartment			
(1)	996 551 134 00	lining	/RL/R	1	M 339
	01C	satin black			
(1)	996 551 131 02	lining brake booster	/LL/L	1	M 339
	01C	satin black			
2	999 507 512 40	support 3,5		1	
3	999 073 050 02	oval-head screw 3,5 X 19		1	
4	999 590 046 40	disc cam 10,0 X 11,5		1	
5	999 507 529 40	catch 18,0		1	
6	999 500 078 00	nut M 6	/RL	3	
7	900 378 035 09	hexagon-head bolt M 6 X 16	/RL	3	
9	999 073 050 02	screw 3,5 X 19		3	
(10)	996 551 133 03	lining hydraulic unit	/RL/L	1	M 339
	01C	satin black			
11	999 507 512 40	support	/RL	5	
11	999 507 512 40	support 3,5	/LL	3	
(11)	996 551 773 00	support		1	M 339
12	999 073 050 02	oval-head screw	/RL	6	
12	999 073 050 02	oval-head screw 3,5 X 19	/LL	3	
13	999 590 046 40	disc cam	/RL	3	
13	999 590 046 40	disc cam 10,0 X 11,5	/LL	3	
14	999 507 529 40	catch 18,0		2	

Model	Year	MG	SG	Illustration	Restrictions	Update	12:22	25.11.2005	PORSCHE	PET	PORSCHE
996t	05	8	07	807-00		194					

Pos	Part Number	Name	Remarks	Qty	Model	Pos	Part Number	Name	Remarks	Qty	Model
(15)	996 551 051 09	lining luggage compartment	/LL/H 00	1	M 339	(20)	A 996 551 045 05	lining	/V 02	1	GT2
	C10	grey					A31	black			
(15)	996 551 051 10	lining luggage compartment	/RL/H 00	1	M 339	(20)	996 551 045 10	lining	/V 02-	1	M 339
	C10	grey					A31	black			
(15)	A 996 551 051 20	lining luggage compartment	/LL -02	1	M 339	(20)	996 551 045 10	lining	/V 02-	1	GT2
	A31	black				--	996 551 845 00	adhesive carpet		1	
(15)	996 551 051 22	lining luggage compartment	/LL 03-	1	M 339	21	999 703 432 40	plug 8,0		2	
	A31	black				22	999 507 565 40	plastic nut T5/ 24,15		2	
(15)	996 551 051 21	lining luggage compartment	/RL 01-	1	M 339	(22)	999 507 566 40	plastic nut T5/ 39,70		1	
	A31	black				23	996 551 761 00	support	/LL -02	1	M 339
16	999 703 432 40	plug 8,0 12,2 X 25		4		23	996 551 761 01	support cover booster	/LL 03-	1	M 339
17	999 703 456 40	cap 49 X 26 12,2 X 25		1		24	999 591 725 02	speed nut 3,5		1	M 339
18	999 703 455 40	cap 12,2 X 25		2		25	996 551 451 00	cover booster		1	M 339
--	996 551 351 03	lining floor	01	1	M 339		01C	satin black			
--	996 551 351 04	lining floor	02-	1	M 339	26	900 144 103 09	tapping screw 3,5 X 13		1	
	A31	black									
(20)	996 551 045 07	lining	/V 01	1	M 339						
	A31	black									
(20)	996 551 045 07	lining	/V 01	1	GT2						
	A31	black									
(20)	A 996 551 045 05	lining	/V 02	1	M 339						
	A31	black									

- - - E N D - - -

Model	Year	MG	SG	Illustration	Restrictions	Update	12:22	25.11.2005	PORSCHE	PET	PORSCHE
996t	05	8	07	807-02		194					



Pos	Part Number	Name	Remarks	Qty	Model
1	996 551 011 02	carpet linings carpet EEW black EEX graphite grey EYY savanna FAR nephrite green EFC boxster red EEZ metropole blue VRL dark grey VRM brown/natural FAP cinnamon brown	/LL -03	1	
(1)	996 551 011 03	carpet EEW black EEX graphite grey EYY savanna FAR nephrite green EFC boxster red EEZ metropole blue VRL dark grey VRM brown/natural FAP cinnamon brown	/RL -03	1	
(1)	996 551 011 06	carpet EEW black EEX graphite grey EYY savanna EFC boxster red EEZ metropole blue VRL dark grey VRM brown/natural	/LL 04-	1	CABRIO/I680

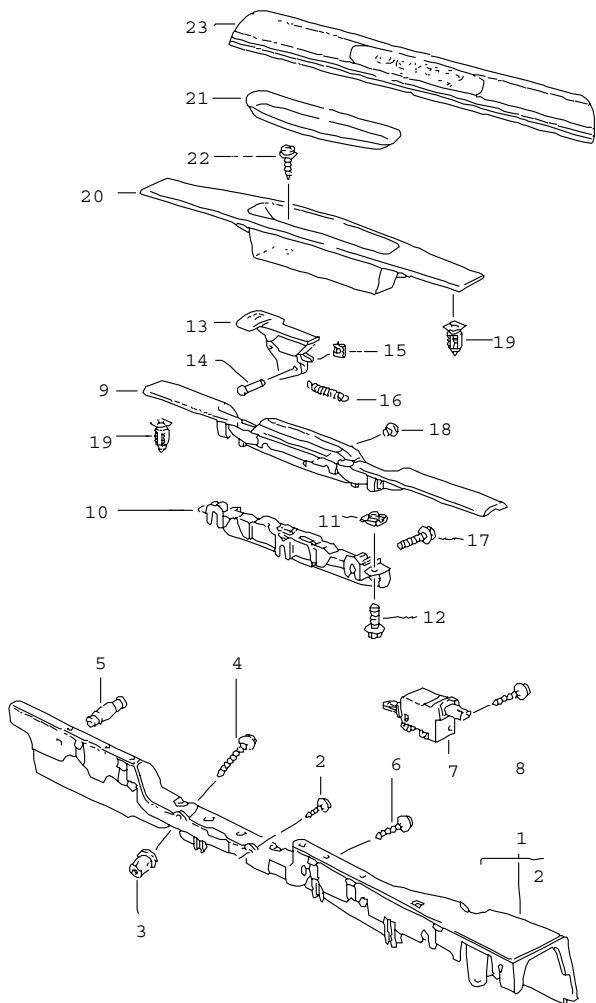
Model	Year	MG	SG	Illustration	Restrictions	Update	12:22	25.11.2005	PORSCHE	PET	PORSCHE
996t	05	8	07	807-02		194					

Pos	Part Number	Name	Remarks	Qty	Model	Pos	Part Number	Name	Remarks	Qty	Model
	FAP	cinnamon brown				7	803 803 583 A	cover 20,0 X 30,0		2	
(1)	996 551 011 07	carpet	/RL 04-	1	CABRIO/I680	8	996 551 101 00	lining carpet	/LL	1	
	EEW	black					EAQ	black			
	EEX	graphite grey					EAR	graphite grey			
	EEY	savanna					EAS	savanna			
	EFC	boxster red					EAT	nephrite green			
	EEZ	metropole blue					EAU	boxster red			
	VRL	dark grey					EBU	metropole blue			
	VRM	brown/natural					VRN	dark grey			
	FAP	cinnamon brown					VRO	brown/natural			
1	996 551 011 92	carpet	/LL 01-	1	M 003 GT2		FBZ	cinnamon brown			
	EEW	black				(8)	996 551 102 00	lining carpet	/RL	1	
1	996 551 011 93	carpet	/RL 01-	1	M 003 GT2		EAQ	black			
	EEW	black					EAR	graphite grey			
-	996 551 813 00	protective film	/LL	1			EAS	savanna			
-	996 551 815 00	protective film carpet	/RL	1			EAT	nephrite green			
2	996 551 211 00	foot support	/LL	1			EAU	boxster red			
(2)	996 551 212 00	foot support	/RL	1			EBU	metropole blue			
3	999 073 061 02	tapping screw 4,8 X 16		2			VRN	dark grey			
(3)	900 143 155 09	tapping screw 4,8 X 32	/RL	1			VRO	brown/natural			
							FBZ	cinnamon brown			
4	999 591 485 02	speed nut 4,8	/RL	2		9	999 507 552 02	spring clamp 9,0 X 13		2	
5	996 551 611 00	cover	/LL	1		10	999 919 161 09	oval-head screw 5,0 X 18		4	
(5)	996 551 612 00	cover foot support	/RL	1		11	996 551 621 00	cover	/LL	1	
6	999 919 161 09	oval-head screw 5,0 X 18		2			01C	satin black			
(6)	900 143 155 02	oval-head screw 4,8 X 32	/RL	1		(11)	996 551 622 00	cover	/RL	1	
							01C	satin black			

Model	Year	MG	SG	Illustration	Restrictions	Update	12:22	25.11.2005	PORSCHE	PET	PORSCHE
996t	05	8	07	807-02		194					

Pos	Part Number	Name	Remarks	Qty	Model	Pos	Part Number	Name	Remarks	Qty	Model
12	996 551 712 01	support carpet	/LL/R	1							
(12)	996 551 711 00	support carpet	/RL/L	1							
13	999 073 226 09	tapping screw 4,2 X 16		1							
- - - E N D - - -											

Model	Year	MG	SG	Illustration	Restrictions	Update	12:22	25.11.2005	PORSCHE	PET	PORSCHE
996t	05	8	07	807-03		194					



Pos	Part Number	Name	Remarks	Qty	Model
		lining door sill			
1	996 551 619 01	support	/L	1	
(1)	996 551 620 01	support	/R	1	
-	999 551 140 40	felt strip		2	
2	900 143 082 02	tapping screw 6,3 X 13		4	
3	999 500 078 00	nut M 6		2	
(3)	999 049 022 40	plastic nut		2	
4	900 378 029 09	hexagon-head tapping screw M 6 X 40		2	
5	996 551 873 00	locating peg		2	
6	999 919 121 09	oval-head screw 5,0 X 16		2	
(9)	996 551 019 20	lining complete lacquered	/LL 01	1	
	A03	black			
(9)	996 551 019 28	lining complete lacquered	/LL 02-	1	
	A03	black			
(9)	996 551 019 22	lining complete lacquered	/LL 01	1	M 537
	A03	black			
(9)	996 551 019 30	lining complete lacquered	/LL 02-	1	M 537
	A03	black			
(9)	996 551 019 21	lining complete lacquered	/RL 01	1	
	A03	black			
(9)	996 551 019 29	lining complete lacquered	/RL 02-	1	

Model	Year	MG	SG	Illustration	Restrictions	Update	12:22	25.11.2005	PORSCHE	PET	PORSCHE
996t	05	8	07	807-03		194					

Pos	Part Number	Name	Remarks	Qty	Model	Pos	Part Number	Name	Remarks	Qty	Model
(9)	996 551 019 23	A03 black lining complete lacquered	/RL 01	1	M 538	(9)	996 551 980 22	lining complete leather		1	XTG/537
(9)	996 551 019 31	A03 black lining complete lacquered	/RL 02-	1	M 538		A11 black				
(9)	996 551 980 20	A03 black lining complete leather	/LL 01	1	XTG		C51 graphite grey				
		A11 black					S31 savanna				
		C51 graphite grey					G11 metropole blue				
		S31 savanna					J31 nephrite green				
		G11 metropole blue					M31 boxer red				
		J31 nephrite green					P12 cinnamon brown				
		M31 boxer red					D12 dark grey/natural				
		P12 cinnamon brown					T12 brown/natural				
		D12 dark grey/natural				(9)	996 551 980 23	lining complete leather		1	XTG/538
		T12 brown/natural					A11 black				
(9)	996 551 980 21	lining complete leather	/RL 01	1	XTG		C51 graphite grey				
		A11 black					S31 savanna				
		C51 graphite grey					G11 metropole blue				
		S31 savanna					J31 nephrite green				
		G11 metropole blue					M31 boxer red				
		J31 nephrite green					P12 cinnamon brown				
		M31 boxer red					D12 dark grey/natural				
		P12 cinnamon brown					T12 brown/natural				
		D12 dark grey/natural				(9)	996 551 980 28	lining leather complete	/LL 02-	1	XTG
		T12 brown/natural					VRK black				
							C51 graphite grey				
							S31 savanna				
							G11 metropole blue				
							J31 nephrite green				

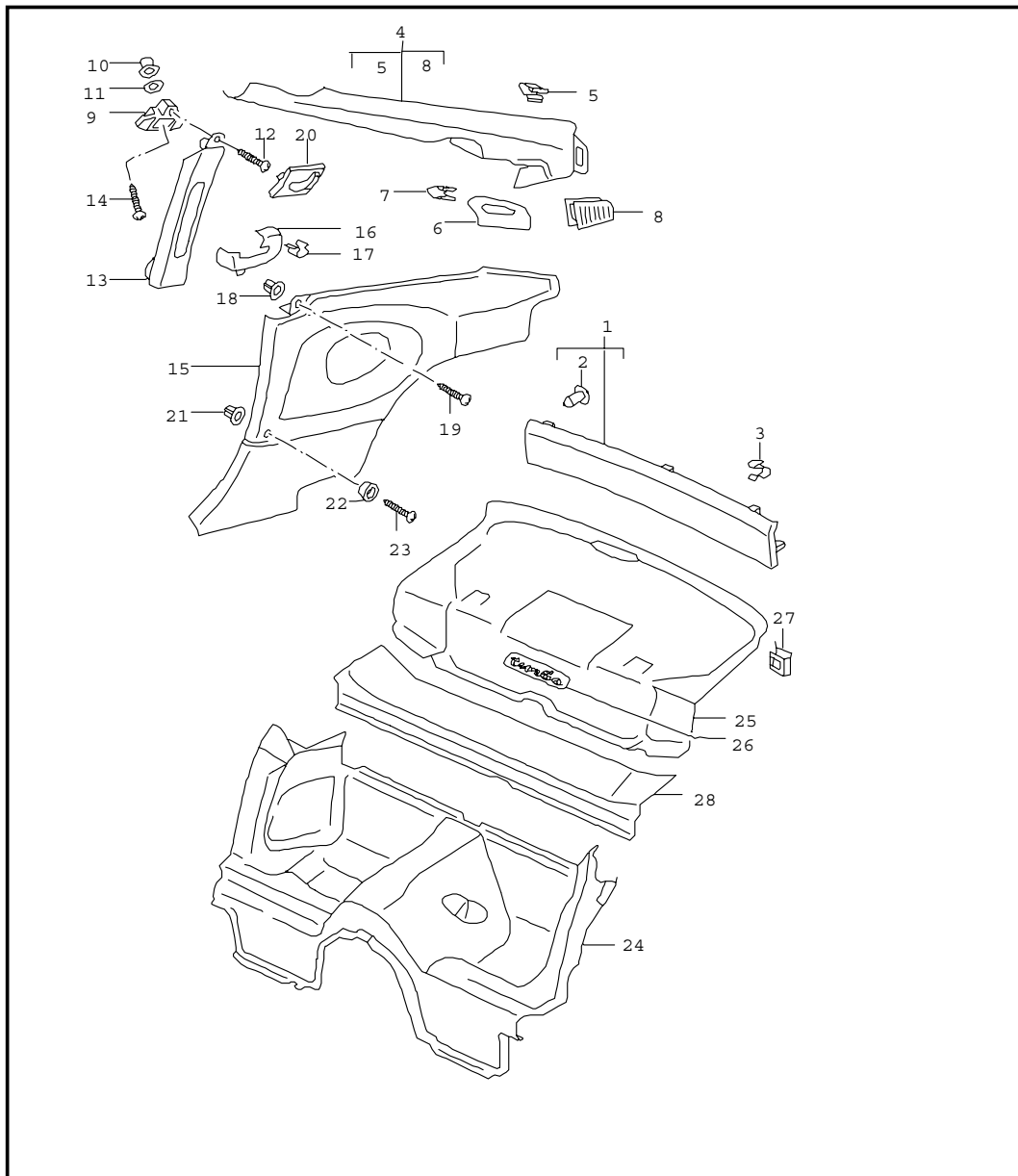
Model	Year	MG	SG	Illustration	Restrictions	Update	12:22	25.11.2005	PORSCHE	PET	PORSCHE
996t	05	8	07	807-03		194					

Pos	Part Number	Name	Remarks	Qty	Model	Pos	Part Number	Name	Remarks	Qty	Model
	M31	boxster red					C51	graphite grey			
	P12	cinnamon brown					S31	savanna			
	D12	dark grey/natural					G11	metropole blue			
	T12	brown/natural					J31	nephrite green			
(9)	996 551 980 29	lining leather complete	/RL 02-	1	XTG		M31	boxster red			
	VRK	black					P12	cinnamon brown			
	C51	graphite grey					D12	dark grey/natural			
	S31	savanna				(9)	996 551 119 04	lining		1	
	G11	metropole blue					A03	black			
	J31	nephrite green				(9)	996 551 119 05	lining lacquered		1	M 537/538
	M31	boxster red					A03	black			
	P12	cinnamon brown				17	999 067 046 09	pan-head screw M 6 X 20		2	
	D12	dark grey/natural				18	999 703 443 40	plug 8,0 X 11 X 7,2		2	
(9)	996 551 980 30	lining leather complete	/LL 02-	1	XTG/537		01C	satin black			
	VRK	black				19	999 507 484 40	expander nut		12	
	C51	graphite grey				20	996 551 120 00	lining tray		1	
	S31	savanna					A03	black			
	G11	metropole blue				20	996 551 981 01	lining tray leather		1	XTG
	J31	nephrite green					A11	black			
	M31	boxster red					VRK	black			
	P12	cinnamon brown					C51	graphite grey			
	D12	dark grey/natural					S31	savanna			
	T12	brown/natural					J31	nephrite green			
(9)	996 551 980 31	lining leather complete		1	XTG/538		M31	boxster red			
	VRK	black					G11	metropole blue			

Model	Year	MG	SG	Illustration	Restrictions	Update	12:22	25.11.2005	PORSCHE	PET	PORSCHE
996t	05	8	07	807-03		194					

Pos	Part Number	Name	Remarks	Qty	Model	Pos	Part Number	Name	Remarks	Qty	Model
	D12	dark grey									
	T12	brown/natural									
	P12	cinnamon brown									
21	996 551 513 00	mat		1							
22	999 919 164 09	oval-head screw 5,0 X 12		2							
23	996 551 303 02	scuff plate		2	TURBO						
	A03	black									
23	996 551 303 07	scuff plate	05-	2	TURBO S/M092						
	A03	black									
(23)	996 551 303 91	scuff plate lacquered		2	GT 2						
	A03	black									
(23)	996 551 984 02	scuff plate	/L	1	TURBO:X69						
23	996 551 984 03	scuff plate	/R	1	TURBO:X70						
(23)	996 551 984 92	scuff plate		1	GT 2:X69						
(23)	996 551 984 93	scuff plate		1	GT 2:X 70						
		- - - E N D - - -									

Model	Year	MG	SG	Illustration	Restrictions	Update	12:22	25.11.2005	PORSCHE	PET	PORSCHE
996t	05	8	07	807-05		194					



Pos	Part Number	Name	Remarks	Qty	Model
1	996 555 081 03	linings rear lining leather		1	
	A11	black			
	C51	graphite grey			
	S31	savanna			
	G11	metropole blue			
	J31	nephrite green			
	M31	boxster red			
	P12	cinnamon brown			
	D12	dark grey			
	T12	brown/natural			
2	999 507 687 05	fixing clip		5	
3	999 651 307 02	cable clamp 18,0		4	
(4)	996 555 187 03	lining upper leather	/L	1	
	A11	black			
	C51	graphite grey			
	S31	savanna			
	G11	metropole blue			
	J31	nephrite green			
	M31	boxster red			
	P12	cinnamon brown			
	D12	dark grey			
	T12	brown/natural			
4	996 555 188 03	lining upper leather	/R	1	
	A11	black			
	C51	graphite grey			

Model	Year	MG	SG	Illustration	Restrictions	Update	12:22	25.11.2005	PORSCHE	PET	PORSCHE
996t	05	8	07	807-05		194					

Pos	Part Number	Name	Remarks	Qty	Model	Pos	Part Number	Name	Remarks	Qty	Model
	S31	savanna				(10)	999 507 695 02	speed nut 4,8		2	
	G11	metropole blue				11	999 025 268 09	washer 6,4		2	
	J31	nephrite green				12	999 073 060 02	tapping screw 4,8 X13		2	
	M31	boxster red				(13)	996 555 183 05	lining b-pillar leather	/L	1	
	P12	cinnamon brown					A11	black			
	D12	dark grey					C51	graphite grey			
	T12	brown/natural					S31	savanna			
-	999 551 609 40	plastic washer 8,0 X 23 X 3,0		16			G11	metropole blue			
5	999 507 676 09	clamp 2,5/2,20		2			J31	nephrite green	-03		
5	999 507 479 09	clamp 2,5/0,9		4			M31	boxster red			
(6)	996 555 545 01	rose	/L	1	TURBO		P12	cinnamon brown			
	A03	black					D12	dark grey			
6	996 555 546 01	rose	/R	1	TURBO		T12	brown/natural			
	A03	black				(13)	996 555 184 05	lining b-pillar leather	/R	1	
(6)	996 555 545 30	rose leather	/L	1	GT 2		A11	black			
	A11	black					C51	graphite grey			
6	996 555 546 30	rose leather	/R	1	GT 2		S31	savanna			
	A11	black					G11	metropole blue			
7	999 507 533 02	clamp		2			J31	nephrite green	-03		
(8)	996 555 645 00	grille lacquered	/L	1			M31	boxster red			
	A03	black					P12	cinnamon brown			
8	996 555 646 00	grille lacquered	/R	1			D12	dark grey			
	A03	black					T12	brown/natural			
(9)	996 555 821 02	bracket	/L	1		14	999 073 130 02	oval-head screw M 6 X 16		2	
(9)	996 555 822 02	bracket coat hook	/R	1		(15)	996 555 071 11	side trim panel leather	/L -02	1	TURBO

Model	Year	MG	SG	Illustration	Restrictions	Update	12:22	25.11.2005	PORSCHE	PET	PORSCHE
996t	05	8	07	807-05		194					

Pos	Part Number	Name	Remarks	Qty	Model	Pos	Part Number	Name	Remarks	Qty	Model
		EVS black						VRU brown/natural			
		DFV graphite grey				15	996 555 072 16	side trim panel leather	/R 03-	1	TURBO
		DFW savanna						EVS black			
		DFX metropole blue						DFV graphite grey			
		DFZ nephrite green						DFW savanna			
		DGA boxer red						DFX metropole blue			
		FEK cinnamon brown						DFZ nephrite green			
		VRT dark grey/natural						DGA boxer red			
		VRU brown/natural						FEK cinnamon brown			
15	996 555 072 11	side trim panel leather	/R -02	1	TURBO			VRT dark grey/natural			
		EVS black						VRU brown/natural			
		DFV graphite grey				(15)	996 555 071 91	side trim panel leather	/L 01-	1	GT 2
		DFW savanna						EVS black			
		DFX metropole blue						VRT dark grey/natural	02-		
		DFZ nephrite green						VRU brown/natural	02-		
		DGA boxer red				15	996 555 072 91	side trim panel leather	/R 01-	1	GT 2
		FEK cinnamon brown						EVS black			
		VRT dark grey/natural						VRT dark grey/natural	02-		
		VRU brown/natural						VRU brown/natural	02-		
(15)	996 555 071 16	side trim panel leather	/L 03-	1	TURBO	--	999 551 609 40	plastic washer 8,0 X 23 X 3,0		6	
		EVS black				(16)	996 555 061 00	rose seat belt lacquered	/L	1	
		DFV graphite grey						A03 black			
		DFW savanna						C53 graphite grey			
		DFX metropole blue						S33 savanna			
		DFZ nephrite green						G13 metropole blue			
		DGA boxer red						J33 nephrite green			
		FEK cinnamon brown									
		VRT dark grey/natural									

Model	Year	MG	SG	Illustration	Restrictions	Update	12:22	25.11.2005	PORSCHE	PET	PORSCHE
996t	05	8	07	807-05		194					

Pos	Part Number	Name	Remarks	Qty	Model	Pos	Part Number	Name	Remarks	Qty	Model								
16	M33	boxster red	/R	1			G13	metropole blue											
	P13	cinnamon brown					J33	nephrite green											
	996 555 062 00	rose seat belt lacquered					M33	boxster red											
	A03	black					P13	cinnamon brown											
	C53	graphite grey					21	999 507 050 40				expander nut 4,2	2						
	S33	savanna					24	996 551 021 09				adhesive carpet	01	1	TURBO				
	G13	metropole blue					A10	black											
	J33	nephrite green					C50	graphite grey											
	M33	boxster red					S30	savanna											
	P13	cinnamon brown					G10	metropole blue											
17	999 507 533 02	clamp 4,2 X 19		2			J30	nephrite green											
	18	999 507 050 40					expander nut 4,2 4,2 X 19	2											
19	999 073 079 02	tapping screw 4,2 X 19		2			P11	cinnamon brown											
(20)	996 555 571 02	coat hook lacquered	/L	1			(24)	996 551 021 05	adhesive carpet seat well carpet	02-	1								
	A03	black					A10	black											
	C53	graphite grey					C50	graphite grey											
	S33	savanna					S30	savanna											
	G13	metropole blue					G10	metropole blue											
	J33	nephrite green					J30	nephrite green											
	M33	boxster red					M30	boxster red											
	P13	cinnamon brown					P11	cinnamon brown											
	20	996 555 572 02					coat hook lacquered	/R	1						D11	dark grey			
		A03					black								T11	brown/natural			
C53		graphite grey	24	996 551 021 91	adhesive carpet rear wall	1	GT 2												
S33		savanna	A10	black															

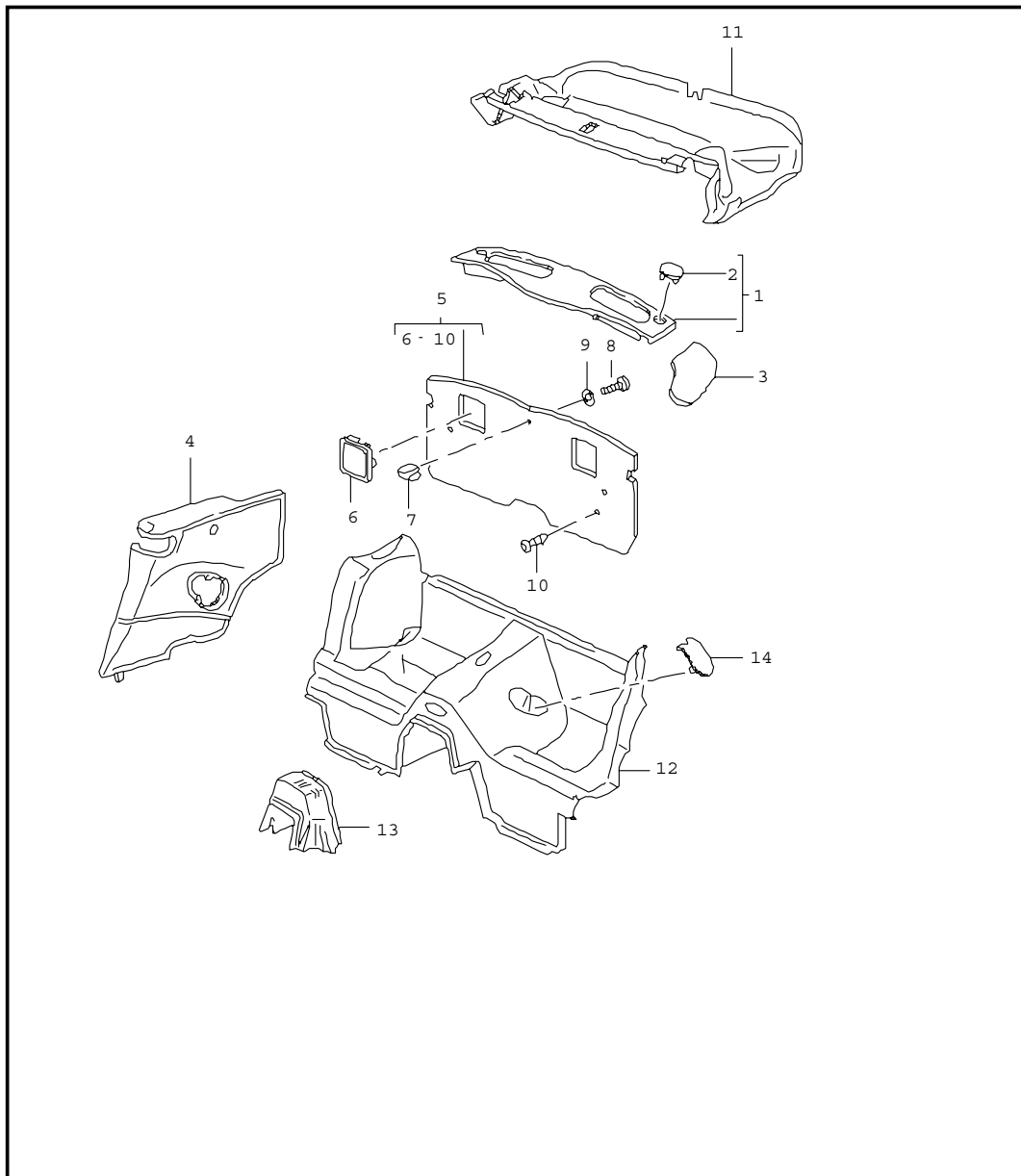
Model	Year	MG	SG	Illustration	Restrictions	Update	12:22	25.11.2005	PORSCHE	PET	PORSCHE
996t	05	8	07	807-05		194					

Pos	Part Number	Name	Remarks	Qty	Model	Pos	Part Number	Name	Remarks	Qty	Model
25	996 551 031 04	adhesive carpet rear wall carpet	01	1	TURBO		M30	boxster red			
	A10	black					P11	cinnamon brown			
	C50	graphite grey					D11	dark grey			
	S30	savanna					T11	brown/natural			
	G10	metropole blue				25	996 551 031 18	adhesive carpet rear wall carpet	02-	1	TURBO:M 479
	J30	nephrite green					A10	black			
	M30	boxster red					C50	graphite grey			
	P11	cinnamon brown					S30	savanna			
	D11	dark grey					G10	metropole blue			
	T11	brown/natural					J30	nephrite green			
25	996 551 031 05	adhesive carpet rear wall carpet	01	1	TURBO:M 479		M30	boxster red			
	A10	black					P11	cinnamon brown			
	C50	graphite grey					D11	dark grey			
	S30	savanna					T11	brown/natural			
	G10	metropole blue				25	996 551 031 90	adhesive carpet rear wall		1	GT 2
	J30	nephrite green					A10	black			
	M30	boxster red				--	996 551 551 00	cover child car seat mount		2	M 113
	P11	cinnamon brown				--	996 551 561 00	desk pad		1	
	D11	dark grey				26	996 551 305 00	logo		1	TURBO
	T11	brown/natural					A03	black			
25	996 551 031 17	adhesive carpet rear wall carpet	02-	1	TURBO	(26)	996 551 305 91	logo		1	GT 2
	A10	black					A03	black			
	C50	graphite grey				27	996 522 897 00	clips nut		3	
	S30	savanna				28	996 551 033 02	lining control units carpet	01	1	
	G10	metropole blue					A10	black			
	J30	nephrite green					C50	graphite grey			

Model	Year	MG	SG	Illustration	Restrictions	Update	12:22	25.11.2005	PORSCHE	PET	PORSCHE
996t	05	8	07	807-05		194					

Pos	Part Number	Name	Remarks	Qty	Model	Pos	Part Number	Name	Remarks	Qty	Model
	S30	savanna				--	996 551 525 00	cover seat-belt buckle	/L	1	
	G10	metropole blue					01C	satin black			
	J30	nephrite green	-03			--	996 551 526 00	cover seat-belt buckle	/R	1	
	M30	boxster red					01C	satin black			
	P11	cinnamon brown									
	D11	dark grey									
	T11	brown/natural									
28	996 551 033 05	lining control units carpet	02-	1							
	A10	black									
	C50	graphite grey									
	S30	savanna									
	G10	metropole blue									
	J30	nephrite green	-03								
	M30	boxster red									
	P11	cinnamon brown									
	D11	dark grey									
	T11	brown/natural									
(28)	997 551 033 01	lining control units carpet	02-	1	I680						
	A10	black									
	C50	graphite grey									
	S30	savanna									
	G10	metropole blue									
	J30	nephrite green	-03								
	M30	boxster red									
	P11	cinnamon brown									
	D11	dark grey									
	T11	brown/natural									

Model	Year	MG	SG	Illustration	Restrictions	Update	12:22	25.11.2005	PORSCHE	PET	PORSCHE
996t	05	8	07	807-07		194					



Pos	Part Number	Name	Remarks	Qty	Model
1	996 555 083 04	linings rear cover convertible top cloth	04-	1	CABRIO
	EDK	black			
	EDL	graphite grey			
	ERN	metropole blue			
--	996 555 341 01	flap cover	/L	1	
	A07	black			
	C07	graphite grey			
	G03	metropole blue			
--	996 555 342 01	flap cover	/R	1	
	A07	black			
	C07	graphite grey			
	G03	metropole blue			
--	996 555 355 00	hinge outer		2	
--	996 555 356 00	hinge inner		2	
--	996 580 667 00	support		2	M 439
--	999 591 489 02	speed nut ST 4,8		2	
--	999 073 060 02	tapping screw ST 4,8 X 18		3	
2	996 555 457 00	cover lacquered		2	
	A10	black			
	C50	graphite grey			
	G10	metropole blue			
(3)	996 555 263 03	flap convertible top cloth	/L	1	

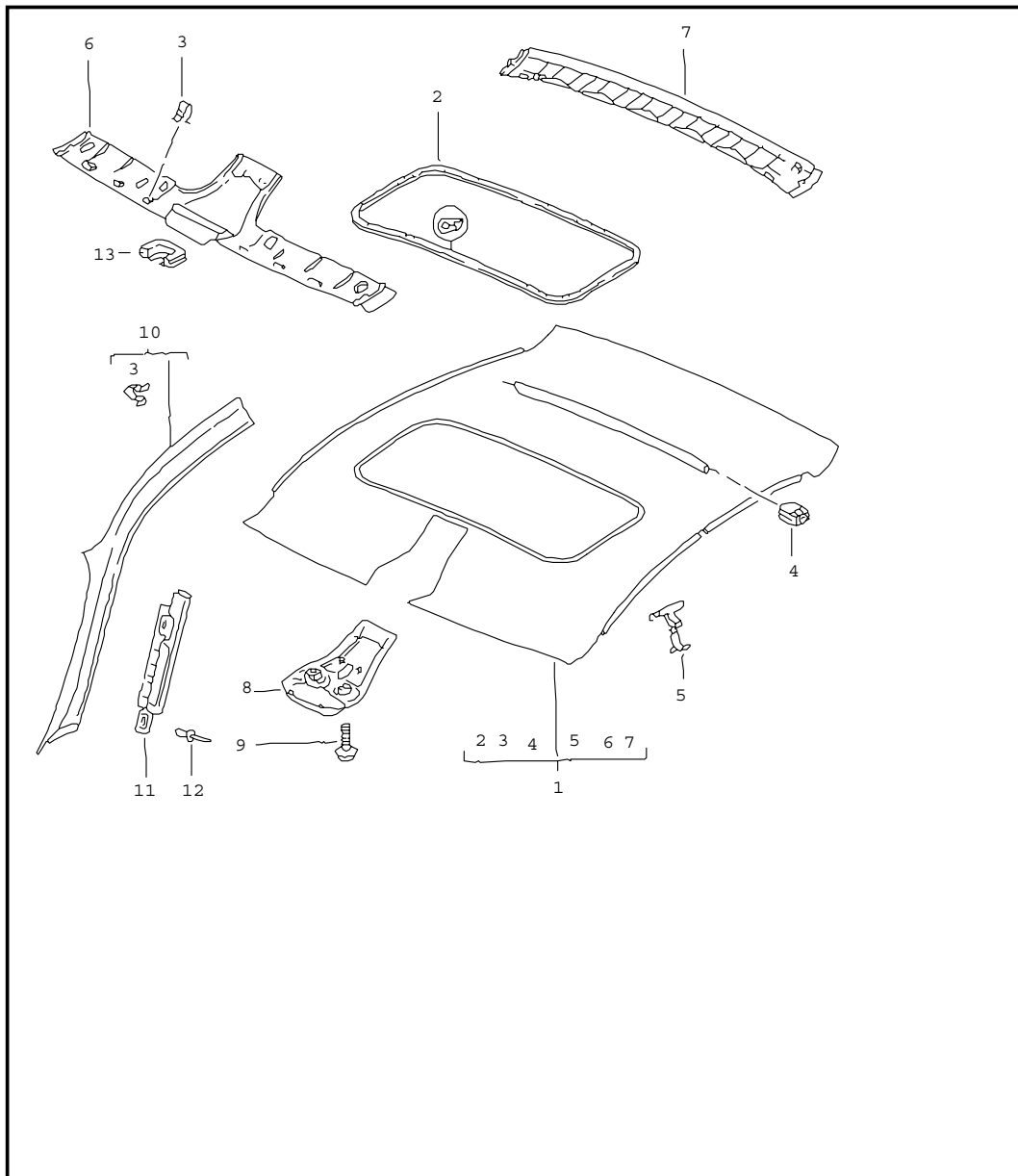
Model	Year	MG	SG	Illustration	Restrictions	Update	12:22	25.11.2005	PORSCHE	PET	PORSCHE
996t	05	8	07	807-07		194					

Pos	Part Number	Name	Remarks	Qty	Model	Pos	Part Number	Name	Remarks	Qty	Model
	A07	black				--	999 507 676 09	clamp 2,5/2,2		2	M 981
	C07	graphite grey				--	999 507 050 40	expansion rivet		2	
	G03	metropole blue				--	999 073 142 09	tapping screw 4,2 X 19		2	
3	996 555 264 03	flap convertible top cloth	/R	1		--	999 073 048 02	tapping screw 3,5 X 13		2	
	A07	black				--	996 555 671 01	rose seat belt lacquered	/L	1	
	C07	graphite grey					A03	black			
(4)	996 555 071 17	side trim panel leather	/L	1			C53	graphite grey			
	EVS	black					S33	savanna			
	DFV	graphite grey					G13	metropole blue			
	DFW	savanna					M33	boxster red			
	DFX	metropole blue					P13	cinnamon brown			
	DGA	boxster red				--	996 555 672 01	rose seat belt lacquered	/R	1	
	FEK	cinnamon brown					A03	black			
	VRT	dark grey/natural					C53	graphite grey			
	VRU	brown/natural					S33	savanna			
4	996 555 072 17	side trim panel leather	/R	1			G13	metropole blue			
	EVS	black					M33	boxster red			
	DFV	graphite grey					P13	cinnamon brown			
	DFW	savanna				--	999 507 533 02	clamp		4	
	DFX	metropole blue				5	996 555 281 06	back wall lining carpet		1	
	DGA	boxster red					A10	black			
	FEK	cinnamon brown					C50	graphite grey			
	VRT	dark grey/natural					S30	savanna			
	VRU	brown/natural					G10	metropole blue			
--	999 551 609 40	plastic washer 8,0 X 23 X 3		2	M 981		M30	boxster red			

Model	Year	MG	SG	Illustration	Restrictions	Update	12:22	25.11.2005	PORSCHE	PET	PORSCHE
996t	05	8	07	807-07		194					

Pos	Part Number	Name	Remarks	Qty	Model	Pos	Part Number	Name	Remarks	Qty	Model		
(5)	P11	cinnamon brown	/RL	1	M 479	12	996 551 021 07	lining seat well carpet		1	M XSN/685		
	D11	dark grey/natural				A10	black						
	T11	brown/natural				C50	graphite grey						
	996 555 281 07	back wall lining carpet				S30	savanna						
	A10	black				G10	metropole blue						
	C50	graphite grey				M30	boxster red						
	S30	savanna				P11	cinnamon brown						
	G10	metropole blue				D11	dark grey/natural						
	M30	boxster red				T11	brown/natural						
	P11	cinnamon brown											
6	D11	dark grey/natural	/RL	1	M 479	13	996 551 221 01	cover sensor		1			
	T11	brown/natural				14	996 551 525 00	cover seat-belt buckle				/L	1
	996 555 785 00	cover release carpet				01C	satin black						
	EDA	black				(14)	996 551 526 00	cover seat-belt buckle				/R	1
	EDB	graphite grey				01C	satin black						
	EDC	savanna											
	EDD	metropole blue											
	EDG	boxster red											
	FDJ	cinnamon brown											
	VSM	dark grey/natural											
7	VSN	brown/natural											
	996 555 789 00	base wind deflector		1									
(10)	01C	satin black											
	999 073 062 02	tapping screw 4,8 X 19		2									
11	996 551 035 04	lining convertible top frame carpet		1									
	B04	dark grey											

Model	Year	MG	SG	Illustration	Restrictions	Update	12:23	25.11.2005	PORSCHE	PET	PORSCHE
996t	05	8	07	807-08		194					



Pos	Part Number	Name	Remarks	Qty	Model
(1)	996 555 091 04	rooflining	01	1	
	A14	black			
	C54	graphite grey			
	S34	savanna			
	G14	metropole blue			
	J34	nephrite green			
1	996 555 091 05	rooflining	01	1	M 650
	A14	black			
	C54	graphite grey			
	S34	savanna			
	G14	metropole blue			
	J34	nephrite green			
(1)	996 555 091 06	rooflining	02-04	1	
	A14	black			
	C54	graphite grey			
	S34	savanna			
	G14	metropole blue			
	J34	nephrite green			
1	996 555 091 07	rooflining	02-04	1	M 650
	A14	black			
	C54	graphite grey			
	S34	savanna			
	G14	metropole blue			
	J34	nephrite green			
1	996 555 091 06	rooflining alcantara valid up to: F >>995S6 80107 F >>995S6 95062	05	1	I652
	A14	black			

Model	Year	MG	SG	Illustration	Restrictions	Update	12:23	25.11.2005	PORSCHE	PET	PORSCHE
996t	05	8	07	807-08		194					

Pos	Part Number	Name	Remarks	Qty	Model	Pos	Part Number	Name	Remarks	Qty	Model
1	996 555 091 07	C54 graphite grey S34 savanna G14 metropole blue roofflining alcantara valid up to: F >>995S6 80107 F >>995S6 95062	05	1	TURBO/I650	1	996 555 982 03	J31 nephrite green M31 boxster red P12 cinnamon brown D12 dark grey/natural T12 brown/natural roofflining leather	-03 -04	1	XMA/M 650
(1)	997 555 091 00	A14 black C54 graphite grey S34 savanna G14 metropole blue roofflining alcantara valid from: F 995S6 80108>> F 995S6 95063>>	05	1	I652	(1)	996 555 982 02	A11 black C51 graphite grey S31 savanna G11 metropole blue J31 nephrite green M31 boxster red P12 cinnamon brown D12 dark grey/natural T12 brown/natural roofflining leather valid up to: F >>995S6 80107 F >>995S6 95062 F >>995S6 96063	-03 05	1	XMA/652
1	997 555 091 01	A14 black C54 graphite grey S34 savanna G14 metropole blue roofflining alcantara valid from: F 995S6 80108>> F 995S6 95063>>	05	1	TURBO/I650			A11 black C51 graphite grey S31 savanna G11 metropole blue M31 boxster red			
(1)	996 555 982 02	A14 black C54 graphite grey S34 savanna G14 metropole blue roofflining leather	-04	1	XMA/M 652			P12 cinnamon brown D12 dark grey/natural T12 brown/natural			

Model	Year	MG	SG	Illustration	Restrictions	Update	12:23	25.11.2005	PORSCHE	PET	PORSCHE
996t	05	8	07	807-08		194					

Pos	Part Number	Name	Remarks	Qty	Model	Pos	Part Number	Name	Remarks	Qty	Model
(1)	996 555 982 03	rooflining leather valid up to: F >>995S6 80107 F >>995S6 95062 F >>995S6 96063	05	1	XMA/650		M31	boxster red			
	A11	black					P12	cinnamon brown			
	C51	graphite grey					D12	dark grey/natural			
	S31	savanna					T12	brown/natural			
	G11	metropole blue				-	999 551 609 40	plastic washer 8,0 X 23 X 3,0		6	
	M31	boxster red				2	996 564 231 02	pipng		1	M 650
	P12	cinnamon brown				3	999 507 479 09	clamp 2,5/0,9		3	
	D12	dark grey/natural				(3)	999 507 681 09	retaining clip 2,5/3,0		10	
	T12	brown/natural				4	996 555 823 00	support transverse strut		2	M 650
(1)	997 555 980 00	rooflining leather valid from: F 995S6 80108>> F 995S6 95063>>	05-	1	XMA/652	5	996 555 691 02	clip		8	
	A11	black				(6) U	996 555 553 08	cover rooflining front	-04	1	
	C51	graphite grey				6	U 996 555 553 09	cover rooflining front	-04	1	M 650
	S31	savanna				(6) U	996 555 553 08	cover rooflining front valid up to: F >>995S6 80107 F >>995S6 95062		1	I652
	G11	metropole blue				6	U 996 555 553 09	cover rooflining front valid up to: F >>995S6 80107 F >>995S6 95062		1	I650
	M31	boxster red				(6) U	997 555 591 00	cover rooflining front valid from: F 995S6 80108>> F 995S6 95063>>	05	1	I652
	P12	cinnamon brown									
	D12	dark grey/natural									
	T12	brown/natural									
(1)	997 555 980 01	rooflining leather valid from: F 995S6 80108>> F 995S6 95063>>	05-	1	XMA/650						
	A11	black									
	C51	graphite grey									
	S31	savanna									
	G11	metropole blue									

Model	Year	MG	SG	Illustration	Restrictions	Update	12:23	25.11.2005	PORSCHE	PET	PORSCHE
996t	05	8	07	807-08		194					

Pos	Part Number	Name	Remarks	Qty	Model	Pos	Part Number	Name	Remarks	Qty	Model
6	U 997 555 591 01	cover rooflining front valid from: F 995S6 80108>> F 995S6 95063>>	05	1	I650		P13	cinnamon brown	01		
(7)	996 555 155 06	cover rooflining	/H	1		(8)	996 555 557 11	cover interior light lacquered	04-	1	TURBO/ M652/265
7	996 555 155 07	cover rooflining	/H	1	M 650		A03	black			
(8)	996 555 557 05	cover interior light lacquered	-03	1	GT2/652		C53	graphite grey			
	A03	black					S33	savanna			
(8)	996 555 557 10	cover interior light lacquered	04-	1	GT2/652	(8)	996 555 557 09	cover interior light lacquered	01-	1	TURBO/ M650/265
	A03	black					A03	black			
(8)	996 555 557 06	cover interior light	01	1	TURBO/650		C53	graphite grey			
	A03	black					S33	savanna			
	C53	graphite grey					G13	metropole blue			
	S33	savanna					J33	nephrite green	-03		
	G13	metropole blue					M33	boxster red	01		
	J33	nephrite green					P13	cinnamon brown	01		
	M33	boxster red				8	996 555 993 01	cover interior light leather		1	XZD
	P13	cinnamon brown					A11	black			
(8)	996 555 557 08	cover interior light lacquered	-03	1	TURBO/ M652/265		C51	graphite grey			
	A03	black					S31	savanna			
	C53	graphite grey					G11	metropole blue			
	S33	savanna					J31	nephrite green			
	G13	metropole blue					M31	boxster red			
	J33	nephrite green	-03				D12	dark grey			
	M33	boxster red	01				T12	brown/natural			
							P12	cinnamon brown			

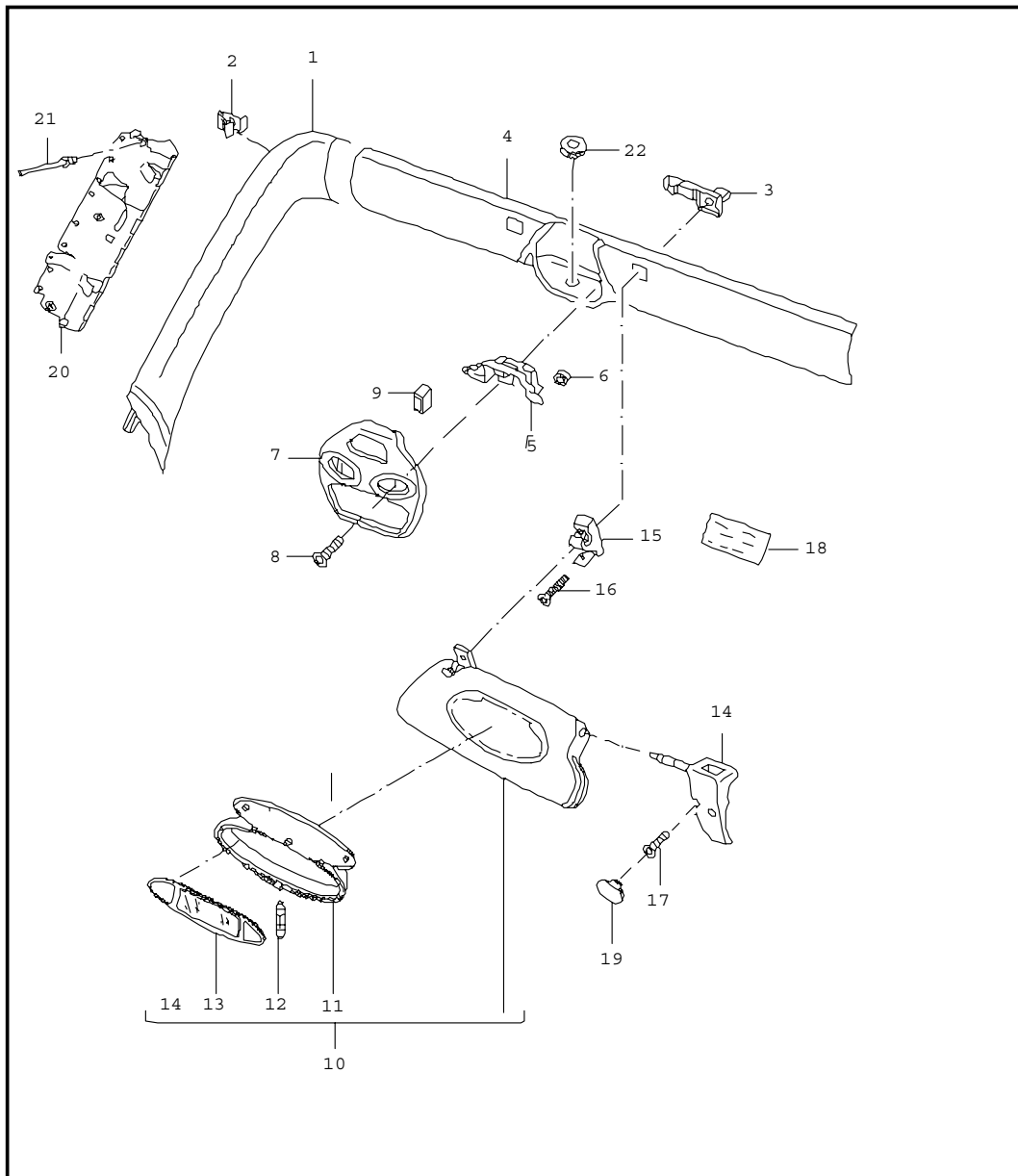
Model	Year	MG	SG	Illustration	Restrictions	Update	12:23	25.11.2005	PORSCHE	PET	PORSCHE
996t	05	8	07	807-08		194					

Pos	Part Number	Name	Remarks	Qty	Model	Pos	Part Number	Name	Remarks	Qty	Model
(8)	996 555 993 03	cover interior light leather		1	XZD+M 265		M31	boxster red			
	A11	black					D12	dark grey			
	C51	graphite grey					T12	brown/natural			
	S31	savanna				(9)	999 073 061 02	tapping screw 4,8 X 16		2	
	G11	metropole blue				(10)	996 555 181 09	lining a-pillar leather	/L	1	
	J31	nephrite green					A11	black			
	M31	boxster red					C51	graphite grey			
	D12	dark grey					S31	savanna			
	T12	brown/natural					G11	metropole blue			
	P12	cinnamon brown					J31	nephrite green			
(8)	996 555 993 00	cover interior light leather		1	XZD+M 650		M31	boxster red			
	A11	black					P12	cinnamon brown			
	C51	graphite grey					D12	dark grey			
	S31	savanna					T12	brown/natural			
	G11	metropole blue				(10)	996 555 182 09	lining a-pillar leather	/R	1	
	J31	nephrite green					A11	black			
	M31	boxster red					C51	graphite grey			
	D12	dark grey					S31	savanna			
	T12	brown/natural					G11	metropole blue			
	P12	cinnamon brown					J31	nephrite green			
(8)	996 555 993 02	cover interior light leather		1	XZD+M 265+ M 650		M31	boxster red			
	A11	black					P12	cinnamon brown			
	C51	graphite grey					D12	dark grey			
	S31	savanna					T12	brown/natural			
	G11	metropole blue				(11)	996 555 291 00	deformation element	/L	1	
	J31	nephrite green				11	996 555 292 00	deformation element	/R	1	

Model	Year	MG	SG	Illustration	Restrictions	Update	12:23	25.11.2005	PORSCHE	PET	PORSCHE
996t	05	8	07	807-08		194					

Pos	Part Number	Name	Remarks	Qty	Model	Pos	Part Number	Name	Remarks	Qty	Model
12	999 190 167 30	blind rivet 4,0 X 6,3		10							
--	999 551 138 40	felt strip 25 X 25 X 1		2							
13	996 555 619 00	grommet wiring harness rain sensor		1	M 265						
		- - - E N D - - -									

Model	Year	MG	SG	Illustration	Restrictions	Update	12:23	25.11.2005	PORSCHE	PET	PORSCHE
996t	05	8	07	807-09		194					



Pos	Part Number	Name	Remarks	Qty	Model
(1)	996 555 181 11	windscreen frame sun visors lining a-pillar leather A11 black C51 graphite grey S31 savanna G11 metropole blue M31 boxster red D12 dark grey/natural T12 brown/natural P12 cinnamon brown	/L 04-	1	CABRIO COUPE/CABRIO
(1)	996 555 182 11	lining a-pillar leather A11 black C51 graphite grey S31 savanna G11 metropole blue M31 boxster red D12 dark grey/natural T12 brown/natural P12 cinnamon brown	/R 04-	1	CABRIO
2	999 507 574 02	clamp 8 X 10/1,2		4	
2	999 507 681 09	clamp 2,5/3,00	00-	10	
3	986 731 541 01	plate		2	
4	996 555 059 07	lining windscreen frame leather A11 black	04-	1	CABRIO M 265

Model	Year	MG	SG	Illustration	Restrictions	Update	12:23	25.11.2005	PORSCHE	PET	PORSCHE
996t	05	8	07	807-09		194					

Pos	Part Number	Name	Remarks	Qty	Model	Pos	Part Number	Name	Remarks	Qty	Model
	C51	graphite grey					C52	graphite grey			
	S31	savanna					S32	savanna			
	G11	metropole blue					G12	metropole blue			
	M31	boxster red					J32	nephrite green			
	D12	dark grey/natural				(10)	997 731 031 00	sun visor leatherette valid from: F 995S6 80108>> F 995S6 95063>>	/L	1	COUPE/I274
	T12	brown/natural					A12	black			
	P12	cinnamon brown					C52	graphite grey			
5	996 613 795 01	microswitch convertible top catch		1	CABRIO		S32	savanna			
6	999 507 534 02	clamping washer 2,5		2	CABRIO		G12	metropole blue			
7	996 561 635 00	cover interior light lacquered		1	CABRIO	(10)	997 731 032 00	sun visor leatherette valid from: F 995S6 80108>> F 995S6 95063>>	/R	1	COUPE/I274
	A09	rally black					A12	black			
8	999 073 166 09	countersunk-head screw M 6 X 25		2	CABRIO		C52	graphite grey			
9	996 561 609 00	cap mounting catch		1	CABRIO		S32	savanna			
(10)	996 731 031 15	sun visor leatherette valid up to: F >>995S6 80107 F >>995S6 95062	/L	1	COUPE:M274	(10)	G12	metropole blue	/L 01-	1	COUPE/MXMP
	A12	black					VRK	black			
	C52	graphite grey					C51	graphite grey			
	S32	savanna					S31	savanna			
	G12	metropole blue					J31	nephrite green			
	J32	nephrite green					G11	metropole blue			
(10)	996 731 032 15	sun visor leatherette valid up to: F >>995S6 80107 F >>995S6 95062	/R	1	COUPE:M274		M31	boxster red			
	A12	black					D12	dark grey			
							T12	brown/natural			

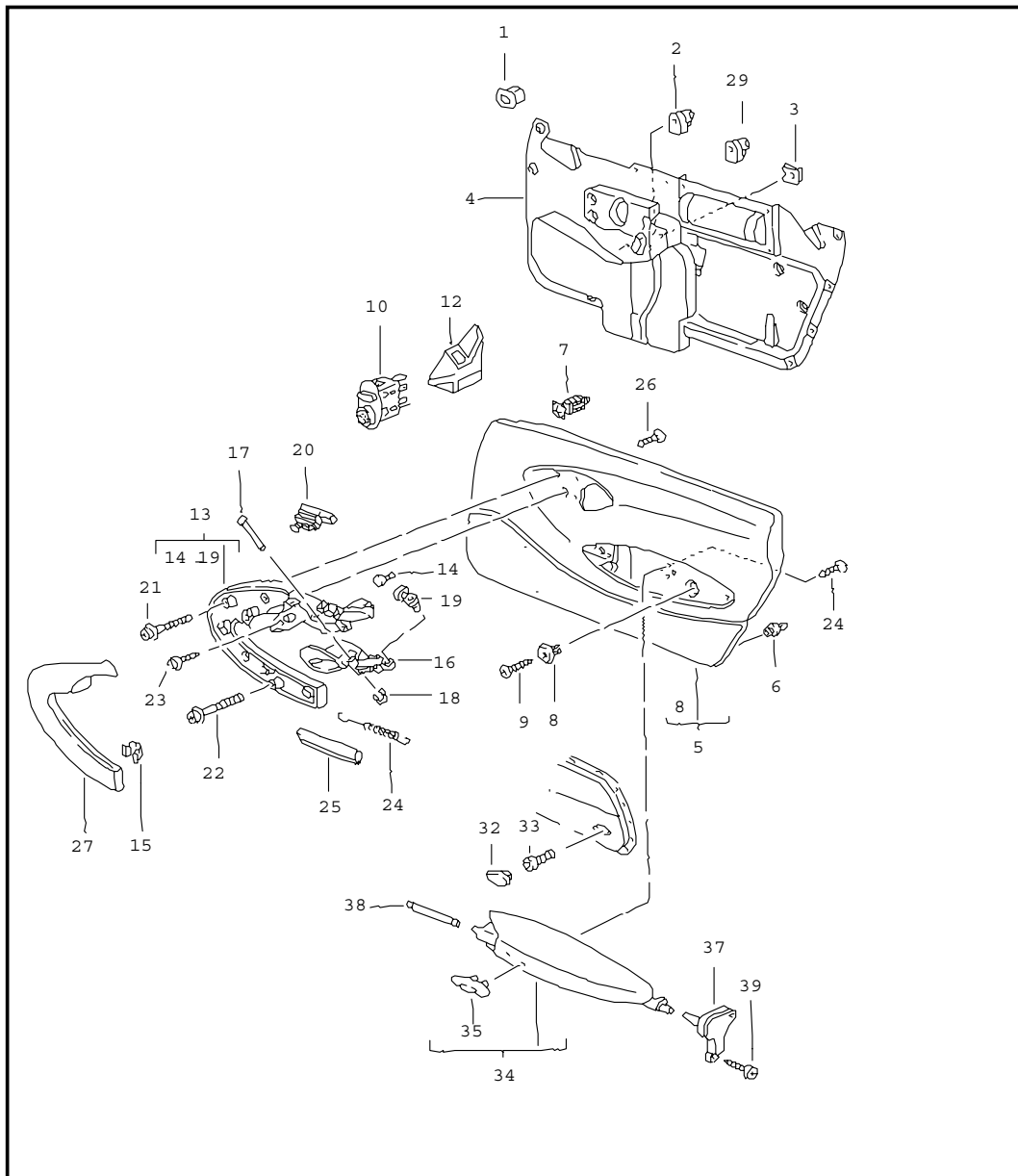
Model	Year	MG	SG	Illustration	Restrictions	Update	12:23	25.11.2005	PORSCHE	PET	PORSCHE
996t	05	8	07	807-09		194					

Pos	Part Number	Name	Remarks	Qty	Model	Pos	Part Number	Name	Remarks	Qty	Model
(10)	996 731 981 09	P12 cinnamon brown sun visor leather valid up to: F >>995S6 80107 F >>995S6 95062	/R 01-	1	COUPE/MXMP	(10)	996 731 031 18	S31 savanna G11 metropole blue M31 boxster red P12 cinnamon brown D12 dark grey/natural T12 brown/natural			
(10)	996 731 980 19	VRK black C51 graphite grey S31 savanna J31 nephrite green G11 metropole blue M31 boxster red D12 dark grey T12 brown/natural P12 cinnamon brown sun visor leather valid from: F 995S6 80108>> F 995S6 95063>>	/L	1	COUPE/IXMP	10	996 731 032 18	A12 black C52 graphite grey S32 savanna G12 metropole blue sun visor leatherette	/R 04-	1	CABRIO M 274
(10)	996 731 981 19	VRK black C51 graphite grey S31 savanna G11 metropole blue M31 boxster red P12 cinnamon brown D12 dark grey/natural T12 brown/natural sun visor leather valid from: F 995S6 80108>> F 995S6 95063>>	/R	1	COUPE/IXMP	(10)	996 731 980 12	A12 black C52 graphite grey S32 savanna G12 metropole blue sun visor leather VRK black C51 graphite grey S31 savanna M31 boxster red G11 metropole blue D12 dark grey T12 brown/natural P12 cinnamon brown	/L 04-	1	CABRIO XMP

Model	Year	MG	SG	Illustration	Restrictions	Update	12:23	25.11.2005	PORSCHE	PET	PORSCHE
996t	05	8	07	807-09		194					

Pos	Part Number	Name	Remarks	Qty	Model	Pos	Part Number	Name	Remarks	Qty	Model
10	996 731 981 12	sun visor leather VRK black C51 graphite grey S31 savanna M31 boxerster red G11 metropole blue D12 dark grey T12 brown/natural P12 cinnamon brown	/R 04-	1	CABRIO XMP	16	999 073 139 02	oval-head screw M 5 X 25 valid up to: F >>995S6 80107 F >>995S6 95062		2	COUPE
						16	999 073 326 09	oval-head screw M 5 X 10 valid from: F 995S6 80108>> F 995S6 95063>>		2	
						(16)	999 500 093 02	nut M 5		2	COUPE
						17	999 073 166 09	countersunk-head screw M 6 X 25	04-	4	CABRIO
						18	996 701 401 12	sticker folding top control german	04-	1	CABRIO
11	996 731 903 00	mirror housing with illumination 01C satin black		1		18	996 701 401 13	sticker folding top control english	04-	1	CABRIO
12	999 631 137 90	bulb 3 W	-01	4	M 274	19	996 561 613 00	cover mounting		2	CABRIO
12	999 631 147 90	bulb 3 W	02-	4	M 274		01C satin black				
13	996 731 531 01	mirror glass with frame 01C satin black		2	M 274	20	996 555 291 00	deformation element	/L 00-	1	
(14)	996 561 607 01	mounting A09 rally black	/L 04-	1	CABRIO	20	996 555 292 00	deformation element a-pillar	/R 00-	1	
14	996 561 608 01	mounting A09 rally black	/R 04-	1	CABRIO	21	999 190 167 30	blind rivet 4,0 X 6,3	00-	10	
15	996 731 341 00	support sun visor 01C satin black	/L	1		22	996 555 619 00	grommet wiring harness rain sensor	01-	1	M 265
(15)	996 731 342 00	support sun visor 01C satin black	/R	1							
								- - - E N D - - -			

Model	Year	MG	SG	Illustration	Restrictions	Update	12:23	25.11.2005	PORSCHE	PET	PORSCHE
996t	05	8	07	807-10		194					



Pos	Part Number	Name	Remarks	Qty	Model
		door trim panel accessories			
1	191 853 615 A	grommet		3	
4	996 555 831 05	seal	/L	1	
(4)	996 555 832 05	seal		1	
-	000 043 101 00	use also: sealing cord		1	
(5)	996 555 121 05	door trim panel leather	/L -02	1	GT2/M 563
	ETC	black			
	VRV	dark grey/natural			
	VRW	brown/natural			
(5)	996 555 122 05	door trim panel leather	/R -02	1	GT2/M 563
	ETC	black			
	VRV	dark grey/natural			
	VRW	brown/natural			
(5)	996 555 121 08	door trim panel leather	/L 03-	1	GT2/M 563
	ETC	black			
	VRV	dark grey/natural			
	VRW	brown/natural			
(5)	996 555 122 08	door trim panel leather	/R 03-	1	GT2/M 563
	ETC	black			
	VRV	dark grey/natural			
	VRW	brown/natural			
(5)	996 555 121 07	door trim panel leather	/L -02	1	M490/680/563
	ETC	black			
	ETD	graphite grey			
	ETE	savanna			
	ETF	metropole blue			

Model	Year	MG	SG	Illustration	Restrictions	Update	12:23	25.11.2005	PORSCHE	PET	PORSCHE
996t	05	8	07	807-10		194					

Pos	Part Number	Name	Remarks	Qty	Model	Pos	Part Number	Name	Remarks	Qty	Model
		ETG nephrite green						ETE savanna			
		ETH boxster red						ETF metropole blue			
		VRV dark grey/natural						ETG nephrite green			
		VRW brown/natural						ETH boxster red			
		FEL cinnamon brown						FEL cinnamon brown			
(5)	996 555 122 07	door trim panel leather	/R -02	1	M490/680/563			VRV dark grey/natural			
		ETC black						VRW brown/natural			
		ETD graphite grey				-	999 911 688 40	adhesive tape 10 X 0,1 X 370		4	
		ETE savanna				6	999 507 582 40	clip white 8,0 X 0,9		8	
		ETF metropole blue				7	999 507 651 40	expander nut 9,0 X 0,9		2	
		ETG nephrite green				8	999 507 427 40	expander nut 6,3	-04	2	
		ETH boxster red				10	996 613 241 00	switch door mirror		1	
		VRV dark grey/natural						01C satin black			
(5)	996 555 121 09	door trim panel leather	/L 03-	1	M 680/563	(12)	996 555 651 03	lining door mirror	/LL/L	1	
		ETC black						A03 black			
		ETD graphite grey						C53 graphite grey			
		ETE savanna						S33 savanna			
		ETF metropole blue						G13 metropole blue			
		ETG nephrite green						J33 nephrite green			
		ETH boxster red						M33 boxster red			
		FEL cinnamon brown						P13 cinnamon brown			
		VRV dark grey/natural				(12)	996 555 652 03	lining door mirror	/RL/R	1	
		VRW brown/natural						A03 black			
(5)	996 555 122 09	door trim panel leather	/R 03-	1	M 680/563			C53 graphite grey			
		ETC black						S33 savanna			
		ETD graphite grey									

Model	Year	MG	SG	Illustration	Restrictions	Update	12:23	25.11.2005	PORSCHE	PET	PORSCHE
996t	05	8	07	807-10		194					

Pos	Part Number	Name	Remarks	Qty	Model	Pos	Part Number	Name	Remarks	Qty	Model
	G13	metropole blue					T12	brown/natural			
	J33	nephrite green					P12	cinnamon brown			
	M33	boxster red					P12	cinnamon brown			
	P13	cinnamon brown				(12)	996 555 984 01	lining	/LL/R	1	TURBO:XTF/ XTR
(12)	996 555 652 02	lining	/LL/R	1				leather			
	A03	black					A11	black			
	C53	graphite grey					C51	graphite grey			
	S33	savanna					S31	savanna			
	G13	metropole blue					G11	metropole blue			
	J33	nephrite green					J31	nephrite green			
	M33	boxster red					M31	boxster red			
	P13	cinnamon brown					D12	dark grey/natural			
(12)	996 555 651 02	lining door mirror	/RL/L	1		(12)	996 555 983 01	lining	/RL/L	1	TURBO:XTF/ XTR
	A03	black					P12	cinnamon brown			
	C53	graphite grey					P12	cinnamon brown			
	S33	savanna						leather			
	G13	metropole blue					A11	black			
	J33	nephrite green					C51	graphite grey			
	M33	boxster red					S31	savanna			
	P13	cinnamon brown					G11	metropole blue			
(12)	996 555 983 00	lining	/LL/L	1	TURBO:XTF/ XTR		J31	nephrite green			
		leather					M31	boxster red			
	A11	black					D12	dark grey/natural			
	C51	graphite grey					T12	brown/natural			
	S31	savanna					P12	cinnamon brown			
	G11	metropole blue					P12	cinnamon brown			
	J31	nephrite green				(12)	996 555 984 00	lining	/RL/R	1	TURBO:XTF/ XTR
	M31	boxster red						leather			
	D12	dark grey/natural									

Model	Year	MG	SG	Illustration	Restrictions	Update	12:23	25.11.2005	PORSCHE	PET	PORSCHE
996t	05	8	07	807-10		194					

Pos	Part Number	Name	Remarks	Qty	Model	Pos	Part Number	Name	Remarks	Qty	Model
	A11	black					A11	black			
	C51	graphite grey					D12	dark grey/natural	03-		
	S31	savanna					T12	brown/natural	03-		
	G11	metropole blue				(12)	996 555 983 01	lining	/RL/L02-	1	GT 2:XTF/ XTL/XTR
	J31	nephrite green						leather			
	M31	boxster red					A11	black			
	D12	dark grey/natural					D12	dark grey/natural	03-		
	T12	brown/natural					T12	brown/natural	03-		
	P12	cinnamon brown				(12)	996 555 984 00	lining	/RL/R02-	1	GT 2:XTF/ XTL/XTR
	P12	cinnamon brown						leather			
(12)	996 555 984 00	lining	/RL/R02-	1	GT 2:XTF/ XTL/XTR		A11	black			
		leather					D12	dark grey/natural	03-		
	A11	black					T12	brown/natural	03-		
	C51	graphite grey				(13)	996 555 251 01	inner door release	/LL/L01	1	
	S31	savanna						leather			
	G11	metropole blue					A11	black			
	J31	nephrite green					C51	graphite grey			
	M31	boxster red					S31	savanna			
	D12	dark grey/natural					G11	metropole blue			
	T12	brown/natural					J31	nephrite green			
	P12	cinnamon brown					M31	boxster red			
	P12	cinnamon brown					P12	cinnamon brown			
(12)	996 555 983 00	lining	/LL/L02-	1	GT 2:XTF/ XTL/XTR		D12	dark grey			
		leather					T12	brown/natural			
	A11	black				13	996 555 252 01	inner door release	/LL/R01	1	
	D12	dark grey/natural	03-					leather			
	T12	brown/natural	03-				A11	black			
(12)	996 555 984 01	lining	/LL/R02-	1	GT 2:XTF/ XTL/XTR		C51	graphite grey			
		leather					S31	savanna			
							G11	metropole blue			

Model	Year	MG	SG	Illustration	Restrictions	Update	12:23	25.11.2005	PORSCHE	PET	PORSCHE
996t	05	8	07	807-10		194					

Pos	Part Number	Name	Remarks	Qty	Model	Pos	Part Number	Name	Remarks	Qty	Model
	J31	nephrite green					S31	savanna			
	M31	boxster red					G11	metropole blue			
	P12	cinnamon brown					J31	nephrite green			
	D12	dark grey					M31	boxster red			
	T12	brown/natural					P12	cinnamon brown			
(13)	996 555 251 02	inner door release leather	/RL/L01	1			D12	dark grey			
	A11	black					T12	brown/natural			
	C51	graphite grey				13	996 555 252 03	inner door release leather	/LL/R02	1	
	S31	savanna					A11	black			
	G11	metropole blue					C51	graphite grey			
	J31	nephrite green					S31	savanna			
	M31	boxster red					G11	metropole blue			
	P12	cinnamon brown					J31	nephrite green			
	D12	dark grey					M31	boxster red			
	T12	brown/natural					P12	cinnamon brown			
13	996 555 252 02	inner door release leather	/RL/R01	1			D12	dark grey			
	A11	black					T12	brown/natural			
	C51	graphite grey				(13)	996 555 251 04	inner door release leather	/RL/L02	1	
	S31	savanna					A11	black			
	G11	metropole blue					C51	graphite grey			
	J31	nephrite green					S31	savanna			
	M31	boxster red					G11	metropole blue			
	P12	cinnamon brown					J31	nephrite green			
	D12	dark grey					M31	boxster red			
	T12	brown/natural					P12	cinnamon brown			
(13)	996 555 251 03	inner door release leather	/LL/L02	1			D12	dark grey			
	A11	black					T12	brown/natural			
	C51	graphite grey				13	996 555 252 04	inner door release leather	/RL/R02	1	

Model	Year	MG	SG	Illustration	Restrictions	Update	12:23	25.11.2005	PORSCHE	PET	PORSCHE
996t	05	8	07	807-10		194					

Pos	Part Number	Name	Remarks	Qty	Model	Pos	Part Number	Name	Remarks	Qty	Model
	A11	black					T12	brown/natural			
	C51	graphite grey				(13)	996 555 251 06	inner door release leather	/RL/L03-	1	
	S31	savanna					A11	black			
	G11	metropole blue					C51	graphite grey			
	J31	nephrite green					S31	savanna			
	M31	boxster red					G11	metropole blue			
	P12	cinnamon brown					J31	nephrite green			
	D12	dark grey					M31	boxster red			
	T12	brown/natural					P12	cinnamon brown			
(13)	996 555 251 05	inner door release leather	/LL/L03-	1			D12	dark grey			
	A11	black					T12	brown/natural			
	C51	graphite grey				(13)	996 555 252 06	inner door release complete leather	/RL/R03-	1	
	S31	savanna					A11	black			
	G11	metropole blue					C51	graphite grey			
	J31	nephrite green					S31	savanna			
	M31	boxster red					G11	metropole blue			
	P12	cinnamon brown					J31	nephrite green			
	D12	dark grey					M31	boxster red			
	T12	brown/natural					P12	cinnamon brown			
(13)	996 555 252 05	inner door release leather	/LL/R03-	1			D12	dark grey			
	A11	black					T12	brown/natural			
	C51	graphite grey				14	999 703 440 40	buffer 7 X 10 X 16		2	
	S31	savanna				15	999 507 476 01	clamp 8 X 10 X16		12	
	G11	metropole blue				(16)	996 555 425 03	handle	/L -02	1	
	J31	nephrite green					V01	silver			
	M31	boxster red				16	996 555 426 03	handle	/R -02	1	
	P12	cinnamon brown					V01	silver			
	D12	dark grey									

Model	Year	MG	SG	Illustration	Restrictions	Update	12:23	25.11.2005	PORSCHE	PET	PORSCHE
996t	05	8	07	807-10		194					

Pos	Part Number	Name	Remarks	Qty	Model	Pos	Part Number	Name	Remarks	Qty	Model
(16)	996 555 425 04	handle	/L 03-	1		27	996 555 592 00	cover handle leather	/R	1	
	V03	silver					A11	black			
16	996 555 426 04	handle	%R 03-	1			C51	graphite grey			
	V03	silver					S31	savanna			
17	999 166 084 02	bolt 4 X 39 X 37		2			G11	metropole blue			
18	999 166 026 02	lock 4		2			J31	nephrite green			
(19)	999 702 281 40	grommet		2			M31	boxster red			
20	996 613 123 00	microswitch		2			D12	dark grey			
21	999 073 113 09	oval-head screw M 6 X 50		2			T12	brown/natural			
22	999 073 112 09	oval-head screw M 6 X 80		2			P12	cinnamon brown			
23	999 073 061 02	tapping screw 4,8 X 16		2		(27)	996 555 988 02	cover carbon	/L	1	XTL
24	999 522 015 00	tension spring		2		27	996 555 989 02	cover carbon	/R	1	XTL
25	996 555 635 00	hose		2		32	996 555 623 01	cap	-02	2	
26	999 073 080 02	tapping screw 4,2 X 16		8			V01	silver			
(27)	996 555 591 00	cover handle leather	/L	1		32	996 555 623 02	cap	03-	2	
	A11	black					V03	silver			
	C51	graphite grey				33	999 067 043 02	pan-head screw M 5 X 10		1	
	S31	savanna				(34)	996 555 221 00	cover leather	/L -02	1	
	G11	metropole blue					A11	black			
	J31	nephrite green					C51	graphite grey			
	M31	boxster red					S31	savanna			
	D12	dark grey					G11	metropole blue			
	T12	brown/natural					J31	nephrite green			
	P12	cinnamon brown					M31	boxster red			
							D12	dark grey			
							T12	brown/natural			

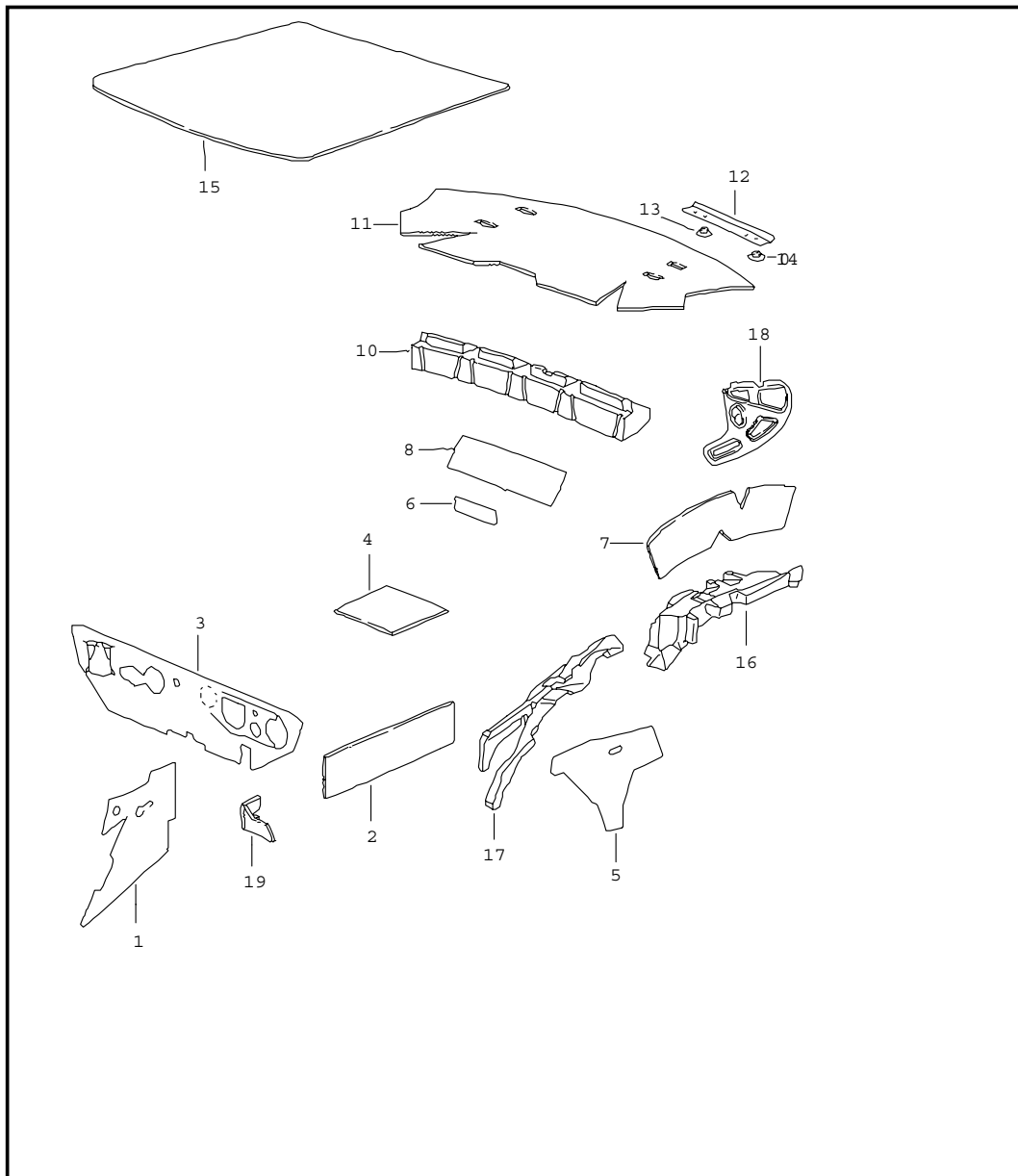
Model	Year	MG	SG	Illustration	Restrictions	Update	12:23	25.11.2005	PORSCHE	PET	PORSCHE
996t	05	8	07	807-10		194					

Pos	Part Number	Name	Remarks	Qty	Model	Pos	Part Number	Name	Remarks	Qty	Model
34	P12	cinnamon brown					P12	cinnamon brown			
	996 555 222 00	cover leather	/R -02	1			D12	dark grey/natural			
	A11	black					T12	brown/natural			
	C51	graphite grey				(34)	996 555 980 00	cover rootwood light	/L -02	1	XTJ
	S31	savanna				(34)	996 555 980 04	cover rootwood light	/L 03-	1	XTJ
	G11	metropole blue				34	996 555 981 00	cover rootwood light	/R -02	1	XTJ
	J31	nephrite green				34	996 555 981 04	cover rootwood light	/R 03-	1	XTJ
	M31	boxster red				(34)	996 555 980 01	cover rootwood dark	/L -02	1	XTK
	D12	dark grey				(34)	996 555 980 05	cover rootwood dark	/L 03-	1	XTK
	T12	brown/natural				34	996 555 981 01	cover rootwood dark	/R -02	1	XTK
34	996 555 221 01	cover leather	/L 03-	1		34	996 555 981 05	cover rootwood dark	/R 03-	1	XTK
	A11	black				(34)	996 555 980 02	cover carbon	/L -02	1	XTL
	C51	graphite grey				34	996 555 981 02	cover carbon	/R -02	1	XTL
	S31	savanna				(34)	996 555 980 06	cover carbon	/L 03-	1	
	G11	metropole blue				(34)	996 555 981 06	cover carbon	/R 03-	1	
	J31	nephrite green				--	996 555 483 00	buffer		4	
	M31	boxster red				35	996 555 611 01	handle lacquered	-02	2	
	P12	cinnamon brown					V01	silver			
	D12	dark grey/natural									
	T12	brown/natural									
(34)	996 555 222 01	cover leather	/R 03-	1		(34)	996 555 980 06	cover carbon	/L 03-	1	
	A11	black				(34)	996 555 981 06	cover carbon	/R 03-	1	
	C51	graphite grey									
	S31	savanna									
	G11	metropole blue									
	J31	nephrite green									
	M31	boxster red									

Model	Year	MG	SG	Illustration	Restrictions	Update	12:23	25.11.2005	PORSCHE	PET	PORSCHE
996t	05	8	07	807-10		194					

Pos	Part Number	Name	Remarks	Qty	Model	Pos	Part Number	Name	Remarks	Qty	Model
35	996 555 611 02	handle lacquered	03-	2							
	V03	sport silver									
(37)	996 555 441 00	end plate	/L	1							
37	996 555 442 00	end plate	/R	1							
38	999 094 018 00	bolt		2							
		- - - E N D - - -									

Model	Year	MG	SG	Illustration	Restrictions	Update	12:23	25.11.2005	PORSCHE	PET	PORSCHE
996t	05	8	07	807-15		194					



Pos	Part Number	Name	Remarks	Qty	Model
		body sound proofing 1			COUPE
1	996 556 605 01	sound absorber wheel housing front	/L	1	
(1)	996 556 606 01	sound absorber wheel housing front	/R	1	
2	996 556 531 01	insulation door in white		2	
3	996 556 723 01	sound absorber firewall	/LL	1	
(3)	996 556 724 01	sound absorber firewall	/RL	1	
4	996 556 503 01	insulation floor 228 X 230		1	
5	996 556 655 02	sound absorber	/L	1	TURBO
(5)	996 556 656 02	sound absorber side trim panel	/R	1	TURBO
6	996 556 503 01	insulation seat well it is necessary to rework 160 X 40	/L/R	1	
7	996 556 507 01	insulation	/H/L	1	
(7)	996 556 508 01	insulation wheel housing	/H/R	1	
8	996 556 511 01	insulation rear wall 430 X 120		1	
10	996 556 581 00	sound absorber rear wall	-01	1	
11	996 556 711 03	sound absorber F >>994S6 80654 F >>994S6 95107 engine compartment		1	
(11)	996 556 711 04	sound absorber F 994S6 80655>> F 994S6 95108>> engine compartment		1	
12	996 556 761 01	retaining strip		1	

Model	Year	MG	SG	Illustration	Restrictions	Update	12:23	25.11.2005	PORSCHE	PET	PORSCHE
996t	05	8	07	807-15		194					

Pos	Part Number	Name	Remarks	Qty	Model	Pos	Part Number	Name	Remarks	Qty	Model
13	999 049 020 40	plastic nut T5/30 X 5,1		5							
15	996 556 647 01	sound absorber roof		1	TURBO						
(16)	996 556 812 01	filler piece back wall lining		1							
16	996 556 657 00	sound absorber	/H/L -02	1							
16	996 556 657 03	sound absorber	/H/L 03-	1							
(16)	996 556 658 00	sound absorber	/H/R -02	1							
(16)	996 556 658 03	sound absorber wheel-housing liner	/H/R 03-	1							
17	996 556 571 00	sound absorber	/L	1	TURBO						
(17)	996 556 572 00	sound absorber side trim panel	/R	1	TURBO						
(18)	996 556 753 01	seal	/L/O	1							
(18)	996 556 754 01	seal side section	/R/O	1							
		- - - E N D - - -									

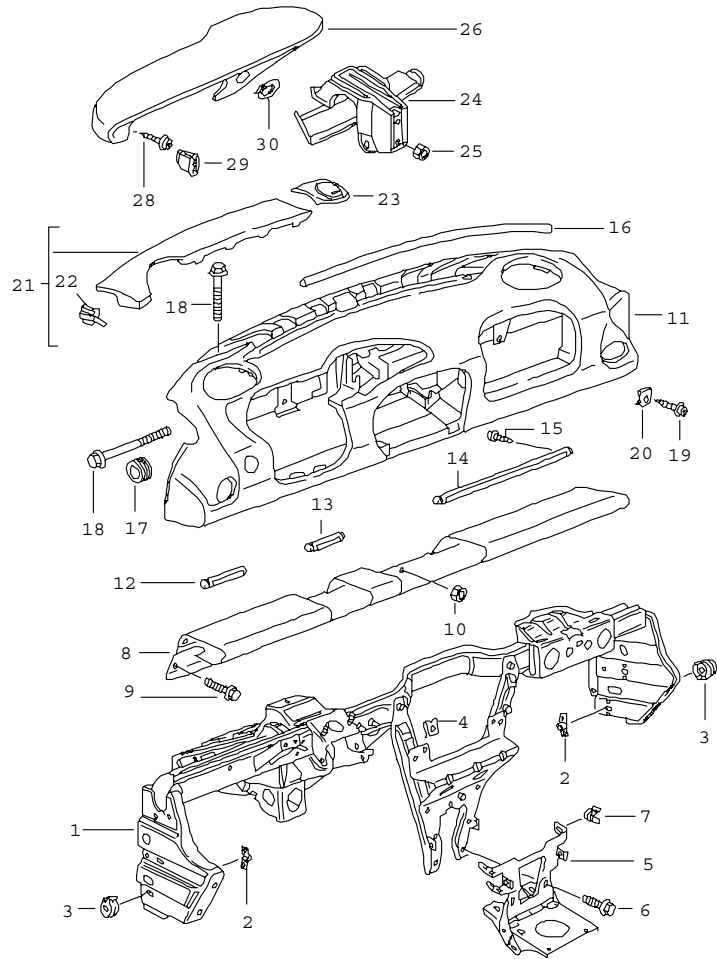
Model	Year	MG	SG	Illustration	Restrictions	Update	12:24	25.11.2005	PORSCHE	PET	PORSCHE
996t	05	8	07	807-16		194					

Pos	Part Number	Name	Remarks	Qty	Model
		body sound proofing 1	04-		CABRIO
1	996 556 605 01	sound absorber wheel housing front	/L	1	
(1)	996 556 606 01	sound absorber wheel housing front	/R	1	
2	996 556 531 01	insulation door in white		2	
3	996 556 723 01	sound absorber firewall	/LL	1	
(3)	996 556 724 01	sound absorber firewall	/RL	1	
4	996 556 503 01	insulation floor 228 X 230		2	
5	996 556 507 02	insulation wheel housing rear	/L	1	
(5)	996 556 508 02	insulation wheel housing rear	/R	1	
6	996 556 511 01	insulation rear wall 430 X 120		1	
7	996 556 611 02	sound absorber convertible top tray	/L	1	
(7)	996 556 612 01	sound absorber convertible top tray	/R	1	
8	996 556 711 03	sound absorber F >>99XS6 70858 engine compartment		1	
(8)	996 556 711 04	sound absorber F 99XS6 70859>> engine compartment		1	
9	996 556 761 01	retaining strip engine compartment		1	
10	999 049 020 40	plastic nut T5/30 X 5,1		5	

Model	Year	MG	SG	Illustration	Restrictions	Update	12:24	25.11.2005	PORSCHE	PET	PORSCHE
996t	05	8	07	807-16		194					

Pos	Part Number	Name	Remarks	Qty	Model	Pos	Part Number	Name	Remarks	Qty	Model
11	996 556 657 04	sound absorber wheel-housing liner rear	/L 04-	1							
11	996 556 658 04	sound absorber wheel-housing liner rear	/R 04-	1							
12	996 556 653 00	sound absorber control units	04-	1							
		- - - E N D - - -									

Model	Year	MG	SG	Illustration	Restrictions	Update	12:24	25.11.2005	PORSCHE	PET	PORSCHE
996t	05	8	09	809-00		194					



Pos	Part Number	Name	Remarks	Qty	Model
		dashboard trim with retaining frame			
1	996 552 061 12	retaining frame	/LL	1	
(1)	996 552 061 13	retaining frame	/RL	1	
2	996 552 805 00	threaded plate		4	
3	996 552 545 00	shim		4	
4	999 507 462 02	speed nut		9	
4	999 591 855 02	speed nut 4,8		1	
(5)	996 552 309 08	support		1	M 476
7	999 507 574 02	clamp 8 X 10/1,2		4	
11	996 552 101 00	dashboard trim leather	/LL 01	1	M 981
		EVL black			
		C51 graphite grey			
		S31 savanna			
		G11 metropole blue			
		J31 nephrite green			
		M31 boxster red			
		P12 cinnamon brown			
		D12 dark grey/natural			
		T12 brown/natural			
(11)	996 552 102 00	dashboard trim leather	/RL 01	1	M 981
		EVL black			
		C51 graphite grey			
		S31 savanna			
		G11 metropole blue			
		J31 nephrite green			
		M31 boxster red			

Model	Year	MG	SG	Illustration	Restrictions	Update	12:24	25.11.2005	PORSCHE	PET	PORSCHE
996t	05	8	09	809-00		194					

Pos	Part Number	Name	Remarks	Qty	Model	Pos	Part Number	Name	Remarks	Qty	Model
		P12 cinnamon brown				--	999 507 768 02	speed nut 4,2		18	
		D12 dark grey/natural				--	999 507 533 02	clamp 8 X 10/2,5		23	
		T12 brown/natural									
(11)	996 552 101 01	dashboard trim leather with cut-outs glove compartment	/LL 02-	1	M 981	--	996 552 749 00	reinforcement strip	/LL 02-	1	
		A11 black				--	996 552 750 00	reinforcement strip driver's side	/RL 02-	1	
		C51 graphite grey				--	996 552 753 00	reinforcement strip	/LL 02-	1	M 573
		S31 savanna				--	996 552 754 00	reinforcement strip glove compartment	/RL 02-	1	M 573
		G11 metropole blue				--	999 073 169 07	tapping screw 4,8 X 16	02-	2	
		J31 nephrite green				--	999 507 462 02	speed nut 4,8	02-	5	
		M31 boxer red				--	999 507 796 02	u-clamp	02-	3	
		P12 cinnamon brown				12	996 552 381 02	moulding driver's side lacquered	/LL/L	1	
		D12 dark grey/natural					A03	black			
		T12 brown/natural					C53	graphite grey			
(11)	996 552 102 01	dashboard trim leather with cut-outs glove compartment	/RL 02-	1	M 981		S33	savanna			
		A11 black					G13	metropole blue			
		C51 graphite grey					J33	nephrite green			
		S31 savanna					M33	boxster red			
		G11 metropole blue					P13	cinnamon brown			
		J31 nephrite green				(12)	996 552 382 01	moulding driver's side lacquered	/RL/R	1	
		M31 boxer red					A03	black			
		P12 cinnamon brown					C53	graphite grey			
		D12 dark grey/natural					S33	savanna			
		T12 brown/natural					G13	metropole blue			
--	999 551 145 40	lining strap 15 X 1,3 X 50		2			J33	nephrite green			
							M33	boxster red			

Model	Year	MG	SG	Illustration	Restrictions	Update	12:24	25.11.2005	PORSCHE	PET	PORSCHE
996t	05	8	09	809-00		194					

Pos	Part Number	Name	Remarks	Qty	Model	Pos	Part Number	Name	Remarks	Qty	Model
	P13	cinnamon brown				12	996 552 996 05	moulding driver's side rootwood dark	/LL/L	1	XNW
12	996 552 996 00	moulding driver's side leather	/LL/L	1	XNU						
	A11	black				(12)	996 552 997 05	moulding driver's side rootwood dark	/RL/R	1	XNW
	C51	graphite grey									
	S31	savanna				12	996 552 996 01	moulding driver's side carbon	/LL/L	1	XNX
	G11	metropole blue				(12)	996 552 997 01	moulding driver's side carbon	/RL/R	1	XNX
	J31	nephrite green									
	M31	boxster red									
	D12	dark grey				12	996 552 996 03	moulding driver's side aluminium arctic silver	/LL/L-02	1	XNY
	T12	brown/natural									
	P12	cinnamon brown				(12)	996 552 997 03	moulding driver's side aluminium arctic silver	/RL/R-02	1	XNY
(12)	996 552 997 00	moulding driver's side leather	/RL/R	1	XNU						
	A11	black				12	996 552 996 12	moulding driver's side	/LL 03-	1	XCA
	C51	graphite grey				(12)	996 552 997 12	moulding aluminium silver driver's side	/RL 03-	1	XCA
	S31	savanna									
	G11	metropole blue									
	J31	nephrite green				13	996 552 383 02	moulding centre lacquered	/LL	1	
	M31	boxster red									
	D12	dark grey					A03	black			
	T12	brown/natural					C53	graphite grey			
	P12	cinnamon brown					S33	savanna			
12	996 552 996 04	moulding driver's side rootwood light	/LL/L	1	XNV		G13	metropole blue			
							J33	nephrite green			
(12)	996 552 997 04	moulding driver's side rootwood light	/RL/R	1	XNV		M33	boxster red			
							P13	cinnamon brown			
						(13)	996 552 384 01	moulding centre lacquered	/RL	1	

Model	Year	MG	SG	Illustration	Restrictions	Update	12:24	25.11.2005	PORSCHE	PET	PORSCHE
996t	05	8	09	809-00		194					

Pos	Part Number	Name	Remarks	Qty	Model	Pos	Part Number	Name	Remarks	Qty	Model
	A03	black				13	996 552 998 08	moulding centre rootwood light	/LL	1	XNV
	C53	graphite grey									
	S33	savanna				(13)	996 552 998 09	moulding centre rootwood light	/RL	1	XNV
	G13	metropole blue									
	J33	nephrite green									
	M33	boxster red				13	996 552 998 10	moulding centre rootwood dark	/LL	1	XNW
	P13	cinnamon brown									
13	996 552 998 00	moulding centre leather	/LL	1	XNU	(13)	996 552 998 11	moulding centre rootwood dark	/RL	1	XNW
	A11	black									
	C51	graphite grey				13	996 552 998 02	moulding centre carbon	/LL	1	XNX
	S31	savanna									
	G11	metropole blue				(13)	996 552 998 03	moulding centre carbon	/RL	1	XNX
	J31	nephrite green									
	M31	boxster red				13	996 552 998 06	moulding centre aluminium arctic silver	/LL -02	1	XNY
	D12	dark grey									
	T12	brown/natural				(13)	996 552 998 07	moulding centre aluminium arctic silver	/RL -02	1	XNY
	P12	cinnamon brown									
(13)	996 552 998 01	moulding centre leather	/RL	1	XNU	13	996 552 998 14	moulding centre aluminium silver	/LL 03-	1	XCA
	A11	black									
	C51	graphite grey				(13)	996 552 998 15	moulding centre aluminium silver	/RL 03-	1	XCA
	S31	savanna									
	G11	metropole blue									
	J31	nephrite green				14	996 552 385 03	moulding passenger's side lacquered	/LL/R	1	
	M31	boxster red									
	D12	dark grey					A03	black			
	T12	brown/natural					C53	graphite grey			
	P12	cinnamon brown					S33	savanna			

Model	Year	MG	SG	Illustration	Restrictions	Update	12:24	25.11.2005	PORSCHE	PET	PORSCHE
996t	05	8	09	809-00		194					

Pos	Part Number	Name	Remarks	Qty	Model	Pos	Part Number	Name	Remarks	Qty	Model
	G13	metropole blue					G11	metropole blue			
	J33	nephrite green					J31	nephrite green			
	M33	boxster red					M31	boxster red			
	P13	cinnamon brown					D12	dark grey			
(14)	996 552 386 03	moulding passenger's side lacquered	/RL/L	1			T12	brown/natural			
	A03	black				(14)	996 552 959 02	moulding passenger's side rootwood light	/LL/R	1	XNV
	C53	graphite grey				(14)	996 552 959 03	moulding passenger's side rootwood light	/RL/L	1	XNV
	S33	savanna				(14)	996 552 959 04	moulding passenger's side rootwood dark	/LL/R	1	XNW
	G13	metropole blue				(14)	996 552 959 05	moulding passenger's side rootwood dark	/RL/L	1	XNW
	J33	nephrite green				(14)	996 552 959 06	moulding passenger's side carbon	/LL/R	1	XNX
	M33	boxster red				(14)	996 552 959 07	moulding passenger's side carbon	/RL/L	1	XNX
14	996 552 959 00	moulding passenger's side leather	/LL/R	1	XNU	14	996 552 959 08	moulding passenger's side aluminium arctic silver	/LL/R-02	1	XNY
	A11	black				(14)	996 552 959 09	moulding passenger's side aluminium arctic silver	/RL/L-02	1	XNY
	C51	graphite grey				14	996 552 959 11	moulding passenger's side aluminium silver	/RL/L03-	1	XCA
	S31	savanna									
(14)	996 552 959 01	moulding passenger's side leather	/RL/L	1	XNU						
	A11	black									
	C51	graphite grey									
	S31	savanna									

Model	Year	MG	SG	Illustration	Restrictions	Update	12:24	25.11.2005	PORSCHE	PET	PORSCHE
996t	05	8	09	809-00		194					

Pos	Part Number	Name	Remarks	Qty	Model	Pos	Part Number	Name	Remarks	Qty	Model
(14)	996 552 959 11	moulding passenger's side aluminium silver	/RL/L03-	1			VRK	black			
							C51	graphite grey			
15	999 919 203 07	oval-head screw 3 X 10		11			S31	savanna			
16	996 552 645 00	gasket cowl		1			J31	nephrite green			
17	999 703 466 40	plug 15,0 X 5,0		2			M31	boxster red			
18	999 074 057 09	hexagon-head bolt M 8 X 125		4			G11	metropole blue			
19	999 073 169 07	tapping screw 4,8 X 16		11			D12	dark grey			
20	999 507 462 02	speed nut 4,8		19		(21)	T12	brown/natural			
21	996 552 185 04	defroster trim	/L	1			P12	cinnamon brown			
	A03	black					996 552 989 05	defroster trim leather	/R	1	XV1
	C53	graphite grey					VRK	black			
	S33	savanna					C51	graphite grey			
	G13	metropole blue					S31	savanna			
	J33	nephrite green					J31	nephrite green			
	M33	boxster red					M31	boxster red			
	P13	cinnamon brown					G11	metropole blue			
(21)	996 552 186 04	defroster trim lacquered	/R	1		21	D12	dark grey			
	A03	black					T12	brown/natural			
	C53	graphite grey					996 552 988 04	defroster trim carbon leather	/L	1	XKJ
	S33	savanna					VRK	black			
	G13	metropole blue					C51	graphite grey			
	J33	nephrite green					S31	savanna			
	M33	boxster red					J31	nephrite green			
	P13	cinnamon brown					M31	boxster red			
21	996 552 988 05	defroster trim	/L	1	XV1		G11	metropole blue			
							D12	dark grey			
							T12	brown/natural			

Model	Year	MG	SG	Illustration	Restrictions	Update	12:24	25.11.2005	PORSCHE	PET	PORSCHE
996t	05	8	09	809-00		194					

Pos	Part Number	Name	Remarks	Qty	Model	Pos	Part Number	Name	Remarks	Qty	Model
(21)	996 552 989 04	P12 cinnamon brown defroster trim carbon leather	/R	1	XKJ		D12	dark grey			
	VRK	black				24	996 552 617 03	support	/LL	1	
	C51	graphite grey				(24)	996 552 618 02	support instrument wiring harness	/RL	1	
	S31	savanna				--	999 591 883 02	speed nut 4,8		2	
	J31	nephrite green				25	900 380 015 09	hexagon nut M 6		2	
	M31	boxster red				26	996 552 025 01	cover leather	/LL -02	1	
	G11	metropole blue					ETQ	black			
	D12	dark grey					EUR	graphite grey			
	T12	brown/natural					EUS	savanna			
22	999 507 685 02	P12 cinnamon brown clamp 1,8-5,0		2			EUT	metropole blue			
23	996 552 181 04	cover		1			EUV	nephrite green			
	A03	black					EUW	boxster red			
	C53	graphite grey					FEJ	cinnamon brown			
	S33	savanna					VRP	dark grey			
	G13	metropole blue					VRQ	brown			
	J33	nephrite green				(26)	996 552 026 01	cover leather	/RL -02	1	
	M33	boxster red					ETQ	black			
23	996 552 990 02	P13 cinnamon brown cover light leather		1	XV1		EUR	graphite grey			
	VRK	black					EUS	savanna			
	C51	graphite grey					EUT	metropole blue			
	S31	savanna					EUV	nephrite green			
	J31	nephrite green					EUW	boxster red			
	M31	boxster red					FEJ	cinnamon brown			
	G11	metropole blue					VRP	dark grey			

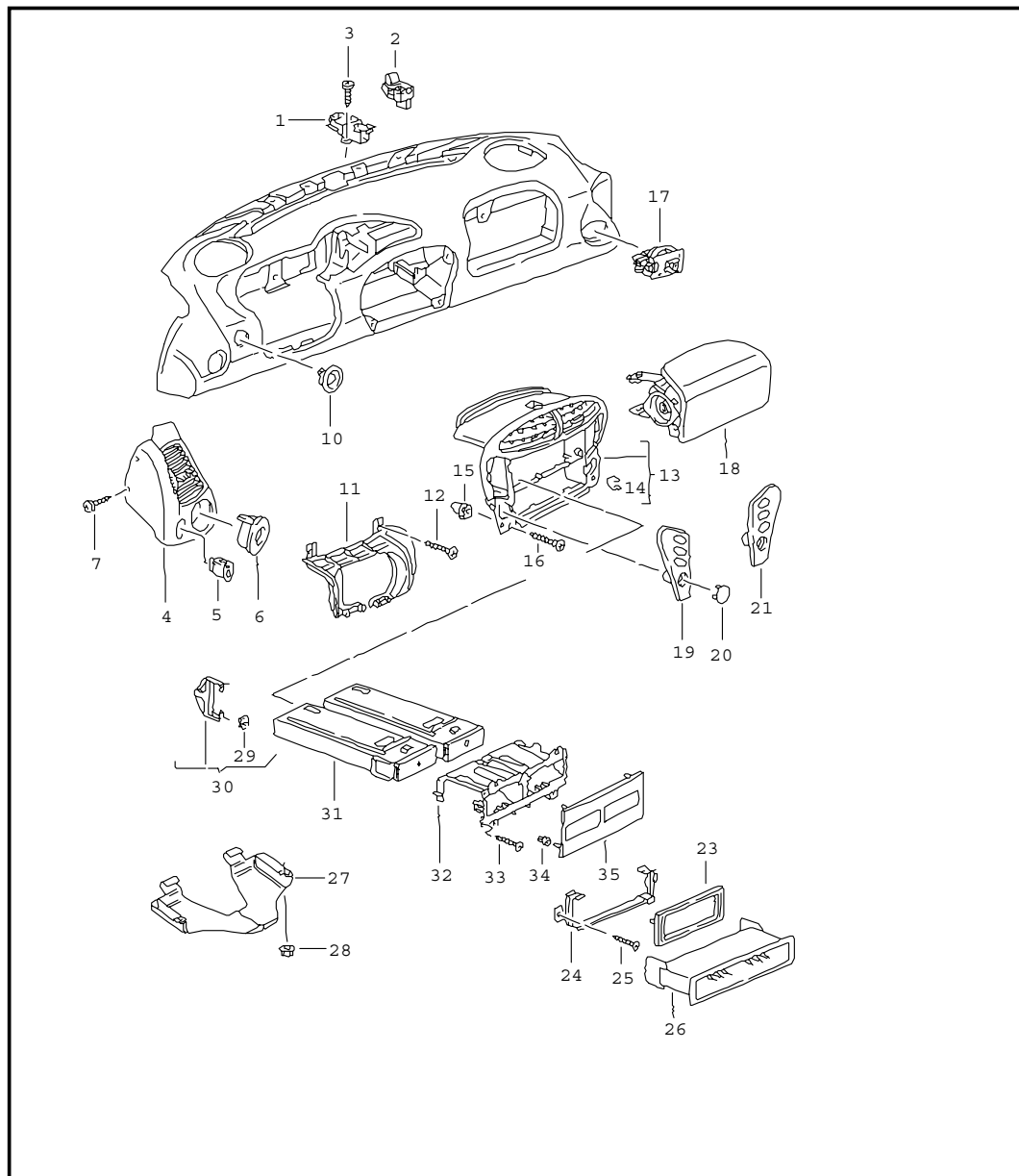
Model	Year	MG	SG	Illustration	Restrictions	Update	12:24	25.11.2005	PORSCHE	PET	PORSCHE
996t	05	8	09	809-00		194					

Pos	Part Number	Name	Remarks	Qty	Model	Pos	Part Number	Name	Remarks	Qty	Model
26	996 552 025 02	VRQ brown cover instruments leather	/LL 03-	1	M 981		J33	nephrite green			
		ETQ black				(29)	996 552 626 02	cover lacquered microphone	/RL	1	
		EUR graphite grey					M33	boxster red			
		EUS savanna					P13	cinnamon brown			
		EUT metropole blue					A03	black			
		EUW boxster red					C53	graphite grey			
		FEJ cinnamon brown					S33	savanna			
		VRP dark grey/natural					G13	metropole blue			
		VRQ brown/natural					J33	nephrite green			
(26)	996 552 026 02	cover instruments leather	/RL 03-	1	M 981	30	996 552 469 01	rose hazard warning light sw. lacquered	/LL	1	
		ETQ black					A03	black			
		EUR graphite grey					C53	graphite grey			
		EUS savanna					S33	savanna			
		EUT metropole blue					G13	metropole blue			
		EUW boxster red					J33	nephrite green			
		FEJ cinnamon brown					M33	boxster red			
		VRP dark grey/natural					P13	cinnamon brown			
		VRQ brown/natural									
(28)	999 073 220 09	tapping screw 4,8 X 25	01-	2		(30)	996 552 470 01	rose hazard warning light sw. lacquered	/RL	1	
--	999 507 033 02	speed nut 4,8		2			A03	black			
29	996 552 625 02	cover microphone	/LL	1			C53	graphite grey			
		A03 black					S33	savanna			
		C53 graphite grey					G13	metropole blue			
		S33 savanna					J33	nephrite green			
		G13 metropole blue					M33	boxster red			

Model	Year	MG	SG	Illustration	Restrictions	Update	12:24	25.11.2005	PORSCHE	PET	PORSCHE
996t	05	8	09	809-00		194					

Pos	Part Number	Name	Remarks	Qty	Model	Pos	Part Number	Name	Remarks	Qty	Model
	P13	cinnamon brown									
30	996 552 966 00	rose hazard warning light sw. leather	/LL	1							
	A11	black									
	C51	graphite grey									
	S31	savanna									
	G11	metropole blue									
	J31	nephrite green	-03								
	M31	boxster red									
	P12	cinnamon brown									
	D12	dark grey/natural									
	T12	brown/natural									
(30)	996 552 966 01	rose hazard warning light sw. leather	/RL	1							
	A11	black									
	C51	graphite grey									
	S31	savanna									
	G11	metropole blue									
	J31	nephrite green	-03								
	M31	boxster red									
	P12	cinnamon brown									
	D12	dark grey/natural									
	T12	brown/natural									
		- - - E N D - - -									

Model	Year	MG	SG	Illustration	Restrictions	Update	12:24	25.11.2005	PORSCHE	PET	PORSCHE
996t	05	8	09	809-01		194					



Pos	Part Number	Name	Remarks	Qty	Model
		accessories dashboard trim	-01		
1	996 552 541 02	mounting light		1	
2	996 653 251 00	sensor		1	M 573
3	999 919 120 09	oval-head screw 4,0 X 18		2	
4	996 552 225 05	side vent lacquered	/L	1	
		A03 black			
		C53 graphite grey			
		S33 savanna			
		G13 metropole blue			
		J33 nephrite green			
		M33 boxer red			
		P13 cinnamon brown			
(4)	996 552 228 05	side vent lacquered	/R	1	
		A03 black			
		C53 graphite grey			
		S33 savanna			
		G13 metropole blue			
		J33 nephrite green			
		M33 boxer red			
		P13 cinnamon brown			
4	996 552 984 00	side vent leather	/L 01-	1	XN3
		VRK black			
		C51 graphite grey			
		S31 savanna			
		G11 metropole blue			
		J31 nephrite green			

Model	Year	MG	SG	Illustration	Restrictions	Update	12:24	25.11.2005	PORSCHE	PET	PORSCHE
996t	05	8	09	809-01		194					

Pos	Part Number	Name	Remarks	Qty	Model	Pos	Part Number	Name	Remarks	Qty	Model
	M31	boxster red					S31	savanna			
	D12	dark grey					J31	nephrite green			
	T12	brown/natural					M31	boxster red			
	P12	cinnamon brown					G11	metropole blue			
(4)	996 552 985 00	side vent leather	/R 01-	1	XN3		D12	dark grey			
	VRK	black					T12	brown/natural			
	C51	graphite grey					P12	cinnamon brown			
	S31	savanna				(4)	996 552 984 05	side vent arctic silver leather	/L	1	XKE
	G11	metropole blue					VRK	black			
	J31	nephrite green					C51	graphite grey			
	M31	boxster red					S31	savanna			
	D12	dark grey					J31	nephrite green			
	T12	brown/natural					M31	boxster red			
	P12	cinnamon brown					G11	metropole blue			
4	996 552 984 03	side vent carbon LEADER	/L	1	XKD		D12	dark grey			
	VRK	black					T12	brown/natural			
	C51	graphite grey					P12	cinnamon brown			
	S31	savanna				4	996 552 985 05	side vent arctic silver leather	/R	1	XKE
	J31	nephrite green					VRK	black			
	M31	boxster red					C51	graphite grey			
	G11	metropole blue					S31	savanna			
	D12	dark grey					J31	nephrite green			
	T12	brown/natural					M31	boxster red			
	P12	cinnamon brown					G11	metropole blue			
(4)	996 552 985 03	side vent carbon LEADER	/R	1	XKD		D12	dark grey			
	VRK	black					T12	brown/natural			
	C51	graphite grey					P12	cinnamon brown			

Model	Year	MG	SG	Illustration	Restrictions	Update	12:24	25.11.2005	PORSCHE	PET	PORSCHE
996t	05	8	09	809-01		194					

Pos	Part Number	Name	Remarks	Qty	Model	Pos	Part Number	Name	Remarks	Qty	Model
4	996 552 984 02	side vent rootwood dark grey leather	/L 01-	1	XKC		P13	cinnamon brown			
	VRK	black				5	996 552 986 00	ABDECKUNG headlight levelling system leather		1	XNH
	C51	side vent					A11	black			
	S31	savanna					C51	graphite grey			
	J31	nephrite green					S31	savanna			
	M31	boxster red					J31	nephrite green			
	D12	dark grey					M31	boxster red			
	T12	brown/natural					G11	metropole blue			
	P12	cinnamon brown					D12	dark grey			
(4)	996 552 985 02	side vent rootwood dark grey leather	/R 01-	1	XKC		T12	brown/natural			
	VRK	black					P12	cinnamon brown			
	C51	side vent				5	996 552 986 01	cover headlight levelling system rootwood light		2	XKB
	S31	savanna									
	J31	nephrite green				5	996 552 986 02	cover headlight levelling system rootwood dark		2	XKC
	M31	boxster red									
	D12	dark grey				5	996 552 986 03	cover headlight levelling system carbon		2	XKD
	T12	brown/natural									
	P12	cinnamon brown				6	996 552 417 02	rose interior sensor lacquered		1	
5	996 552 621 01	cover headlight levelling system lacquered		1			A03	black			
	A03	black					C53	graphite grey			
	C53	graphite grey					S33	savanna			
	S33	savanna					G13	metropole blue			
	G13	metropole blue					J33	nephrite green			
	J33	nephrite green					M33	boxster red			
	M33	boxster red					P13	cinnamon brown			

Model	Year	MG	SG	Illustration	Restrictions	Update	12:24	25.11.2005	PORSCHE	PET	PORSCHE
996t	05	8	09	809-01		194					

Pos	Part Number	Name	Remarks	Qty	Model	Pos	Part Number	Name	Remarks	Qty	Model
6	996 552 987 00	rose interior sensor leather		1	XNH		M33	boxster red			
	A11	black					P13	cinnamon brown			
	C51	graphite grey				10	996 552 980 00	rose ignition starter lock leather	/LL 01-	1	M XJ4
	S31	savanna					A11	black			
	J31	nephrite green					C51	graphite grey			
	M31	boxster red					S31	savanna			
	G11	metropole blue					G11	metropole blue			
	D12	dark grey					J31	nephrite green			
	T12	brown/natural					M31	boxster red			
	P12	cinnamon brown					P12	cinnamon brown			
7	999 073 218 09	tapping screw 4,2 X 16		4			D12	dark grey/natural			
10	996 552 235 03	rose ignition starter lock	/LL	1		(10)	996 552 980 01	rose ignition starter lock leather	/RL 01-	1	M XJ4
	A03	black					A11	black			
	C53	graphite grey					C51	graphite grey			
	S33	savanna					S31	savanna			
	G13	metropole blue					G11	metropole blue			
	B13	space grey					J31	nephrite green			
	J33	nephrite green					M31	boxster red			
	M33	boxster red					P12	cinnamon brown			
	P13	cinnamon brown					D12	dark grey/natural			
(10)	996 552 236 03	rose ignition starter lock	/RL	1			T12	brown/natural			
	A03	black				11	996 552 271 03	cover steering		1	
	C53	graphite grey					A03	black			
	S33	savanna				11	986 552 988 03	cover steering leather	01-	1	XNS
	G13	metropole blue					VRK	black			
	B13	space grey									
	J33	nephrite green									

Model	Year	MG	SG	Illustration	Restrictions	Update	12:24	25.11.2005	PORSCHE	PET	PORSCHE
996t	05	8	09	809-01		194					

Pos	Part Number	Name	Remarks	Qty	Model	Pos	Part Number	Name	Remarks	Qty	Model
	S31	savanna					J31	nephrite green			
	G11	metropole blue					M31	boxster red			
	J31	nephrite green					D12	dark grey	00-		
	M31	boxster red					T12	brown/natural	00-		
	D12	dark grey/natural					P12	cinnamon brown	01		
	T12	brown/natural				(13)	996 552 969 09	support frame leather		1	XNN:M 662
	C51	graphite grey					A11	black			
	P12	cinnamon brown					C51	graphite grey			
--	999 591 850 02	speed nut 4,2		2			S31	savanna			
13	996 552 131 04	support frame	01	1			J31	nephrite green			
	A03	black					M31	boxster red			
	C53	graphite grey					D12	dark grey	00-		
	S33	savanna					T12	brown/natural	00-		
	G13	metropole blue					P12	cinnamon brown	01		
	J33	nephrite green				(13)	996 552 969 10	support frame rootwood light	01	1	XKR
	M33	boxster red					01C	satin black			
	P13	cinnamon brown					C53	graphite grey			
(13)	996 552 131 05	support frame	01	1	M 662		S33	savanna			
	A03	black					G13	metropole blue			
	C53	graphite grey					J33	nephrite green			
	S33	savanna					M33	boxster red			
	G13	metropole blue					D12	dark grey	00-		
	J33	nephrite green					T12	brown/natural	00-		
	M33	boxster red					P13	cinnamon brown	01		
(13)	996 552 969 08	support frame		1	XNN	(13)	996 552 969 11	support frame rootwood light	01	1	XKR:M 662
	A11	black					01C	satin black			
	C51	graphite grey					C53	graphite grey			
	S31	savanna									

Model	Year	MG	SG	Illustration	Restrictions	Update	12:24	25.11.2005	PORSCHE	PET	PORSCHE
996t	05	8	09	809-01		194					

Pos	Part Number	Name	Remarks	Qty	Model	Pos	Part Number	Name	Remarks	Qty	Model
	S33	savanna				(13)	996 552 969 14	support frame carbon	01	1	XNR
	G13	metropole blue					01C	satin black			
	J33	nephrite green					C53	graphite grey			
	M33	boxster red					S33	savanna			
	D12	dark grey	00-				G13	metropole blue			
	T12	brown/natural	00-				J33	nephrite green			
	P13	cinnamon brown	01				M33	boxster red			
(13)	996 552 969 12	support frame rootwood dark	01	1	XKS		D12	dark grey	00-		
	01C	satin black					T12	brown/natural	00-		
	C53	graphite grey					P13	cinnamon brown	01		
	S33	savanna				(13)	996 552 969 15	support frame carbon	01	1	XNR:M 662
	G13	metropole blue					01C	satin black			
	J33	nephrite green					C53	graphite grey			
	M33	boxster red					S33	savanna			
	D12	dark grey	00-				G13	metropole blue			
	T12	brown/natural	00-				J33	nephrite green			
	P13	cinnamon brown	01				M33	boxster red			
(13)	996 552 969 13	support frame rootwood dark	01	1	XKS:M 662		D12	dark grey	00-		
	01C	satin black					T12	brown/natural	00-		
	C53	graphite grey				(13)	996 552 969 16	support frame	01	1	XKW
	S33	savanna					92T	arctic silver			
	G13	metropole blue				(13)	996 552 969 17	support frame	01	1	XKW:M 662
	J33	nephrite green					92T	arctic silver			
	M33	boxster red				(15)	999 507 768 02	speed nut 4,2		16	
	D12	dark grey	00-			(15)	999 507 767 02	speed nut 4,2		2	
	T12	brown/natural	00-			16	999 073 218 09	tapping screw 4,2 X 16		4	
	P13	cinnamon brown	01								

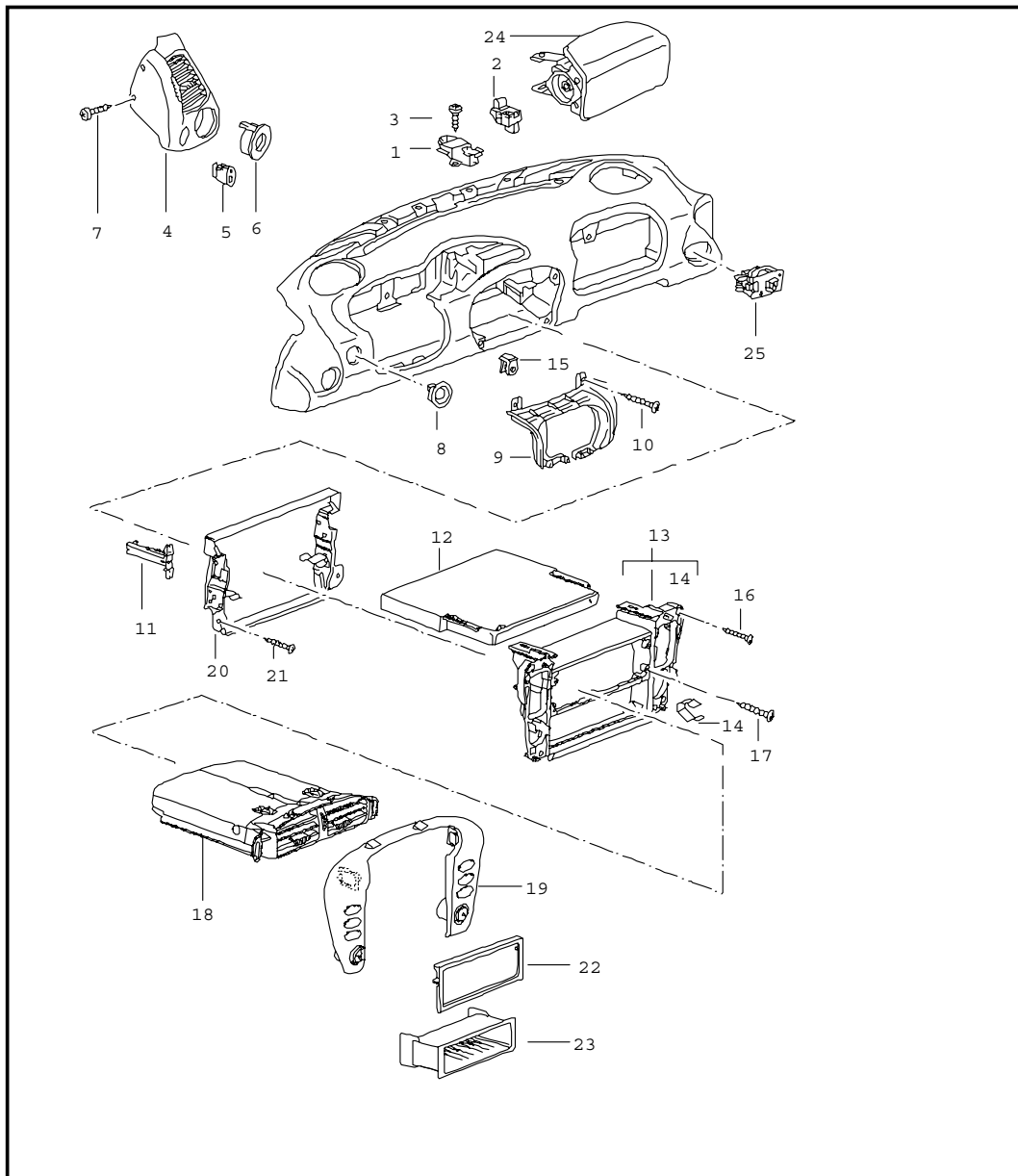
Model	Year	MG	SG	Illustration	Restrictions	Update	12:24	25.11.2005	PORSCHE	PET	PORSCHE
996t	05	8	09	809-01		194					

Pos	Part Number	Name	Remarks	Qty	Model	Pos	Part Number	Name	Remarks	Qty	Model
17	996 653 241 00	interior sensor side vent		1	M 573		A03	black			
18	--- --- --- --	see group 4/03/06		1			C53	graphite grey			
19	996 552 233 04	trim for switch upper part/lower part	/L -01	1			S33	savanna			
	A03	black					G13	metropole blue			
	C53	graphite grey					J33	nephrite green			
	S33	savanna					M33	boxster red			
	G13	metropole blue					P13	cinnamon brown			
	J33	nephrite green				21	996 552 968 04	trim for switch leather	/R 01	1	XNN
	M33	boxster red					A11	black			
	P13	cinnamon brown					C51	graphite grey			
19	996 552 967 04	trim for switch leather	/L 01	1	XNN		S31	savanna			
	A11	black					G11	metropole blue			
	C51	graphite grey					J31	nephrite green			
	S31	savanna					M31	boxster red			
	G11	metropole blue					D12	dark grey			
	J31	nephrite green					T12	brown/natural			
	M31	boxster red				21	996 552 968 05	trim for switch rootwood light	/R 01	1	XKR
	D12	dark grey									
	T12	brown/natural				21	996 552 968 06	trim for switch rootwood dark	/R 01	1	XKS
	P12	cinnamon brown									
19	996 552 967 05	trim for switch rootwood light	/L 01	1	XKR	21	996 552 968 07	trim for switch carbon	/R 01	1	XNR
19	996 552 967 06	trim for switch rootwood dark	/L 01	1	XKS	23	996 552 677 00	frame		1	
19	996 552 967 07	trim for switch carbon	/L 01	1	XNR		01C	satin black			
21	996 552 234 04	trim for switch upper part/lower part	/R -01	1		(23)	996 552 339 00	frame air-conditioning switch		1	M 662
							01C	satin black			
						24	996 552 673 02	holder radio		1	

Model	Year	MG	SG	Illustration	Restrictions	Update	12:24	25.11.2005	PORSCHE	PET	PORSCHE
996t	05	8	09	809-01		194					

Pos	Part Number	Name	Remarks	Qty	Model	Pos	Part Number	Name	Remarks	Qty	Model
(24)	996 552 653 01	holder		1	M 662						
25	999 073 218 09	oval-head screw 4,2 X 16		2							
26	996 552 253 01	shelf instead of radio		1							
	01C	satin black									
26	996 552 994 01	shelf leather		1	XMF						
	A11	black									
	C51	graphite grey									
	S31	savanna									
	J31	nephrite green									
	M31	boxster red									
	G11	metropole blue									
	D12	dark grey									
	T12	brown/natural									
	P12	cinnamon brown									
27	996 552 173 01	shelf driver's side lacquered		1							
	A03	black									
	C53	graphite grey									
	S33	savanna									
	G13	metropole blue									
	J33	nephrite green									
	M33	boxster red									
	P13	cinnamon brown									
(28)	999 591 712 40	expansion rivet 6,0 X 12,0		2							
		- - - E N D - - -									

Model	Year	MG	SG	Illustration	Restrictions	Update	12:24	25.11.2005	PORSCHE	PET	PORSCHE
996t	05	8	09	809-02		194					



Pos	Part Number	Name	Remarks	Qty	Model
1	996 552 541 02	accessories dashboard trim	02-	1	
2	996 653 251 00	mounting light		1	M 573
3	999 919 120 09	sensor		2	
3	999 919 120 09	oval-head screw 4,0 X 18		2	
4	996 552 225 06	side vent lacquered	/L	1	
	A03	black			
	C53	graphite grey			
	S33	savanna			
	G13	metropole blue			
	J33	nephrite green			
	M33	boxster red			
	P13	cinnamon brown			
(4)	996 552 228 06	side vent lacquered	/R	1	
	A03	black			
	C53	graphite grey			
	S33	savanna			
	G13	metropole blue			
	J33	nephrite green			
	M33	boxster red			
	P13	cinnamon brown			
4	996 552 984 00	side vent leather	/L	1	XN3
	VRK	black			
	C51	graphite grey			
	S31	savanna			
	G11	metropole blue			
	J31	nephrite green			

Model	Year	MG	SG	Illustration	Restrictions	Update	12:24	25.11.2005	PORSCHE	PET	PORSCHE
996t	05	8	09	809-02		194					

Pos	Part Number	Name	Remarks	Qty	Model	Pos	Part Number	Name	Remarks	Qty	Model
	M31	boxster red					S31	savanna			
	D12	dark grey					J31	nephrite green			
	T12	brown/natural					M31	boxster red			
	P12	cinnamon brown					G11	metropole blue			
(4)	996 552 985 00	side vent leather	/R	1	XN3		D12	dark grey			
	VRK	black					T12	brown/natural			
	C51	graphite grey					P12	cinnamon brown			
	S31	savanna				(4)	996 552 984 05	side vent arctic silver leather	/L	1	XKE
	G11	metropole blue					VRK	black			
	J31	nephrite green					C51	graphite grey			
	M31	boxster red					S31	savanna			
	D12	dark grey					J31	nephrite green			
	T12	brown/natural					M31	boxster red			
	P12	cinnamon brown					G11	metropole blue			
4	996 552 984 03	side vent carbon LEADER	/L	1	XKD		D12	dark grey			
	VRK	black					T12	brown/natural			
	C51	graphite grey					P12	cinnamon brown			
	S31	savanna				4	996 552 985 05	side vent arctic silver leather	/R	1	XKE
	J31	nephrite green					VRK	black			
	M31	boxster red					C51	graphite grey			
	G11	metropole blue					S31	savanna			
	D12	dark grey					J31	nephrite green			
	T12	brown/natural					M31	boxster red			
	P12	cinnamon brown					G11	metropole blue			
(4)	996 552 985 03	side vent carbon LEADER	/R	1	XKD		D12	dark grey			
	VRK	black					T12	brown/natural			
	C51	graphite grey					P12	cinnamon brown			

Model	Year	MG	SG	Illustration	Restrictions	Update	12:24	25.11.2005	PORSCHE	PET	PORSCHE
996t	05	8	09	809-02		194					

Pos	Part Number	Name	Remarks	Qty	Model	Pos	Part Number	Name	Remarks	Qty	Model
4	996 552 984 02	side vent rootwood dark grey leather	/L	1	XKC		P12	cinnamon brown			
	VRK	black					D12	dark grey/natural			
	C51	side vent					T12	brown/natural			
	S31	savanna				(4)	996 552 985 07	side vent aluminium look leather	/R 03-	1	XCC
	J31	nephrite green					VRK	black			
	M31	boxster red					C51	graphite grey			
	D12	dark grey					S31	savanna			
	T12	brown/natural					G11	metropole blue			
	P12	cinnamon brown					J31	nephrite green			
(4)	996 552 985 02	side vent rootwood dark grey leather	/R	1	XKC		M31	boxster red			
	VRK	black					P12	cinnamon brown			
	C51	side vent					D12	dark grey/natural			
	S31	savanna				5	996 552 621 01	cover headlight levelling system lacquered		1	
	J31	nephrite green					A03	black			
	M31	boxster red					C53	graphite grey			
	D12	dark grey					S33	savanna			
	T12	brown/natural					G13	metropole blue			
	P12	cinnamon brown					J33	nephrite green			
4	996 552 984 07	side vent aluminium look leather	/L 03-	1	XCC		M33	boxster red			
	VRK	black					P13	cinnamon brown			
	C51	graphite grey				5	996 552 986 00	cover headlight levelling system leather		1	XNH
	S31	savanna					A11	black			
	G11	metropole blue					C51	graphite grey			
	J31	nephrite green					S31	savanna			
	M31	boxster red					J31	nephrite green			

Model	Year	MG	SG	Illustration	Restrictions	Update	12:24	25.11.2005	PORSCHE	PET	PORSCHE
996t	05	8	09	809-02		194					

Pos	Part Number	Name	Remarks	Qty	Model	Pos	Part Number	Name	Remarks	Qty	Model
	M31	boxster red					D12	dark grey			
	G11	metropole blue					T12	brown/natural			
	D12	dark grey					P12	cinnamon brown			
	T12	brown/natural				7	999 073 218 09	tapping screw 4,2 X 16		4	
	P12	cinnamon brown				8	996 552 235 03	rose ignition starter lock	/LL	1	
5	996 552 986 01	cover headlight levelling system rootwood light		2	TURBO:XKB		A03	black			
5	996 552 986 02	cover headlight levelling system rootwood dark		2	TURBO:XKC		C53	graphite grey			
5	996 552 986 03	cover headlight levelling system carbon		2	XKD		S33	savanna			
6	996 552 417 02	rose interior sensor lacquered		1			G13	metropole blue			
	A03	black					J33	nephrite green			
	C53	graphite grey					M33	boxster red			
	S33	savanna					P13	cinnamon brown			
	G13	metropole blue				(8)	996 552 236 03	rose ignition starter lock	/RL	1	
	J33	nephrite green					A03	black			
	M33	boxster red					C53	graphite grey			
	P13	cinnamon brown					S33	savanna			
6	996 552 987 00	rose interior sensor leather		1	XNH		G13	metropole blue			
	A11	black					J33	nephrite green			
	C51	graphite grey					M33	boxster red			
	S31	savanna					P13	cinnamon brown			
	J31	nephrite green				8	996 552 980 00	rose ignition starter lock leather	/LL	1	M XJ4
	M31	boxster red					A11	black			
	G11	metropole blue					C51	graphite grey			
							S31	savanna			
							G11	metropole blue			
							J31	nephrite green			
							M31	boxster red			

Model	Year	MG	SG	Illustration	Restrictions	Update	12:24	25.11.2005	PORSCHE	PET	PORSCHE
996t	05	8	09	809-02		194					

Pos	Part Number	Name	Remarks	Qty	Model	Pos	Part Number	Name	Remarks	Qty	Model		
(8)	996 552 980 01	P12	cinnamon brown	/RL	1	M XJ4	(12)	996 552 183 00	support beverages	/LL	1		
		D12	dark grey/natural					01C	satin black				
		T12	brown/natural					996 552 184 00	support beverages	/RL	1		
		A11	black					01C	satin black				
		C51	graphite grey					996 552 958 00	support beverages leather	/LL	1		XNN/XKS/XKR
		S31	savanna					A11	black				
		G11	metropole blue					C51	graphite grey				
		J31	nephrite green					S31	savanna				
		M31	boxster red					G11	metropole blue				
		P12	cinnamon brown					J31	nephrite green				
		D12	dark grey/natural					M31	boxster red				
9	996 552 271 03	cover steering		1		(12)	996 552 958 01	support beverages leather	/RL	1	XNN/XKS/XKR		
		A03					black	A11	black				
		986 552 988 03					cover steering	C51	graphite grey				
		VRK					black	S31	savanna				
9	986 552 988 03	S31	savanna		1	XNS	(12)	996 552 958 01	support beverages leather	/RL	1	XNN/XKS/XKR	
		G11	metropole blue					A11	black				
		J31	nephrite green					C51	graphite grey				
		M31	boxster red					S31	savanna				
		D12	dark grey/natural					G11	metropole blue				
		T12	brown/natural					J31	nephrite green				
		C51	graphite grey					M31	boxster red				
		P12	cinnamon brown					P12	cinnamon brown				
10	999 919 123 09	oval-head screw 5,0 X 20		8		13	996 552 231 11	support frame		1			
		01C					satin black						
		T12					brown/natural						

Model	Year	MG	SG	Illustration	Restrictions	Update	12:24	25.11.2005	PORSCHE	PET	PORSCHE
996t	05	8	09	809-02		194					

Pos	Part Number	Name	Remarks	Qty	Model	Pos	Part Number	Name	Remarks	Qty	Model
(13)	996 552 231 13	support frame	02	1	M 662		G11	metropole blue			
	01C	satin black					J31	nephrite green	-03		
(13)	996 552 231 12	support frame	03-	1	M 665		M31	boxster red			
	01C	satin black					D12	dark grey			
(13)	996 552 969 25	support frame leather		1	XNN		T12	brown/natural			
	A11	black					P12	cinnamon brown			
	C51	graphite grey				15	999 507 768 02	speed nut 4,2		16	
	S31	savanna				(15)	999 507 767 02	speed nut 4,2		2	
	G11	metropole blue				16	999 073 218 09	tapping screw 4,2 X 16		4	
	J31	nephrite green	-03			17	900 143 076 09	tapping screw 4,2 X 25		2	M 573
	M31	boxster red				18	996 552 263 01	centre nozzle		1	
	D12	dark grey					01C	satin black			
	T12	brown/natural				(18)	996 552 950 00	centre nozzle	02-	1	+XNN
	P12	cinnamon brown					A11	black			
(13)	996 552 969 27	support frame leather	02	1	XNN+M 662		C51	graphite grey			
	A11	black					S31	savanna			
	C51	graphite grey					G11	metropole blue			
	S31	savanna					J31	nephrite green			
	G11	metropole blue					M31	boxster red			
	J31	nephrite green	-03				P12	cinnamon brown			
	M31	boxster red					D12	dark grey/natural			
	D12	dark grey					T12	brown/natural			
	T12	brown/natural				18	996 552 951 00	centre nozzle aluminium look	03-	1	XCD
	P12	cinnamon brown					A11	black			
(13)	996 552 969 26	support frame leather	03-	1	XNN+M 665		C51	graphite grey			
	A11	black					S31	savanna			
	C51	graphite grey					G11	metropole blue			
	S31	savanna									

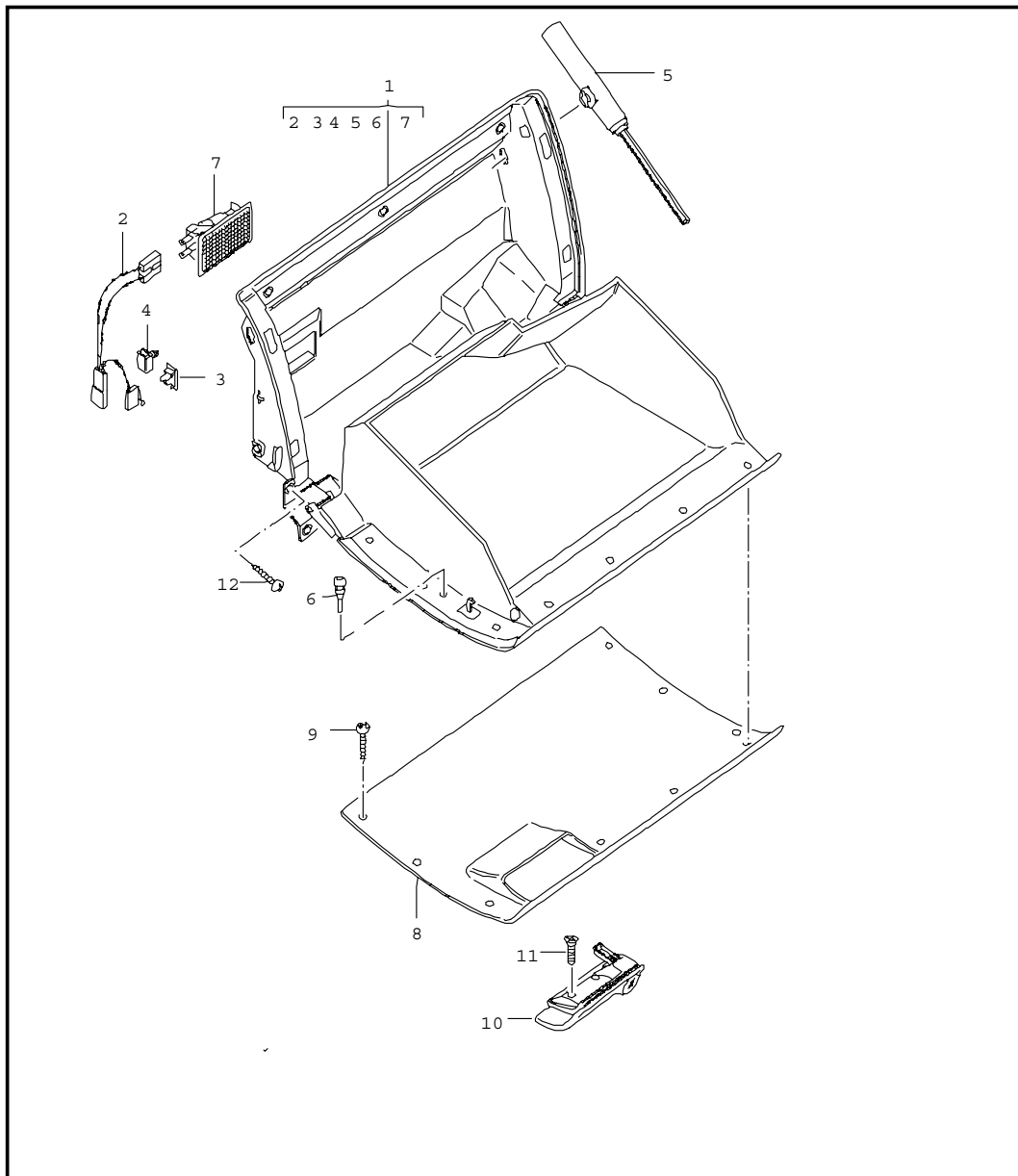
Model	Year	MG	SG	Illustration	Restrictions	Update	12:24	25.11.2005	PORSCHE	PET	PORSCHE
996t	05	8	09	809-02		194					

Pos	Part Number	Name	Remarks	Qty	Model	Pos	Part Number	Name	Remarks	Qty	Model
	J31	nephrite green				19	996 552 967 13	trim for switch arctic silver		1	XKW
	M31	boxster red				20	996 552 673 03	holder radio		1	
	P12	cinnamon brown				(20)	996 552 653 03	holder	02	1	M 662
	D12	dark grey/natural				(20)	996 552 653 02	holder	03-	1	M 665
19	996 552 233 06	trim for switch upper part/lower part		1		21	999 073 218 09	oval-head screw 4,2 X 16		2	
	A03	black				22	986 552 153 00	frame air-conditioning switch		1	M 574
	C53	graphite grey					01C	satin black			
	S33	savanna				22	996 552 677 01	frame air-conditioning switch		1	M 573
	G13	metropole blue					01C	satin black			
	J33	nephrite green	-03			(22)	996 552 992 00	frame air-conditioning switch		1	XNN/XKW/573
	M33	boxster red					A11	black			
19	996 552 967 08	trim for switch leather		1	XNN		C51	graphite grey			
	A11	black					S31	savanna			
	C51	graphite grey					J31	nephrite green			
	S31	savanna					M31	boxster red			
	G11	metropole blue					G11	metropole blue			
	J31	nephrite green					D12	dark grey/natural			
	M31	boxster red					T12	brown/natural			
	D12	dark grey					P12	cinnamon brown			
	T12	brown/natural				23	996 552 253 01	shelf instead of radio		1	
	P12	cinnamon brown					01C	satin black			
19	996 552 967 09	trim for switch rootwood light		1	XKR	23	996 552 994 01	shelf leather	02	1	XMF
19	996 552 967 10	trim for switch rootwood dark		1	XKS		A11	black			
19	996 552 967 11	trim for switch carbon		1	XNR		C51	graphite grey			
							S31	savanna			

Model	Year	MG	SG	Illustration	Restrictions	Update	12:24	25.11.2005	PORSCHE	PET	PORSCHE
996t	05	8	09	809-02		194					

Pos	Part Number	Name	Remarks	Qty	Model	Pos	Part Number	Name	Remarks	Qty	Model
	J31	nephrite green									
	M31	boxster red									
	G11	metropole blue									
	D12	dark grey									
	T12	brown/natural									
	P12	cinnamon brown									
24	--- --- --- --	see group 4/03/06		1							
25	996 653 241 00	interior sensor		1							
		- - - E N D - - -									

Model	Year	MG	SG	Illustration	Restrictions	Update	12:24	25.11.2005	PORSCHE	PET	PORSCHE
996t	05	8	09	809-03		194					

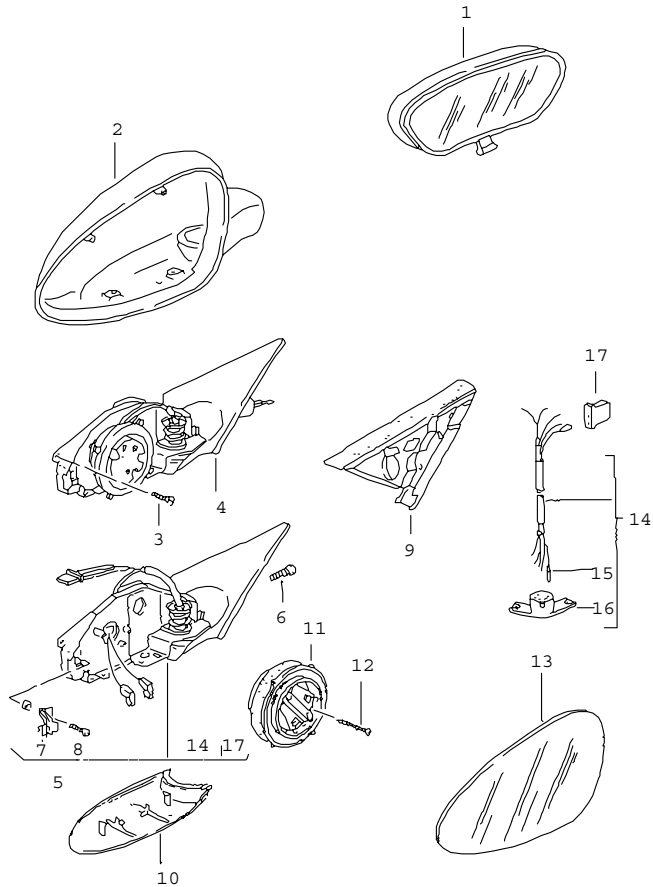


Pos	Part Number	Name	Remarks	Qty	Model
		glove compartment	02-		
1	996 552 119 00	glove compartment	/LL	1	
	01C	satin black			
(1)	996 552 120 00	glove compartment	/RL	1	
	01C	satin black			
2	996 622 501 00	wiring harness		1	
3	999 650 564 40	clip for wiring harness microswitch		1	
4	999 650 565 40	clip for wiring harness		1	
5	996 552 779 00	damper		2	
6	999 703 491 50	buffer 7 X 9,5 X 19,5		2	
7	928 632 101 00	glove compartment light		1	
8	996 552 133 00	glove box cover leatherette	/LL	1	
	A12	black			
	C52	graphite grey			
	S32	savanna			
	G12	metropole blue			
	J32	nephrite green			
(8)	996 552 134 00	glove box cover leatherette	/RL	1	
	A12	black			
	C52	graphite grey			
	S32	savanna			
	G12	metropole blue			
	J32	nephrite green			
8	996 552 133 01	glove box cover leather	/LL	1	
	A11	black			

Model	Year	MG	SG	Illustration	Restrictions	Update	12:25	25.11.2005	PORSCHE	PET	PORSCHE
996t	05	8	09	809-03		194					

Pos	Part Number	Name	Remarks	Qty	Model	Pos	Part Number	Name	Remarks	Qty	Model
	C51	graphite grey					V03	silver			
	S31	savanna				--	996 552 915 00	lock cylinder state lock number		1	
	G11	metropole blue				11	999 073 240 02	screw M 4 X 10		2	
	J31	nephrite green				12	999 073 169 07	tapping screw 4,8 X 16		7	
	M31	boxster red									
	P12	cinnamon brown									
	D12	dark grey									
	T12	brown/natural							- - - E N D - - -		
(8)	996 552 134 01	glove box cover leather	/RL	1							
	A11	black									
	C51	graphite grey									
	S31	savanna									
	G11	metropole blue									
	J31	nephrite green									
	M31	boxster red									
	P12	cinnamon brown									
	D12	dark grey									
	T12	brown/natural									
9	999 073 249 07	tapping screw 3,5 X 11	02	11							
9	999 073 308 07	tapping screw 3,5 X 12	03-	11							
10	996 552 349 00	handle complete	/LL	1							
	V01	silver									
(10)	996 552 350 00	handle complete	/RL	1							
	V01	silver									
10	996 552 349 01	handle	/LL 03-	1							
	V03	silver									
(10)	996 552 350 01	handle	/RL 03-	1							

Model	Year	MG	SG	Illustration	Restrictions	Update	12:25	25.11.2005	PORSCHE	PET	PORSCHE
996t	05	8	09	809-10		194					



Pos	Part Number	Name	Remarks	Qty	Model
1	996 731 511 01	interior mirror door mirror		1	
	01C	satin black			
1	996 731 511 02	interior mirror		1	M 265
	01C	satin black			
-	996 731 811 01	cover	/L	1	M 265
	01C	satin black			
-	996 731 812 01	cover	/R	1	M 265
	01C	satin black			
2	996 731 619 00	housing	/L	1	
	G2L	prime coated			
(2)	996 731 620 00	housing	/R	1	
	G2L	prime coated			
2	996 731 619 30	housing	/L 04-	1	M 804/GT2
(2)	996 731 620 30	housing carbon	/R 04-	1	M 804/GT2
3	999 919 170 02	countersunk-head screw 3,0 X 10		6	
5	996 731 219 00	mirror base door mirror electrically adjustable	/LL/L	1	
	G2L	prime coated			
(5)	996 731 219 04	mirror base door mirror electrically adjustable	/LL/L	1	M 266
	G2L	prime coated			
(5)	996 731 219 02	mirror base door mirror electrically adjustable	/LL/L	1	M 537
	G2L	prime coated			
(5)	996 731 219 05	mirror base door mirror electrically adjustable	/LL/L	1	M 266/537
	G2L	prime coated			

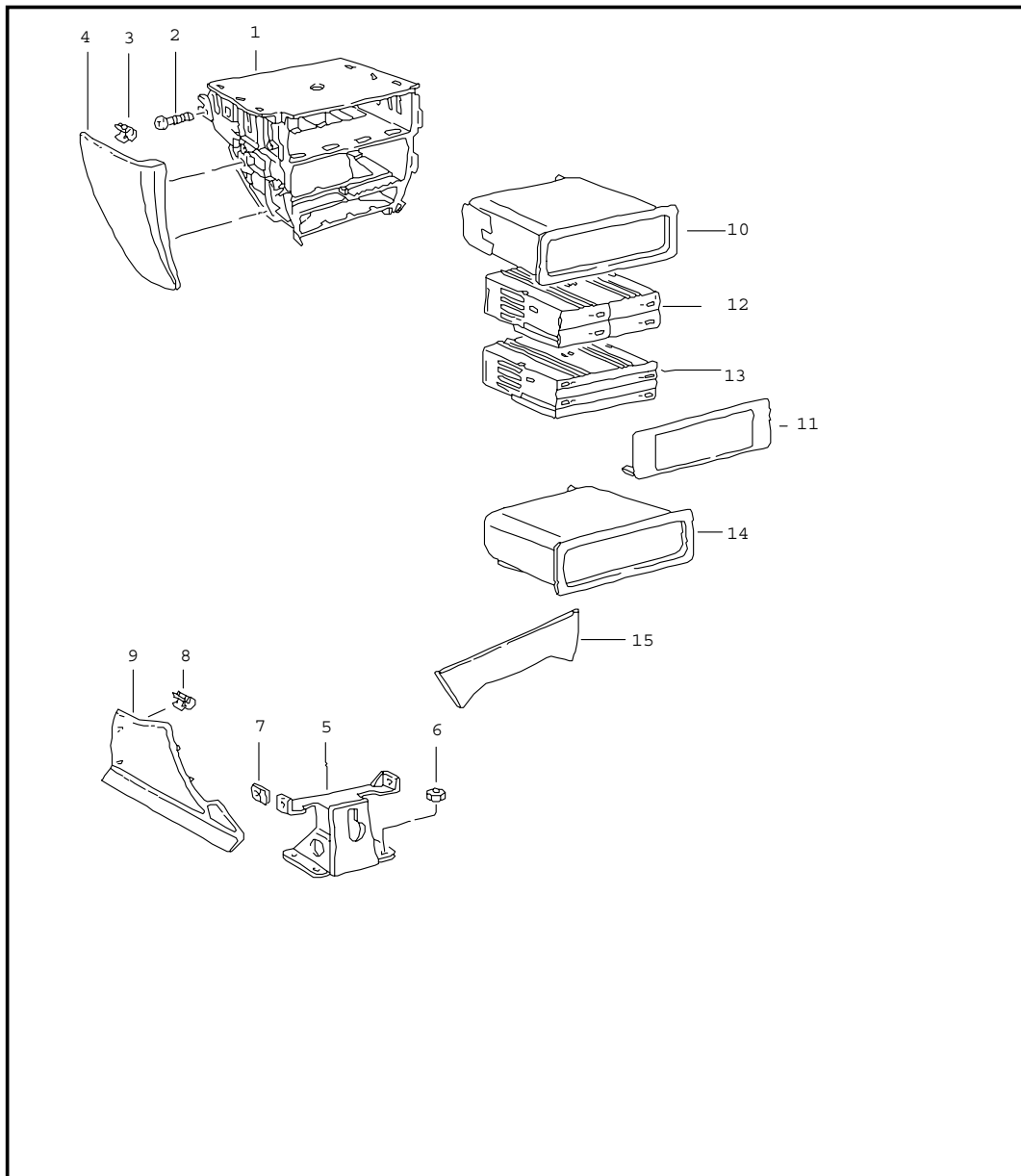
Model	Year	MG	SG	Illustration	Restrictions	Update	12:25	25.11.2005	PORSCHE	PET	PORSCHE
996t	05	8	09	809-10		194					

Pos	Part Number	Name	Remarks	Qty	Model	Pos	Part Number	Name	Remarks	Qty	Model
(5)	996 731 220 00	mirror base door mirror electrically adjustable	/LL/R	1		(9)	996 537 732 00	filler piece outer	/R	1	
	G2L	prime coated				(9)	996 537 733 00	filler piece	/L	1	
(5)	996 731 220 02	mirror base door mirror electrically adjustable	/LL/R	1	M 537	(9)	996 537 734 00	filler piece inner	/R	1	
	G2L	prime coated				10	996 731 719 00	cover lower	/L	1	
(5)	996 731 219 01	mirror base door mirror electrically adjustable	/RL/L	1			G2L	prime coated			
	G2L	prime coated				(10)	996 731 720 00	cover lower	/R	1	
(5)	996 731 219 03	mirror base door mirror electrically adjustable	/RL/L	1	M 538		G2L	prime coated			
	G2L	prime coated				11	996 624 047 00	adjusting motor		2	
(5)	996 731 220 01	mirror base door mirror electrically adjustable	/RL/R	1		(11)	996 624 048 00	adjusting motor		2	M 537/538
	G2L	prime coated				12	900 278 013 02	oval-head screw M 3 X 30		6	
(5)	996 731 220 04	mirror base door mirror electrically adjustable	/RL/R	1	M 266	13	996 731 035 01	mirror glass plan	/L	1	M 270
	G2L	prime coated				13	996 731 035 03	mirror glass plan	/L	1	M 266/270
(5)	996 731 220 03	mirror base door mirror electrically adjustable	/RL/R	1	M 538	(13)	996 731 035 02	mirror glass ASPHAERISCH	/L	1	M 271
	G2L	prime coated				(13)	996 731 035 04	mirror glass ASPHAERISCH		1	M 266/271
(5)	996 731 220 05	mirror base door mirror electrically adjustable	/RL/R	1	M 266/538	(13)	996 731 037 01	mirror glass convex	/RL/L	1	
	G2L	prime coated				(13)	996 731 036 01	mirror glass plan	/RL/R	1	M 270
6	999 073 125 02	oval-head screw M 5 X 14		6		(13)	996 731 036 03	mirror glass plan	/RL/R	1	M 266/270
7	999 507 549 02	spring clamp		2		(13)	996 731 036 02	mirror glass ASPHAERISCH	/RL/R	1	M 271
8	900 278 010 02	oval-head screw		2		(13)	996 731 036 04	mirror glass ASPHAERISCH	/RL/R	1	M 266/271
9	996 537 731 00	filler piece	/L	1		(13)	996 731 038 02	mirror glass convex	/LL/R	1	
						(13)	996 731 038 04	mirror glass convex	/LL/R	1	(SA)

Model	Year	MG	SG	Illustration	Restrictions	Update	12:25	25.11.2005	PORSCHE	PET	PORSCHE
996t	05	8	09	809-10		194					

Pos	Part Number	Name	Remarks	Qty	Model	Pos	Part Number	Name	Remarks	Qty	Model
(14)	996 612 674 00	wiring harness		1							
15	999 652 710 10	cylindrical connector		30							
16	999 650 173 40	connector 15-pole		2							
17	311 906 231 B	connector housing 3-pole		2							
(17)	999 650 177 40	plug socket 8-pole		2	M 537/538						
(17)	999 650 178 40	slide 8-pole		2	M 537/538						
		- - - E N D - - -									

Model	Year	MG	SG	Illustration	Restrictions	Update	12:25	25.11.2005	PORSCHE	PET	PORSCHE
996t	05	8	09	809-15		194					



Pos	Part Number	Name	Remarks	Qty	Model
1	996 552 115 02	centre console front		1	
		01C satin black			
1	996 552 973 01	bracket leather	-03	1	XXMF/TURBO
		A11 black			
		C51 graphite grey			
		S31 savanna			
		G11 metropole blue			
		J31 nephrite green			
		M31 boxer red			
		D12 dark grey/natural			
		T12 brown/natural			
		P12 cinnamon brown			
1	996 552 973 01	bracket leather	01-	1	XXMF/GT2
		A11 black			
		D12 dark grey/natural	02-		
		T12 brown/natural	02-		
4	996 552 091 07	cover leather	/L	1	
		A11 black			
		C51 graphite grey			
		S31 savanna			
		J31 nephrite green			
		M31 boxer red			
		G11 metropole blue			
		D12 dark grey			
		T12 brown/natural			
		P12 cinnamon brown			

Model	Year	MG	SG	Illustration	Restrictions	Update	12:25	25.11.2005	PORSCHE	PET	PORSCHE
996t	05	8	09	809-15		194					

Pos	Part Number	Name	Remarks	Qty	Model	Pos	Part Number	Name	Remarks	Qty	Model
(4)	996 552 092 07	cover leather	/R	1			C50	graphite grey			
	A11	black					S30	savanna			
	C51	graphite grey					J30	nephrite green			
	S31	savanna					M30	boxster red			
	J31	nephrite green					G10	metropole blue			
	M31	boxster red					D11	dark grey			
	G11	metropole blue					T11	brown/natural			
	D12	dark grey					P11	cinnamon brown			
	T12	brown/natural				10	996 552 253 01	shelf		1	
	P12	cinnamon brown					01C	satin black			
(5)	996 552 267 05	support lower		1		10	996 552 994 01	shelf leather	-02	1	XXMF
6	999 084 629 09	hexagon nut M 6		4			A11	black			
7	999 920 011 40	special nut 5,0 X 1,0 X 8		4			C51	graphite grey			
8	999 507 476 01	clamp 8,0 X 10,2		2			S31	savanna			
9	996 552 113 02	cover carpet	/L	1			J31	nephrite green			
	A10	black					M31	boxster red			
	C50	graphite grey					G11	metropole blue			
	S30	savanna					D12	dark grey			
	J30	nephrite green				11	996 552 443 00	frame		1	
	M30	boxster red					01C	satin black			
	G10	metropole blue				(11)	996 552 992 00	frame air-conditioning switch leather		1	XXKW/XXN+ M 573
	D11	dark grey					A11	black			
	T11	brown/natural					C51	graphite grey			
	P11	cinnamon brown					S31	savanna			
(9)	996 552 114 02	cover carpet	/R	1			G11	metropole blue			
	A10	black					J31	nephrite green			

Model	Year	MG	SG	Illustration	Restrictions	Update	12:25	25.11.2005	PORSCHE	PET	PORSCHE
996t	05	8	09	809-15		194					

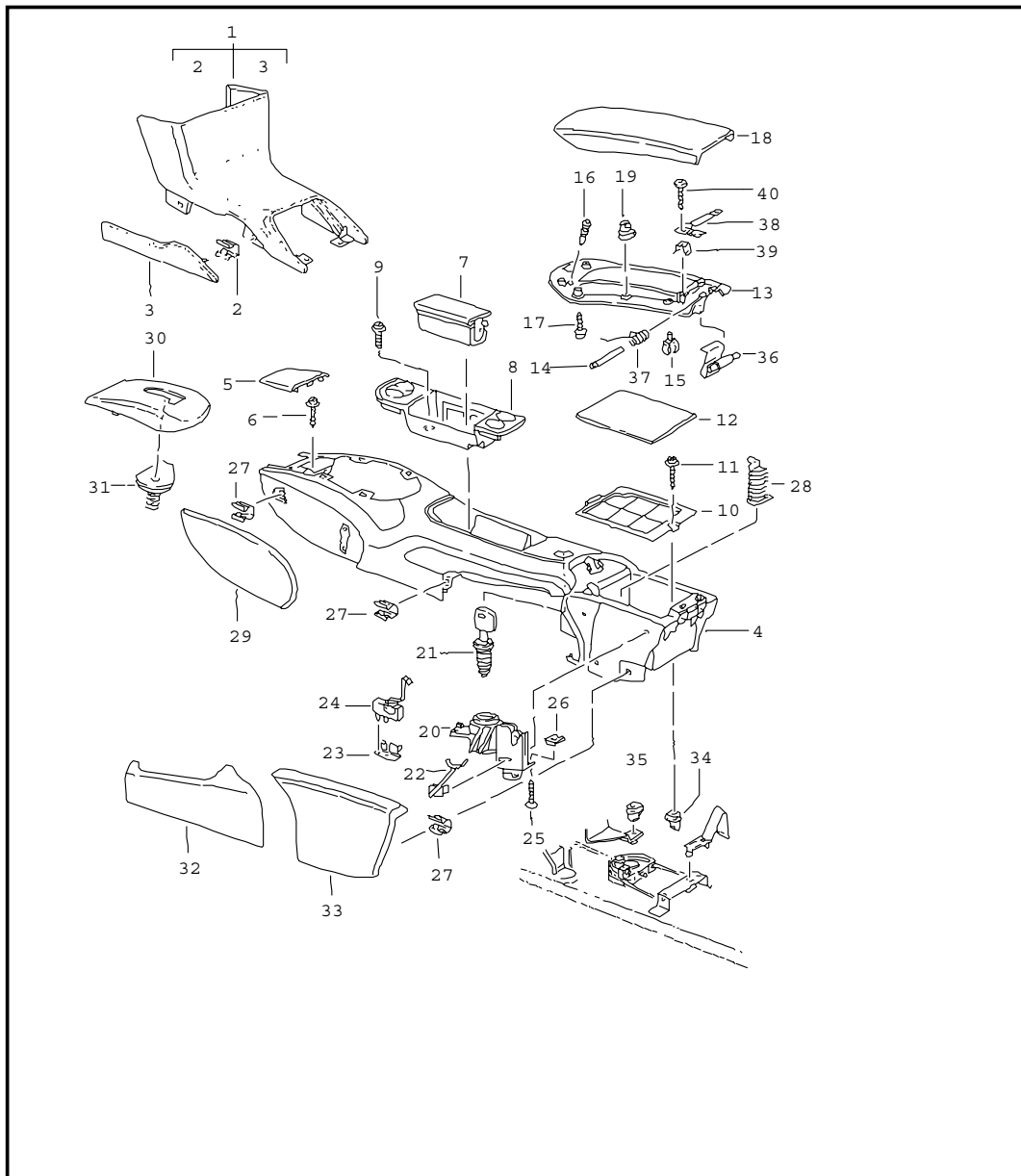
Pos	Part Number	Name	Remarks	Qty	Model	Pos	Part Number	Name	Remarks	Qty	Model
	M31	boxster red					D12	dark grey/natural	02-		
	D12	dark grey					T12	brown/natural	02-		
	T12	brown/natural				14	996 552 243 01	shelf		1	
	P12	cinnamon brown					01C	satin black			
12	996 552 763 00	cassette box	-02	4	M 421	14	996 552 982 01	shelf leather	-03	1	XMF/TURBO
(12)	996 552 981 01	cassette box leather	01-02	1	M 421+XMF		A11	black			
	A11	black					C51	graphite grey			
	C51	graphite grey					S31	savanna			
	S31	savanna					J31	nephrite green			
	G11	metropole blue					M31	boxster red			
	J31	nephrite green					G11	metropole blue			
	M31	boxster red					D12	dark grey			
	D12	dark grey/natural	00-				T12	brown/natural			
	T12	brown/natural	00-				P12	cinnamon brown			
	P12	cinnamon brown	01-			14	996 552 982 01	shelf leather	01-	1	XMF/GT2
13	996 552 773 00	box for cds		4	M 424		A11	black			
(13)	996 552 981 00	box for cds leather	-03	1	XMF/TURBO		D12	dark grey/natural	02-		
	A11	black					T12	brown/natural	02-		
	C51	graphite grey				(14)	996 552 963 00	cover leather	01-	1	XMF/XNN
	S31	savanna					A11	black			
	G11	metropole blue					C51	graphite grey			
	J31	nephrite green					S31	savanna			
	M31	boxster red					J31	nephrite green			
	D12	dark grey/natural	00-				M31	boxster red			
	T12	brown/natural	00-				G11	metropole blue			
	P12	cinnamon brown	01-				D12	dark grey			
(13)	996 552 981 00	box for cds leather	01-	1	XMF/GT2		T12	brown/natural			
	A11	black					P12	cinnamon brown			

Model	Year	MG	SG	Illustration	Restrictions	Update	12:25	25.11.2005	PORSCHE	PET	PORSCHE
996t	05	8	09	809-15		194					

Pos	Part Number	Name	Remarks	Qty	Model	Pos	Part Number	Name	Remarks	Qty	Model
(14)	996 552 963 01	cover rootwood light	01-	1	XKR		T12	brown/natural	02-		
(14)	996 552 963 02	cover rootwood dark	01-	1	XKS	15	996 552 983 00	trim for switch leather	01-	1	XNN/GT2
(14)	996 552 963 04	cover carbon	01-	1	XNR		A11	black			
15	996 552 335 00	trim for switch		1			D12	dark grey/natural	02-		
	01C	satin black					T12	brown/natural	02-		
(15)	996 552 335 02	trim for switch 2 switch		1	M 139/340	(15)	996 552 983 01	trim for switch 2 switch leather		1	M 139/340/ XKW
	01C	satin black					A11	black			
(15)	996 552 315 01	trim for switch	05-	1	M092		C51	graphite grey			
	01C	satin black					S31	savanna			
(15)	996 552 315 02	trim for switch 2 switch	05-	1	M092/342		J31	nephrite green			
	01C	satin black					M31	boxster red			
15	996 552 983 00	trim for switch leather	-03	1	XMF/TURBO		G11	metropole blue			
	A11	black					D12	dark grey			
	C51	graphite grey					T12	brown/natural			
	S31	savanna					P12	cinnamon brown			
	J31	nephrite green									
	M31	boxster red									
	G11	metropole blue									
	D12	dark grey/natural									
	T12	brown/natural									
	P12	cinnamon brown									
15	996 552 983 00	trim for switch leather	-03	1	XMF/GT2						
	A11	black									
	D12	dark grey/natural	02-								

- - - E N D - - -

Model	Year	MG	SG	Illustration	Restrictions	Update	12:25	25.11.2005	PORSCHE	PET	PORSCHE
996t	05	8	09	809-20		194					



Pos	Part Number	Name	Remarks	Qty	Model
1	986 552 113 02	centre console		1	
		centre			
		lining	01-		
		carpet			
2	999 507 533 02	A10 black		26	
		D11 dark grey/natural	02-		
		T11 brown/natural	02-		
		clamp			
3	986 552 513 02	cover	/L 01-	1	
		carpet			
		A10 black			
		D11 dark grey/natural	02-		
3	986 552 514 02	T11 brown/natural	02-	1	
		cover	/R 01-		
		carpet			
		A10 black			
4	A 996 552 125 02	D11 dark grey/natural	02-	1	
		T11 brown/natural	02-		
		centre console	01		
		A03 black			
4	996 552 125 03	C53 graphite grey		1	
		S33 savanna			
		G13 metropole blue			
		J33 nephrite green			
4	996 552 125 03	M33 boxer red		1	
		P13 cinnamon brown			
		centre console	02-		
		A03 black			
4	996 552 125 03	C53 graphite grey		1	
		S33 savanna			
		G13 metropole blue			

Model	Year	MG	SG	Illustration	Restrictions	Update	12:25	25.11.2005	PORSCHE	PET	PORSCHE
996t	05	8	09	809-20		194					

Pos	Part Number	Name	Remarks	Qty	Model	Pos	Part Number	Name	Remarks	Qty	Model
	J33	nephrite green				4	986 552 995 09	centre console	03-	1	XCE
	M33	boxster red					V03	sport silver			
	P13	cinnamon brown				4	986 552 995 01	centre console leather	01	1	XMZ
4	986 552 995 09	centre console	-02	1	XJB		VRK	black			
	92U	arctic silver metallic					C51	graphite grey			
4	986 552 995 09	centre console	01-	1	XME		S31	savanna			
	39G	violet metallic	-01				G11	metropole blue			
	7A6	black-metallic	-01				J31	nephrite green			
	3W7	dark blue	-01				M31	boxster red			
	23I	wimbledon green metallic	-01				D12	dark grey/natural			
	9A3	biarritz white	-01				T12	brown/natural			
	2A2	rainforest green metallic	-02				P12	cinnamon brown			
	92U	arctic silver metallic				4	986 552 995 05	centre console leather	02-	1	XMZ
	041	black					VRK	black			
	84A	guards red					C51	graphite grey			
	12H	speed yellow					S31	savanna			
	8A3	orient red metallic					G11	metropole blue			
	M5W	lapis blue metallic					J31	nephrite green			
	6A6	meridian metallic					M31	boxster red			
	39C	midnight blue metallic					D12	dark grey/natural			
	6B4	seal grey metallic					T12	brown/natural			
	2B4	forest green metallic					P12	cinnamon brown			
	3C8	cobalt blue metallic				4	986 552 995 08	centre console carbon		1	XMJ
	92M	polar silver metallic				4	986 552 995 03	centre console rootwood light	01	1	XML
	23F	slate grey metallic				4	986 552 995 06	centre console rootwood light	02-	1	XML
	1A8	zanzibar red									
	B9A	carrara white	02-								
	C9Z	basalt black metallic	02-								
	M6W	lagoon green metallic	03-								

Model	Year	MG	SG	Illustration	Restrictions	Update	12:25	25.11.2005	PORSCHE	PET	PORSCHE
996t	05	8	09	809-20		194					

Pos	Part Number	Name	Remarks	Qty	Model	Pos	Part Number	Name	Remarks	Qty	Model
4	986 552 995 07	centre console rootwood dark		1	XNB	7	996 552 595 01	insert ashtray		1	
-	996 552 841 01	sound absorber front		1			A03	black			
-	996 552 843 01	sound absorber centre		1			C53	graphite grey			
-	996 552 845 01	sound absorber rear		1			S33	savanna			
(5)	996 552 127 00	extension leather	/H	1			G13	metropole blue			
	A11	black					J33	nephrite green	-03		
	C51	graphite grey					M33	boxster red			
	S31	savanna					P13	cinnamon brown			
	G11	metropole blue				7	986 552 997 01	insert ashtray leather		1	XMZ
	J31	nephrite green	-03				A11	black			
	M31	boxster red					C51	graphite grey			
	P12	cinnamon brown					S31	savanna			
	D12	dark grey					G11	metropole blue			
	T12	brown/natural					J31	nephrite green			
(5)	996 552 962 00	extension leather	/H	1	XMZ		M31	boxster red			
	VRK	black					D12	dark grey/natural			
	C51	graphite grey					T12	brown/natural			
	S31	savanna					P12	cinnamon brown			
	G11	metropole blue				7	986 552 997 02	insert ashtray carbon		1	XMJ
	J31	nephrite green	-03			7	986 552 997 03	insert ashtray rootwood light		1	XML
	M31	boxster red				7	986 552 997 04	insert ashtray rootwood dark		1	XNB
	D12	dark grey/natural				7	986 552 997 00	insert ashtray lacquered		1	
	T12	brown/natural					92T	arctic silver	-02		XJB
	P12	cinnamon brown									
6	999 919 121 09	oval-head screw 5,0 X 16		5							

Model	Year	MG	SG	Illustration	Restrictions	Update	12:25	25.11.2005	PORSCHE	PET	PORSCHE
996t	05	8	09	809-20		194					

Pos	Part Number	Name	Remarks	Qty	Model	Pos	Part Number	Name	Remarks	Qty	Model
	V03	silver	03-		XCE	(9)	999 591 941 40	screw with expander nut		2	
8	996 552 095 02	ashtray lacquered		1		10	996 552 365 00	floor shelf		1	
	A03	black				11	999 919 121 09	oval-head screw M 5 X 16		1	
	C53	graphite grey				12	996 552 665 00	insert shelf		1	
	S33	savanna				13	996 552 205 00	cover		1	
	G13	metropole blue					01C	satin black			
	J33	nephrite green	-03			14	996 552 605 00	hinge pin		1	
	M33	boxster red				16	996 552 833 00	rubber stop		2	
8	986 552 996 05	ashtray leather		1	XMZ	17	999 919 175 09	oval-head screw 3,5 X 12		8	
	A11	black				18	996 552 155 03	cover leather		1	
	C51	graphite grey					A11	black			
	S31	savanna					C51	graphite grey			
	G11	metropole blue					S31	savanna			
	J31	nephrite green					J31	nephrite green			
	M31	boxster red					M31	boxster red			
	D12	dark grey/natural					G11	metropole blue			
	T12	brown/natural					P12	cinnamon brown			
8	986 552 996 06	ashtray rootwood light		1	XML		D12	dark grey			
8	986 552 996 07	ashtray rootwood dark		1	XNB	18	996 552 965 00	cover leather		1	XMZ
8	986 552 996 08	ashtray carbon		1	XMJ		VRK	black			
8	986 552 996 09	ashtray		1	XJB		C51	graphite grey			
	92T	arctic silver	-02				S31	savanna			
	V03	silver	03-		XCE		G11	metropole blue			
							J31	nephrite green			

Model	Year	MG	SG	Illustration	Restrictions	Update	12:25	25.11.2005	PORSCHE	PET	PORSCHE
996t	05	8	09	809-20		194					

Pos	Part Number	Name	Remarks	Qty	Model	Pos	Part Number	Name	Remarks	Qty	Model
	M31	boxster red				(29)	996 552 088 03	cover leather	/R	1	M 581
	D12	dark grey					A11	black			
	T12	brown/natural					C51	graphite grey			
	P12	cinnamon brown					S31	savanna			
19	999 920 017 40	special nut 3,5 X 2,5 X 5		8			J31	nephrite green			
20	996 552 097 01	lock		1			M31	boxster red			
	01C	satin black					G11	metropole blue			
21	996 552 907 00	lock cylinder w/o stipulated lock number		1			P12	cinnamon brown			
21	996 552 907 01	lock cylinder state lock number		1			D12	dark grey			
							T12	brown/natural			
23	996 637 211 00	support		1		(30)	996 552 655 01	retaining frame		1	M 480
24	996 613 205 00	microswitch		1		(30)	996 552 259 00	cover lacquered	/LL -02	1	M 249
25	999 919 121 09	oval-head screw 5 X 16		3			EOY	black	-02		
26	999 920 017 40	special nut 3,5 X 2,5 X 5		3			ETR	graphite grey	-02		
27	999 507 476 01	clamp 8,0 X 10,2		25			ETS	savanna	-02		
28	996 552 695 00	coin box		1			ETT	metropole blue	-02		
	01C	satin black					ETV	nephrite green	-02		
29	996 552 087 03	cover leather	/L	1	M 581		ETW	boxster red	-02		
	A11	black				(30)	996 552 259 01	cover lacquered	/RL -02	1	M 249
	C51	graphite grey					EOY	black	-02		
	S31	savanna					ETR	graphite grey	-02		
	J31	nephrite green					ETS	savanna	-02		
	M31	boxster red					ETT	metropole blue	-02		
	G11	metropole blue					ETV	nephrite green	-02		
	P12	cinnamon brown					ETW	boxster red	-02		
	D12	dark grey					FAO	cinnamon brown	-02		
	T12	brown/natural									

Model	Year	MG	SG	Illustration	Restrictions	Update	12:25	25.11.2005	PORSCHE	PET	PORSCHE
996t	05	8	09	809-20		194					

Pos	Part Number	Name	Remarks	Qty	Model	Pos	Part Number	Name	Remarks	Qty	Model
30	996 552 259 02	cover lacquered	/LL 03-	1	M 249		VRK	black			
	EOU	black					C51	graphite grey			
	EOZ	graphite grey					S31	savanna			
	EPA	savanna					J31	nephrite green			
	EPB	metropole blue					M31	boxster red			
	EPD	nephrite green	-03				G11	metropole blue			
	EPE	boxster red					T12	brown/natural			
	EPF	cinnamon brown					D12	dark grey			
(30)	996 552 259 03	cover lacquered	/RL 03-	1	M 249	30	996 552 977 26	cover leather	/LL 03-	1	XY5+M249
	EOU	black					VRK	black			
	EOZ	graphite grey					C51	graphite grey			
	EPA	savanna					S31	savanna			
	EPB	metropole blue					G11	metropole blue			
	EPD	nephrite green	-03				J31	nephrite green			
	EPE	boxster red					M31	boxster red			
	EPF	cinnamon brown					P12	cinnamon brown			
(30)	996 552 977 20	cover leather	/LL -02	1	XY5+M 249		D12	dark grey/natural			
	VRK	black					T12	brown/natural			
	C51	graphite grey				(30)	996 552 977 27	cover leather	/RL 03-	1	XY5+M249
	S31	savanna					VRK	black			
	J31	nephrite green					C51	graphite grey			
	M31	boxster red					S31	savanna			
	G11	metropole blue					G11	metropole blue			
	T12	brown/natural					J31	nephrite green			
	D12	dark grey					M31	boxster red			
	P12	cinnamon brown					P12	cinnamon brown			
(30)	996 552 977 21	cover leather	/RL -02	1	XY5+M 249		D12	dark grey/natural			

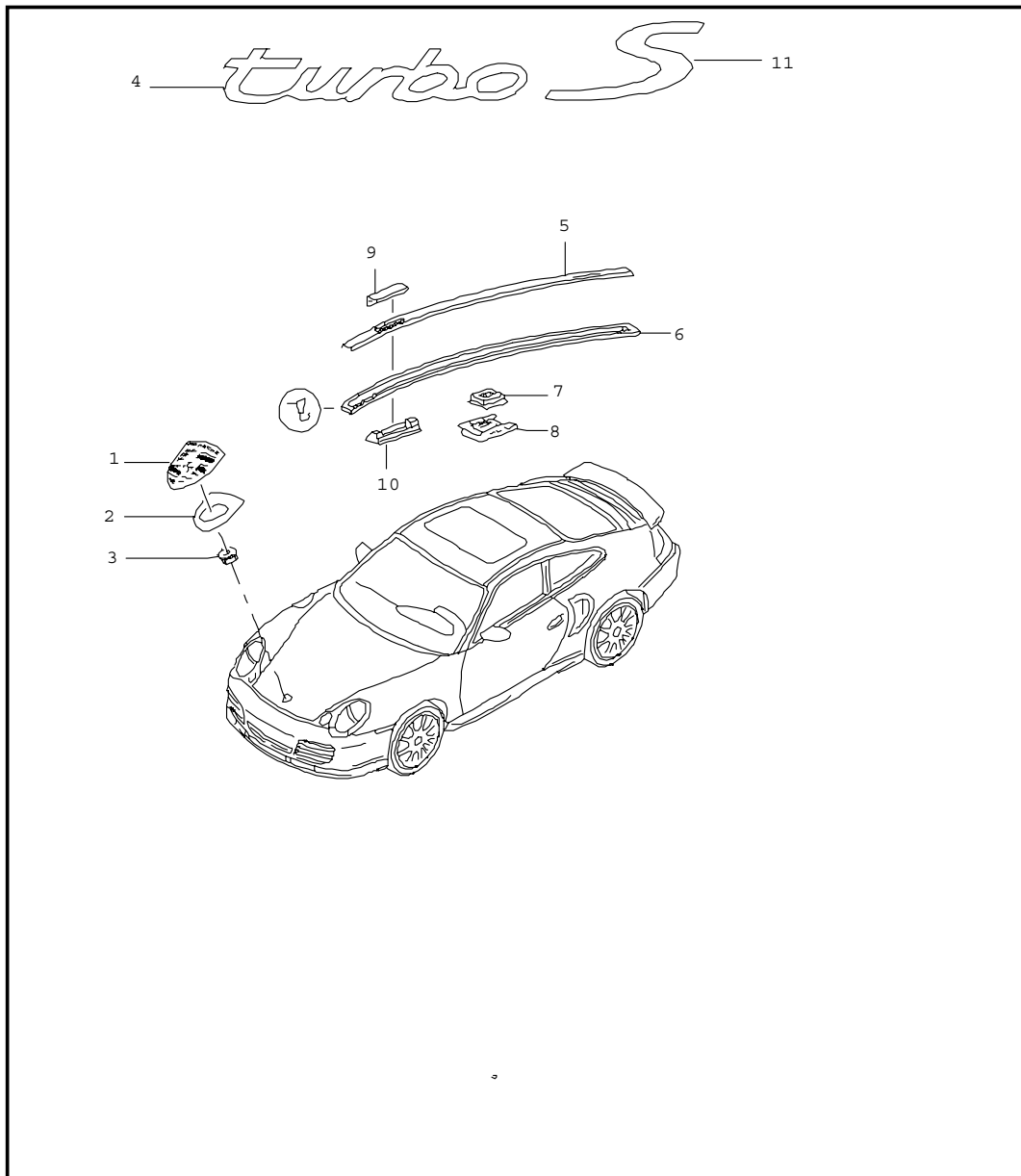
Model	Year	MG	SG	Illustration	Restrictions	Update	12:25	25.11.2005	PORSCHE	PET	PORSCHE
996t	05	8	09	809-20		194					

Pos	Part Number	Name	Remarks	Qty	Model	Pos	Part Number	Name	Remarks	Qty	Model
	T12	brown/natural					P12	cinnamon brown			
31	996 552 687 00	slide		1	M 249		D12	dark grey			
	01C	satin black					T12	brown/natural			
32	996 552 283 02	cover handbrake		1		(33)	996 552 090 03	cover leather	/R	1	
	A03	black					A11	black			
	C53	graphite grey					C51	graphite grey			
	S33	savanna					S31	savanna			
	G13	metropole blue					J31	nephrite green	-03		
	J33	nephrite green	-03				M31	boxster red			
	M33	boxster red					G11	metropole blue			
	P13	cinnamon brown					P12	cinnamon brown			
32	996 552 993 02	cover handbrake carbon		1	XMJ		D12	dark grey			
							T12	brown/natural			
32	996 552 993 03	cover handbrake rootwood light		1	TURBO:XML	(33)	996 552 089 04	cover leather	/R 04-	1	CABRIO
							A11	black			
32	996 552 993 04	cover handbrake rootwood dark		1	TURBO:XNB		C51	graphite grey			
							S31	savanna			
							M31	boxster red			
32	996 552 993 01	cover handbrake lacquered		1	XCE		G11	metropole blue			
	V03	sport silver					P12	cinnamon brown			
33	996 552 089 03	cover leather	/L	1			D12	dark grey			
							T12	brown/natural			
	A11	black				(33)	996 552 090 04	cover leather	/R 04-	1	CABRIO
	C51	graphite grey					A11	black			
	S31	savanna					C51	graphite grey			
	J31	nephrite green	-03				S31	savanna			
	M31	boxster red					M31	boxster red			
	G11	metropole blue					G11	metropole blue			

Model	Year	MG	SG	Illustration	Restrictions	Update	12:25	25.11.2005	PORSCHE	PET	PORSCHE
996t	05	8	09	809-20		194					

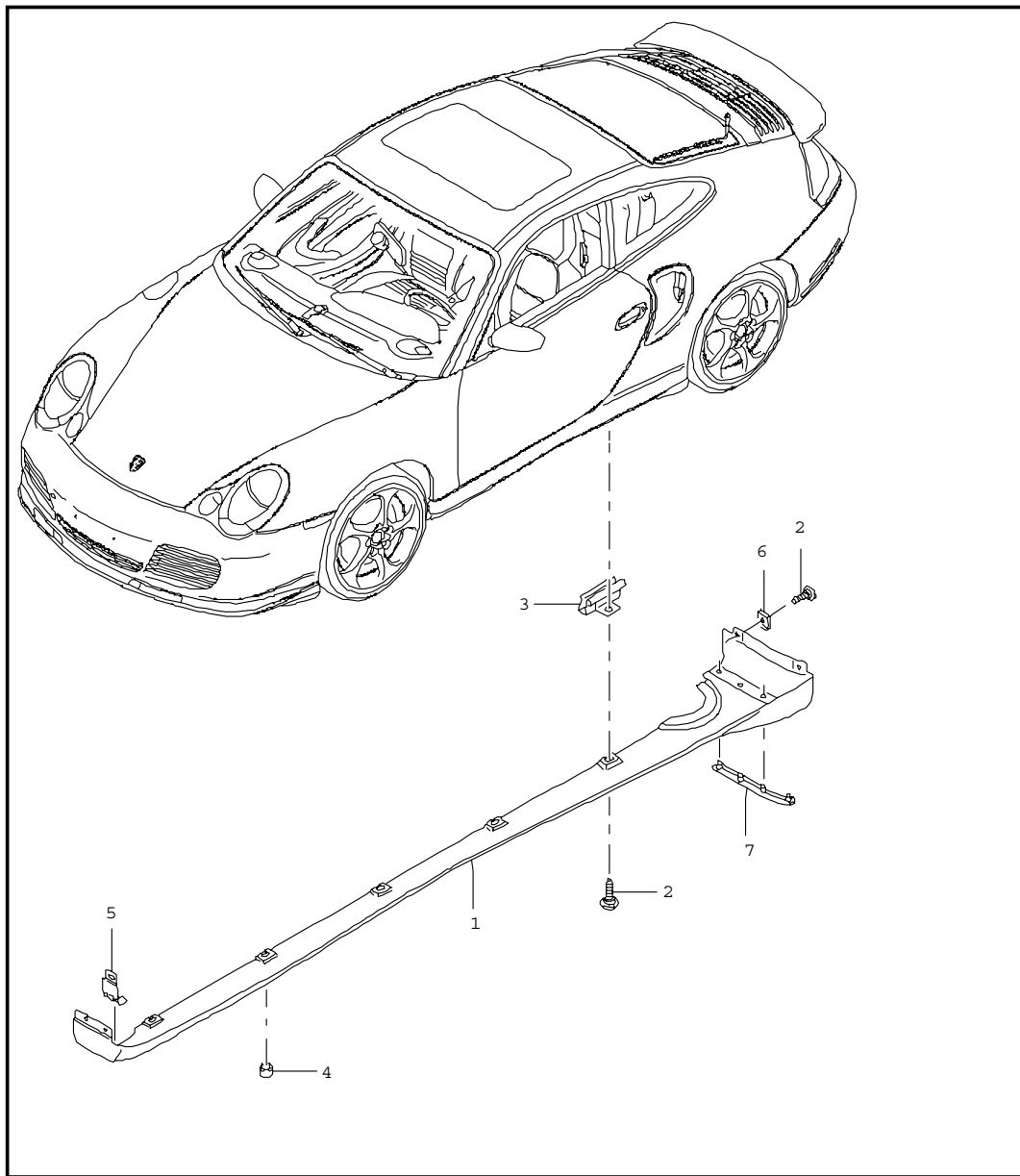
Pos	Part Number	Name	Remarks	Qty	Model	Pos	Part Number	Name	Remarks	Qty	Model
	P12	cinnamon brown									
	D12	dark grey									
	T12	brown/natural									
34	999 920 013 40	special nut 5,0 X 1,0 X 8		1							
35	999 920 012 40	special nut 5,0 X 3,5 X 8		2							
36	996 552 691 00	retaining belt with retaining pin		1							
(36)	996 552 960 01	hinge set repair material	01	1							
(36)	996 552 507 00	hinge	02-	1							
--	999 073 228 09	tapping screw 4,8 X 13	02-	2							
37	996 552 795 01	spring		1							
38	996 552 793 01	retaining bracket package box cover		1							
39	999 507 645 02	threaded piece		2							
40	999 073 081 02	tapping screw 4,2 X 13		2							
		- - - E N D - - -									

Model	Year	MG	SG	Illustration	Restrictions	Update	12:25	25.11.2005	PORSCHE	PET	PORSCHE
996t	05	8	10	810-00		194					



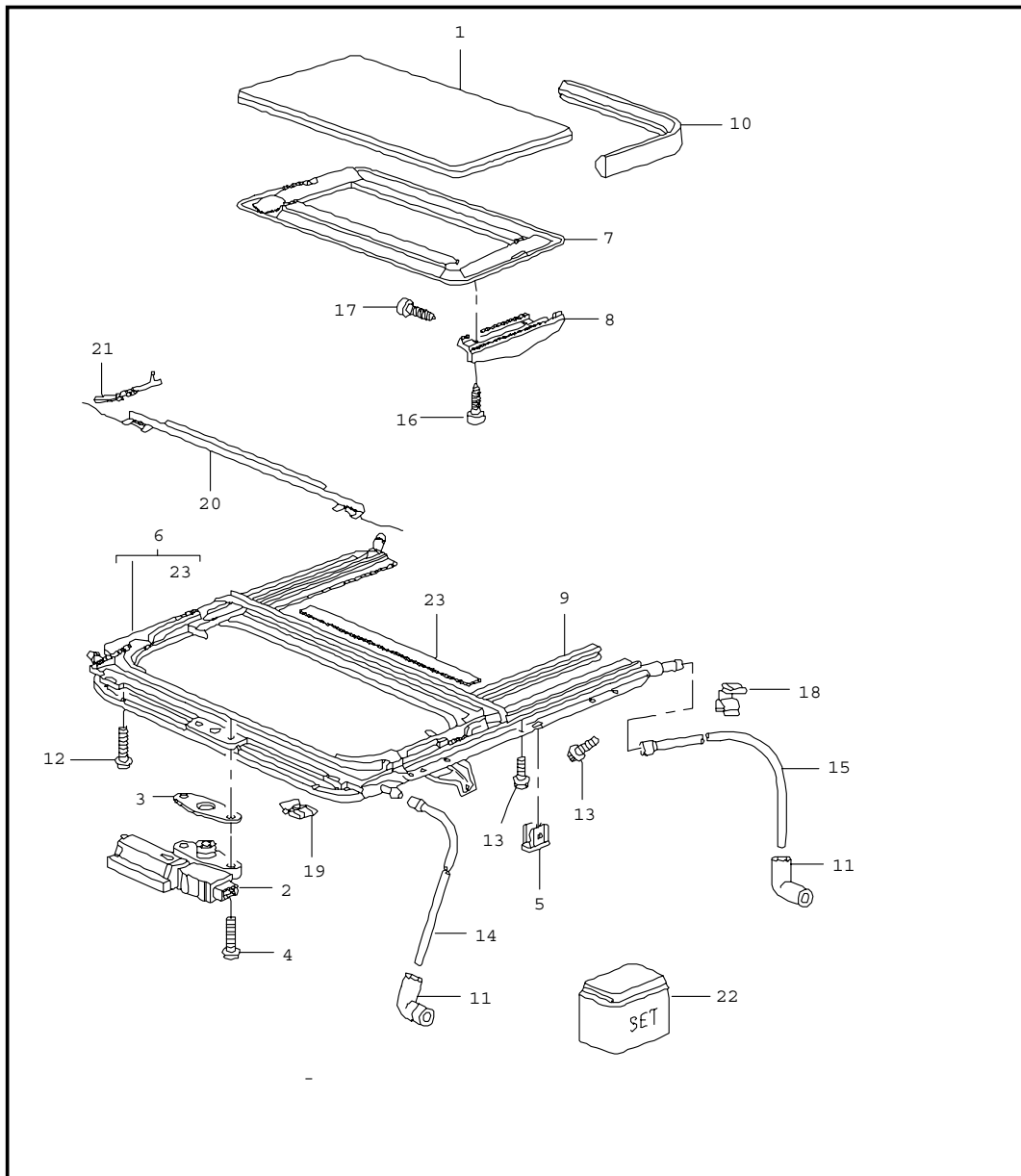
Pos	Part Number	Name	Remarks	Qty	Model
		insignias decorative fittings			
1	996 559 211 00	lid emblem	01-	1	
2	901 559 215 20	desk pad	-02	1	
2	7L5 853 611 B	desk pad	03-	1	
3	999 591 423 03	tapping nut		2	
4	996 559 237 03	logo		1	TURBO
	4PU	silver			
-	996 559 237 91	logo		1	GT 2
	70C	rally black			
(5)	996 559 401 00	roof edge strip	/L	1	
	G2X	prime coated			
(5)	996 559 402 00	roof edge strip	/R	1	
	G2X	prime coated			
(6)	996 559 721 00	gasket	/L	1	
6	996 559 722 00	gasket	/R	1	
7	996 559 403 01	clip		10	
(8)	996 559 405 01	adapter		10	
9	996 559 501 00	flap	/V	2	
	G2X	prime coated			
(9)	996 559 503 00	flap	/H	2	
	G2X	prime coated			
10	996 559 729 00	bracket for flap		4	
11	986 559 243 01	logo chrome	05-	1	M092
- - - E N D - - -					

Model	Year	MG	SG	Illustration	Restrictions	Update	12:26	25.11.2005	PORSCHE	PET	PORSCHE
996t	05	8	10	810-05		194					



Pos	Part Number	Name	Remarks	Qty	Model
		trim door sill single parts			
1	996 504 363 00	trim 01C satin black	/L	1	
(1)	996 504 364 00	trim 01C satin black	/R	1	
2	N 906 487 02	tapping screw 4,8 X 16		10	
3	999 507 640 09	clamp 3,30 - 4,00		10	
4	996 504 715 00	grommet		20	
5	996 504 743 00	support	/L	1	
(5)	996 504 744 00	support	/R	1	
6	999 507 668 02	speed nut 4,8		4	
7	996 504 893 00	rubber lip	/L	1	
(7)	996 504 894 00	rubber lip	/R	1	
- - - E N D - - -					

Model	Year	MG	SG	Illustration	Restrictions	Update	12:26	25.11.2005	PORSCHE	PET	PORSCHE
996t	05	8	11	811-00		194					

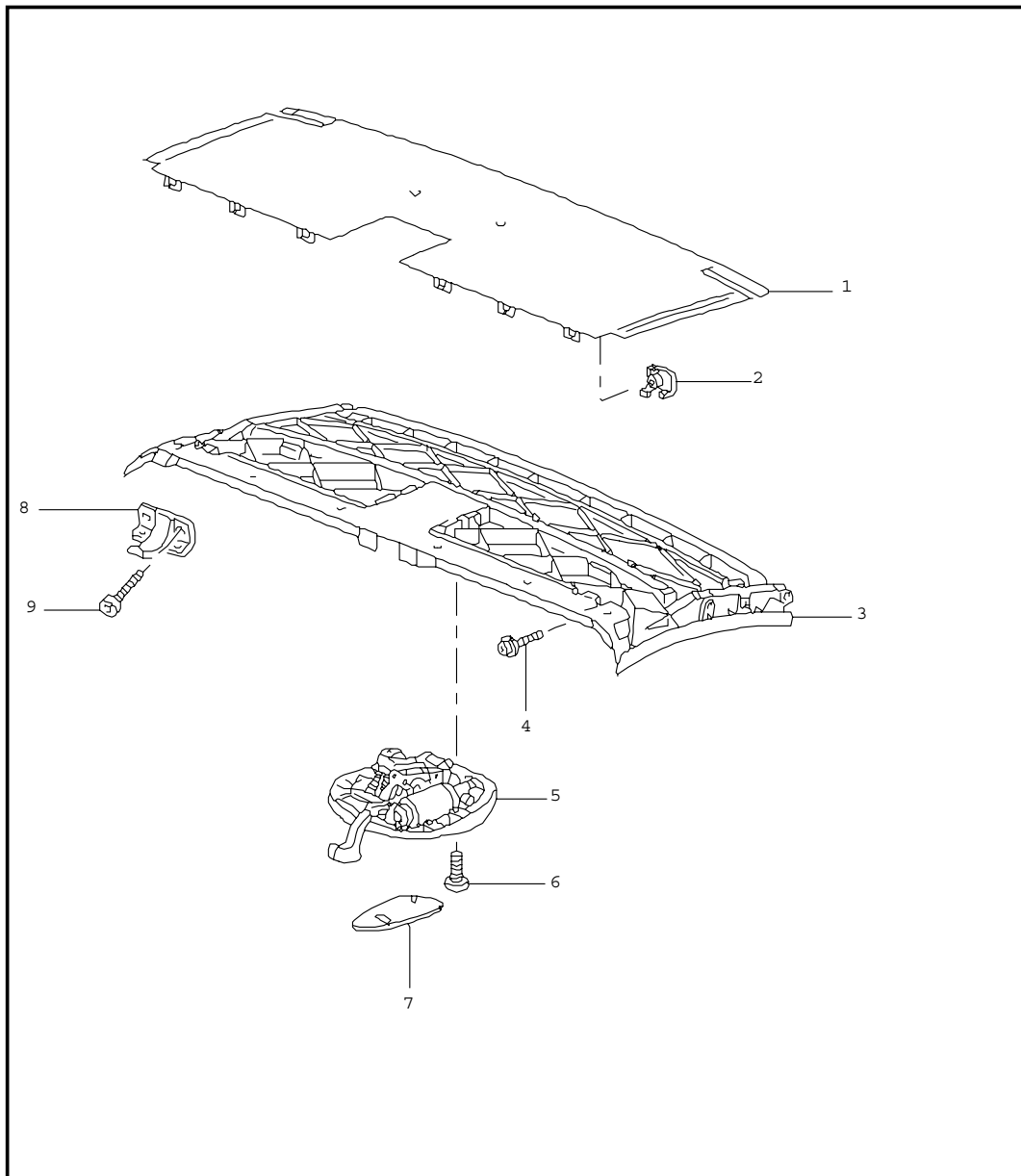


Pos	Part Number	Name	Remarks	Qty	Model
		sunroof			M 650
1	996 564 941 01	cover		1	
		GRV	prime coated		
2	A 996 624 211 02	driving mechanism		1	
2	997 624 211 00	driving mechanism		1	
3	996 564 213 00	spacer		1	
4	999 073 135 07	oval-head screw		2	
5	999 703 258 41	clip		2	
6	996 564 015 02	frame complete		1	
7	996 564 021 02	roof lining	00	1	
		A14	black		
		C54	graphite grey		
		G14	metropole blue		
		S34	savanna		
7	996 564 021 03	roof lining	01-	1	
		A14	black		
		C54	graphite grey		
		S34	savanna		
		G14	metropole blue		
		J34	nephrite green		
7	996 564 021 04	roof lining		1	
		A14	black		
		C54	graphite grey		
		G14	metropole blue		
		S34	savanna		
7	996 564 983 00	roof lining leather		1	
		A11	black		
		C51	graphite grey		

Model	Year	MG	SG	Illustration	Restrictions	Update	12:26	25.11.2005	PORSCHE	PET	PORSCHE
996t	05	8	11	811-00		194					

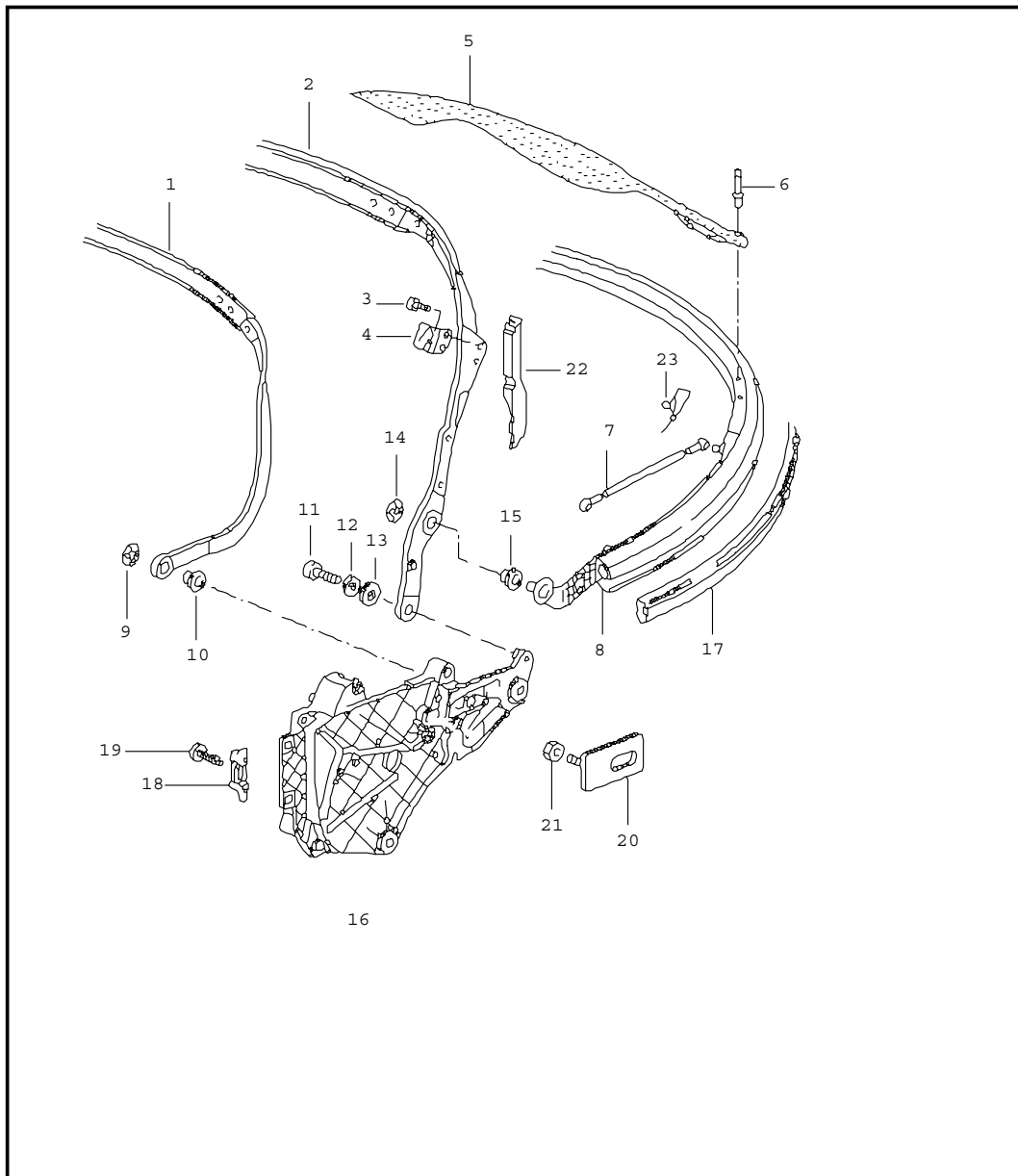
Pos	Part Number	Name	Remarks	Qty	Model	Pos	Part Number	Name	Remarks	Qty	Model
	S31	savanna				19	999 591 348 02	speed nut		2	
	G11	metropole blue				20	996 564 161 02	air deflector		1	
	J31	nephrite green				21	996 564 521 01	hinge		1	
	M31	boxster red				(21)	996 564 522 01	hinge		1	
	D12	dark grey/natural				22	996 564 915 00	assembly kit for frame		1	
--	996 564 950 00	sound absorber for roof lining		1		23	996 564 907 01	protective edging		1	
8	996 564 181 00	cover outer	/L	1				- - - E N D - - -			
	01C	black									
	M6X	dark olive-metallic									
(8)	996 564 182 00	cover outer	/R	1							
	01C	black									
	M6X	dark olive-metallic									
9	996 564 241 00	cover inner	/R	1							
(9)	996 564 242 00	cover inner	/L	1							
10	996 564 211 01	gasket		1							
11	999 702 248 41	grommet		4							
12	999 073 131 02	oval-head screw M6X25		4							
12	999 073 366 02	oval-head screw M6X30		4							
13	999 073 130 02	oval-head screw M6X16		6							
14	996 564 207 00	water drain hose front		2							
15	996 564 237 01	water drain hose rear		2							
16	900 143 133 07	oval-head sheetmetal screw		4							
17	996 564 245 00	screw		4							
18	999 507 631 02	cable holder		6							

Model	Year	MG	SG	Illustration	Restrictions	Update	12:26	25.11.2005	PORSCHE	PET	PORSCHE
996t	05	8	11	811-05		194					



Pos	Part Number	Name	Remarks	Qty	Model
		convertible top frame			TURBO
		front			
		roof frame			
		catch			
1	996 561 963 00	base		1	
2	996 561 731 00	clip		6	
3	996 561 953 00	roof frame		1	
	A09	black			
4	996 561 247 00	expansion rivet		6	
5	996 561 017 01	catch	-04	1	
	A09	black			
(5)	997 561 117 00	catch	05-	1	
---	996 561 947 00	adapter	-04	1	
--	997 561 515 00	cap	05-	1	
	01C	black			
6	999 073 195 09	screw		4	
6	996 561 937 00	1 set cap		1	
8	996 561 605 02	centring journal	/L	1	
(8)	996 561 606 02	centring journal	/R	1	
9	999 919 144 09	screw		4	
		- - - E N D - - -			

Model	Year	MG	SG	Illustration	Restrictions	Update	12:26	25.11.2005	PORSCHE	PET	PORSCHE
996t	05	8	11	811-06		194					

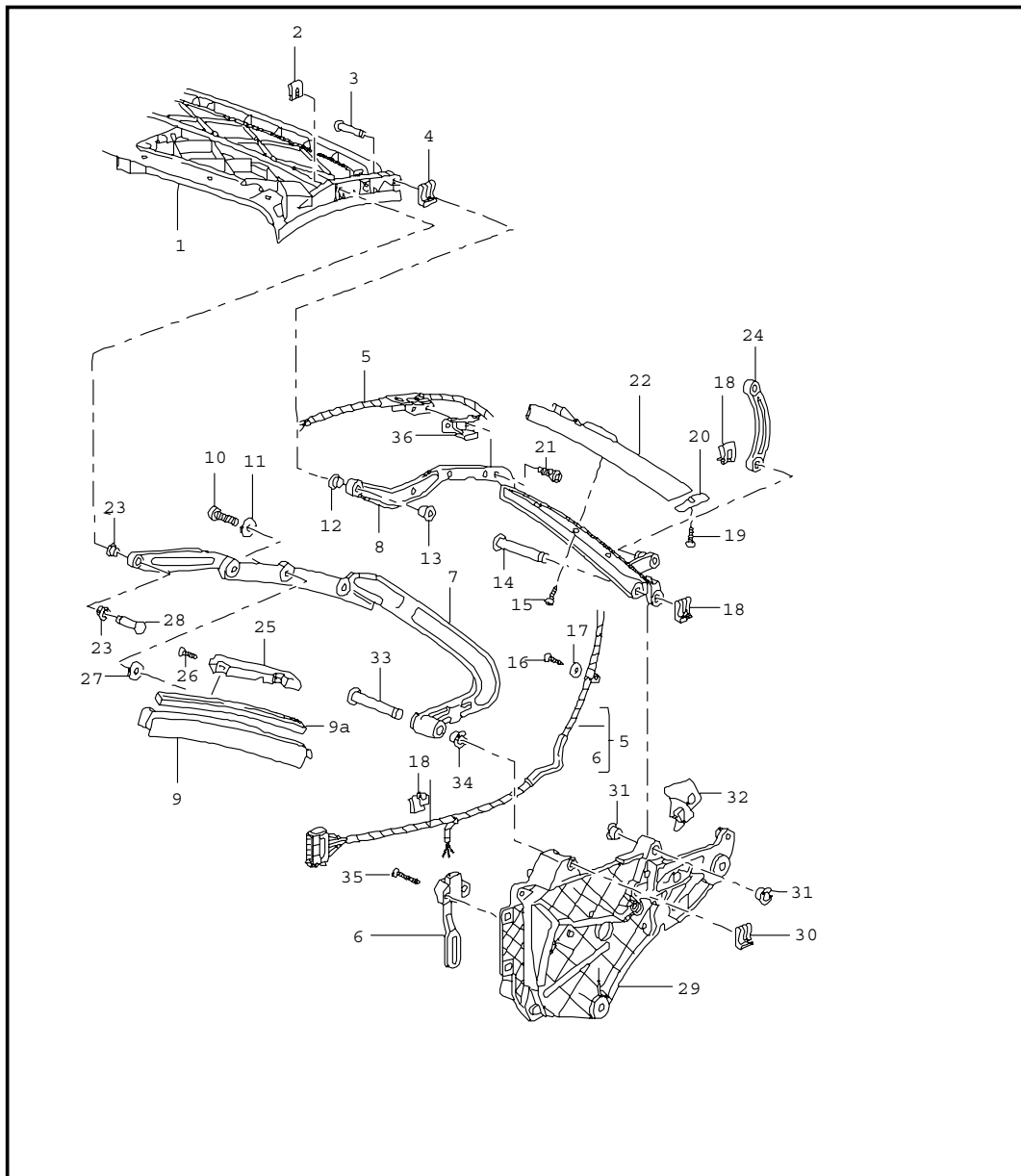


Pos	Part Number	Name	Remarks	Qty	Model
		convertible top frame single parts			TURBO
1	996 561 042 00	bow		1	
2	996 561 037 00	bow		1	
3	900 146 003 02	oval-head screw		4	
4	996 561 959 00	thrust wedge		2	
5	996 561 089 01	restraining strap	/L	1	
(5)	996 561 090 01	restraining strap	/R	1	
6	999 190 446 30	rivet		X	
7	996 561 191 00	tension rope		2	
8	996 561 041 01	bow		1	
9	996 561 645 00	lock		4	
10	999 924 122 40	bush		4	
11	999 073 195 09	oval-head screw		2	
12	900 151 006 09	washer		2	
13	999 924 131 30	washer		2	
14	996 561 645 00	lock		4	
15	999 924 122 40	bush		X	
16	996 561 443 00	convertible top support	/L	1	
(16)	996 561 444 00	convertible top support	/R	1	
17	996 561 693 00	additional gasket FUER bow POS.8		1	
18	996 561 735 02	adjusting shim		2	
19	999 073 138 09	screw		2	
20	996 561 715 00	support		2	
21	999 084 630 09	hexagon nut		2	
22	996 561 259 00	gasket	/L	1	
22	996 561 260 00	gasket	/R	1	

Model	Year	MG	SG	Illustration	Restrictions	Update	12:26	25.11.2005	PORSCHE	PET	PORSCHE
996t	05	8	11	811-06		194					

Pos	Part Number	Name	Remarks	Qty	Model	Pos	Part Number	Name	Remarks	Qty	Model
23	996 561 055 01	bracket for tension rope	/L	1							
(23)	996 561 056 01	bracket for tension rope	/R	1							
		- - - E N D - - -									

Model	Year	MG	SG	Illustration	Restrictions	Update	12:27	25.11.2005	PORSCHE	PET	PORSCHE
996t	05	8	11	811-07		194					

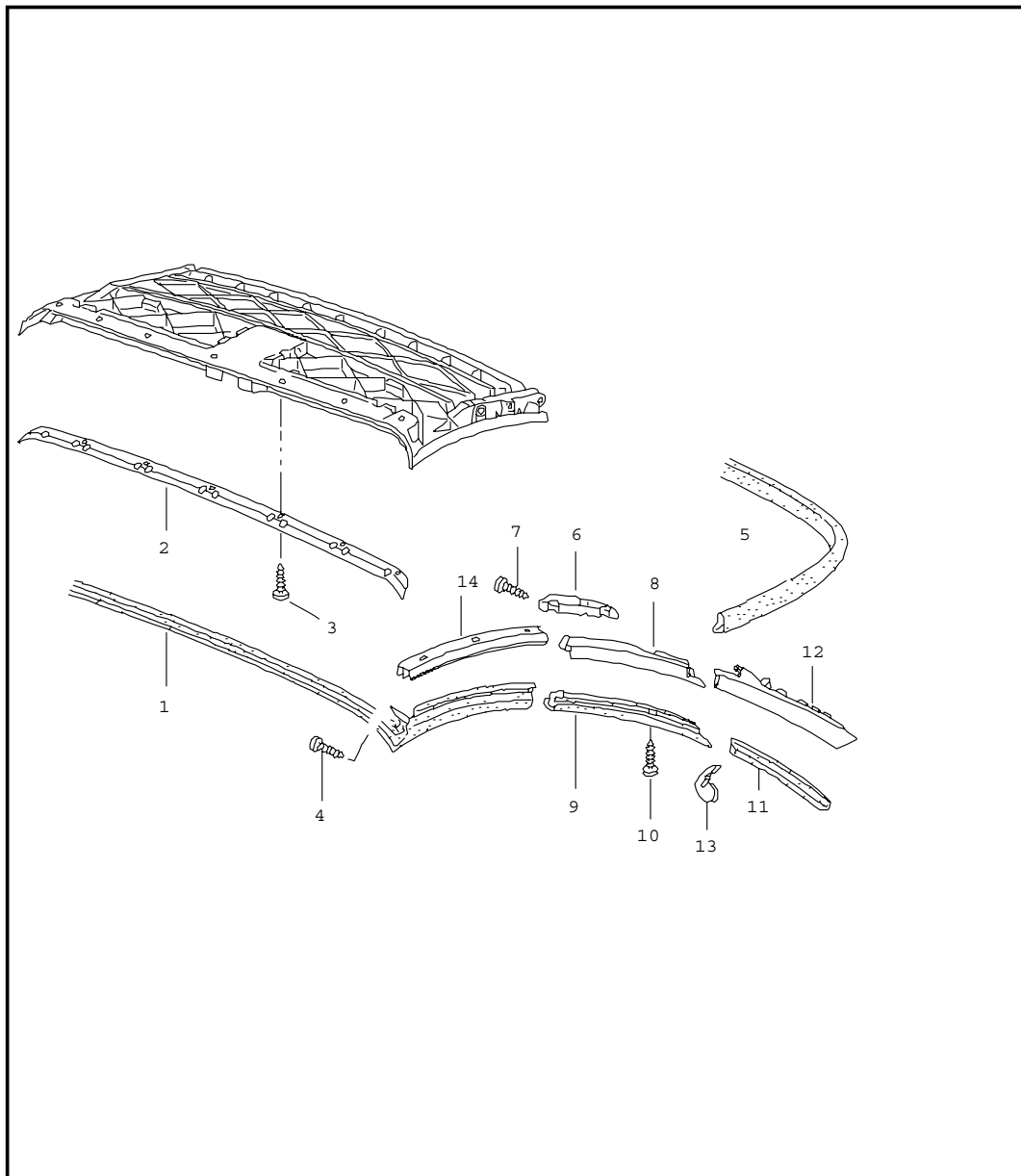


Pos	Part Number	Name	Remarks	Qty	Model
		convertible top frame single parts			TURBO
1	996 561 953 00	roof frame		1	
	A09	black			
2	999 166 075 02	lock		X	
3	999 088 041 30	bolt 8X23,2		2	
4	999 166 075 02	lock		X	
5	996 612 005 15	wiring harness	-04	1	
5	997 612 698 00	wiring harness	05-	1	
6	996 613 313 02	potentiometer		1	
7	996 561 335 00	roof frame	/L	1	
(7)	996 561 336 00	roof frame		1	
8	996 561 339 00	roof frame	/L	1	
(8)	996 561 340 00	roof frame	/R	1	
9	996 561 355 00	sealing frame	/L	1	
	A09	black			
(9)	996 561 356 00	sealing frame	/R	1	
	A09	black			
9A	996 561 219 00	gasket for sealing frame		2	
10	999 073 195 09	screw M 6X20		X	
11	900 151 006 09	washer		X	
12	999 924 152 00	bush		2	
13	999 924 152 00	bush		2	
14	999 088 031 30	bolt		1	
15	999 919 152 09	oval-head screw		X	
16	900 144 101 02	tapping screw		X	
17	900 151 027 02	washer		8	
18	999 166 076 02	lock		X	

Model	Year	MG	SG	Illustration	Restrictions	Update	12:27	25.11.2005	PORSCHE	PET	PORSCHE
996t	05	8	11	811-07		194					

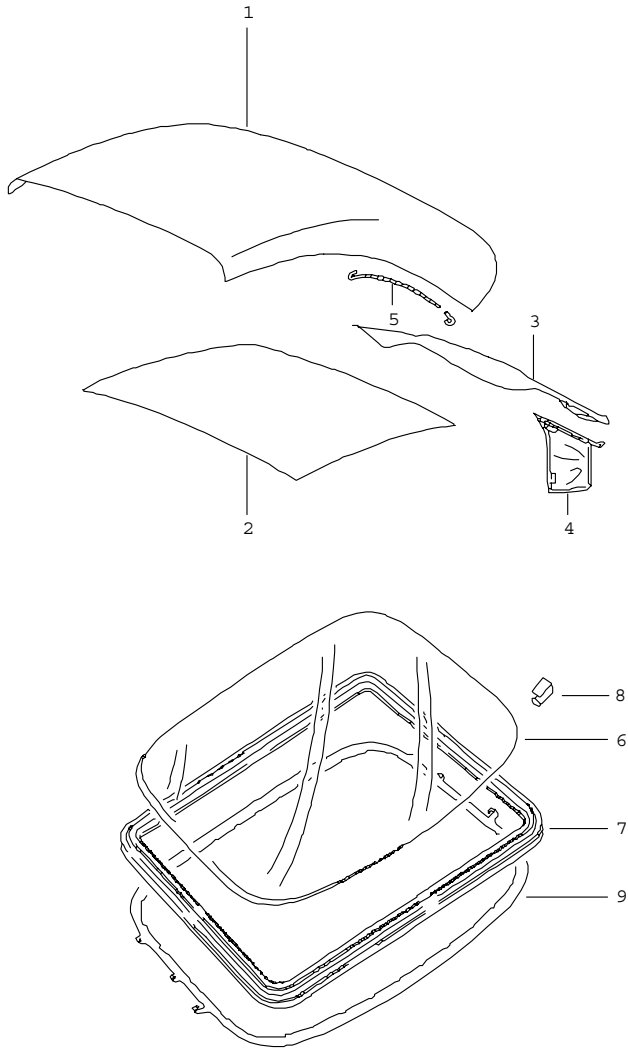
Pos	Part Number	Name	Remarks	Qty	Model	Pos	Part Number	Name	Remarks	Qty	Model
19	999 919 141 09	oval-head screw		4							
20	996 561 239 00	gasket	/L	1							
(20)	996 561 240 00	gasket	/R	1							
21	N 014 128 13	oval-head screw		4							
22	996 561 319 00	frame	/L	1							
(22)	996 561 320 00	frame		1							
23	999 924 152 00	bush		4							
24	996 561 051 01	lever	/L	1							
(24)	996 561 052 01	lever	/R	1							
25	996 561 535 00	guide	/L	1							
(25)	996 561 536 00	guide	/R	1							
26	999 919 141 09	oval-head screw		4							
27	999 025 267 09	washer		8							
28	999 088 040 30	bolt		2							
29	996 561 443 00	convertible top support	/L	1							
(29)	996 561 444 00	convertible top support	/R	1							
30	999 166 076 02	lock		6							
31	999 924 125 40	bush		4							
32	996 561 249 01	gasket	/L	1							
(32)	996 561 250 01	gasket	/R	1							
33	999 088 031 30	bolt		4							
34	999 924 125 40	bush		4							
35	999 919 152 09	oval-head screw		2							
		- - - E N D - - -									

Model	Year	MG	SG	Illustration	Restrictions	Update	12:27	25.11.2005	PORSCHE	PET	PORSCHE
996t	05	8	11	811-09		194					



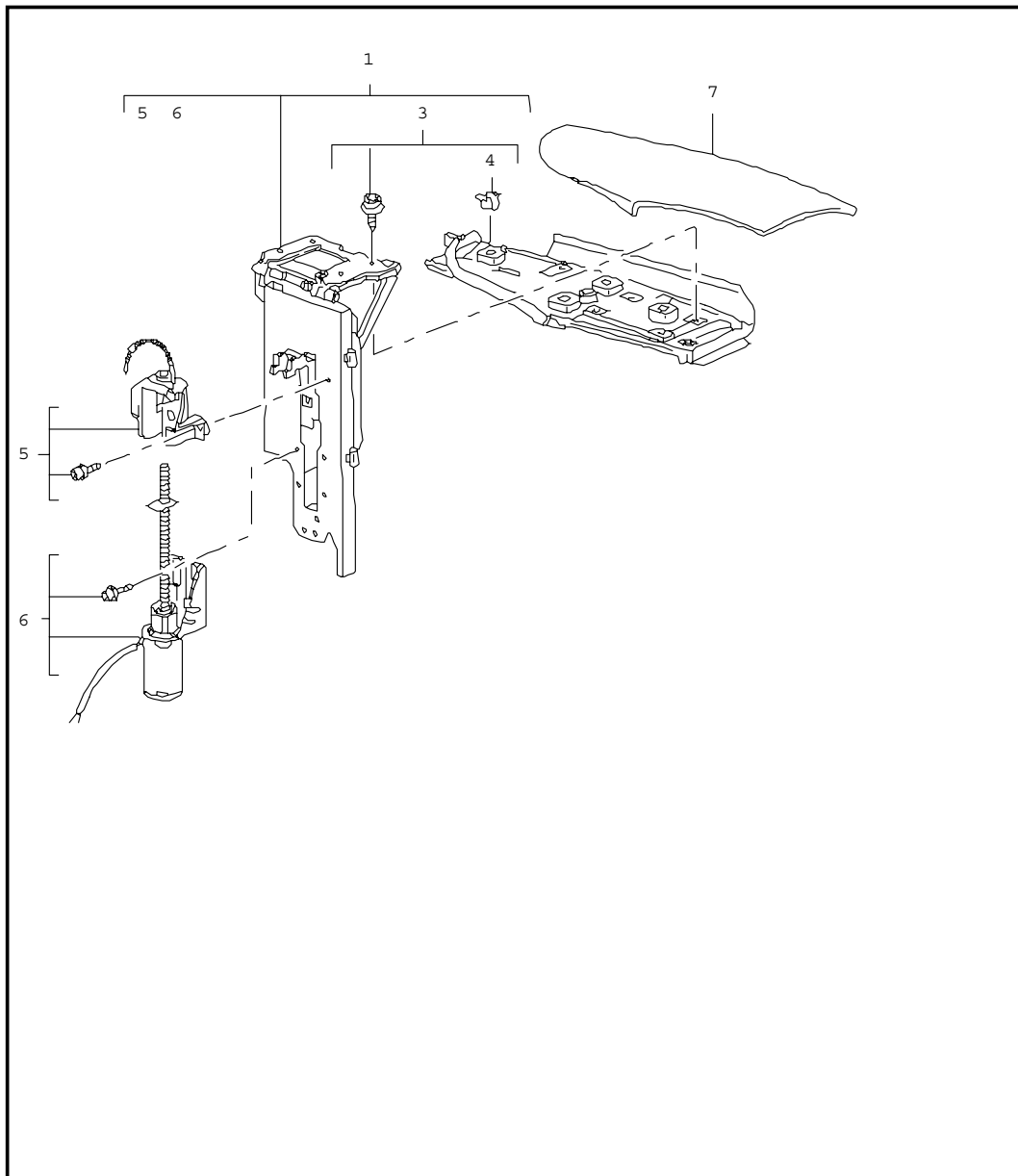
Pos	Part Number	Name	Remarks	Qty	Model
		convertible top seal			TURBO
1	996 561 027 00	roof frame seal	-04	1	
1	997 561 327 00	roof frame seal	05-	1	
2	996 561 501 01	retaining strip	-04	1	
2	997 561 501 00	retaining strip	05-	1	
3	999 919 139 09	oval-head screw		7	
4	999 919 139 09	oval-head screw		2	
5	996 561 449 00	gasket		1	
7	999 919 152 09	oval-head screw		4	
8	996 561 355 00	frame	/L	1	
(8)	996 561 356 00	frame	/R	1	
9	996 561 413 00	gasket	/L	1	
(9)	996 561 414 00	gasket	/R	1	
10	999 919 152 09	oval-head screw		8	
11	996 561 411 00	gasket	/L	1	
(11)	996 561 412 00	gasket	/R	1	
12	996 561 319 00	frame	/L	1	
(12)	996 561 320 00	frame	/R	1	
13	996 561 935 00	filler piece set		2	
14	996 561 527 00	mounting	/L	1	
14	996 561 528 00	mounting	/R	1	
		- - - E N D - - -			

Model	Year	MG	SG	Illustration	Restrictions	Update	12:27	25.11.2005	PORSCHE	PET	PORSCHE
996t	05	8	11	811-10		194					



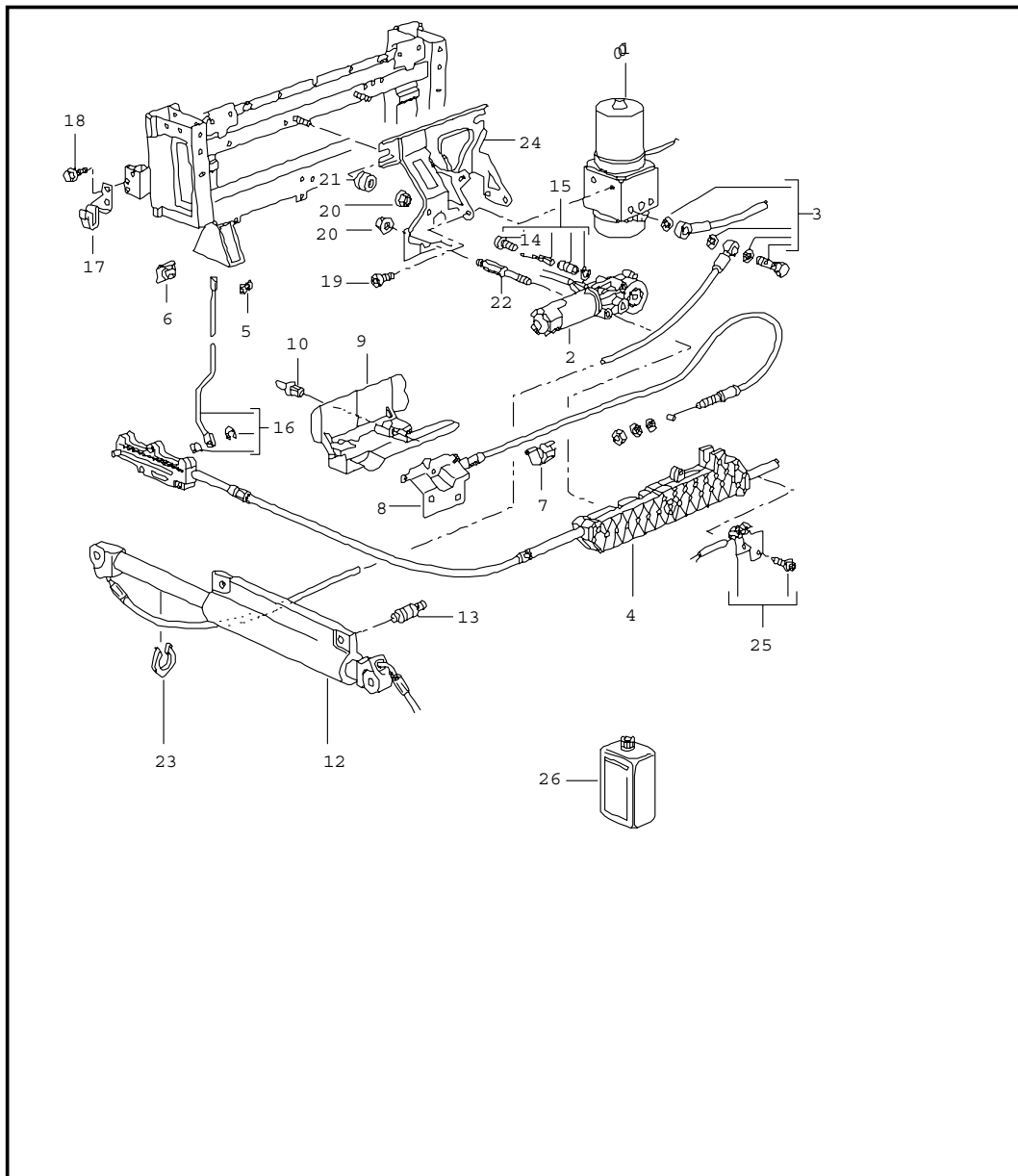
Pos	Part Number	Name	Remarks	Qty	Model
		convertible top covering roof lining			TURBO
1	996 561 915 02	convertible top covering without rear window	-04	1	
	A10	black			
	C50	graphite grey			
	G02	metropole blue			
1	997 561 901 00	convertible top covering without rear window	05-	1	
	A10	black			
	C50	graphite grey			
	G02	metropole blue			
2	996 561 085 01	roof lining		1	
	A21	black			
3	996 561 089 01	restraining strap	/L	1	
(3)	996 561 090 01	restraining strap	/R	1	
4	996 561 095 01	bag	/L	1	
	A20	black			
(4)	996 561 096 01	bag	/R	1	
	A20	black			
5	996 561 931 01	tension rope		2	
6	996 561 101 00	rear window		1	
7	996 561 331 00	gasket		1	
8	996 561 205 00	clamp		32	
9	996 561 203 00	frame		1	
- - - E N D - - -					

Model	Year	MG	SG	Illustration	Restrictions	Update	12:27	25.11.2005	PORSCHE	PET	PORSCHE
996t	05	8	11	811-11		194					



Pos	Part Number	Name	Remarks	Qty	Model
		flap lateral folding top			TURBO
1	996 561 175 01	flap	/L	1	
(1)	996 561 176 01	flap	/R	1	
3	996 561 625 00	flap	/L	1	
(3)	996 561 626 00	flap	/R	1	
5	996 561 685 00	microswitch	/L	1	
(5)	996 561 686 00	microswitch	/R	1	
6	996 561 675 00	driving mechanism	/L	1	
(6)	996 561 676 00	driving mechanism	/R	1	
7	--- --- --- ---	see illustrations 8/07/07	/R	1	
		- - - E N D - - -			

Model	Year	MG	SG	Illustration	Restrictions	Update	12:27	25.11.2005	PORSCHE	PET	PORSCHE
996t	05	8	11	811-12		194					

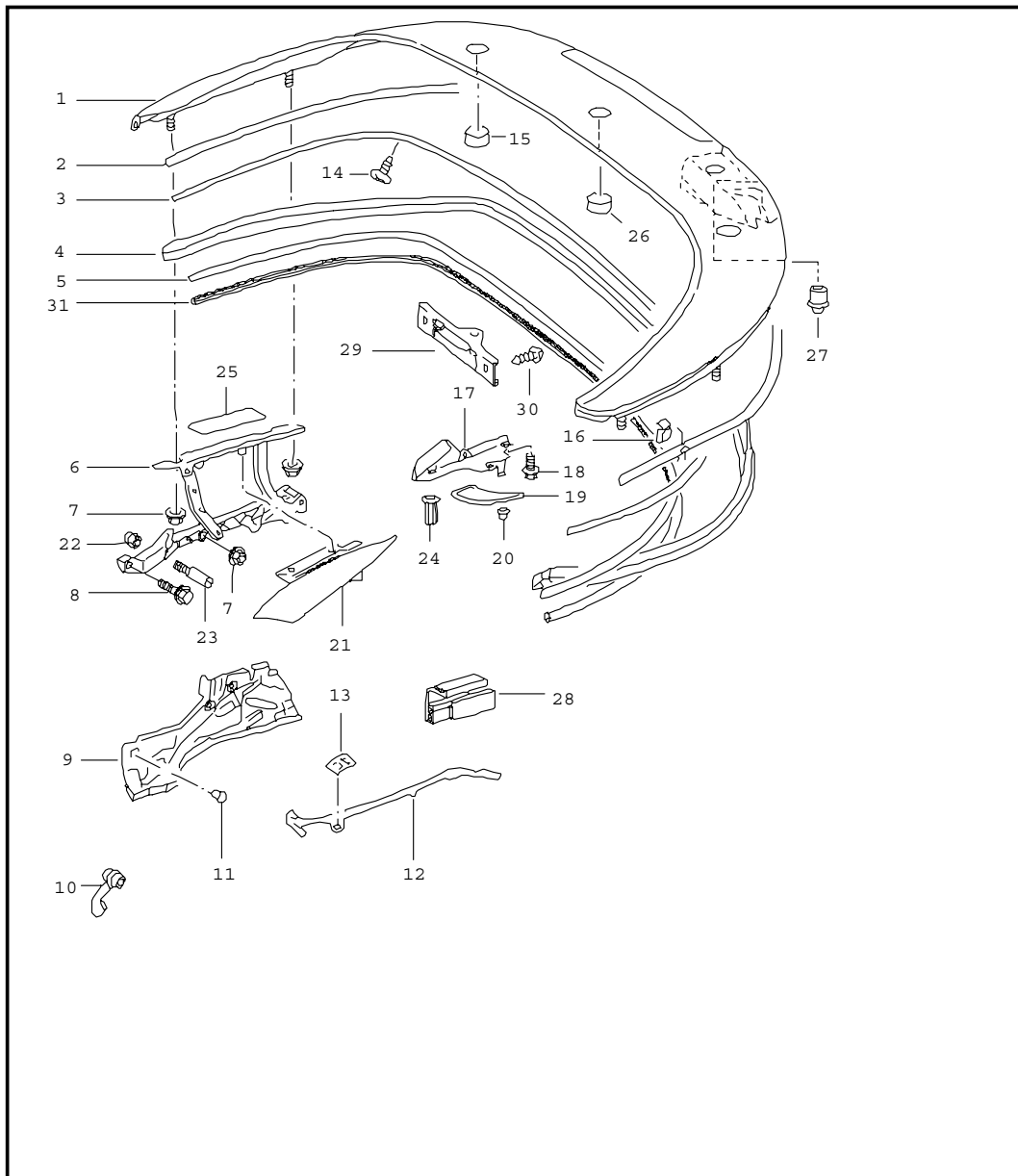


Pos	Part Number	Name	Remarks	Qty	Model
		convertible top driving mechanism hydraulic			TURBO
1	996 561 307 02	pump		1	
2	996 561 933 01	engine		1	
3	996 561 573 00	banjo bolt		2	
4	996 561 021 04	driving mechanism		1	
5	999 166 054 02	lock		2	
6	999 703 425 40	spacer sleeve		3	
7	999 507 683 40	cable holder		X	
8	996 561 065 01	locking device		1	
9	996 561 265 01	trim	-01	1	
9	996 561 265 01	trim	02-	1	
10	999 591 941 40	expansion rivet		X	
12	996 561 945 02	cylinder		2	
13	996 561 245 00	bolt		1	
14	996 561 671 00	screw		1	
15	996 561 673 01	repair kit		1	
16	996 561 229 00	push rod	/L	1	
16	996 561 230 00	push rod	/R	1	
17	996 561 105 00	bracket	/L	1	
(17)	996 561 106 00	bracket	/R	1	
18	900 378 173 09	hexagon-head tapping screw		X	
19	N 014 750 3	pan-head screw		4	
21	999 703 424 40	rubber buffer		3	
22	996 561 863 01	stud		2	
23	996 561 281 00	retainer		2	
24	996 561 207 01	bracket		1	
25	996 561 165 01	microswitch		1	
26	000 043 204 89	OEL 250 ML		X	

Model	Year	MG	SG	Illustration	Restrictions	Update					
996t	05	8	11	811-12		194	12:27	25.11.2005	PORSCHE	PET	PORSCHE

Pos	Part Number	Name	Remarks	Qty	Model	Pos	Part Number	Name	Remarks	Qty	Model
		- - - E N D - - -									

Model	Year	MG	SG	Illustration	Restrictions	Update	12:28	25.11.2005	PORSCHE	PET	PORSCHE
996t	05	8	11	811-13		194					

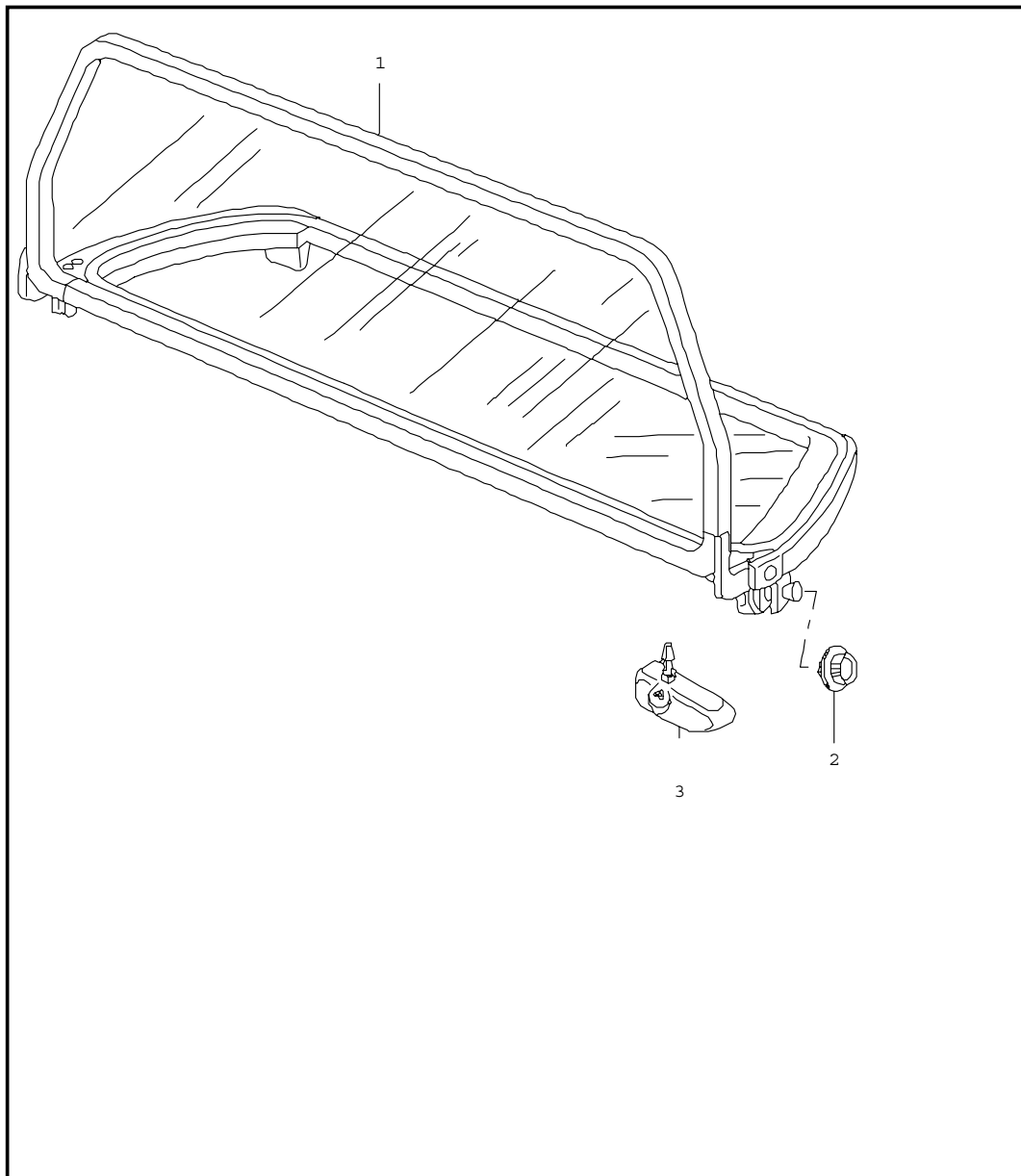


Pos	Part Number	Name	Remarks	Qty	Model
		convertible top compartm. cover gaskets			TURBO
1	996 514 011 02	cover		1	
		GRV prime coated			
2	996 514 631 00	sealing strip		1	
3	996 514 731 00	gasket		1	
4	996 514 714 00	protective edging		1	
5	996 514 211 04	gasket		1	
6	996 561 907 02	hinge	/L	1	
6	996 561 908 02	hinge	/R	1	
7	900 377 003 02	hexagon nut		4	
8	900 378 180 09	hexagon-head bolt		2	
9	996 561 805 03	water drip pan	/L	1	
9	996 561 806 03	water drip pan	/R	1	
10	996 561 815 01	water drain hose	/L	1	
10	996 561 816 01	water drain hose	/R	1	
11	999 703 432 40	plug		2	
12	996 561 755 01	water drain strip		1	
(12)	996 561 756 01	water drain strip		1	
13	999 507 647 02	tab washer		4	
14	999 073 047 02	tapping screw		2	
15	996 561 633 01	buffer		2	
16	999 507 600 09	u-clamp		2	
18	999 073 189 09	oval-head screw		6	
19	996 504 861 00	cover	/L	1	
		GRV prime coated			
(19)	996 504 862 00	cover	/R	1	
		GRV prime coated			
20	999 702 264 40	grommet		4	

Model	Year	MG	SG	Illustration	Restrictions	Update	12:28	25.11.2005	PORSCHE	PET	PORSCHE
996t	05	8	11	811-13		194					

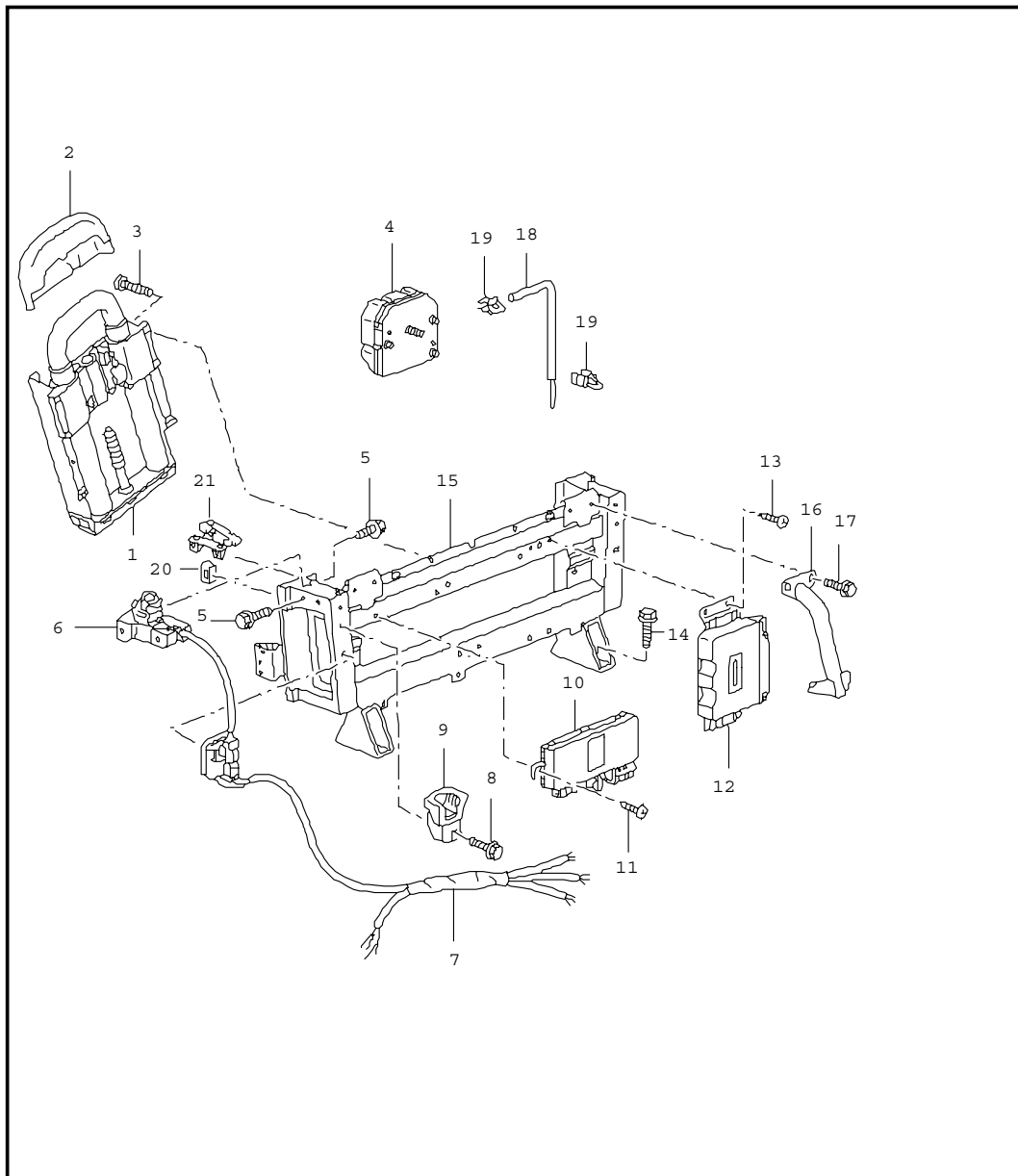
Pos	Part Number	Name	Remarks	Qty	Model	Pos	Part Number	Name	Remarks	Qty	Model
21	996 561 061 02	flap	/L	1							
21	996 561 061 02	flap	/L	1							
(21)	996 561 062 02	flap	/R	1							
(21)	996 561 062 02	flap	/R	1							
22	999 500 086 02	blind rivet nut		4							
23	999 242 004 02	threaded pin		2							
24	900 360 001 02	nut		2							
(24)	996 504 855 01	mounting		4							
25	996 561 904 00	adhesive plate		X							
26	986 561 633 01	buffer		1							
27	999 703 140 40	buffer		1							
28	996 561 401 00	stop	/L	1							
(28)	996 561 402 00	stop	/R	1							
29	996 561 465 00	clip		1							
30	999 073 130 02	oval-head screw		2							
31	996 514 511 00	clip		2							
		- - - E N D - - -									

Model	Year	MG	SG	Illustration	Restrictions	Update	12:28	25.11.2005	PORSCHE	PET	PORSCHE
996t	05	8	11	811-14		194					



Pos	Part Number	Name	Remarks	Qty	Model
		wind deflector			TURBO
1	996 561 125 02	wind deflector		1	
	01C	black			
2	996 561 127 00	rose	/L	1	
	01C	black			
2	996 561 128 00	rose	/R	1	
	01C	black			
3	996 561 955 00	repair kit	/L	1	
(3)	996 561 956 00	repair kit	/R	1	
- - - E N D - - -					

Model	Year	MG	SG	Illustration	Restrictions	Update	12:28	25.11.2005	PORSCHE	PET	PORSCHE
996t	05	8	11	811-15		194					

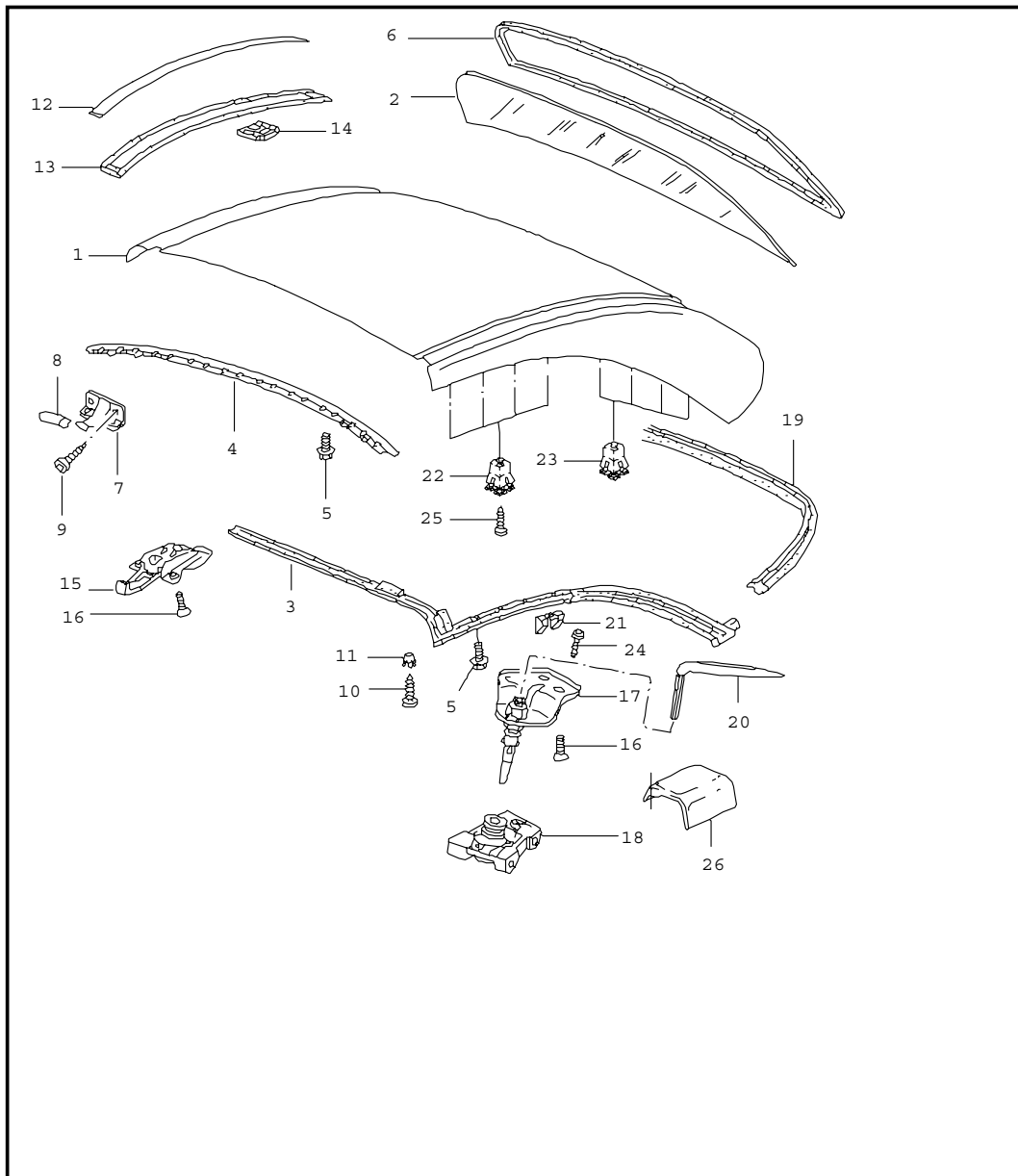


Pos	Part Number	Name	Remarks	Qty	Model
		roll-over bar			TURBO CABRIO
1	996 580 021 01	roll-over bar		2	
2	996 580 191 01	cap		2	
3	900 067 382 09	hexagon-head bolt		12	
4	996 618 281 00	control unit		1	
5	900 378 173 09	hexagon-head bolt		4	
-	999 084 635 02	shear-off nut		3	
6	996 561 653 03	mounting	/L -04	1	
6	996 561 653 04	mounting	/L 05-	1	
(6)	996 561 654 03	mounting	/R -04	1	
(6)	996 561 654 04	mounting	/R 05-	1	
7	996 612 065 15	wiring harness		1	
8	900 378 173 09	hexagon-head bolt		2	
9	996 561 463 02	guide	/L	1	
9	996 561 464 02	guide	/R	1	
10	996 618 111 04	control unit		1	
11	999 073 060 02	tapping screw		X	
12	---	see group 9/01/03		X	
13	999 073 060 02	tapping screw		X	
14	900 378 173 09	hexagon-head bolt		4	
15	996 580 311 02	auxiliary support		1	
--	999 590 050 40	catch		4	
--	999 650 176 40	clip		3	
16	996 580 331 02	bracket	/L	1	
(16)	996 580 332 02	bracket	/R	1	
17	900 378 173 09	hexagon-head bolt		X	
18	999 571 079 03	angular screw driver		1	
19	999 507 633 40	retaining clip		2	

Model	Year	MG	SG	Illustration	Restrictions	Update	12:28	25.11.2005	PORSCHE	PET	PORSCHE
996t	05	8	11	811-15		194					

Pos	Part Number	Name	Remarks	Qty	Model	Pos	Part Number	Name	Remarks	Qty	Model
20	996 561 457 00	sleeve		2							
21	996 561 297 00	insert	/L	1							
(21)	996 561 298 00	insert	/R	1							
		- - - E N D - - -									

Model	Year	MG	SG	Illustration	Restrictions	Update	12:28	25.11.2005	PORSCHE	PET	PORSCHE
996t	05	8	11	811-16		194					

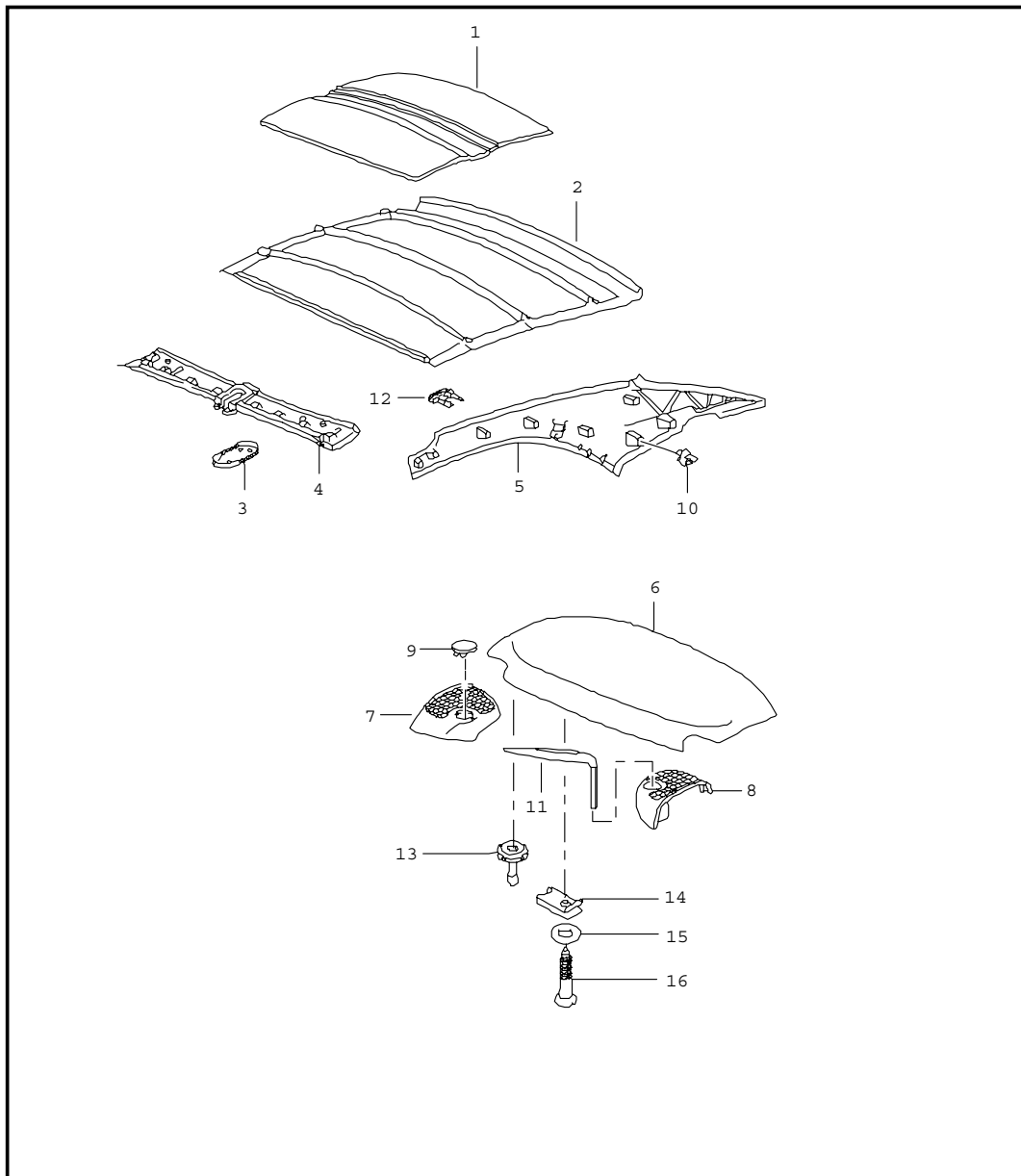


Pos	Part Number	Name	Remarks	Qty	Model
		hardtop accessories gaskets			TURBO M 550
1	996 563 911 00	hardtop		1	
	GRV	prime coated without accessories			
2	996 563 091 00	rear window	ready for installation	1	
3	996 563 025 02	roof frame seal		1	
--	996 563 309 00	retaining strip	/L	1	
--	996 563 310 00	retaining strip	/R	1	
4	996 563 319 00	retaining strip		1	
5	900 067 378 09	pan-head screw		10	
6	996 563 029 00	gasket		1	
7	996 563 405 00	centring journal	/L	1	
(7)	996 563 406 00	centring journal	/R	1	
8	996 563 705 01	cap	/L	1	
8	996 563 706 01	cap	/R	1	
9	999 919 144 09	oval-head screw		4	
10	999 073 049 02	tapping screw		14	
11	999 507 547 40	expander nut		8	
12	996 563 707 00	cover strip	/L	1	
	GRV	prime coated			
(12)	996 563 708 00	cover strip	/R	1	
	GRV	prime coated			
13	996 563 361 00	gasket	/L	1	
(13)	996 563 362 00	gasket	/R	1	
14	986 563 721 00	clip		8	
15	996 563 401 00	catch		1	
16	900 378 030 09	hexagon-head bolt M 6X20		3	

Model	Year	MG	SG	Illustration	Restrictions	Update	12:28	25.11.2005	PORSCHE	PET	PORSCHE
996t	05	8	11	811-16		194					

Pos	Part Number	Name	Remarks	Qty	Model	Pos	Part Number	Name	Remarks	Qty	Model
17	996 563 403 03	catch	/L -04	1							
17	996 563 403 04	catch	/L -05	1							
(17)	996 563 404 03	catch	/R -04	1							
(17)	996 563 404 04	catch	/R 05-	1							
18	996 561 653 03	mounting	/L -04	1							
18	996 561 653 04	mounting	/L 05-	1							
--	996 561 657 01	insert	-04	1							
--	996 561 657 02	insert	05-	1							
--	900 249 031 09	countersunk-head screw		6							
(18)	996 561 654 03	mounting	/R -04	1							
(18)	996 561 654 04	mounting	/R 05-	1							
--	996 561 658 01	insert	-04	1							
--	996 561 658 02	insert	05-	1							
19	996 563 027 01	gasket		1							
20	996 563 413 00	tool	-04	1							
20	996 563 413 01	tool	05-	1							
21	996 563 125 00	thrust wedge		2							
22	999 507 923 40	expander nut green		8							
23	999 507 924 40	expander nut yellow		8							
24	999 450 008 09	tapping screw		2							
25	999 073 049 02	tapping screw		16							
26	996 563 421 01	protective tab		2							
--	999 507 659 40	expander nut	/L	1							
--	999 507 662 40	expander nut	/R	1							
		- - - E N D - - -									

Model	Year	MG	SG	Illustration	Restrictions	Update	12:28	25.11.2005	PORSCHE	PET	PORSCHE
996t	05	8	11	811-17		194					

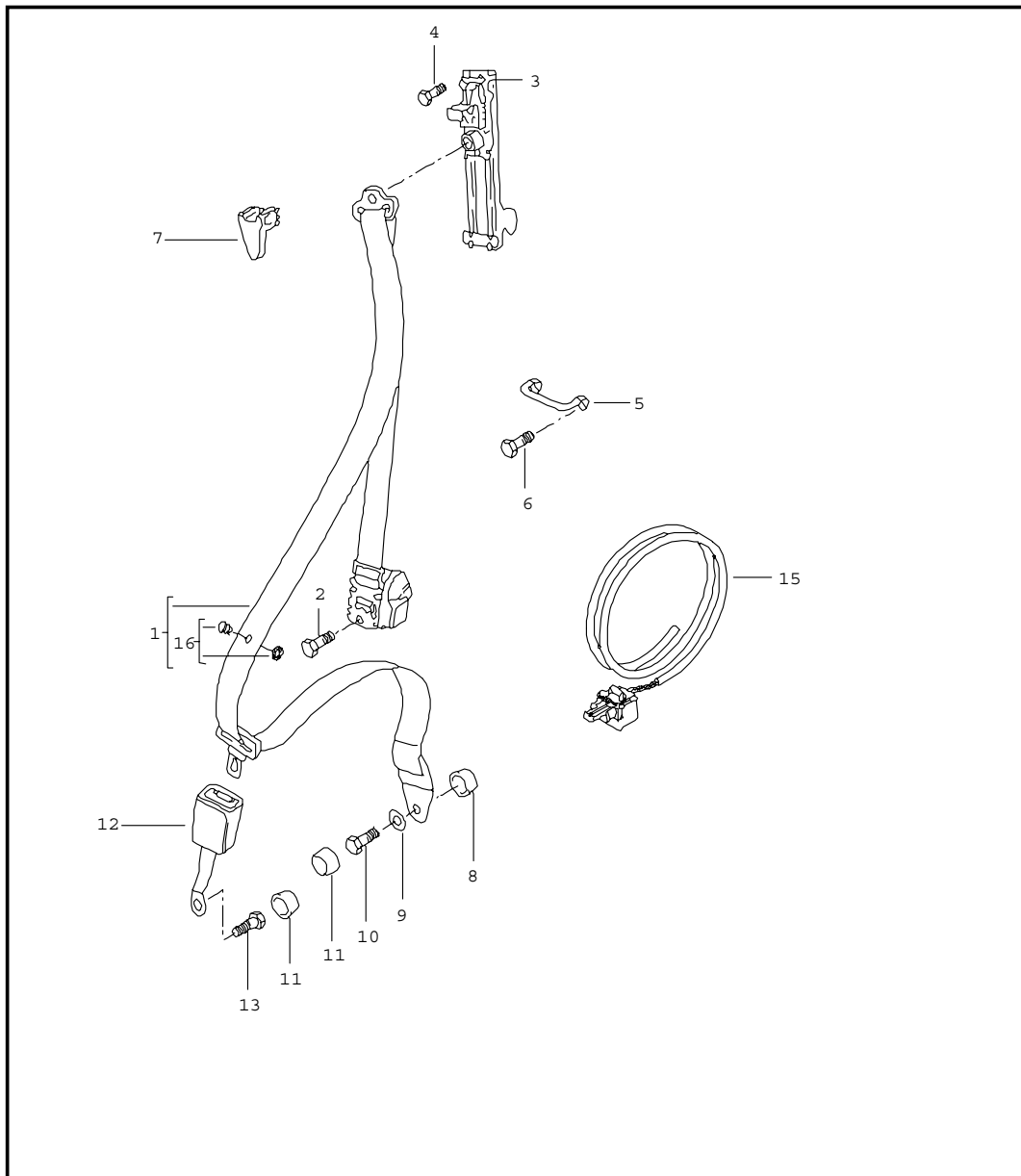


Pos	Part Number	Name	Remarks	Qty	Model
		hardtop sound absorber			TURBO
1	996 563 523 00	sound absorber		1	
2	996 563 111 00	inner lining		1	
	A20	black			
3	996 563 551 00	trim		1	
	01C	black			
4	996 563 501 00	lining leatherette		1	
	A12	black			
	B52	space grey			
	C52	graphite grey			
	G12	metropole blue			
	S32	savanna			
	J32	nephrite green			
5	996 563 503 00	lining leatherette	/L	1	
	A12	black			
	B52	space grey			
	C52	graphite grey			
	G12	metropole blue			
	S32	savanna			
	J32	nephrite green			
(5)	996 563 504 00	lining leatherette	/R	1	
	A12	black			
	B52	space grey			
	C52	graphite grey			
	G12	metropole blue			
	S32	savanna			
	J32	nephrite green			

Model	Year	MG	SG	Illustration	Restrictions	Update	12:28	25.11.2005	PORSCHE	PET	PORSCHE
996t	05	8	11	811-17		194					

Pos	Part Number	Name	Remarks	Qty	Model	Pos	Part Number	Name	Remarks	Qty	Model
6	996 563 505 00	lining		1		16	900 143 046 02	tapping screw		2	
	A07	black						- - - E N D - - -			
	B07	space grey									
	C07	graphite grey									
	G07	metropole blue									
7	996 563 554 00	lining	/R	1							
	A10	black									
	B50	space grey									
	C50	graphite grey									
	G10	metropole blue									
8	996 563 553 00	lining	/L	1							
	A10	black									
	B50	space grey									
	C50	graphite grey									
	G10	metropole blue									
9	996 555 457 00	cover		2							
	A10	black									
	C50	graphite grey									
	G10	metropole blue									
	B50	space grey									
10	999 507 764 40	clip		X							
11	996 563 413 00	tool	-04	1							
11	996 563 413 01	tool	05-	1							
12	996 563 561 00	rubber stop		2							
	01C	black for sun visors									
13	999 507 764 40	clip		X							
14	999 507 030 02	speed nut		2							
15	900 151 027 02	washer		2							

Model	Year	MG	SG	Illustration	Restrictions	Update	12:29	25.11.2005	PORSCHE	PET	PORSCHE
996t	05	8	12	812-00		194					

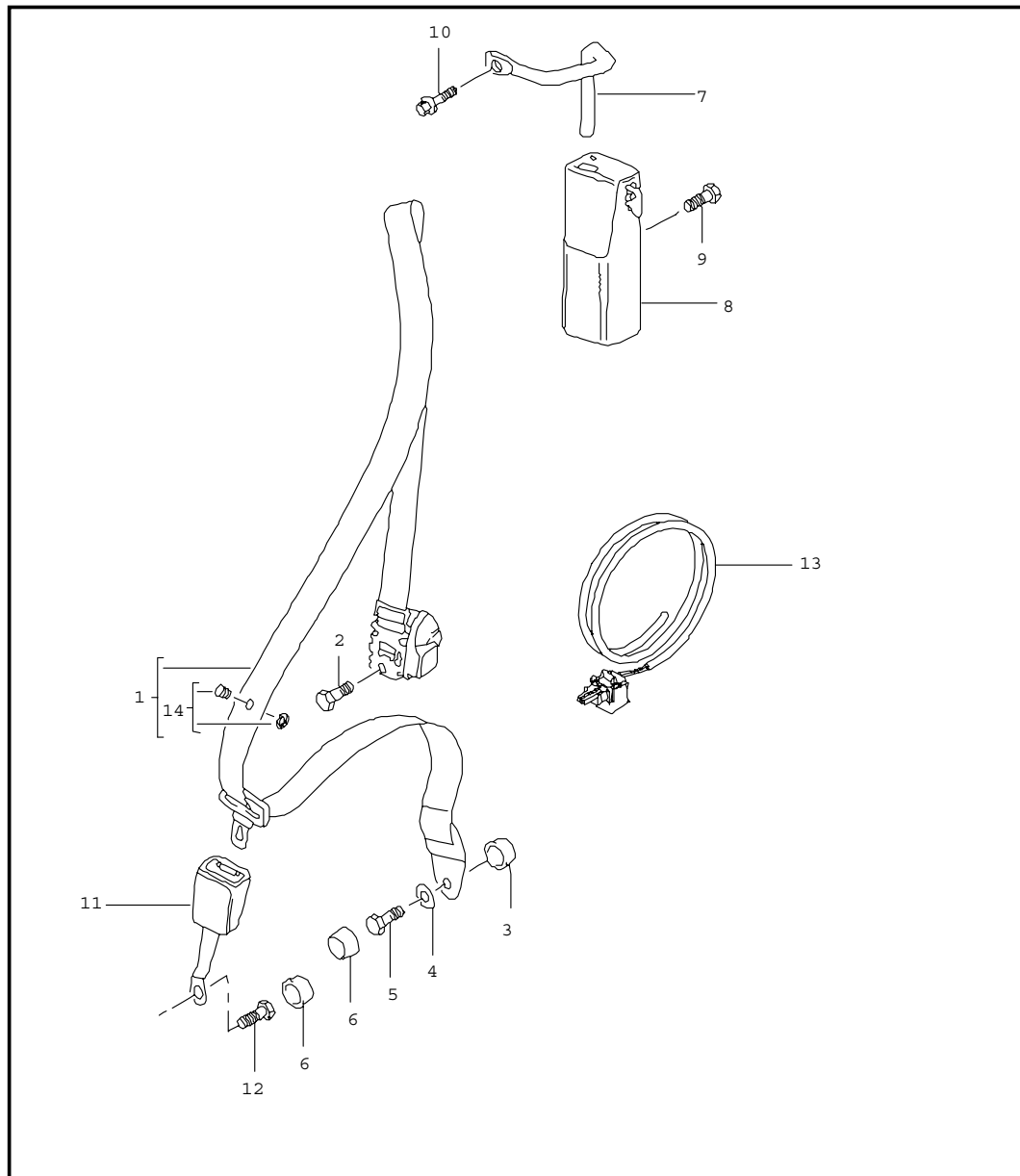


Pos	Part Number	Name	Remarks	Qty	Model
		seat belt front			COUPE
1	996 803 033 04	seat belt	/L -01	1	
1	996 803 033 02	seat belt	/L 02-	1	
1	996 803 981 04	seat belt	/L 02-	1	
	V02	speed yellow			
	H03	maritime blue			
	N13	guards red			
(1)	996 803 034 08	seat belt	/R -01	1	
(1)	996 803 034 04	seat belt	/R 02-	1	
(1)	996 803 034 06	seat belt for child car seat	/R 02-	1	
(1)	996 803 982 06	seat belt	/R 02-	1	
	V02	speed yellow			
	H03	maritime blue			
	N13	guards red			
(1)	996 803 982 08	seat belt for child car seat	/R 02-	1	
	V02	speed yellow			
	H03	maritime blue			
	N13	guards red			
2	911 803 150 00	fastening screw		2	
3	996 803 231 02	height adjustment	00-	2	
4	900 067 131 02	pan-head screw		2	
5	996 803 825 01	relay lever		2	
6	900 378 036 09	hexagon-head bolt		4	
7	996 803 521 00	cover		2	
	01C	black			
8	999 924 064 02	spacer sleeve		2	
9	211 857 771	washer		2	

Model	Year	MG	SG	Illustration	Restrictions	Update	12:29	25.11.2005	PORSCHE	PET	PORSCHE
996t	05	8	12	812-00		194					

Pos	Part Number	Name	Remarks	Qty	Model	Pos	Part Number	Name	Remarks	Qty	Model
10	999 075 073 09	screw		2							
11	811 857 845	cap		2							
	01C	black									
12	996 803 183 04	seat-belt buckle driver's side		1							
12	996 803 183 07	seat-belt buckle driver's side	02-	1							
12	996 803 183 01	seat-belt buckle passenger's side		1							
12	996 803 183 08	seat-belt buckle passenger's side	02-	1							
13	999 218 101 02	fastening screw		2							
15	996 612 991 10	cable	/L	X							
15	996 612 991 00	cable	/R	X							
-- K	996 803 037 90	seat belt 6-point red	/L	1	GT 2						
-- K	996 803 038 90	seat belt 6-point red	/R	1	GT 2						
-- K	996 803 691 9A	fastening screw for 6-point		2							
-- K	996 803 689 9A	spacer sleeve		2							
--	999 028 014 02	washer		2							
-- K	996 803 687 9A	guide sleeve		2							
--	999 025 230 02	washer		2							
-- K	996 580 982 01	roll cage with installation parts		1							
-- K	996 580 995 01	installation parts for roll cage		1							
16	955 803 056 00	knob		2							
	HCP	black									
			- - - E N D - - -								

Model	Year	MG	SG	Illustration	Restrictions	Update	12:29	25.11.2005	PORSCHE	PET	PORSCHE
996t	05	8	12	812-01		194					

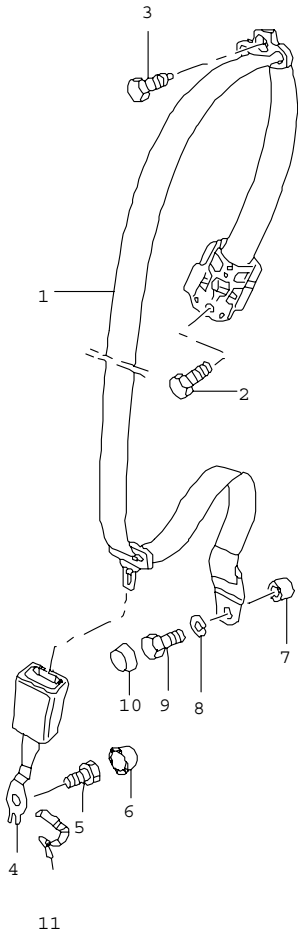


Pos	Part Number	Name	Remarks	Qty	Model
		seat belt front			CABRIO
1	996 803 033 03	seat belt	/L	1	
1	996 803 981 03	seat belt	/L	1	
	V02	speed yellow			
	H03	maritime blue			
	N13	guards red			
(1)	996 803 034 05	seat belt	/R	1	
(1)	996 803 982 07	seat belt	/R	1	
	V02	speed yellow			
	H03	maritime blue			
	N13	guards red			
(1)	996 803 982 09	seat belt for child car seat	/R	1	
	V02	speed yellow			
	H03	maritime blue			
	N13	guards red			
2	911 803 150 00	fastening screw		2	
3	999 924 064 02	spacer sleeve		2	
4	211 857 771	washer		2	
5	803 019 811 B	fastening screw		2	
6	811 857 845	cap		2	
7	996 803 815 00	reverse lever	/L	1	
7	996 803 816 00	reverse lever	/R	1	
8	996 803 581 00	mounting	/L	1	
8	996 803 582 00	mounting	/R	1	
9	900 378 074 09	fastening screw		4	
10	900 378 017 09	fastening screw		2	
11	996 803 183 07	seat-belt buckle driver's side passenger's side		1	

Model	Year	MG	SG	Illustration	Restrictions	Update	12:29	25.11.2005	PORSCHE	PET	PORSCHE
996t	05	8	12	812-01		194					

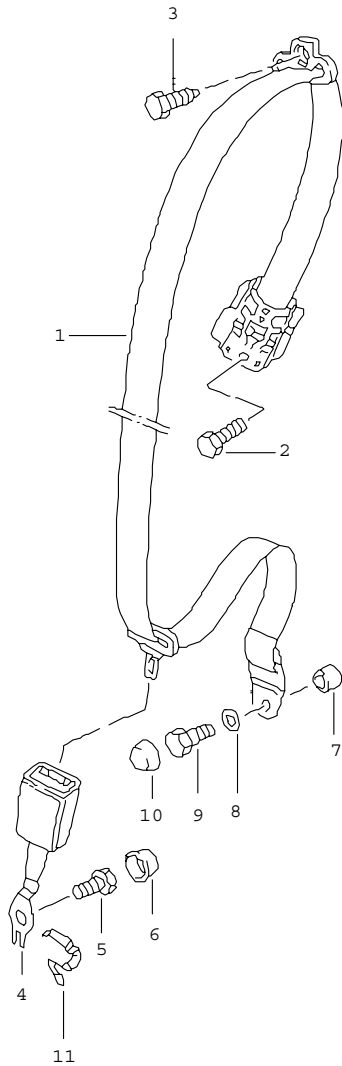
Pos	Part Number	Name	Remarks	Qty	Model	Pos	Part Number	Name	Remarks	Qty	Model
11	996 803 183 08	seat-belt buckle passenger's side		1							
12	999 218 101 02	fastening screw		2							
13	996 612 990 10	cable for seat-belt tensioner		X							
14	955 803 056 00	knob		2							
	HCP	black									
		- - - E N D - - -									

Model	Year	MG	SG	Illustration	Restrictions	Update	12:29	25.11.2005	PORSCHE	PET	PORSCHE
996t	05	8	12	812-05		194					



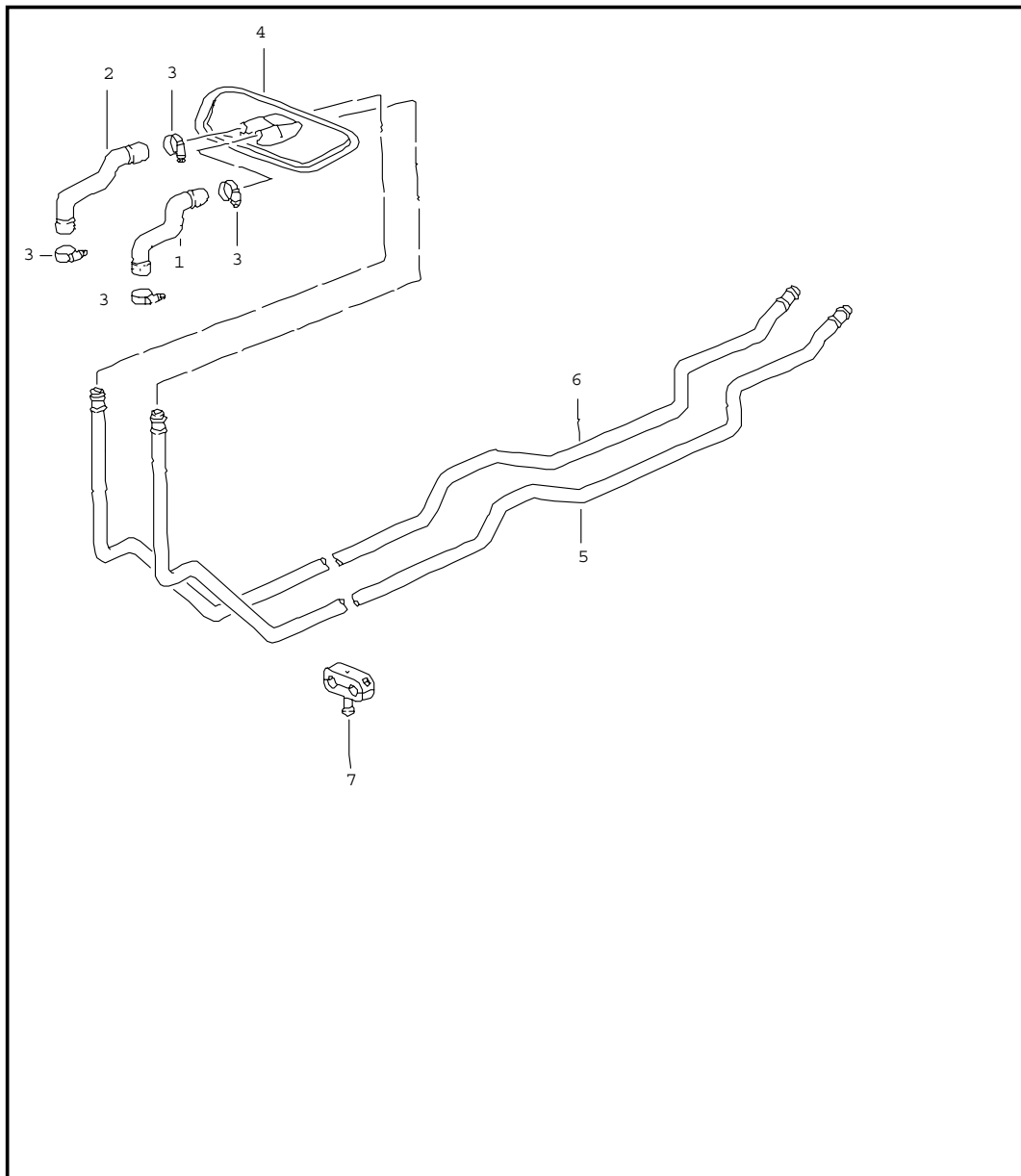
Pos	Part Number	Name	Remarks	Qty	Model
		seat belt rear			COUPE
1	996 803 035 08	seat belt	/L	1	
1	996 803 983 06	seat belt	/L	1	
	V02	speed yellow			
	H03	marine blue			
	N13	guards red			
(1)	996 803 036 08	seat belt	/R	1	
(1)	996 803 984 06	seat belt	/R	1	
	V02	speed yellow			
	H03	marine blue			
	N13	guards red			
2	911 803 150 00	fastening screw		2	
3	999 075 057 09	fastening screw		2	
4	996 803 165 01	seat-belt buckle	/L	1	
(4)	996 803 166 01	seat-belt buckle	/R	1	
5	911 803 150 00	fastening screw		2	
6	811 857 845	cap		2	
7	999 924 064 02	spacer sleeve		2	
8	211 857 771	washer		2	
9	803 019 811 B	screw		2	
10	811 857 845	cap		2	M 193
11	996 551 745 00	clamp	/L	2	
11	996 551 746 00	clamp	/R	2	
- - - E N D - - -					

Model	Year	MG	SG	Illustration	Restrictions	Update	12:29	25.11.2005	PORSCHE	PET	PORSCHE
996t	05	8	12	812-06		194					



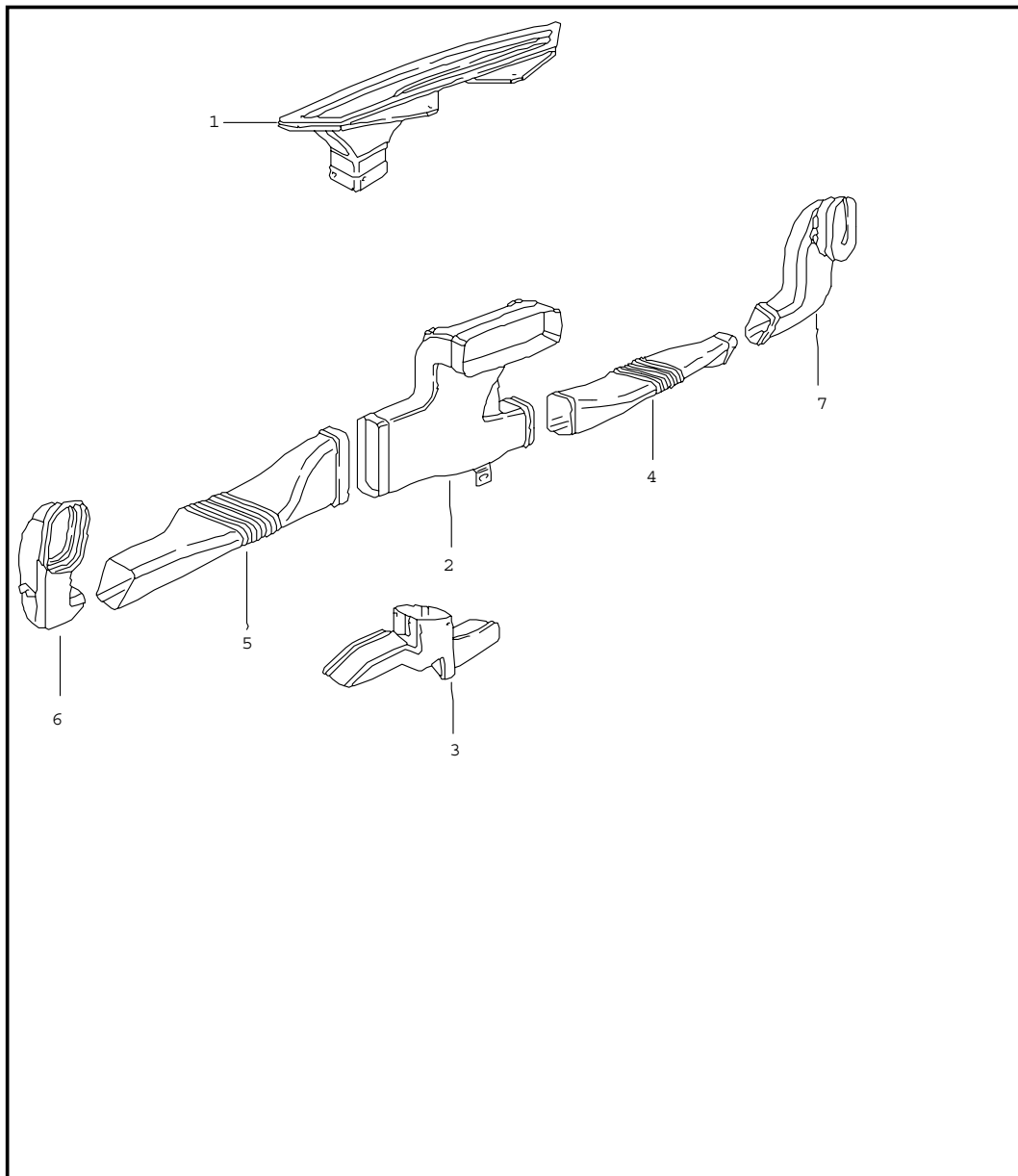
Pos	Part Number	Name	Remarks	Qty	Model
		seat belt rear			TURBO CABRIO
1	996 803 035 06	seat belt	/L	1	CABRIO
1	996 803 983 08	seat belt	/L	1	CABRIO
	V02	speed yellow			
	H03	marine blue			
	N13	guards red			
1	996 803 036 06	seat belt	/R	1	CABRIO
1	996 803 984 08	seat belt	/R	1	CABRIO
	V02	speed yellow			
	H03	marine blue			
	N13	guards red			
2	911 803 150 00	fastening screw		2	CABRIO
3	999 075 057 09	fastening screw		2	
4	996 803 165 01	seat-belt buckle	/L	1	
4	996 803 166 01	seat-belt buckle	/R	1	
5	911 803 150 00	fastening screw		2	
6	811 857 845	cap		2	
7	999 924 064 02	sleeve		2	
8	211 857 771	washer		2	
9	803 019 811 B	fastening screw		2	
10	811 857 845	cap		2	
	01C	black			
11	996 551 745 00	clamp		2	
- - - E N D - - -					

Model	Year	MG	SG	Illustration	Restrictions	Update	12:30	25.11.2005	PORSCHE	PET	PORSCHE
996t	05	8	13	813-00		194					



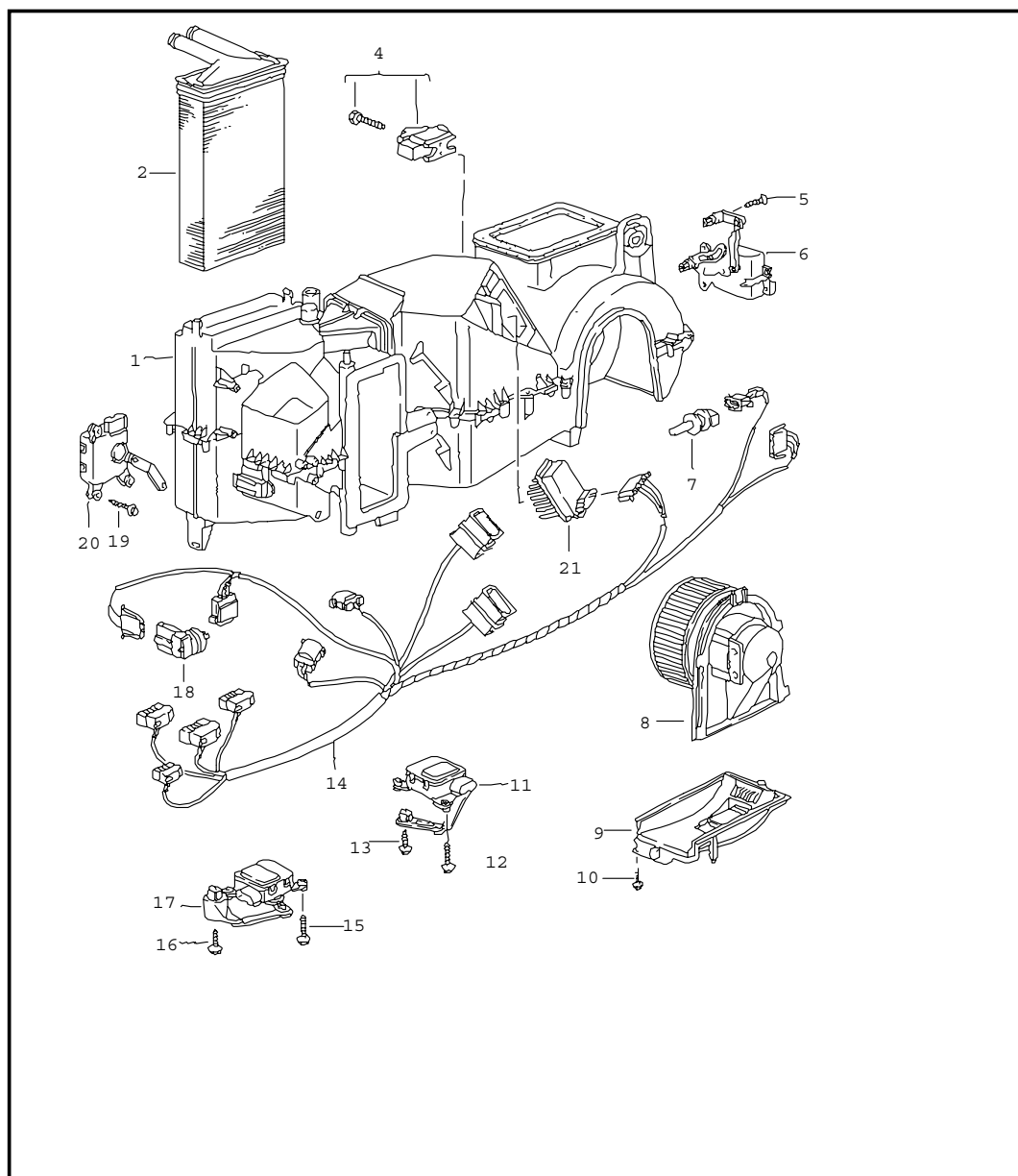
Pos	Part Number	Name	Remarks	Qty	Model
		heating system 1 feed line return line			
1	996 572 583 00	heater hose	/LL	1	
(1)	996 572 583 01	heater hose	/RL	1	
2	996 572 585 00	heater hose	/LL	1	
(2)	996 572 585 01	heater hose	/RL	1	
3	999 512 441 02	clip		4	
4	996 572 263 00	gasket	/LL	1	
(4)	996 572 263 01	gasket	/RL	1	
5	996 572 681 04	hot air duct supply		1	
6	996 572 683 04	hot air duct return		1	
7	999 511 230 40	support		4	
--	999 511 231 41	rubber mounting		4	
		- - - E N D - - -			

Model	Year	MG	SG	Illustration	Restrictions	Update	12:30	25.11.2005	PORSCHE	PET	PORSCHE
996t	05	8	13	813-01		194					



Pos	Part Number	Name	Remarks	Qty	Model
		heating air distributor			
1	996 572 631 00	defroster vent	/LL	1	
(1)	996 572 631 01	defroster vent	/RL	1	
2	996 572 171 00	air distributor	/LL -01	1	
2	996 572 171 04	air distributor	/LL 02-	1	
2	996 572 171 05	air distributor	/LL 03-	1	
(2)	996 572 171 01	air distributor	/RL -01	1	
(2)	996 572 171 05	air distributor	/RL 02-	1	
3	996 572 793 02	footwell outlet vent	/LL	1	
3	996 572 793 04	footwell outlet vent	/LL	1	M680
(3)	996 572 793 01	footwell outlet vent	/RL -02	1	
(3)	996 572 793 05	footwell outlet vent	/RL 03-	1	
(3)	996 572 793 06	footwell outlet vent	/RL 03-	1	M680
4	996 572 464 02	air duct	/LL /R	1	
4	996 572 464 00	air duct	/RL /R-	1	
5	996 572 463 00	air duct	/LL /L	1	
5	996 572 463 02	air duct	/RL /L	1	
6	996 572 767 00	air duct	/LL /L	1	
6	996 572 767 01	air duct	/RL /L	1	
7	996 572 768 00	air duct	/RL /R	1	
(7)	996 572 768 01	air duct	/LL /R	1	
		- - - E N D - - -			

Model	Year	MG	SG	Illustration	Restrictions	Update	12:30	25.11.2005	PORSCHE	PET	PORSCHE
996t	05	8	13	813-05		194					



Pos	Part Number	Name	Remarks	Qty	Model
		air conditioner single parts			M 573
1	996 573 901 02	air conditioner	/LL	1	
1	996 573 901 01	air conditioner without heat exchanger with evaporator	/RL	1	
2	996 572 129 00	heat exchanger		1	
3	--- --- --- --	hexagon-head bolt		2	
4	996 573 929 01	expansion valve		1	
5	900 143 102 02	tapping screw		2	
6	996 573 915 00	electric motor central valve	/LL	1	
6	996 573 915 01	electric motor central valve	/RL	1	
7	1J0 907 543 B	temperature sensor		1	
8	996 624 107 01	blower	/LL	1	
8	996 624 108 01	blower	/RL	1	
9	996 573 905 00	cover		1	
10	900 143 102 02	hexagon-head bolt		1	
11	996 573 919 00	electric motor temperature valve	/LL	1	
11	996 573 919 01	electric motor temperature valve	/RL	1	
12	900 143 102 02	hexagon-head bolt		1	
13	900 143 102 02	hexagon-head bolt		1	
14	996 622 047 00	wiring harness	/LL	1	TURBO
(14)	996 622 048 00	wiring harness	/RL	1	TURBO
15	900 143 102 02	hexagon-head bolt		1	
16	900 143 102 02	hexagon-head bolt		1	
17	996 573 917 00	electric motor defroster flap	/LL	1	
17	996 573 917 01	electric motor defroster flap	/RL	1	

Model	Year	MG	SG	Illustration	Restrictions	Update	12:30	25.11.2005	PORSCHE	PET	PORSCHE
996t	05	8	13	813-05		194					

Pos	Part Number	Name	Remarks	Qty	Model	Pos	Part Number	Name	Remarks	Qty	Model
18	1H0 907 543 A	temperature sensor		1							
19	900 143 102 02	hexagon-head bolt		1							
20	996 573 921 00	electric motor air flow sensor plate	/LL	1							
20	996 573 921 01	electric motor air flow sensor plate	/RL	1							
21	996 573 923 00	resistor		1							
--	996 573 925 00	intake air temper. sensor		1							
--	996 573 927 00	blower outlet sensor		1							
--	996 572 511 02	sound absorber	/LL -02	1							
--	996 572 511 04	sound absorber	/LL 03-	1							
--	996 572 511 03	sound absorber	/RL -02	1							
--	996 572 511 05	sound absorber	/RL 03-	1							
		- - - E N D - - -									

PORSCHE

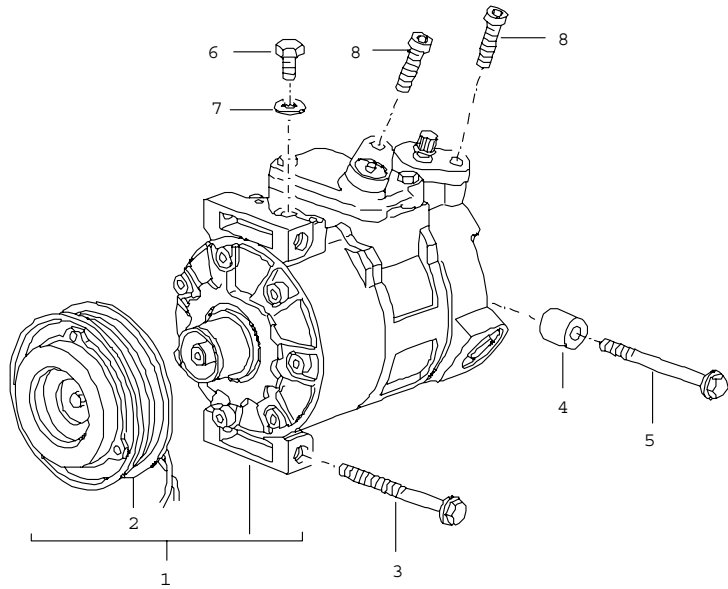
PET

PORSCHE

Model	Year	MG	SG	Illustration	Restrictions	Update	12:30	25.11.2005
996t	05	8	13	813-10		194		

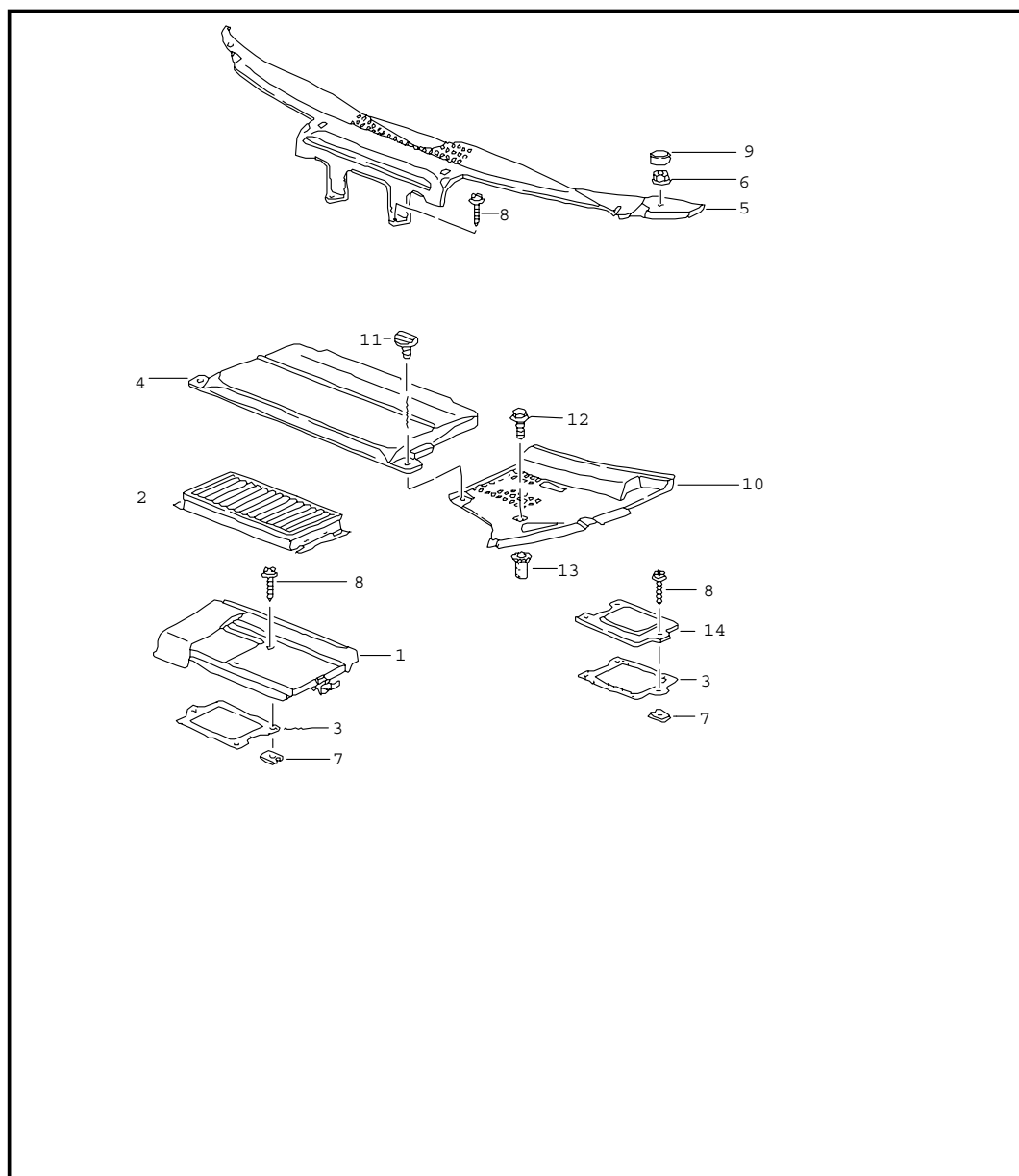
Pos	Part Number	Name	Remarks	Qty	Model
		water drain tube mount sound absorber heater air conditioner			
1	996 504 643 00	water drain tube		1	
2	996 504 644 00	water drain tube		1	
3	996 504 645 00	grommet		1	
4	996 504 646 00	grommet		1	
5	999 513 049 40	tie-wrap		1	
6	999 702 156 40	grommet		1	
--	996 573 797 02	connecting piece		1	
--	996 573 795 01	grommet		1	
--	996 573 793 01	water drain tube		1	
--	996 573 794 01	water drain tube		1	
--	996 504 649 00	grommet		2	
		- - - E N D - - -			

Model	Year	MG	SG	Illustration	Restrictions	Update	12:30	25.11.2005	PORSCHE	PET	PORSCHE
996t	05	8	13	813-15		194					



Pos	Part Number	Name	Remarks	Qty	Model
		compressor			
1	996 126 011 52	compressor		1	
2	996 573 926 00	magnetic clutch		1	
3	900 378 075 09	hexagon-head bolt M 8X90		1	
4	996 126 102 71	spacer sleeve		1	
5	900 378 136 09	hexagon-head bolt M 8X120		1	
6	996 573 926 01	hexagon-head bolt		1	
7	996 573 926 02	sealing ring		1	
8	900 067 252 02	hexagon socket head bolt		2	
		- - - E N D - - -			

Model	Year	MG	SG	Illustration	Restrictions	Update	12:31	25.11.2005	PORSCHE	PET	PORSCHE
996t	05	8	13	813-20		194					

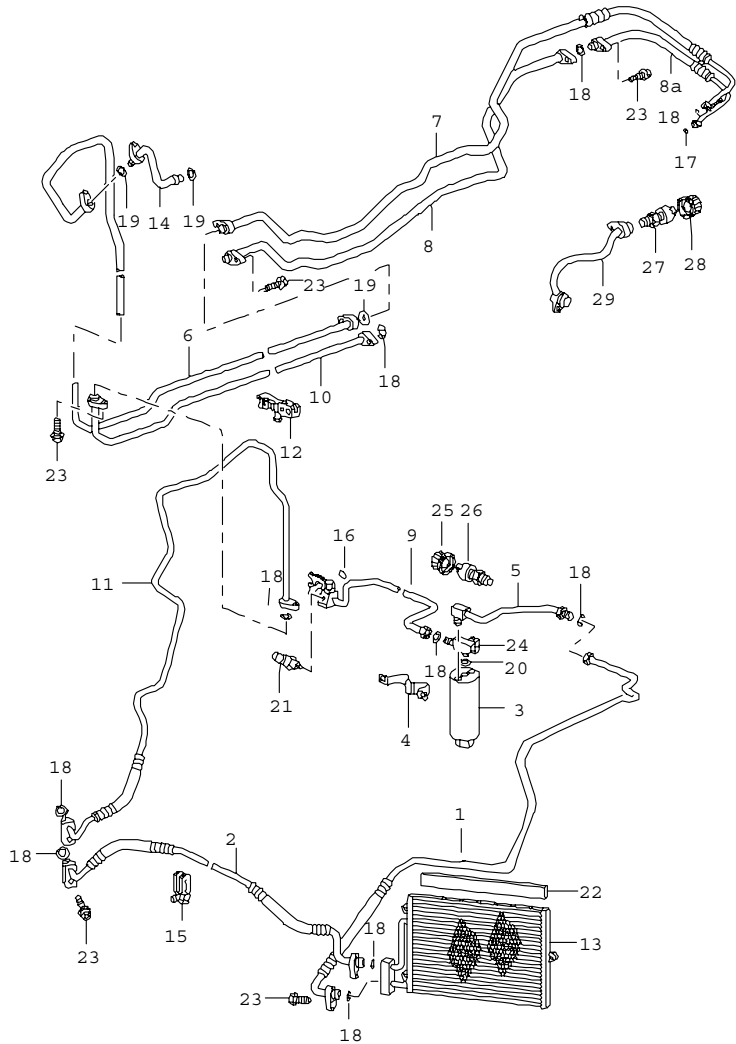


Pos	Part Number	Name	Remarks	Qty	Model
		particle filter cowl panel covering			
1	996 572 019 02	housing	/LL	1	
1	996 572 019 03	housing	/RL	1	
2	996 572 219 02	particle filter		1	
2	996 571 219 03	particle filter		1	M 571
3	996 572 221 01	gasket		1	
4	996 572 567 01	cover		1	
	01C	black battery			
(4)	996 572 729 00	cover particle filter	/LL	1	
(4)	996 572 729 02	cover particle filter	/RL	1	
5	996 572 563 06	cowl panel covering	/LL	1	
	01C	black use also:			
-	996 572 931 00	gasket		1	
5	996 572 563 07	cowl panel covering	/RL	1	
	01C	black use also:			
-	996 572 931 00	gasket		1	
6	999 049 008 40	plastic nut		2	
7	999 591 722 02	speed nut		3	
8	999 073 142 09	combination tapping screw		3	
(9)	996 572 569 01	cap	/L	1	
	01C	black			
(9)	996 572 570 01	cap	/R	1	
	01C	black			
10	996 572 561 02	cover	/L	1	
	01C	black			

Model	Year	MG	SG	Illustration	Restrictions	Update	12:31	25.11.2005	PORSCHE	PET	PORSCHE
996t	05	8	13	813-20		194					

Pos	Part Number	Name	Remarks	Qty	Model	Pos	Part Number	Name	Remarks	Qty	Model
(10)	996 572 562 02	cover	/R	1							
	01C	black									
11	999 590 045 40	screw plug		X							
12	999 073 143 09	oval-head screw		2							
13	999 500 092 00	nut		2							
14	996 572 719 01	cover		2							
		- - - E N D - - -									

Model	Year	MG	SG	Illustration	Restrictions	Update	12:31	25.11.2005	PORSCHE	PET	PORSCHE
996t	05	8	13	813-25		194					

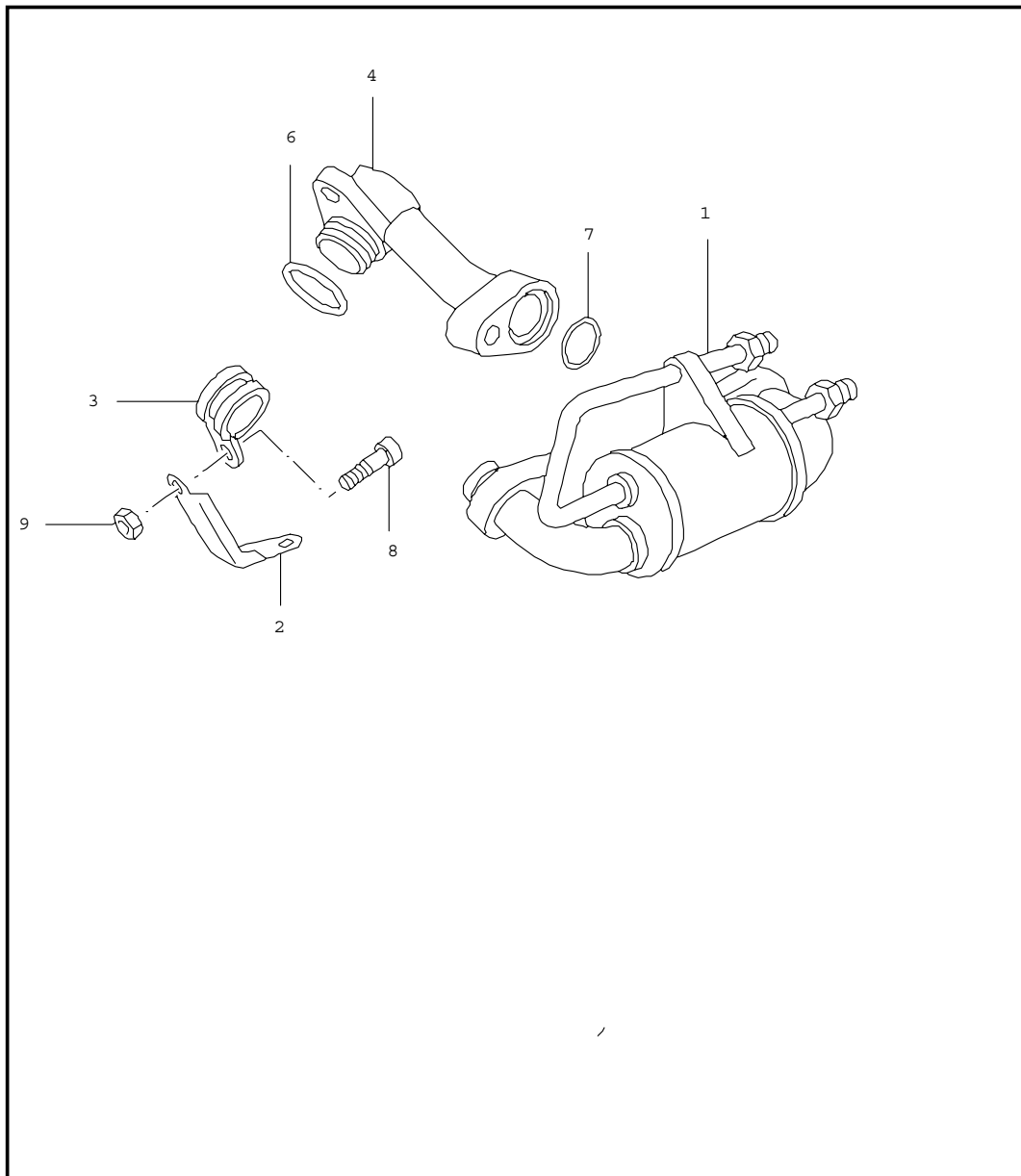


Pos	Part Number	Name	Remarks	Qty	Model
		refrigerant circuit			
1	996 573 105 04	refrigerant line		1	
2	996 573 104 03	refrigerant line		1	
3	944 573 143 01	desiccator		1	
4	996 573 451 00	support		1	
5	996 573 106 00	refrigerant line		1	
6	996 573 091 01	refrigerant line		1	
7	996 573 095 04	refrigerant line		1	
8	996 573 096 03	refrigerant line		1	
8A	996 573 097 03	refrigerant line		1	
9	996 573 108 01	pressure line	/RL	1	
(9)	996 573 108 03	pressure line	/LL	1	
10	996 573 092 01	pressure line		1	
11	996 573 094 03	refrigerant line		1	
12	996 347 543 00	cable holder		2	
13	996 573 111 02	condenser		2	
14	996 573 093 02	intake pipe	/LL	1	
14	996 573 093 03	intake pipe	/RL	1	
15	999 511 230 40	cable holder		2	
--	999 511 231 41	rubber mounting		2	
16	999 707 247 40	o-ring 7,5X2		2	
17	999 707 382 40	o-ring 23,8X2,4		8	
18	999 707 250 40	o-ring 10,6X2		8	
19	999 707 252 40	o-ring 17X2		3	
20	999 707 262 40	o-ring 6,7X1,8		X	
21	964 613 137 01	pressure switch		1	
22	996 573 711 00	cover strip		2	

Model	Year	MG	SG	Illustration	Restrictions	Update	12:31	25.11.2005	PORSCHE	PET	PORSCHE
996t	05	8	13	813-25		194					

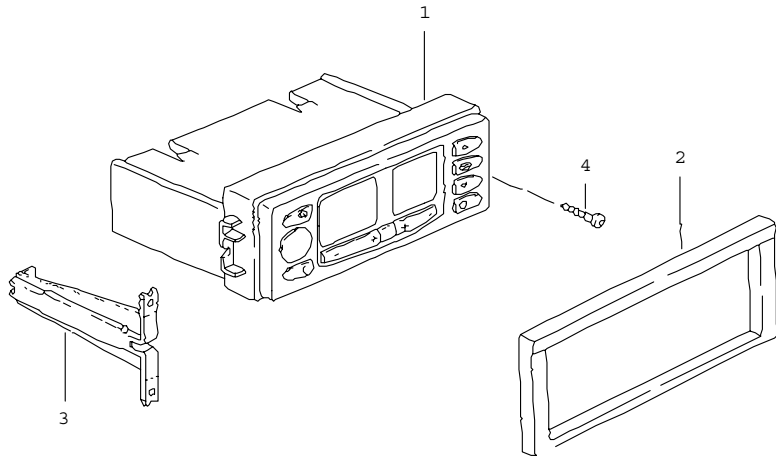
Pos	Part Number	Name	Remarks	Qty	Model	Pos	Part Number	Name	Remarks	Qty	Model
(22)	996 573 711 01	frame		2							
23	900 067 247 02	screw		X							
24	993 573 243 00	distributing piece		1							
25	944 573 663 02	valve cap		1							
26	996 573 466 00	valve		1							
27	996 573 465 00	valve		1							
28	944 573 663 01	valve cap		1							
29	996 573 099 06	intake pipe		1							
		- - - E N D - - -									

Model	Year	MG	SG	Illustration	Restrictions	Update	12:31	25.11.2005	PORSCHE	PET	PORSCHE
996t	05	8	13	813-26		194					



Pos	Part Number	Name	Remarks	Qty	Model
		fuel cooler			
1	996 573 069 02	fuel cooler		1	
2	996 573 231 00	support		1	
3	999 511 066 02	clip		1	
4	996 573 099 03	intake pipe		1	
5	996 573 107 00	intake pipe		1	
6	999 707 382 40	o-ring		X	
7	999 707 252 40	o-ring		X	
8	900 067 089 02	pan-head screw		1	
9	900 076 010 02	hexagon nut		1	
		- - - E N D - - -			

Model	Year	MG	SG	Illustration	Restrictions	Update	12:31	25.11.2005	PORSCHE	PET	PORSCHE
996t	05	8	13	813-45		194					

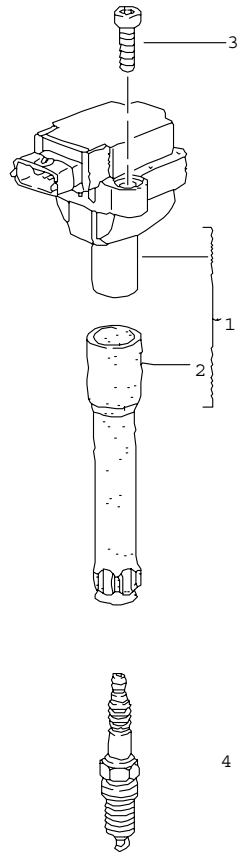


Pos	Part Number	Name	Remarks	Qty	Model
		control switch			
1	996 653 101 03	control part	-01	1	M 573
	EFR	black			
1 A	996 653 101 06	control part	02	1	M 573
	EFR	black mat			
1	996 653 101 09	control part	02	1	M 573
	EFR	black mat			
1	996 653 101 08	control part	02-	1	
	EFR	gloss black			
1	996 653 101 10	control part	03-	1	M 573
	FFA	black mat			
2	996 552 677 00	cover	-01	1	M 573
	01C	black			
2	996 552 677 01	cover	02-	1	
	01C	black			
(2)	996 552 339 00	cover		1	M 573/662
	01C	black			
--	191 853 615 A	grommet for POS.4		X	
3	996 573 501 00	adapter		2	
4	900 143 076 09	tapping screw		X	
		- - - E N D - - -			

Model	Year	MG	SG	Illustration	Restrictions	Update	14:01	28.11.2005
996t	05	8	98	REP		194		

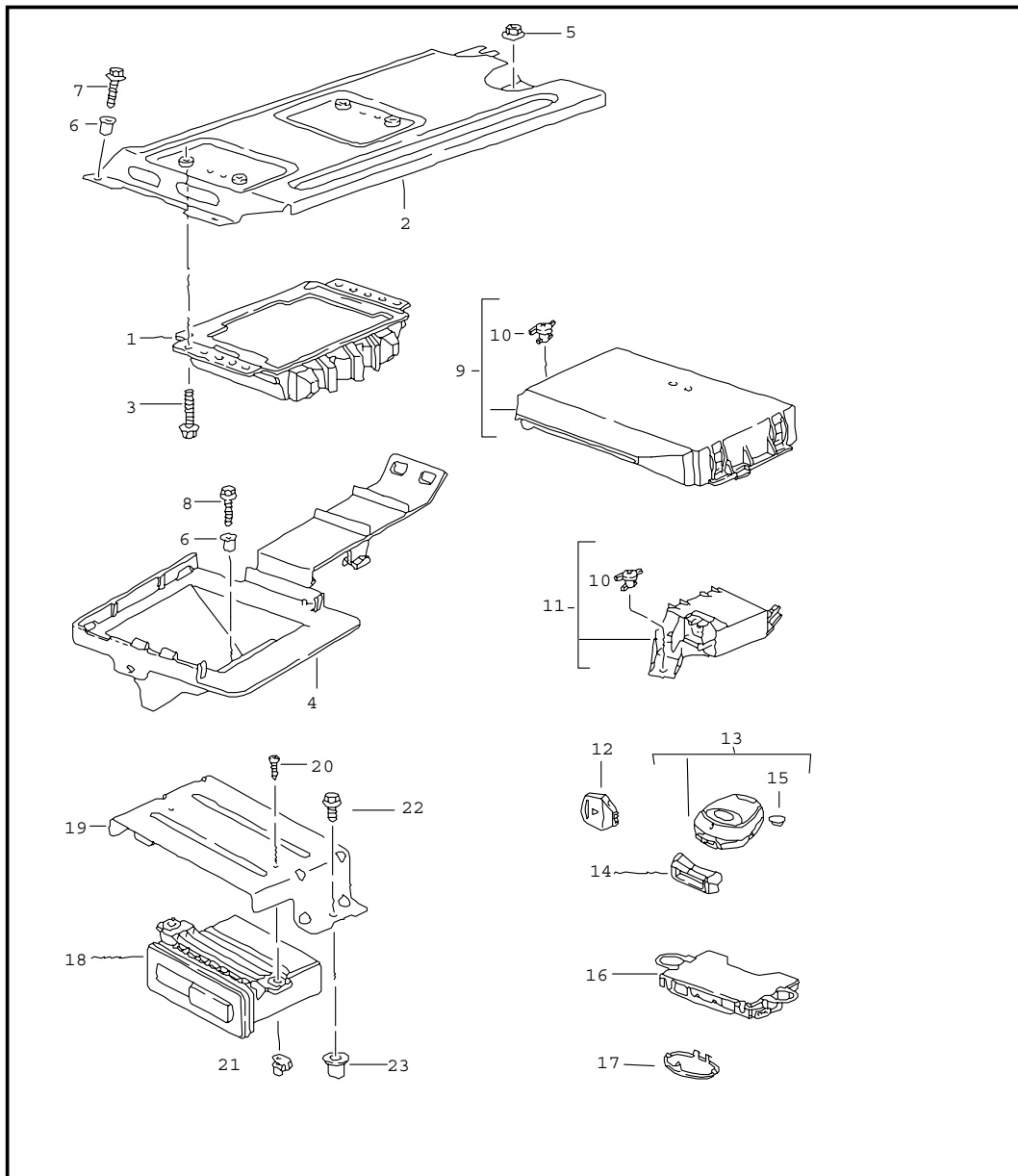
Pos	Part Number	Name	Remarks	Qty	Model
		repair kits			
		set of locks			
>>	> 996 538 001 03	set of locks	-01	1	M 531.532
>>	> 996 538 001 06	set of locks	02-	1	M 531.532
>>	> 996 538 001 04	set of locks	/LL -01	1	M 534,535
>>	> 996 538 001 07	set of locks	/LL 02-	1	M 534,535
>>	> 996 538 001 05	set of locks	/RL -01	1	M 534,535
>>	> 996 538 001 08	set of locks	/RL 02-	1	M 534,535
		- - - E N D - - -			

Model	Year	MG	SG	Illustration	Restrictions	Update	12:31	25.11.2005	PORSCHE	PET	PORSCHE
996t	05	9	01	901-00		194					



Pos	Part Number	Name	Remarks	Qty	Model
		ignition system			
1	996 602 104 00	ignition coil		6	
2	996 602 105 00	spark plug socket		6	
3	900 067 089 09	pan-head screw M 6 X 25		12	
4	999 170 195 90	spark plug 14FR 6LDU electronic mail GR.2 , NR.7/01		6	
		- - - E N D - - -			

Model	Year	MG	SG	Illustration	Restrictions	Update	12:32	25.11.2005	PORSCHE	PET	PORSCHE
996t	05	9	01	901-03		194					



Pos	Part Number	Name	Remarks	Qty	Model
		control units			
1	996 618 606 01	control unit - dme - see technical manual OBD II ; 0-8 S.1		1	
(1)	996 618 180 04	control unit tiptronic see technical information GR. 3 , NR. 5/02		1	M 249
2	996 618 129 00	support control unit - dme - F >>991S6 81183		1	COUPE
(2)	996 618 129 01	support control unit - dme - F 991S6 81184>>		1	COUPE
(2)	996 618 131 00	support control unit - dme -	04-	2	CABRIO
3	900 378 036 09	hexagon-head bolt M 6 X 12		4	COUPE
4	996 618 257 00	support control unit tiptronic F >>994S6 70743	-04	1	M 249
(4)	996 618 257 01	support control unit tiptronic F 994S6 70744>>	04-	1	M 249
5	999 084 629 09	hexagon nut M 6		1	COUPE
6	999 500 078 00	sheetmetal press nut M 6 F >>991S6 81183		2	COUPE M 480
				3	COUPE M 249
6	999 500 078 00	sheetmetal press nut M 6 F 991S6 81184>>		1	M 249
7	900 075 413 09	screw M 6 X 16 Z2 F >>991S6 81183		2	COUPE
(7)	999 084 629 09	hexagon nut M 6 F 991S6 81184>> F 991S6 85747>>		2	COUPE

Model	Year	MG	SG	Illustration	Restrictions	Update	12:32	25.11.2005	PORSCHE	PET	PORSCHE
996t	05	9	01	901-03		194					

Pos	Part Number	Name	Remarks	Qty	Model	Pos	Part Number	Name	Remarks	Qty	Model
(7)	999 073 060 02	tapping screw 4,8 X 13	04-	X	CABRIO	-	928 537 630 02	bulb for key lamp		X	
		control unit folding top control see group 8/11/15			CABRIO	13 U	996 637 244 30	remote control	-03	1	COUPE M 534
		control unit roll-over bar see group 8/11/15			CABRIO	13	996 637 244 40	remote control	04-	1	COUPE M 534 CABRIO M 533 M 534
8	900 146 040 02	screw M 6 X 25		1	M 249	-	996 637 353 00	remote control upper part for 996.637.244.30/40		1	
9	996 618 262 02	control unit anti-drive-off feature central locking system alarm system		1	M 534	13	996 637 244 41	remote control	04-	1	CABRIO M 534
-	996 612 034 00	cable antenna for POS. 9		1	M 534	-	996 637 355 00	remote control upper part for 996.637.244.41	04-	1	
9	996 618 262 03	control unit anti-drive-off feature central locking system alarm system see technical information GR.9 NR.6/01		1	M 535	13 A	996 637 244 31	remote control	04-	1	COUPE M 535 CABRIO M 533 M 535
-	996 612 035 00	cable antenna for POS. 9		1	M 535	13	996 637 244 42	remote control	04-	1	COUPE M 535 CABRIO M 533 M 535
-	996 612 054 00	connecting line antenna booster control unit POS. 9	03-	1	M 665	-	996 637 353 00	remote control upper part for 996.637.244.31/36/42	04-	1	
-	999 607 064 00	fuse 15 A for POS. 8		X		13 U	996 637 244 32	remote control	-03	1	COUPE (J)
-	999 507 925 40	fixing clip for wiring harness seat		1		13	996 637 244 44	remote control		1	COUPE (J)
-	999 507 925 40	fixing clip for wiring harness seat		1		-	996 637 353 00	remote control upper part for 996.637.244.32/44		1	
10	996 618 261 00	locking device		1		13	996 637 244 45	remote control	04-	1	CABRIO (J)
11	996 618 159 01	signal transducer		1		-	996 637 355 00	remote control upper part for 996.637.244.45	04-	1	
12	996 637 041 00	key lamp		1	M 532						

Model	Year	MG	SG	Illustration	Restrictions	Update	12:32	25.11.2005	PORSCHE	PET	PORSCHE
996t	05	9	01	901-03		194					

Pos	Part Number	Name	Remarks	Qty	Model	Pos	Part Number	Name	Remarks	Qty	Model
-	996 637 443 00	emblem coloured for key lamp and remote control	02-	1		23	999 500 078 00	sheetmetal press nut M 6 sensor see group 8/02/05		2	M 635
14	996 637 344 00	identification ring key 1 set red yellow		1				- - - E N D - - -			
14	996 637 344 01	identification ring key 1 set blue green		1							
15	999 611 108 00	battery see technical information GR. 9 , NR. 17/03		1	M 534,M 535						
16	996 618 210 02	sensor interior monitoring		1	M 534,M 535						
16	996 618 210 03	sensor interior monitoring		1	M 534,M 535, M 999						
(17)	996 618 212 02	trim alarm siren tilt sensor see group 9/03/00		2	M 536 M 536						
18 A	996 618 171 02	control unit park distance control	-03	1	M 635						
18	996 618 171 03	control unit park distance control		1	M 635						
19	996 618 371 00	support	01	1	M 635						
(19)	996 618 371 01	support	02-	1	M 635						
20	999 919 120 09	oval-head screw 4,0 X 18		2	M 635						
21	999 920 015 40	special nut 4,0		2	M 635						
22	900 378 179 09	hexagon-head bolt M 6 X 16		2	M 635						

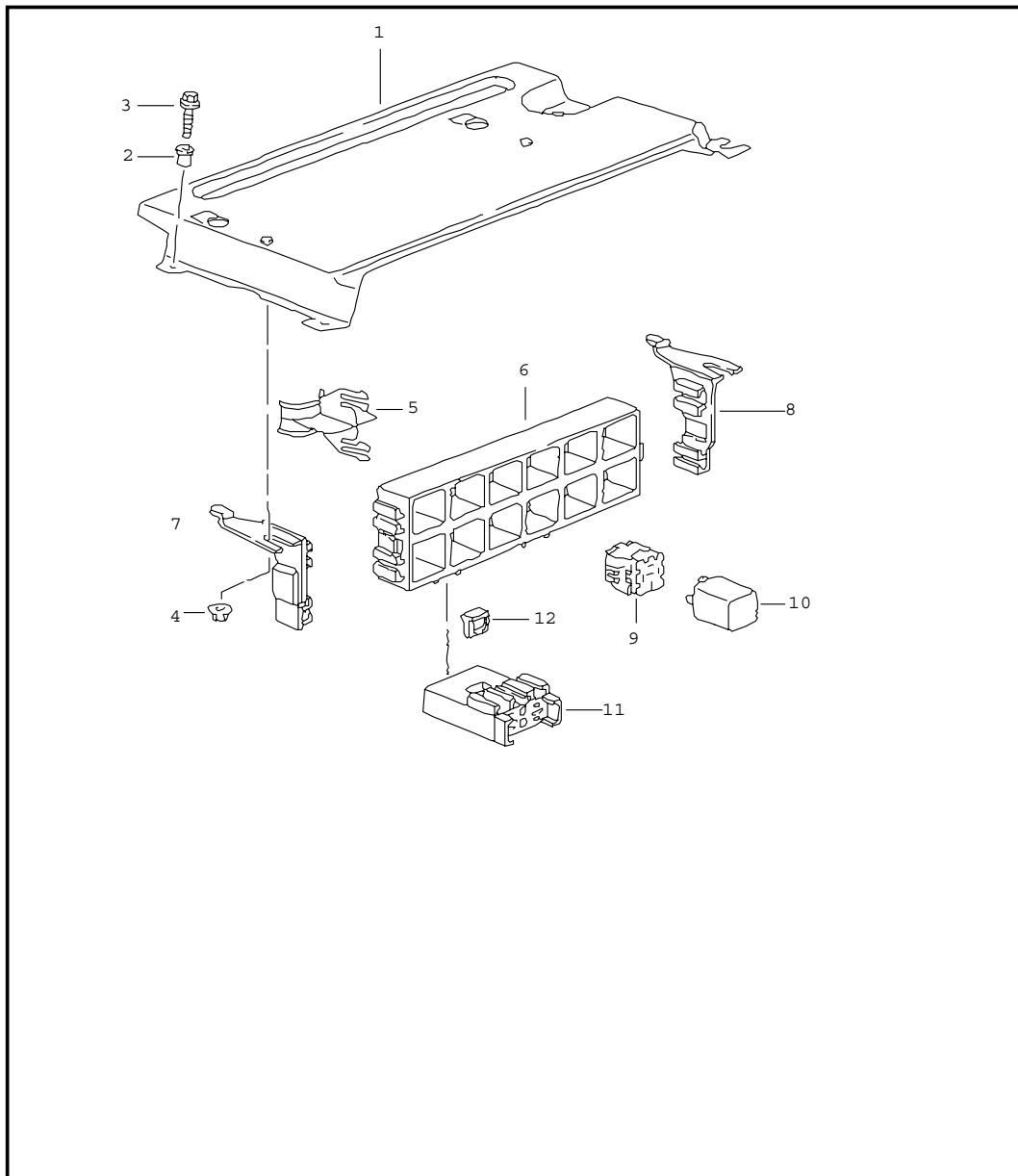
Model	Year	MG	SG	Illustration	Restrictions	Update	12:32	25.11.2005	PORSCHE	PET	PORSCHE
996t	05	9	02	902-00		194					

Pos	Part Number	Name	Remarks	Qty	Model
		central electrical system dashboard			
1	996 610 117 00	support	/LL/L	1	
(1)	996 610 119 00	support	/RL/L	1	
2	900 378 155 09	hexagon-head bolt M 6 X 16 ASP		1	
3	996 610 104 00	retaining frame		X	
4	996 610 112 00	cable holder		X	
5	996 610 109 00	relay carrier support frame		1	
6	900 378 155 09	hexagon-head bolt M 6 X 16 ASP		2	
7	996 610 116 00	support	/LL/R	1	
(7)	996 610 118 00	support	/RL/R	1	
8	900 377 010 09	hexagon nut M 6		1	
9	928 610 511 00	relay carrier		X	
10	-	relay			
S 1	141 951 253 B	relay radiator fan 1 setting 3		1	
S 2	141 951 253 B	relay radiator fan 2 setting 3		1	
S 3	1H0 953 227	flasher relay		1	
S 4	996 615 117 00	control unit rear window heating		1	
S6/7	996 615 111 00	relay		1	M 606
S 8	996 618 113 00	relay headlight washer system		1	M 288
S 9	141 951 253 B	relay KL. XE		1	
S 10	141 951 253 B	relay fanfare		1	
S 12	141 951 253 B	relay		1	(J)

Model	Year	MG	SG	Illustration	Restrictions	Update	12:32	25.11.2005	PORSCHE	PET	PORSCHE
996t	05	9	02	902-00		194					

Pos	Part Number	Name	Remarks	Qty	Model	Pos	Part Number	Name	Remarks	Qty	Model
S 13	996 615 101 00	relay fuel pump		1		17	996 610 214 00	tool		X	
S 16	996 615 103 00	interval relay		1		-	996 610 217 04	indication sticker fuse	-02	X	
S 18	141 951 253 B	relay heating		1		-	996 610 217 05	indication sticker fuse	03-	X	
S 19	141 951 253 B	relay radiator fan 1 setting 1		1				emergency operation cover			
S 20	141 951 253 B	relay radiator fan 1 setting2		1		18	996 610 240 00	terminal clamp		1	
S 21	141 951 253 B	relay radiator fan 2 setting 1		1		19	999 657 006 90	relay		1	
S 22	141 951 253 B	relay radiator fan 2 setting2		1		20	999 650 538 40	plug socket 5-pole		1	
11	996 610 210 00	cover		1		-	-	cover rear spoiler see group 9 / 03 / 05		X	
13	996 610 211 01	bracket		1		-	-	cover for housing fuse see group 8 / 07 / 02			
14	999 650 209 40	fuse holder		X		21	999 650 319 22	contact bridge 4-pole		X	
15	999 650 210 40	slide		X		(21)	999 650 318 22	contact bridge 8-pole		X	
16	999 607 004 00	fuse 5 A		X		22	999 650 317 40	plug socket 8-pole		X	
(16) A	999 607 005 00	fuse 7 , 5 A		X		23	999 650 320 22	contact bush 2,8 / 0,75		X	
(16)	999 607 083 00	fuse 7 , 5 A		X		(23)	999 650 321 22	contact bush 2,8 / 2,5		X	
(16)	999 607 007 00	fuse 15 A		X				- - - E N D - - -			
(16) A	999 607 009 00	fuse 25 A		X							
(16)	999 607 087 00	fuse 25 A		X							
(16)	999 607 010 00	fuse 30 A		X							
(16) A	999 607 017 00	fuse 40 A		X							
(16)	999 607 089 00	fuse 40 A		X							

Model	Year	MG	SG	Illustration	Restrictions	Update	12:32	25.11.2005	PORSCHE	PET	PORSCHE
996t	05	9	02	902-01		194					

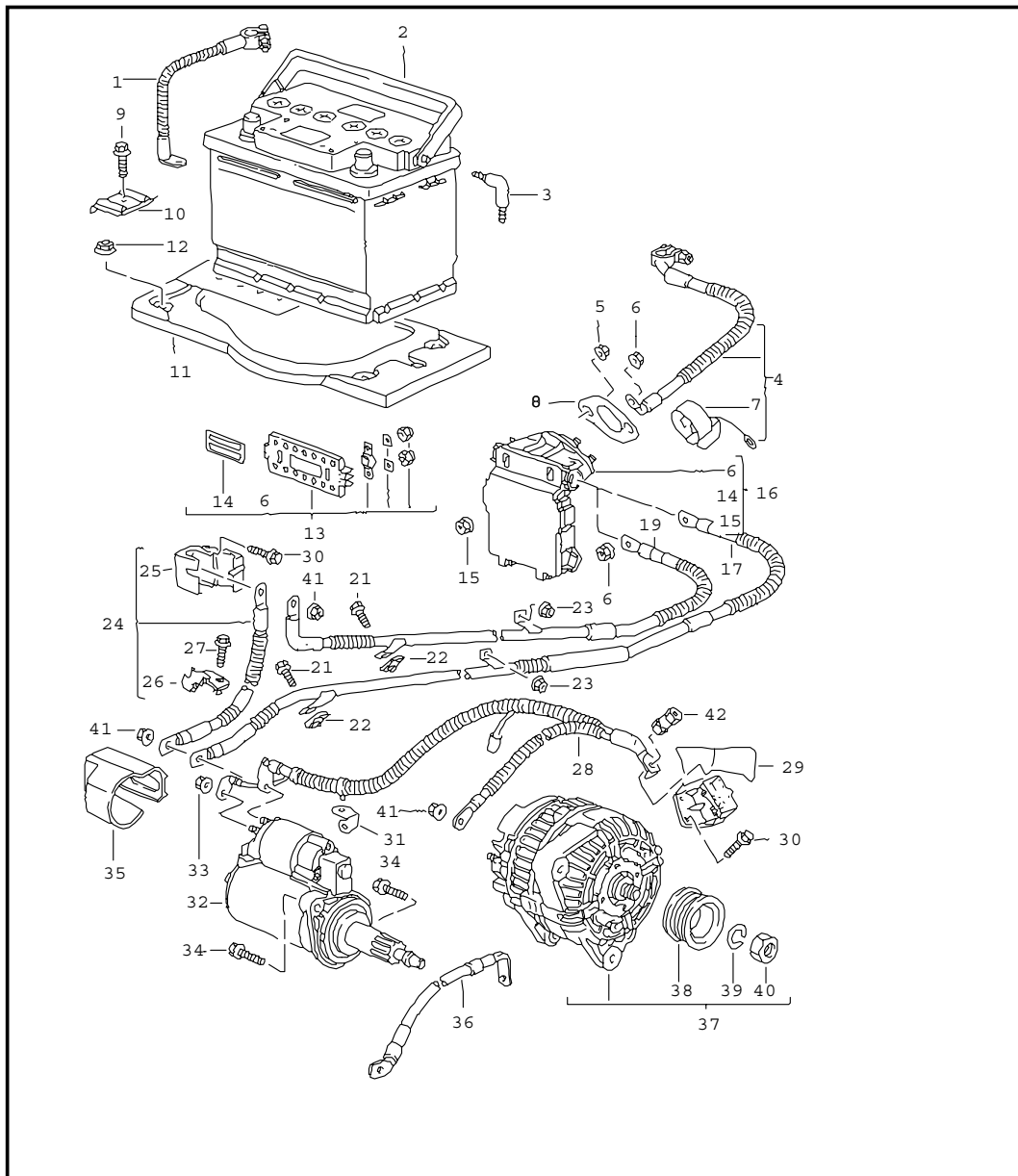


Pos	Part Number	Name	Remarks	Qty	Model
		central electrical system rear end			
1	996 610 129 00	plate F >>991S6 81183		1	COUPE
1 A	996 610 129 01	plate F 991S6 81184>>	-03	1	COUPE
1	996 610 129 02	plate F 991S6 81184>>995S6 80459	01-05	1	COUPE
(1)	996 610 229 03	plate F 995S6 80460>>	05-	1	COUPE
2	999 500 078 00	nut F >>991S6 81183		2	COUPE
3	900 075 413 09	screw M 6 X 16 Z2 F >>991S6 81183		2	COUPE
(3)	999 084 629 09	hexagon nut M 6 F 991S6 81184>>		2	
4	900 380 015 09	hexagon nut M 6 F >>995S6 80459		2	
6	996 610 111 00	relay carrier support frame		1	
7	996 610 126 00	support F >>995S6 80459	/R	1	
(7)	987 610 118 00	support F 995S6 80460>>	/R	1	
8	996 610 127 00	support F >>995S6 80459	/L	1	
(8)	987 610 117 00	support F 995S6 80460>>	/L	1	
-	996 610 128 00	fixing clip	04-	2	CABRIO
9	928 610 511 00	relay carrier		X	
10	-	relay			
S 1	141 951 253 B	relay - dme -		1	
S 2	141 951 253 B	relay ignition		1	

Model	Year	MG	SG	Illustration	Restrictions	Update	12:32	25.11.2005	PORSCHE	PET	PORSCHE
996t	05	9	02	902-01		194					

Pos	Part Number	Name	Remarks	Qty	Model	Pos	Part Number	Name	Remarks	Qty	Model
S 3	996 615 102 00	relay spoiler		1							
S 4	964 615 215 00	relay air conditioner		1	M 573						
S 5	996 615 112 00	relay rear window heating	04-	1	CABRIO						
S 7	141 951 253 B	relay starter		1							
S 8	141 951 253 B	relay blower engine compartment		1							
S 9	996 615 122 00	relay spoiler only together with driving mechanism spoiler 996.512.241.01 see tpi GR.9 , NR. 21	01	1							
S 9	996 615 102 00	relay spoiler	02-	1							
S 10	993 615 115 00	relay secondary pump		1	M 661						
11	999 650 193 40	fuse holder		1	M 661						
12	999 650 371 40	locking device		1	M 661						
-	999 650 194 22	contact bush		X	M 661						
- A	999 607 011 00	fuse 40 A		1	M 661						
-	999 607 073 00	fuse 40 A		1							
		- - - E N D - - -									

Model	Year	MG	SG	Illustration	Restrictions	Update	12:32	25.11.2005	PORSCHE	PET	PORSCHE
996t	05	9	02	902-05		194					



Pos	Part Number	Name	Remarks	Qty	Model
		battery power distributor starter generator battery main switch			GT2 M 003
1	A 996 611 090 02	ground strap	/LL -03	1	
1	996 611 090 06	ground strap	/LL -03	1	
1	996 611 090 08	ground strap	/LL 04-	1	
(1)	A 996 611 091 01	ground strap	/RL -03	1	
(1)	996 611 091 05	ground strap	/RL -03	1	
(1)	996 611 091 06	ground strap	/RL 04-	1	
2	999 611 080 20	battery 80 AH		1	
2	999 611 070 20	battery 70 AH		1	GT2
3	893 915 507	angled pipe		1	
4	A 996 612 090 00	cable battery power distributor	/LL -03	1	
4	A 996 612 090 05	cable battery power distributor	/LL 04	1	
4	996 612 090 09	cable battery power distributor	/LL	1	
(4)	A 996 612 090 01	cable battery power distributor	/RL -03	1	
(4)	A 996 612 090 06	cable battery power distributor	/RL 04	1	
(4)	996 612 090 10	cable battery power distributor	/RL	1	
5	900 380 005 09	hexagon nut VM 8		2	
6	900 084 030 02	hexagon nut M 8 for power distributor		2	

Model	Year	MG	SG	Illustration	Restrictions	Update	12:32	25.11.2005	PORSCHE	PET	PORSCHE
996t	05	9	02	902-05		194					

Pos	Part Number	Name	Remarks	Qty	Model	Pos	Part Number	Name	Remarks	Qty	Model
7	996 610 309 00	protection cap terminal clamp power distributor		1		16	996 610 308 00	repair kit replacement power distributor comprising:		1	
8	996 610 302 00	flange gasket for power distributor		1		-	-	power distributor complete		1	
9	900 378 017 09	hexagon-head bolt M 8 X 20		1		15	900 084 031 02	hexagon nut M 6		7	
10	996 611 209 00	rail		1		6	900 084 030 02	hexagon nut M 8		2	
(11)	996 504 151 02	carrier plate for battery		1		14	996 610 311 00	seal label red use also: POS. 8		2	
(11) A	996 504 151 03	carrier plate for battery	/RL	1							
-	996 504 622 01	gasket carrier plate for battery		1							
12	999 084 630 09	hexagon nut VM 8 SB		4		17	996 612 041 01	cable power distributor starter	/LL	1	M 480
13	996 610 306 00	repair kit replacement fuse element comprising:		1		(17)	996 612 043 00	cable power distributor starter	/RL	1	M 480
-	-	fuse element 50 AMPERE		1		19	996 612 042 01	cable power distributor connection point	/LL	1	M 249
-	-	fuse element 80 AMPERE		1		(19)	996 612 044 00	cable power distributor connection point	/RL	1	M 249
-	-	hexagon nut M 5		4				when required order also:			
6	900 084 030 02	hexagon nut M 8		1		-	996 610 187 00	cable holder		1	
-	-	intermediate layer		4		-	999 919 172 09	hexagon-head bolt 7,0 X 14		1	
-	-	cover blue		1		21	900 075 497 02	hexagon-head bolt M 5 X 10 Z2		1	
14	996 610 311 00	seal label red		2		22	999 507 702 02	speed nut M 5		1	
14	996 610 311 00	seal label red		2		23	900 377 010 09	hexagon nut M 6		1	
15	900 084 031 02	hexagon nut M 6 for power distributor		7		24	996 607 033 02	wiring harness with connection point starter		1	M 249
						25	986 611 201 01	connection point complete		1	M 249

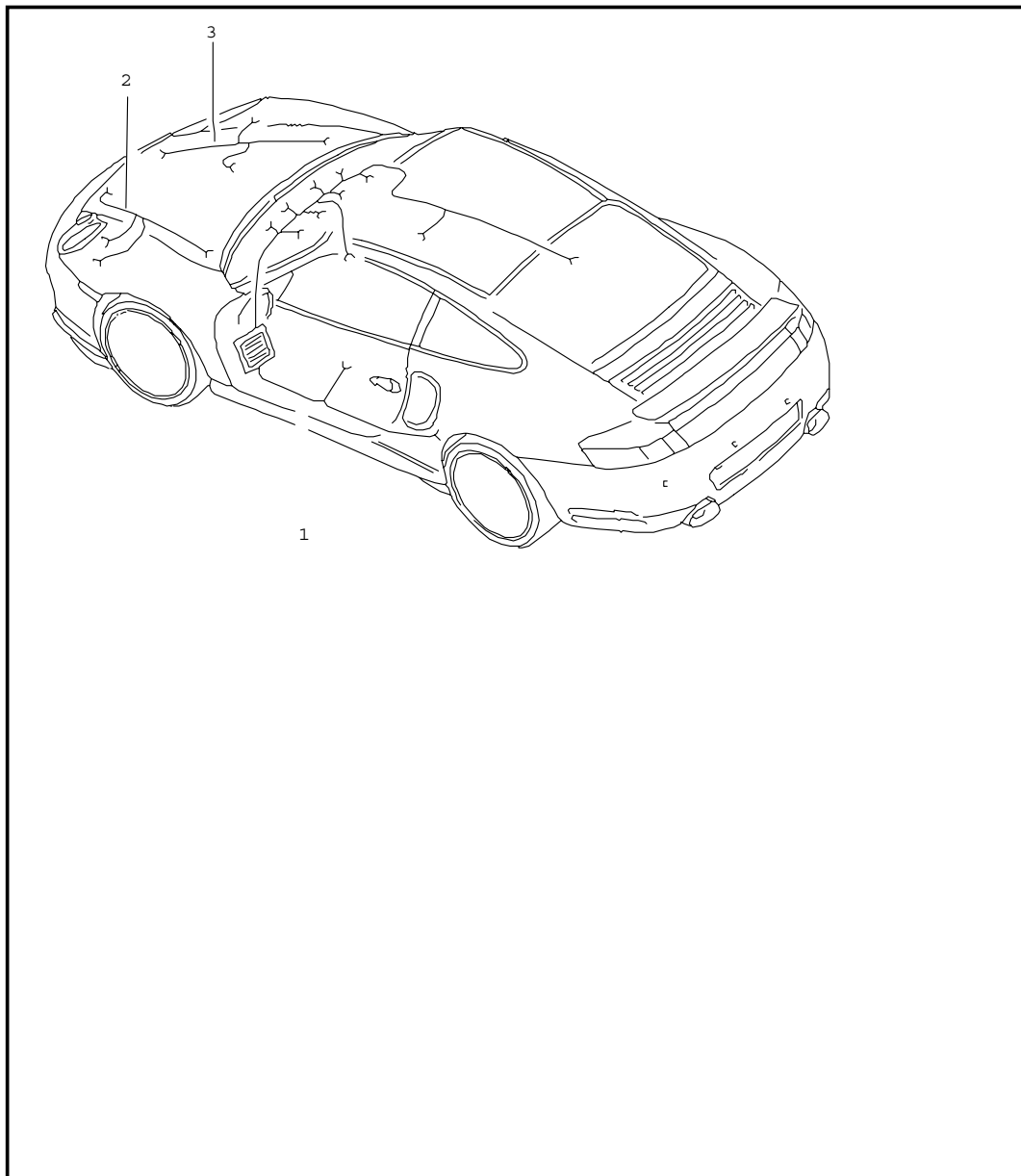
Model	Year	MG	SG	Illustration	Restrictions	Update	12:32	25.11.2005	PORSCHE	PET	PORSCHE
996t	05	9	02	902-05		194					

Pos	Part Number	Name	Remarks	Qty	Model	Pos	Part Number	Name	Remarks	Qty	Model
26	996 607 115 00	support		2	M 249	-	996 603 153 50	protection cap for pulley with free wheel lock		1	M 480
27	999 919 046 02	hexagon-head bolt M 5 X 16		2	M 249						
(28)	996 607 031 04	wiring harness		1	M 480	39	N 012 016 1	lock ring B 16		1	
28	996 607 032 04	wiring harness with connection point generator starter		1	M 249	40	900 034 013 02	hexagon nut M 16 X 1,5		1	
29	996 611 202 00	connection point complete		1		-	996 603 113 00	protection cap for POS. 40		1	M 249
30	900 378 035 09	hexagon-head bolt M 6 X 16		2	M 480			mounting parts regulator generator			
31	996 607 042 00	support		1	M 249						
32	> 996 604 107 00	starter		1		-	000 043 204 22	oval-head screw M 4 X 19 micro-self-locking		2	
33	900 377 010 09	hexagon nut M 6		1		-	000 043 204 23	spring washer B4		2	
34	900 378 101 09	hexagon-head bolt AM 10 X 35		2				mounting parts generator			
35	996 604 118 00	protection cap		1	M 480	-	900 378 167 09	hexagon-head bolt M 10 X 110		1	
(35)	996 604 117 00	protection cap starter		1	M 249	-	900 378 098 09	hexagon-head bolt AM 10X 60		1	
36	996 607 034 01	ground strap engine body		1		41	900 377 003 02	hexagon nut M 8		3	
37	> 997 603 012 00	generator with pulley without free wheel lock		1	M 249	42	999 076 069 02	hexagon nut M 8		1	
(37)	> 997 603 012 01	generator with pulley free wheel lock		1	M 480	-	K 996 612 921 70	assembly kit battery main switch comprising:		1	GT2 M 003/ M 581
38	996 603 151 55	pulley without free wheel lock		1	M 249	-	K 996 612 227 70	battery main switch		1	
(38)	996 603 152 50	pulley with free wheel lock use also: 996.603.153.50		1	M 480	-	K 996 613 185 70	switch inner complete with trim for switch		1	
						-	900 378 074 09	hexagon-head bolt M 8 X 16		1	

Model	Year	MG	SG	Illustration	Restrictions	Update	12:32	25.11.2005	PORSCHE	PET	PORSCHE
996t	05	9	02	902-05		194					

Pos	Part Number	Name	Remarks	Qty	Model	Pos	Part Number	Name	Remarks	Qty	Model
-	900 075 459 09	screw M 6 X 12		1							
-	K 996 612 921 75	assembly kit battery main switch comprising:		1	GT2 M 003						
-	K 996 612 227 70	battery main switch		1							
-	K 996 613 185 75	switch inner complete with trim for switch		1							
-	900 378 074 09	hexagon-head bolt M 8 X 16		1							
-	900 075 459 09	screw M 6 X 12		1							
-	K 996 613 183 70	rocker switch outer complete with cover		1	GT2 M 003						
-	K 996 613 261 80	rocker switch outer		1	GT2 M 003						
-	K 996 612 393 90	cable battery main switch power distributor		1	GT2 M 003						
		- - - E N D - - -									

Model	Year	MG	SG	Illustration	Restrictions	Update	12:33	25.11.2005	PORSCHE	PET	PORSCHE
996t	05	9	02	902-10		194					

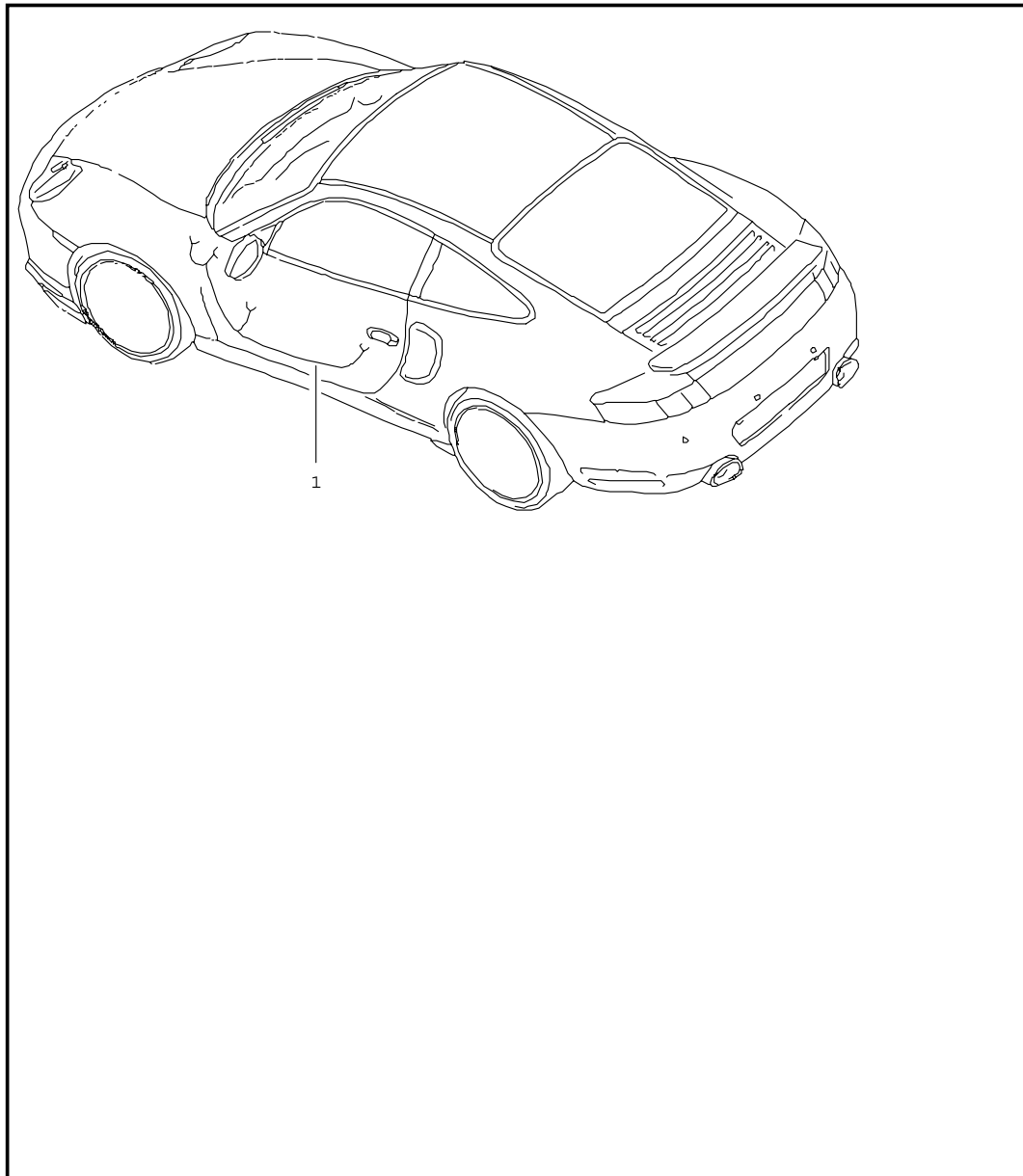


Pos	Part Number	Name	Remarks	Qty	Model
		harnesses passenger compartment glove compartment front trunk repair kit anti-lock brake system brake pad wear indicator front axle			
1	996 622 903 00	wiring harness passenger compartment vehicle identification no. indicate		1	
-	996 622 501 00	wiring harness glove compartment	02-	1	
-	999 650 564 40	support microswitch	02-	1	
-	999 650 565 40	support connector housing	02-	1	
2	996 622 313 00	wiring harness front trunk	/L 01	1	
2	996 622 313 15	wiring harness front trunk	/L 02	1	
3	996 622 312 00	wiring harness front trunk	/R 01	1	
3	-	wiring harness front trunk is a component of wiring harness passenger compartment	/R 02-	1	
-	996 612 957 00	repair kit wiring harness	/V/L	1	
-	996 612 957 70	repair kit wiring harness	/V/L	1	GT2
-	996 612 958 00	repair kit wiring harness	/V/R	1	
-	996 612 958 70	repair kit wiring harness	/V/R	1	GT2

Model	Year	MG	SG	Illustration	Restrictions	Update	12:33	25.11.2005	PORSCHE	PET	PORSCHE
996t	05	9	02	902-10		194					

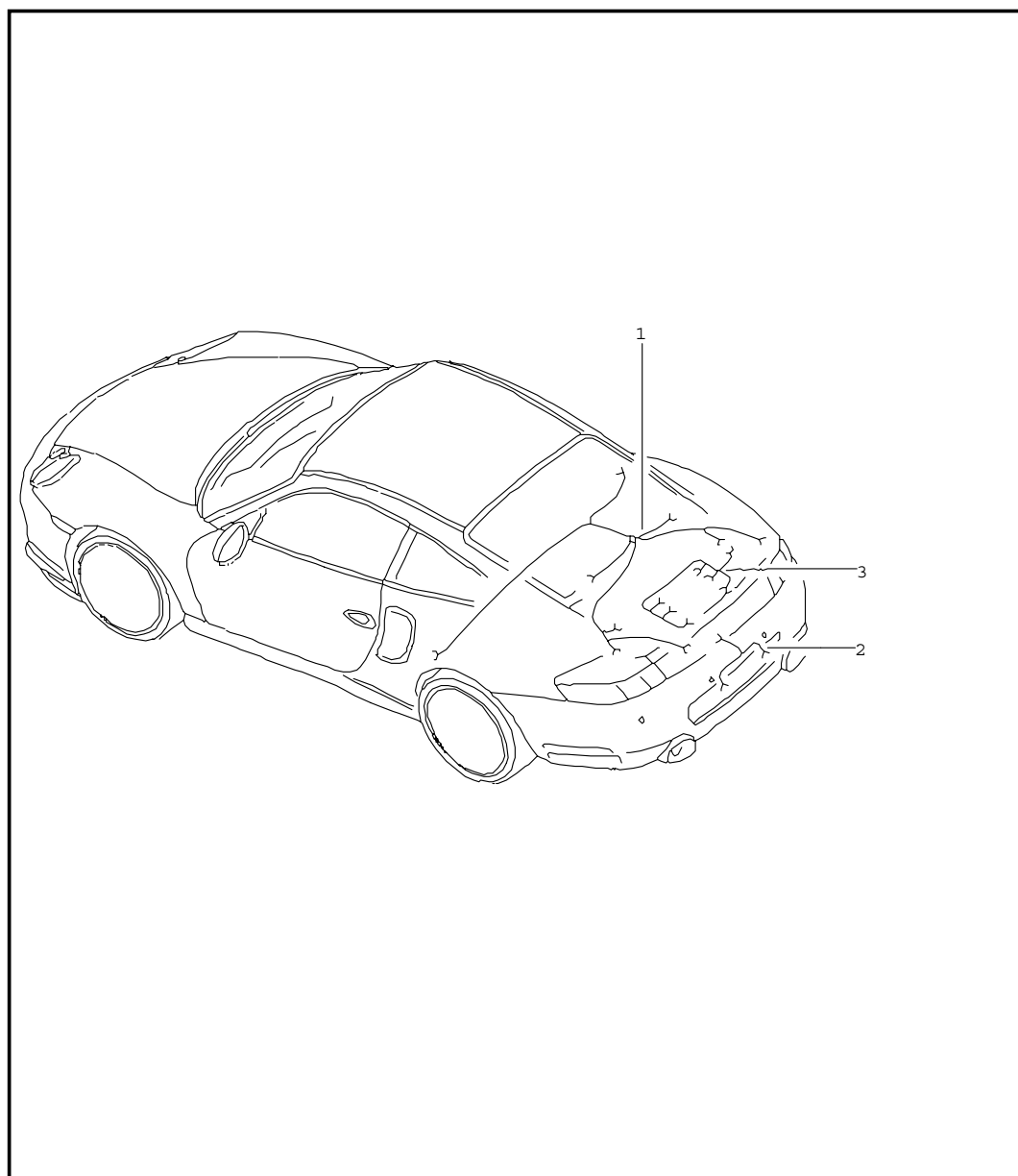
Pos	Part Number	Name	Remarks	Qty	Model	Pos	Part Number	Name	Remarks	Qty	Model
		repair kit wiring harness rear axle see group 9 / 02 / 20 - - - E N D - - -									

Model	Year	MG	SG	Illustration	Restrictions	Update	12:33	25.11.2005	PORSCHE	PET	PORSCHE
996t	05	9	02	902-15		194					



Pos	Part Number	Name	Remarks	Qty	Model
		harnesses driver's door passenger's door folding top control auxiliary support			CABRIO CABRIO
1	A 996 612 634 10	wiring harness driver's door	-03	1	
1	996 612 634 11	wiring harness driver's door		1	
(1)	A 996 612 635 10	wiring harness passenger's door	-03	1	
(1)	996 612 635 11	wiring harness passenger's door		1	
		mount wiring harness doors			
-	999 703 470 40	cable clamp		2	M 273
-	999 507 627 02	cable clamp		2	
-	996 610 141 01	rubber boot a-pillar		2	
-	996 610 144 00	frame reinforcement rubber boot a-pillar		2	
-	996 610 321 00	cable holder door arrester		2	
-	-	wiring harness folding top control see group 8/11/07	04-	1	CABRIO
-	-	wiring harness auxiliary support see group 8/11/15	04-	1	CABRIO
		- - - E N D - - -			

Model	Year	MG	SG	Illustration	Restrictions	Update	12:33	25.11.2005	PORSCHE	PET	PORSCHE
996t	05	9	02	902-20		194					



Pos	Part Number	Name	Remarks	Qty	Model
		harnesses rear end additional stoplamp rear lid license plate light engine transmission repair kit anti-lock brake system brake pad wear indicator rear axle			CABRIO M 249
1	996 622 905 00	wiring harness rear end vehicle identification no. indicate		1	
-	996 612 507 02	wiring harness additional stoplamp	04-	1	CABRIO M 602
-	996 423 101 00	protective tube for wiring harness	04-	1	CABRIO M 602
-	996 612 070 30	wiring harness rear lid		1	XAF
-	996 612 070 70	wiring harness rear lid		1	GT2
2	996 612 060 00	wiring harness license plate light		1	
(2)	996 612 063 00	wiring harness license plate light		1	M 635
-	999 650 013 40	fixing clip connection point wiring harness license plate light		1	
3	996 607 015 03	wiring harness engine	-02	1	
3 A	996 607 015 04	wiring harness engine	03	1	
3	996 607 015 05	wiring harness engine	03-	1	
-	996 607 121 00	cable guide	/L	1	
-	996 607 122 00	cable guide	/R	1	
- A	996 607 101 01	support connection point wiring harness engine	-03	1	

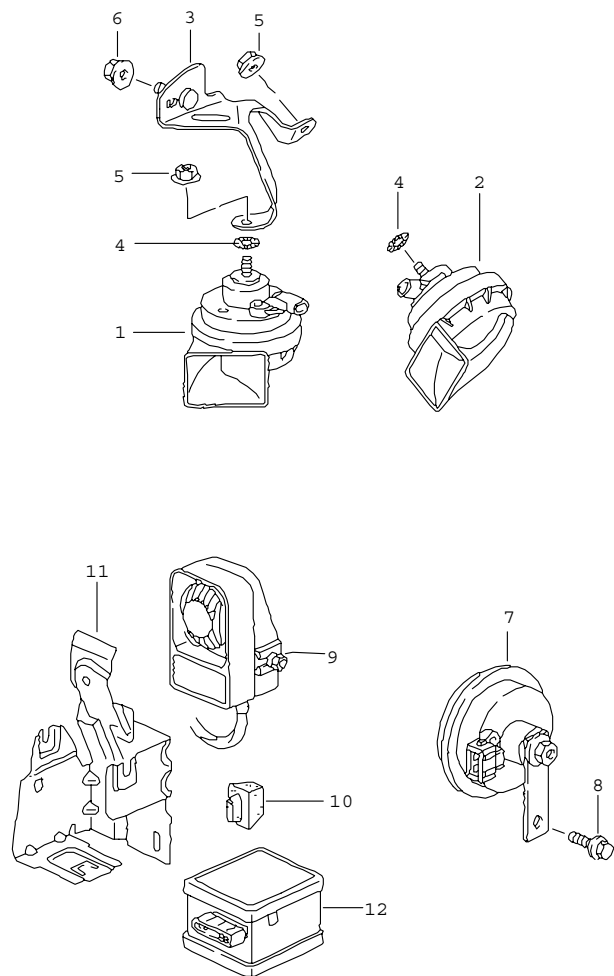
Model	Year	MG	SG	Illustration	Restrictions	Update	12:33	25.11.2005	PORSCHE	PET	PORSCHE
996t	05	9	02	902-20		194					

Pos	Part Number	Name	Remarks	Qty	Model	Pos	Part Number	Name	Remarks	Qty	Model
-	996 607 101 02	support connection point wiring harness engine		1							
(3)	996 612 401 00	wiring harness transmission		1	M 249						
-	999 507 752 40	cable holder for wiring harness transmission		1	M 249						
-	999 591 746 02	cable holder for wiring harness transmission		3	M 249						
(3)	996 612 401 70	wiring harness transmission cooling repair kit wiring harness anti-lock brake system brake pad wear indicator rear axle		1	GT2						
-	996 612 953 01	repair kit wiring harness	/H/L	1							
-	996 612 954 01	repair kit wiring harness repair kit wiring harness front axle see group 9 / 20 / 10 - - - E N D - - -	/H/R	1							

Model	Year	MG	SG	Illustration	Restrictions	Update	12:33	25.11.2005
996t	05	9	02	902-50		194		

Pos	Part Number	Name	Remarks	Qty	Model
		optical waveguide	03-		
-	996 622 701 00	optical waveguide module	/LL	1	M 680
-	996 622 721 00	optical waveguide module	/RL	1	M 680
-	996 622 702 00	optical waveguide module	/LL 04-	1	GT2 M 666
-	996 622 722 00	optical waveguide module	/RL 04-	1	GT2 M 666
-	996 622 707 00	optical waveguide module	/LL	1	M 666/M 680
-	996 622 727 00	optical waveguide module	/RL	1	M 666/M 680
-	996 622 708 00	optical waveguide module	/LL	1	M 680/M 692
-	996 622 728 00	optical waveguide module	/RL	1	M 680/M 692
-	996 622 729 00	optical waveguide module	/LL 04-	1	GT2 M 692
-	996 622 709 00	optical waveguide module	/LL 04-	1	GT2 M 692
-	996 622 718 00	optical waveguide module	/LL	1	M 666/M 680/ M 692
-	996 622 738 00	optical waveguide module	/RL	1	M 666/M 680/ M 692
-	996 622 739 00	optical waveguide module	/LL 04-	1	GT2 M 666/ M 692
-	996 622 719 00	optical waveguide module	/RL 04-	1	GT2 M 666/ M 692
-	996 610 122 00	support connection point luggage compartment		1	
-	999 507 804 40	expander nut for support		1	
-	996 610 132 00	cable guide t-piece luggage compartment		1	
		- - - E N D - - -			

Model	Year	MG	SG	Illustration	Restrictions	Update	12:33	25.11.2005	PORSCHE	PET	PORSCHE
996t	05	9	03	903-00		194					

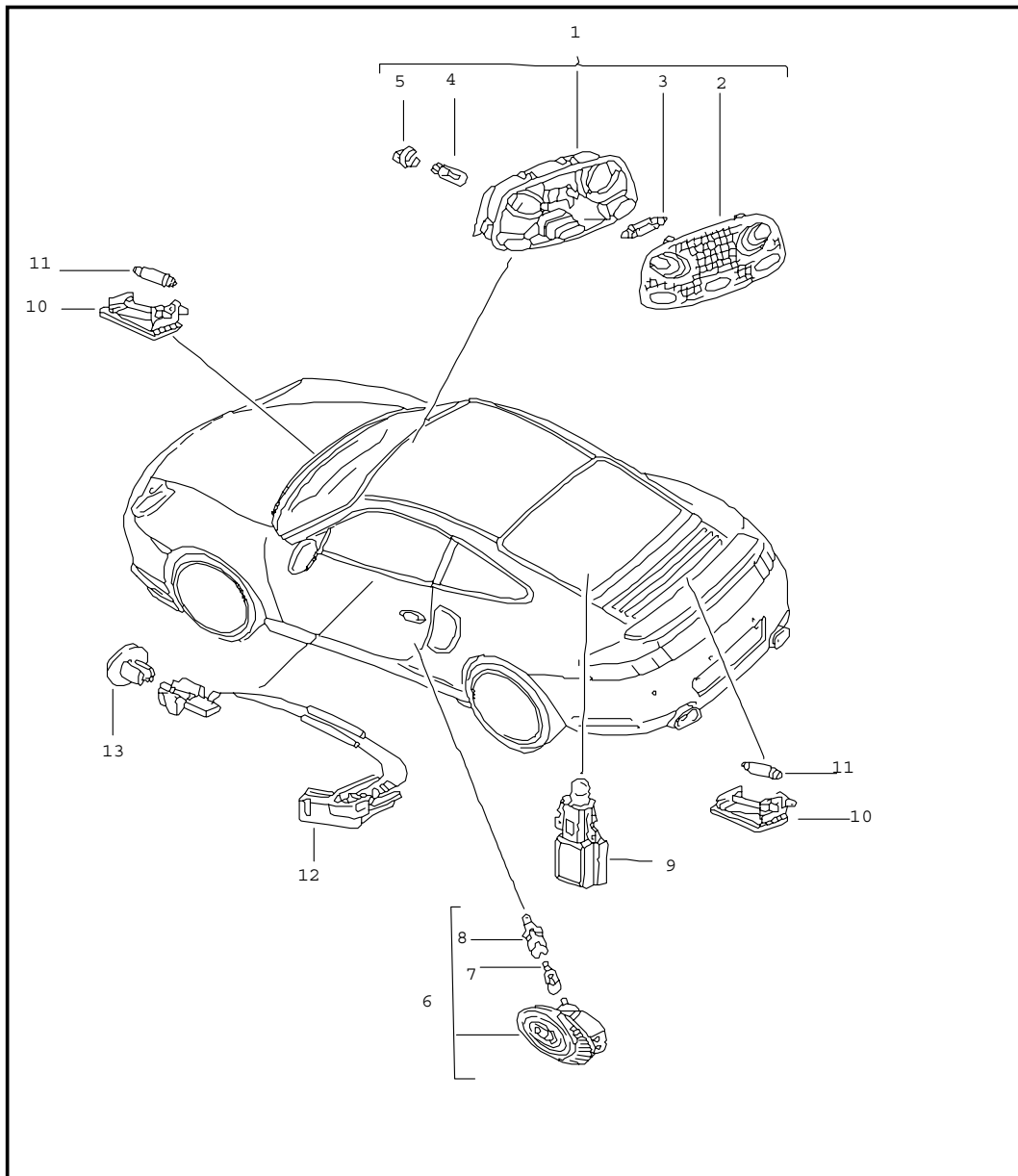


Pos	Part Number	Name	Remarks	Qty	Model
		fanfare horn alarm system			M 536
1	996 635 206 04	fanfare high-pitched		1	
2	996 635 205 04	fanfare low-pitched		1	
3	996 635 150 00	support		1	TURBO
(3)	996 635 150 30	support		1	GT2
4	N 042 121 3	shake-proof washer A 6,4		2	
5	900 380 015 09	hexagon nut M 6		2	
6	900 377 003 02	hexagon nut M 8		1	
7 A	996 637 117 01	horn for alarm system	-04	1	
7	996 637 117 02	horn for alarm system		1	
8	900 075 459 09	screw M 6 X 12 Z2		1	
9 A	996 618 237 03	alarm siren	-04	1	M 536
9	996 618 237 04	alarm siren		1	M 536
10	999 703 459 40	rubber mounting		1	M 536
11	996 637 420 01	support	/LL	1	M 536
(11)	996 637 419 01	support	/RL	1	M 536
12 A	996 618 265 00	tilt sensor see technical manual GR.9 / 96 64 32 use also:	-01	1	M 536
-	996 622 904 00	wiring harness		1	
-	999 650 118 40	clip		1	M 536
(12)	996 618 265 01	tilt sensor	02-	1	M 536
-	996 637 421 00	support tilt sensor	02-	1	M 536

Model	Year	MG	SG	Illustration	Restrictions	Update	12:33	25.11.2005	PORSCHE	PET	PORSCHE
996t	05	9	03	903-00		194					

Pos	Part Number	Name	Remarks	Qty	Model	Pos	Part Number	Name	Remarks	Qty	Model
-	900 378 179 09	hexagon-head bolt M 6 X 16	02-	1	M 536						
-	999 500 078 00	sheetmetal press nut M 6	02-	1	M 536						
		- - - E N D - - -									

Model	Year	MG	SG	Illustration	Restrictions	Update	12:34	25.11.2005	PORSCHE	PET	PORSCHE
996t	05	9	03	903-04		194					

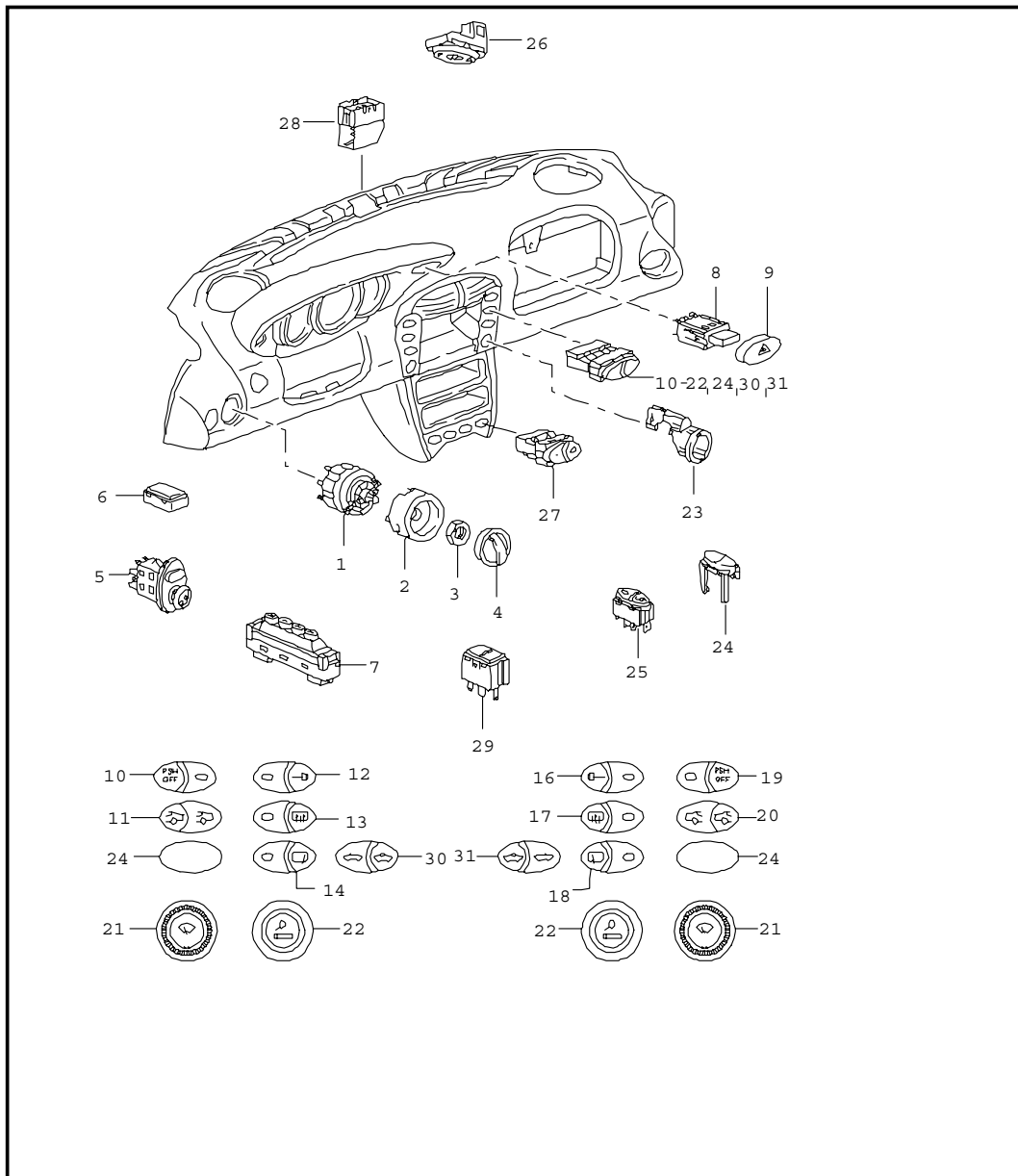


Pos	Part Number	Name	Remarks	Qty	Model
		interior lights luggage boot lamp engine compartment lamp floor light glove compartment light combined lights door opener			XX2
1	996 632 051 01	interior light	01	1	M 265
1	996 632 051 10	interior light	02-	1	M 265
(1)	996 632 053 01	interior light	01	1	
(1)	996 632 053 10	interior light	02-	1	GT2
2	996 632 151 00	lens		1	M 265
(2)	996 632 153 00	lens	01	1	
(2)	996 632 153 10	lens	02-	1	GT2
3	900 631 106 90	bulb 10 W		1	
4	999 631 134 90	bulb 6 W		2	
5	999 632 018 00	bulb holder		2	
6	996 632 132 01	door guard light		2	
7	999 631 032 90	bulb 5 W		2	
8	161 949 111	bulb holder		2	
9	996 632 113 00	ashtray light		1	
		luggage boot lamp engine compartment lamp floor light			XX2
10	A 959 632 201 00	light		2	
10	997 632 201 00	light		2	
-	996 632 980 00	support floor light		2	XX2
(10)	928 632 101 00	glove compartment light	02-	1	
11	900 631 106 90	linolite lamp 10 W luggage boot lamp engine compartment lamp		2	

Model	Year	MG	SG	Illustration	Restrictions	Update	12:34	25.11.2005	PORSCHE	PET	PORSCHE
996t	05	9	03	903-04		194					

Pos	Part Number	Name	Remarks	Qty	Model	Pos	Part Number	Name	Remarks	Qty	Model
(11)	999 631 018 90	linolite lamp 3 W glove compartment light	02-	1							
-	999 631 137 90	bulb 3 W make-up mirror		4	M 274						
12	996 632 121 02	combined lights driver's door door opener ignition starter lock	/LL	1							
(12)	996 632 124 02	combined lights driver's door door opener ignition starter lock	/RL	1							
(12)	996 632 122 02	combined lights passenger's door door opener	/LL	1							
(12)	996 632 123 02	combined lights passenger's door door opener	/RL	1							
13	996 632 125 00	rose driver's door combined lights ignition starter lock	/LL	1							
(13)	996 632 126 00	rose driver's door combined lights ignition starter lock	/RL	1							
		- - - E N D - - -									

Model	Year	MG	SG	Illustration	Restrictions	Update	12:34	25.11.2005	PORSCHE	PET	PORSCHE
996t	05	9	03	903-05		194					



Pos	Part Number	Name	Remarks	Qty	Model
		switch			
1	996 613 535 00	light switch		1	
2	996 613 631 01	headlight unit	/LL	1	
(2)	996 613 632 01	headlight unit	/RL	1	
3	999 034 030 09	hexagon nut M 16 X 1		1	
4	996 613 533 01	rotary knob	01	1	
	A01	gloss black			
4	996 613 533 10	rotary knob	02-	1	
	A05	black mat			
5	996 613 241 00	switch		1	M 273
	01C	satin black door mirror			
(5)	996 613 980 01	switch door mirror leather		1	XTJ/XTK/XTL/ XTR
	A11	black			
	C51	graphite grey			
	S31	savanna			
	G11	metropole blue			
	J31	nephrite green			
	M31	boxster red			
	P12	cinnamon brown			
	D12	dark grey/natural			
	T12	brown/natural			
6	996 613 423 00	cover rear spoiler		1	
7	996 613 103 01	memory switch	01	1	M 537/ M 538
(7)	996 613 103 02	memory switch	02-	1	M 537/ M 538
8	996 613 120 01	hazard warning light sw.		1	
9	996 613 121 00	adjusting lever	01	1	
	A02	gloss black			

Model	Year	MG	SG	Illustration	Restrictions	Update	12:34	25.11.2005	PORSCHE	PET	PORSCHE
996t	05	9	03	903-05		194					

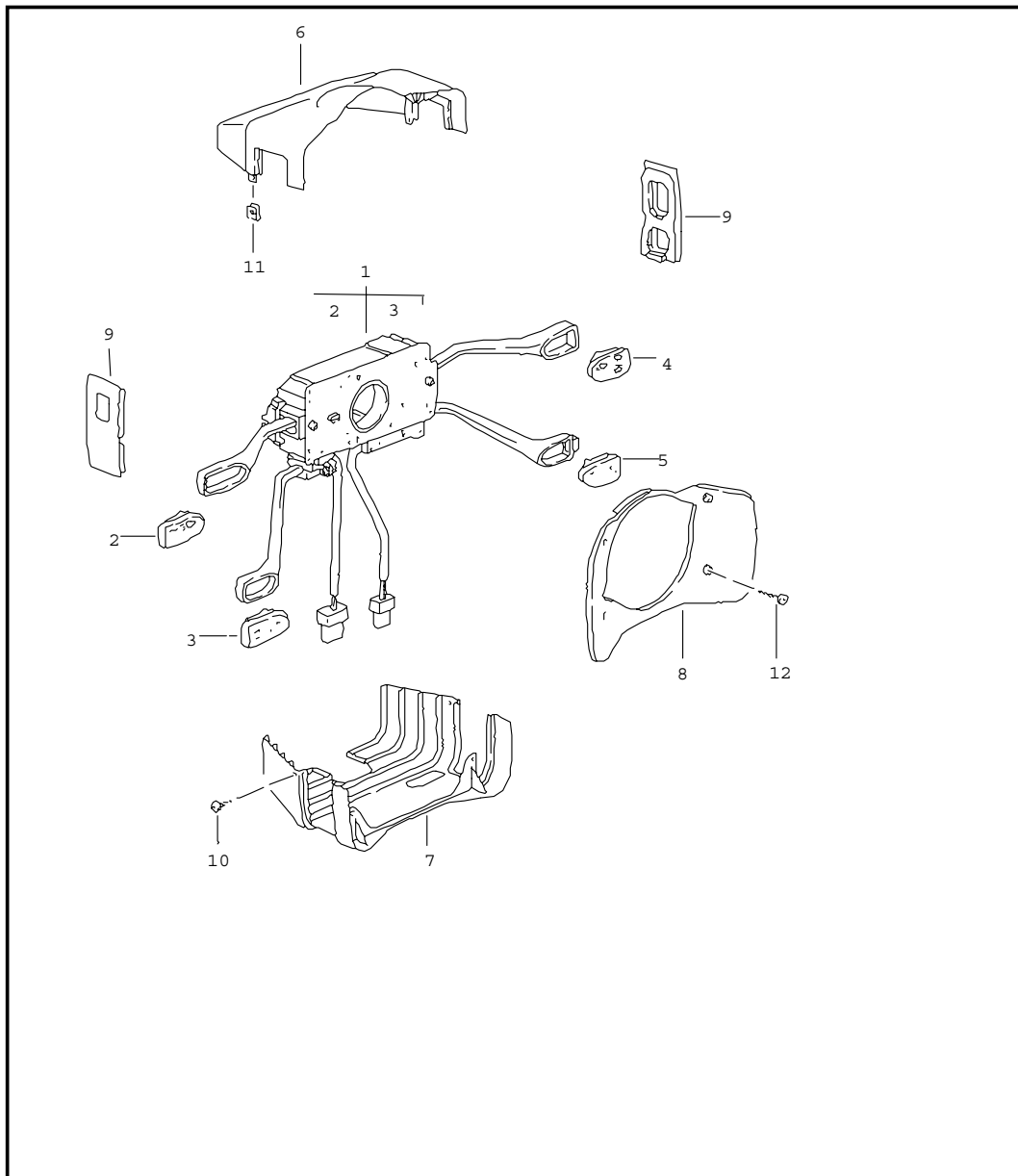
Pos	Part Number	Name	Remarks	Qty	Model	Pos	Part Number	Name	Remarks	Qty	Model
9	996 613 121 10	adjusting lever	02-	1			A05	black mat rear window wiper			
-	-	rose hazard warning light sw. see group 8 / 09 / 00		X		16	996 613 143 00	tip switch	/RL 01	1	
10	996 613 145 00	tip switch	/LL 01	1	M 476	16	996 613 143 10	tip switch	/RL 02-	1	
10	996 613 145 10	tip switch	/LL 02-	1	M 476		A05	black mat central locking system			
11	996 613 155 00	tip switch	/LL 01	1		17	996 613 133 00	tip switch	/RL 01	1	
11	996 613 155 10	tip switch	/LL 02-	1			A02	gloss black heating rear window door mirror			
12	996 613 144 00	tip switch	/LL 01	1		17	996 613 133 10	tip switch	/RL 02-	1	
12	996 613 144 10	tip switch	/LL 02-	1			A05	black mat heating rear window door mirror			
13	996 613 134 00	tip switch	/LL 01	1		18	996 613 135 00	tip switch	/RL 01	1	M 425
13	996 613 134 10	tip switch	/LL 02-	1			A02	gloss black rear window wiper			
14	996 613 136 00	tip switch	/LL 01	1	M 425	18	996 613 135 10	tip switch	/RL 02-	1	M 425
14	996 613 136 10	tip switch	/LL 02-	1	M 425		A05	black mat rear window wiper			
		A02	gloss black heating rear window door mirror			19	996 613 146 00	tip switch	/RL 01	1	M 476
		A02	gloss black heating rear window door mirror			19	996 613 146 10	tip switch	/RL 02-	1	M 476
		A05	black mat			20	996 613 156 00	tip switch	/RL 01	1	
		A05	black mat heating rear window door mirror			20	996 613 156 10	tip switch	/RL 02-	1	
		A02	gloss black rear spoiler			21	996 613 115 00	potentiometer	01	1	
		A02	gloss black rear window wiper								

Model	Year	MG	SG	Illustration	Restrictions	Update	12:34	25.11.2005	PORSCHE	PET	PORSCHE
996t	05	9	03	903-05		194					

Pos	Part Number	Name	Remarks	Qty	Model	Pos	Part Number	Name	Remarks	Qty	Model
	A02	gloss black wipe interval					A02	gloss black sunroof			
21	996 613 115 10	potentiometer	02-	1	GT2	26	996 613 147 10	tip switch	02-	1	M 650
	A05	black mat wipe interval					A05	black mat sunroof			
(21)	996 613 127 00	potentiometer	01	1	M 265	27	996 613 153 00	tip switch	/L 01	1	M 139
	A02	gloss black wipe interval					A02	gloss black seat heater			
(21)	996 613 127 10	potentiometer	02-	1	M 265	(27)	996 613 154 00	tip switch	/R 01	1	M 340
	A05	black mat wipe interval					A02	gloss black seat heater			
22	996 652 101 00	cigarette lighter	01	1		27	996 613 153 10	tip switch	/L 02 /L 03-	1	M 139 M 342
22	996 652 101 10	cigarette lighter	02-	1			A05	black mat seat heater			
	A05	black mat				(27)	996 613 154 10	tip switch	/R 02 /R 03-	1	M 340 M 342
23	996 652 102 01	headlight unit	01	1			A05	black mat seat heater			
23	996 652 102 10	headlight unit	02-	1		28	996 653 251 00	light alarm system with sensor		1	M 534, M 535, M 573
24	986 613 425 00	cover	01	X		29	996 613 105 10	tip switch		1	
	A01	gloss black switch display specimen					A05	black mat cover front			
24	996 613 425 10	cover	02-	X		(29)	996 613 106 10	tip switch		1	
	A05	black mat switch display specimen					A05	black mat cover rear			
(24)	996 613 980 06	tip switch	02-	1	XX2	30	996 613 138 10	tip switch	/LL 04-	1	CABRIO
	A05	black mat floor light					A05	black mat folding top control			
25	996 613 151 00	tip switch	01	2		31	996 613 137 10	tip switch	/RL 04-	1	CABRIO
	A02	gloss black power windows					A05	black mat folding top control			
25	996 613 151 10	tip switch	02-	2							
	A05	black mat power windows									
26	996 613 147 00	tip switch	01	1	M 650						

- - - E N D - - -

Model	Year	MG	SG	Illustration	Restrictions	Update	12:34	25.11.2005	PORSCHE	PET	PORSCHE
996t	05	9	03	903-10		194					

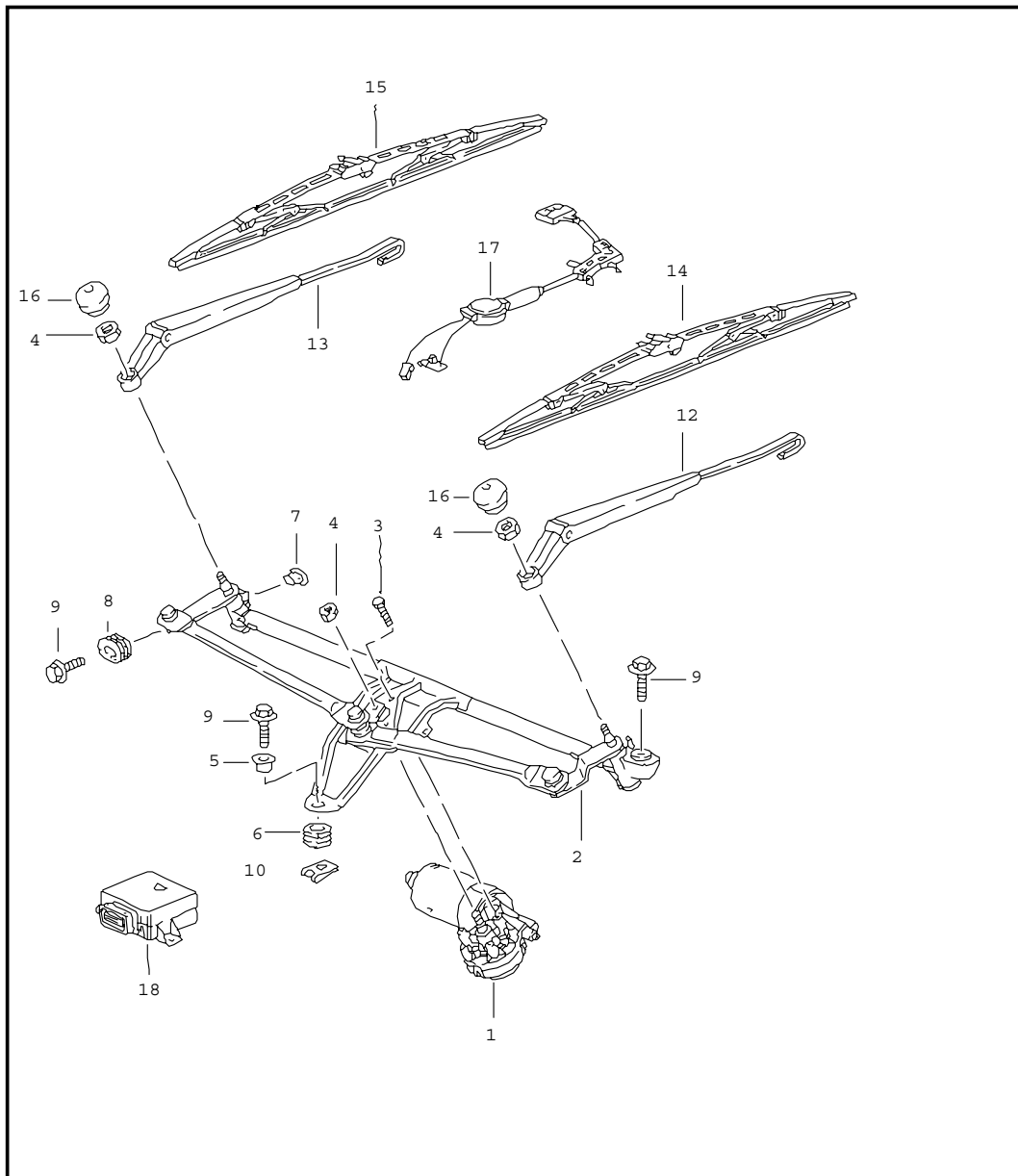


Pos	Part Number	Name	Remarks	Qty	Model
1	996 613 219 10	steering column switch		1	M 454/659
	EWC	black mat/satin black			
1	996 613 215 10	steering column switch		1	M 659
	EWC	black mat/satin black			
		when required order also:			
2	996 613 509 00	cap with symbol	01	1	
	A01	gloss black direction indicator light high beam			
2	996 613 509 10	cap with symbol	02-	1	
	A05	black mat direction indicator light high beam			
3	996 613 503 01	cap with symbol	01	1	M 659
	A01	gloss black			
3	996 613 503 10	cap with symbol	02-	1	M 659
	A05	black mat			
4	996 613 507 00	cap with symbol	01	1	M 288
	A01	gloss black			
4	996 613 507 10	cap with symbol	02-	1	M 288
	A05	black mat			
5	996 613 504 00	cap with symbol	01	1	M 454
	A01	gloss black german			
5	996 613 504 10	cap with symbol	02-	1	M 454
	A05	black mat german			
(5)	996 613 505 00	cap with symbol	01	1	M 454
	A01	gloss black english			
(5)	996 613 505 10	cap with symbol	02-	1	M 454

Model	Year	MG	SG	Illustration	Restrictions	Update	12:34	25.11.2005	PORSCHE	PET	PORSCHE
996t	05	9	03	903-10		194					

Pos	Part Number	Name	Remarks	Qty	Model	Pos	Part Number	Name	Remarks	Qty	Model
(5)	996 613 506 00	A05 black mat english cap with symbol	01	1	M 454		G13 metropole blue J33 nephrite green M33 boxster red S33 savanna P13 cinnamon brown				
(5)	996 613 506 10	A01 gloss black french cap with symbol	02-	1	M 454						
6	996 552 273 01	A05 black mat french switch housing lacquered		1		9	993 552 573 00 cover 01C satin black			1	M 659
		A03 black C53 graphite grey G13 metropole blue J33 nephrite green M33 boxster red S33 savanna P13 cinnamon brown				(9)	993 552 573 01 cover 01C satin black			2	M 454/659
7	996 552 275 03	switch housing lacquered		1		10	900 143 002 07 tapping screw B 2,9 X 9,5			2	
		A03 black C53 graphite grey G13 metropole blue J33 nephrite green M33 boxster red S33 savanna P13 cinnamon brown				11	999 591 888 02 speed nut B 2,9			2	
-	996 610 206 00	support for connector housing		1		12	900 143 072 02 oval-head sheetmetal screw B 3,5 X 19			4	
8	996 552 277 00	cover lacquered		1							
		A03 black C53 graphite grey									
								- - - E N D - - -			

Model	Year	MG	SG	Illustration	Restrictions	Update	12:34	25.11.2005	PORSCHE	PET	PORSCHE
996t	05	9	04	904-00		194					

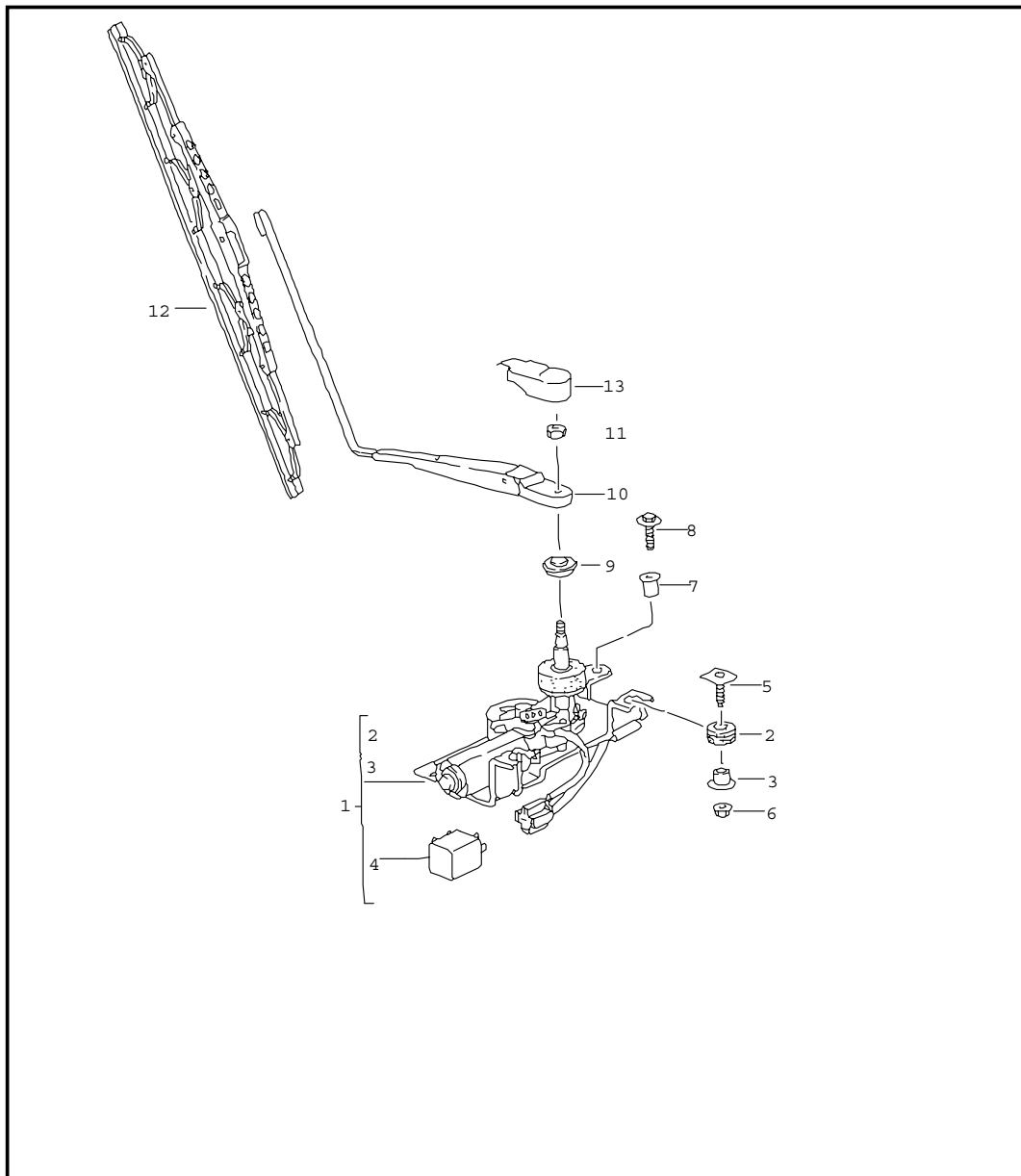


Pos	Part Number	Name	Remarks	Qty	Model
		windscreen wiper system rain sensor			M 265
1	A 996 624 105 00	wiper motor	/LL -04	1	
1	997 624 105 00	wiper motor	/LL	1	
(1)	A 996 624 106 00	wiper motor	/RL -04	1	
(1)	997 624 106 00	wiper motor	/RL	1	
2	A 996 628 935 00	crank drive	/LL -04	1	
2	997 628 235 00	crank drive	/LL	1	
(2)	A 996 628 936 00	crank drive	/RL -04	1	
(2)	997 628 236 00	crank drive	/RL	1	
3	900 075 014 02	hexagon-head bolt M 6 X 18	-04	3	
(3)	999 073 359 09	torx screw M 6 X 18	05	3	
4	900 076 025 02	hexagon nut M 8	-04	3	
4	900 076 064 01	hexagon nut M 8	05	3	
5	999 924 102 02	sleeve		1	
6	999 702 204 50	rubber bush		1	
7	996 628 713 00	sleeve		1	
8	996 628 703 00	rubber bush		1	
9	999 075 056 09	screw M 6 X 22 Z2	-04	3	
9	999 075 075 09	screw M 6 X 22 SC	05	3	
10	999 507 246 02	speed nut M 6		1	
12	996 628 028 00	wiper arm driver's side	/LL	1	
(12)	996 628 027 01	wiper arm passenger's side	/RL	1	
13	996 628 028 01	wiper arm passenger's side	/LL	1	

Model	Year	MG	SG	Illustration	Restrictions	Update	12:34	25.11.2005	PORSCHE	PET	PORSCHE
996t	05	9	04	904-00		194					

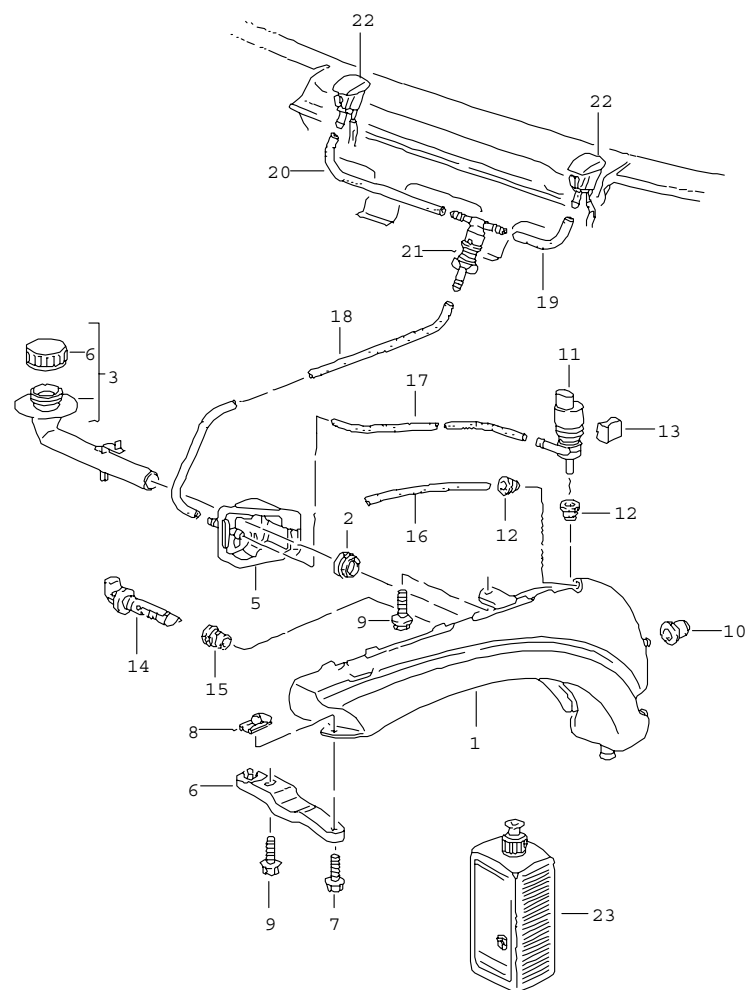
Pos	Part Number	Name	Remarks	Qty	Model	Pos	Part Number	Name	Remarks	Qty	Model
(13)	996 628 027 00	wiper arm driver's side	/RL	1							
(14)	996 628 901 08	wiper blade set driver's side passenger's side see technical information GR. 9 , NR. 1/03	/LL	1							
(15)	996 628 901 08	wiper blade set driver's side passenger's side see technical information GR. 9 , NR. 1/03	/RL	1							
16	944 628 305 01	cap		2							
17	996 612 506 00	rain sensor with wiring harness		1	COUPE M 265						
(17)	996 612 516 00	rain sensor with wiring harness	04-	1	CABRIO M 265						
-	000 043 204 65	adhesive film for rain sensor see technical manual GR. 9 / 92 12 19		1	M 265						
18	996 615 113 00	control unit rain sensor		1	M 265						
		- - - E N D - - -									

Model	Year	MG	SG	Illustration	Restrictions	Update	12:34	25.11.2005	PORSCHE	PET	PORSCHE
996t	05	9	04	904-05		194					



Pos	Part Number	Name	Remarks	Qty	Model
		rear window wiper			
1	996 628 080 00	wiper motor		1	
2	999 702 204 50	rubber bush		2	
3	999 924 102 02	sleeve		2	
4	928 618 104 00	relay		1	
5	999 081 004 02	screw		2	
6	999 084 212 02	hexagon nut M 6		2	
7	999 500 078 00	sheetmetal press nut		1	
8	999 075 056 09	screw M 6 X 22 Z2		1	
9	996 628 273 01	grommet		1	
10	996 628 040 00	wiper arm		1	
11	900 076 025 02	hexagon nut		1	
12	996 628 901 07	wiper blade		1	
13	996 628 122 00	cap		1	
- - - E N D - - -					

Model	Year	MG	SG	Illustration	Restrictions	Update	12:35	25.11.2005	PORSCHE	PET	PORSCHE
996t	05	9	04	904-10		194					

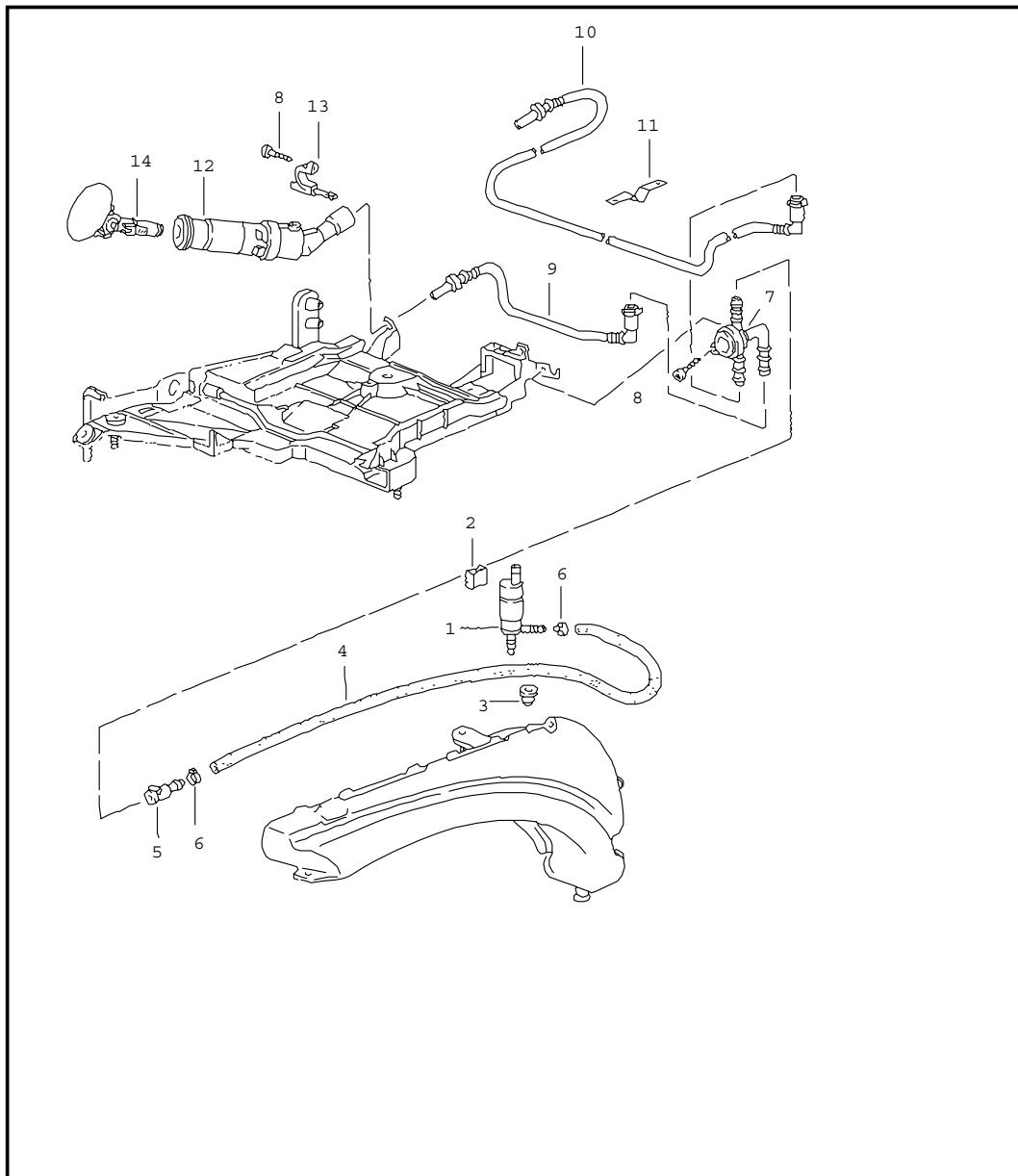


Pos	Part Number	Name	Remarks	Qty	Model
		windscreen washer system			
1	996 528 701 00	water reservoir		1	M 288
2	996 528 711 00	gasket		1	
3	996 528 605 00	filler neck		1	
4	996 528 607 00	cover		1	
5	996 528 615 01	bracket		1	
-	999 137 091 40	socket repair material for bracket 996.528.615.00/01		X	
6	996 528 611 02	support		1	M 288
7	900 378 030 09	hexagon-head bolt M 6 X 20		1	M 288
8	999 591 882 02	speed nut M 6		1	M 288
9	900 378 154 09	hexagon-head bolt AM 8 X 35 SB		2	M 288
10	999 702 221 40	grommet		2	
11	996 628 172 00	pump		1	
12	431 955 465 B	gasket		2	
13	993 628 213 00	spacer		1	M 288
14	996 628 105 00	tank gauge		1	
15	996 528 721 00	gasket		1	
16	999 181 347 40	breather pipe 640 MM		*	M 288
-	999 181 815 40	hose 5,0 X 2,5		*	
17	-	400 MM		1	
18	-	560 MM		1	
19	-	80 MM		1	
20	-	380 MM		1	
21	996 628 102 00	t-piece		1	

Model	Year	MG	SG	Illustration	Restrictions	Update					
996t	05	9	04	904-10		194	12:35	25.11.2005	PORSCHE	PET	PORSCHE

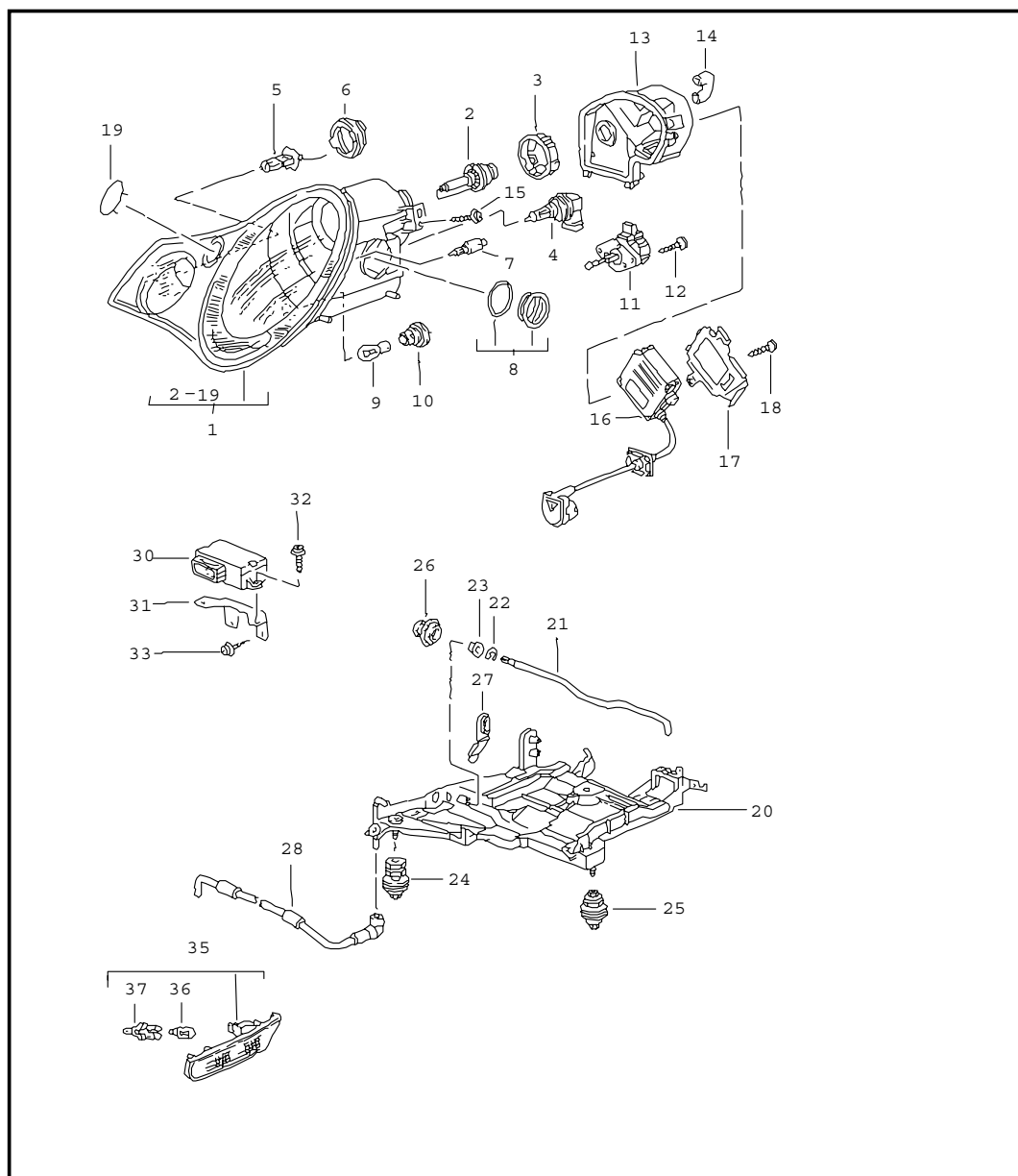
Pos	Part Number	Name	Remarks	Qty	Model	Pos	Part Number	Name	Remarks	Qty	Model
(22)	996 628 077 01	nozzle not adjustable		2							
23	999 901 017 41	window cleaner 250 ML summer		X							
23	999 901 033 40	window cleaner 1000 ML winter		X							
		- - - E N D - - -									

Model	Year	MG	SG	Illustration	Restrictions	Update	12:35	25.11.2005	PORSCHE	PET	PORSCHE
996t	05	9	04	904-20		194					



Pos	Part Number	Name	Remarks	Qty	Model
		headlight washer system			M 288
1	996 624 502 00	pump		1	
2	993 628 213 00	spacer		1	
3	928 628 193 00	gasket without strainer		1	
(3)	996 628 393 00	gasket with strainer		1	
-	999 181 750 40	hose 10 X 3		*	
4	-	1020 MM		1	
5	996 628 204 00	quick-connecting lock		1	
6	999 512 673 00	hose clamp		2	
7	996 628 160 00	distributing piece		1	
8	999 919 017 02	oval-head screw 4,0 X 16		3	
9	996 628 135 00	pipeline	/L	1	
(10)	996 628 136 01	pipeline	/R	1	
11	996 628 110 00	support		2	
12	996 628 161 00	jet carrier	/L	1	
(12)	996 628 162 00	jet carrier	/R	1	
13	996 631 116 00	guide pin		2	
14	996 628 143 00	trim with nozzle	/L	1	
(14)	996 628 144 00	trim with nozzle	/R	1	
		- - - E N D - - -			

Model	Year	MG	SG	Illustration	Restrictions	Update	12:35	25.11.2005	PORSCHE	PET	PORSCHE
996t	05	9	05	905-00		194					

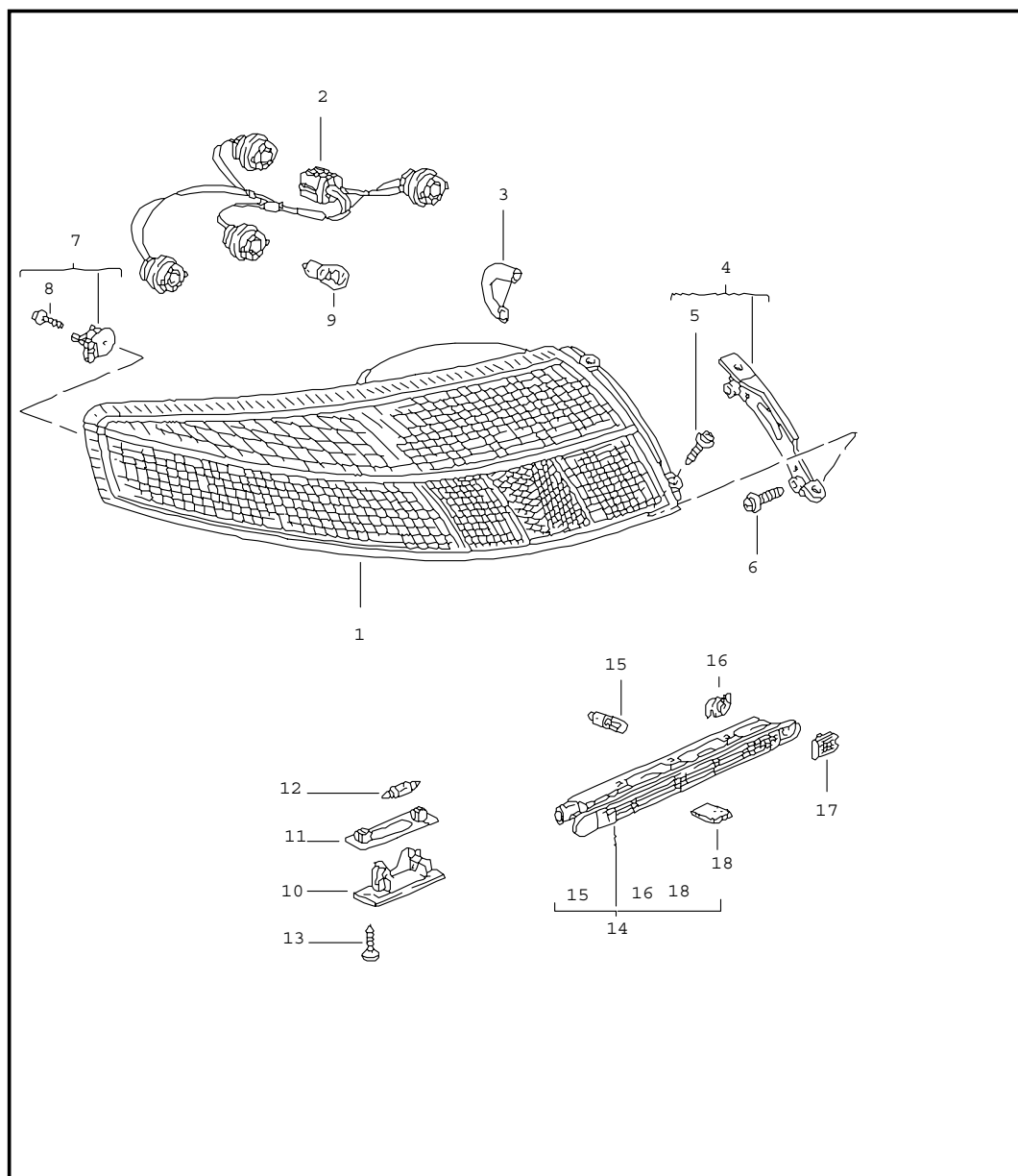


Pos	Part Number	Name	Remarks	Qty	Model
		headlamp side turn signal			M 601
1	996 631 055 10	headlamp	/L	1	
1	996 631 056 10	headlamp	/R	1	
1	996 631 065 10	headlamp	/L	1	M 492
1	996 631 066 10	headlamp	/R	1	M 492
2	999 631 036 90	bulb - PHILIPS -		2	
3	996 631 179 00	retainer		2	
4	999 631 144 90	halogen bulb H 11		2	
5	900 631 126 90	halogen bulb H 3		2	
6	996 631 123 00	protective cap fog headlamp		2	
7	999 631 140 90	bulb H 6 W position light		2	
8	996 631 134 00	protective cap position light		2	
9	900 631 131 90	bulb 21 W yellow direction indicator light		2	
10	996 631 118 00	bulb holder direction indicator light		2	
11	996 631 135 00	electric motor headlight levelling system		2	
12	999 919 093 02	oval-head screw 4,0 X 10		4	
13	996 631 101 10	protective cap headlamp	/L	1	
(13)	996 631 102 10	protective cap headlamp	/R	1	
14	996 631 120 00	breather adapter		2	
15	999 919 050 02	oval-head screw 4,0 X 12		4	
16	996 631 183 00	control unit		2	

Model	Year	MG	SG	Illustration	Restrictions	Update	12:35	25.11.2005	PORSCHE	PET	PORSCHE
996t	05	9	05	905-00		194					

Pos	Part Number	Name	Remarks	Qty	Model	Pos	Part Number	Name	Remarks	Qty	Model
17	996 631 161 00	support	/L	1		32	900 143 157 07	screw BZ 4,2 X 13 Z2		2	
(17)	996 631 162 00	support	/R	1		33	999 073 169 07	tapping screw ST 4,8 X 16	01	2	
18	999 919 017 02	oval-head screw 4,0 X 16		2		33	999 073 196 09	tapping screw ST 4,8 X 9,5	02-	1	
19	-	trim and nozzle headlight washer system see group 9/04/20				-	999 591 855 02	speed nut 4,8	02-	1	
20	996 631 173 00	mounting	/L	1				sensor headlight levelling system see group 4/01/00	/V		
(20)	996 631 174 00	mounting	/R	1				5/01/01	/H		
21	996 631 273 00	clamping bow		2				side turn signal			
22	900 116 004 09	lock washer		2		35	996 631 043 01	side turn signal	/L	1	
23	996 631 272 00	bearing sleeve		2		(35)	996 631 044 01	side turn signal	/R	1	
24	996 631 079 00	fastening part		4		36	999 631 138 90	bulb 5 W yellow		2	
25	996 631 078 00	fastening part		2		(37)	996 631 133 01	bulb holder		2	
26	999 703 413 40	plug		2				- - - E N D - - -			
27	993 631 170 03	plug		6							
-	996 631 140 00	sealing washer ventilation pipe		2							
(28)	996 631 149 00	ventilation component see technical information GR.9 , NR. 7/02		2							
30	996 618 151 10	control unit headlight levelling system F >>991S6 82363		1							
30	996 618 151 15	control unit headlight levelling system F 991S6 82364>>		1							
31	996 618 155 00	support F >>991S6 83455 F >>991S6 95108	01	1							
(31)	996 618 155 13	support F 991S6 83456>> F 991S6 95109>>	01	1							
(31)	996 618 155 10	support	02-	1							

Model	Year	MG	SG	Illustration	Restrictions	Update	12:35	25.11.2005	PORSCHE	PET	PORSCHE
996t	05	9	05	905-05		194					

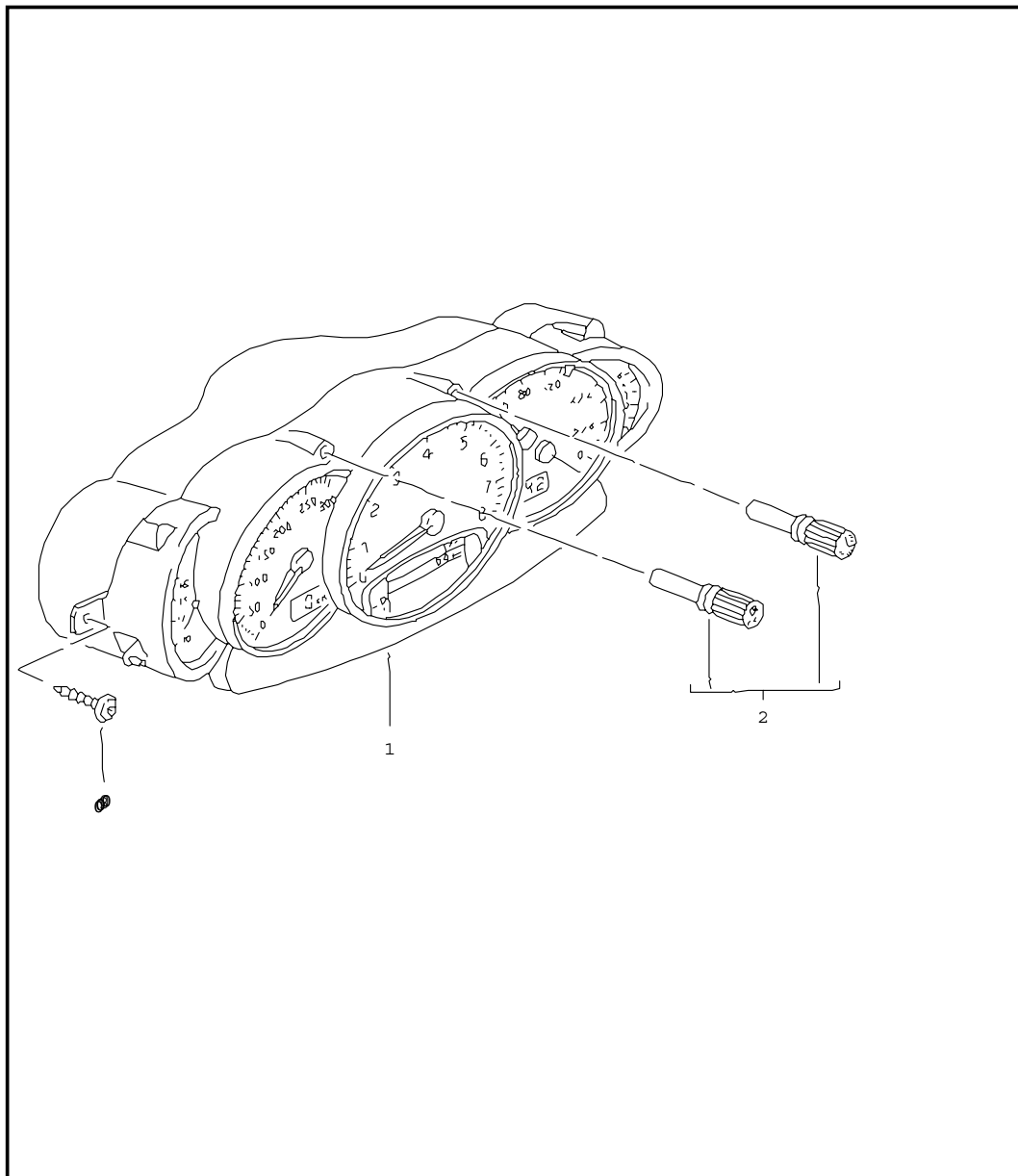


Pos	Part Number	Name	Remarks	Qty	Model
		rear light license plate light additional stoplamp			M 602
1	996 631 487 00	rear light housing	/L	1	
(1)	996 631 488 00	rear light housing	/R	1	
2	996 631 437 00	wiring harness		2	
3	996 631 451 01	connection piece		4	
4	996 631 465 01	support	/L	1	
(4)	996 631 466 01	support	/R	1	
5	999 074 113 02	screw M 5 X 18		4	
6	900 146 117 09	screw M 5 X 16 Z2	01	4	
6	999 073 250 09	oval-head screw M 5 X 15	02-	4	
7	996 631 471 00	mounting		2	
8	999 919 121 09	screw		2	
9	900 631 127 90	bulb 21 W white		X	
9	900 631 131 90	bulb 21 W yellow		X	
(9)	900 631 128 90	bulb 21/5 W		X	
(9)	900 631 104 90	bulb 5 W		X	
10	964 631 620 00	license plate light		2	
		01C black			
11	993 631 166 00	desk pad		2	
12	900 631 105 90	bulb 12V 5W		2	
13	900 143 085 07	tapping screw 4,2 X 16		4	
14	996 631 050 01	additional stoplamp		1	M 602

Model	Year	MG	SG	Illustration	Restrictions	Update	12:35	25.11.2005	PORSCHE	PET	PORSCHE
996t	05	9	05	905-05		194					

Pos	Part Number	Name	Remarks	Qty	Model	Pos	Part Number	Name	Remarks	Qty	Model
15	900 631 019 90	bulb 3 W		X	M 602						
16	996 631 168 00	fastening part		1	M 602						
17	996 631 165 00	cap		1	M 602						
18	996 631 105 00	desk pad		2	M 602						
		- - - E N D - - -									

Model	Year	MG	SG	Illustration	Restrictions	Update	12:36	25.11.2005	PORSCHE	PET	PORSCHE
996t	05	9	06	906-01		194					

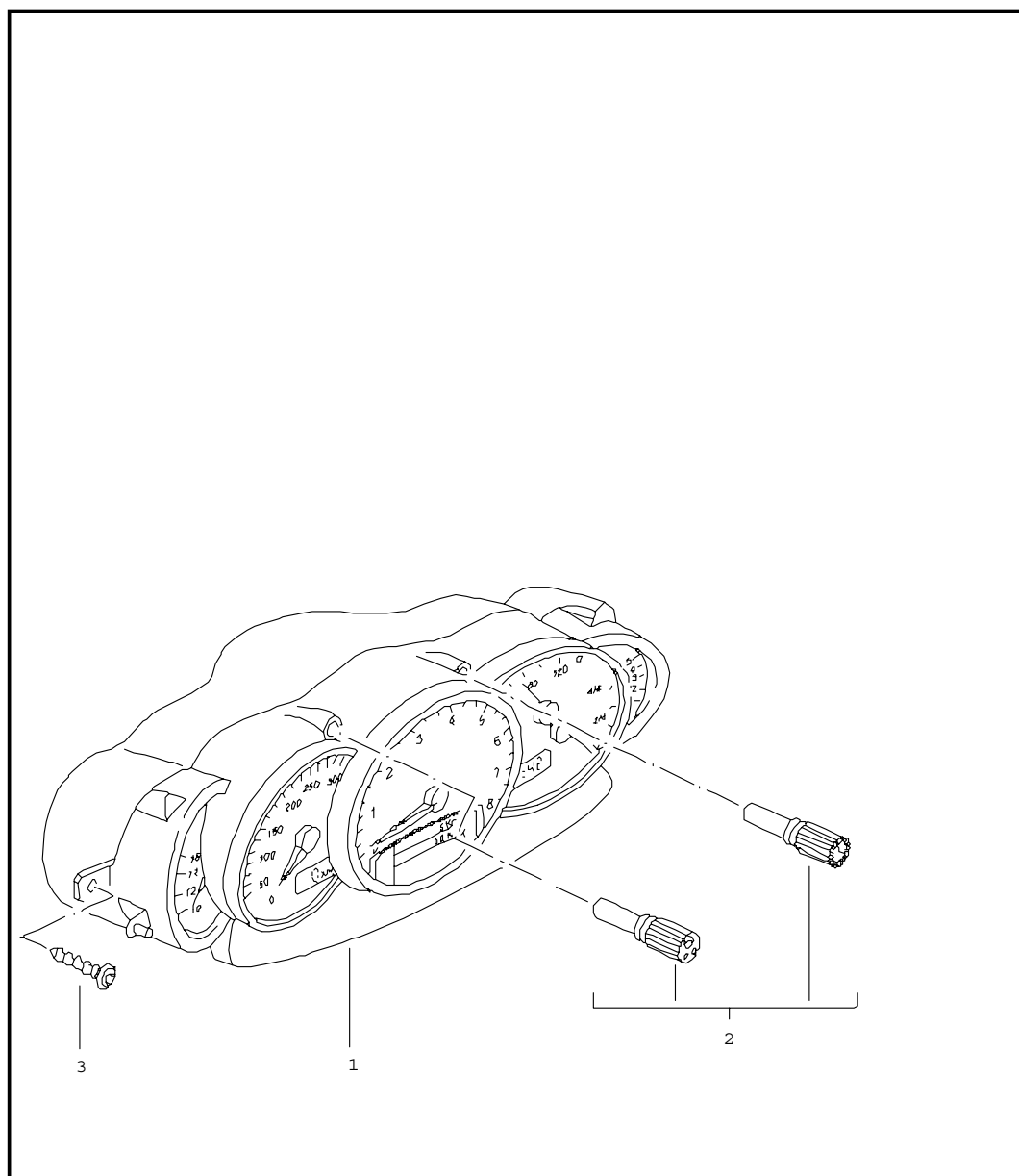


Pos	Part Number	Name	Remarks	Qty	Model
		instruments complete electronic mail GR.9 , NR.10/01			
		instruments X45/X71 see group 9/06/02			
1	996 641 215 04	instrument cluster complete		1	TURBO M 480
	70C	rally black			
(1)	996 641 985 22	instrument cluster complete	05	1	TURBO S M 480
	70C	rally black			
(1)	996 641 215 05	instrument cluster complete		1	GT2 M 480
	70C	rally black			
(1)	996 641 216 04	instrument cluster complete		1	TURBO M 249
	70C	rally black			
(1)	996 641 985 23	instrument cluster complete	05	1	TURBO S M 249
	70C	rally black			
(1)	996 641 217 04	instrument cluster complete		1	TURBO (GB) M 480
	70C	rally black			
(1)	996 641 985 24	instrument cluster complete	05	1	TURBO S (GB) M 480
	70C	rally black			
(1)	996 641 217 05	instrument cluster complete		1	GT2 (GB)
	70C	rally black			
(1) A	996 641 218 03	instrument cluster complete	-02	1	TURBO (GB) M 249

Model	Year	MG	SG	Illustration	Restrictions	Update	12:36	25.11.2005	PORSCHE	PET	PORSCHE
996t	05	9	06	906-01		194					

Pos	Part Number	Name	Remarks	Qty	Model	Pos	Part Number	Name	Remarks	Qty	Model
	70C	rally black									
(1)	A 996 641 218 05	instrument cluster complete	03	1	TURBO (GB) M 249						
	70C	rally black									
(1)	996 641 218 04	instrument cluster complete		1	TURBO (GB) M 249						
	70C	rally black									
(1)	996 641 985 25	instrument cluster complete	05	1	TURBO S (GB) M 249						
	70C	rally black									
(2)	996 641 911 00	knob actuator tripmeter and clock		1							
(3)	999 919 188 09	oval-head screw 5,0 X 30		2							
		- - - E N D - - -									

Model	Year	MG	SG	Illustration	Restrictions	Update	12:36	25.11.2005	PORSCHE	PET	PORSCHE
996t	05	9	06	906-02		194					

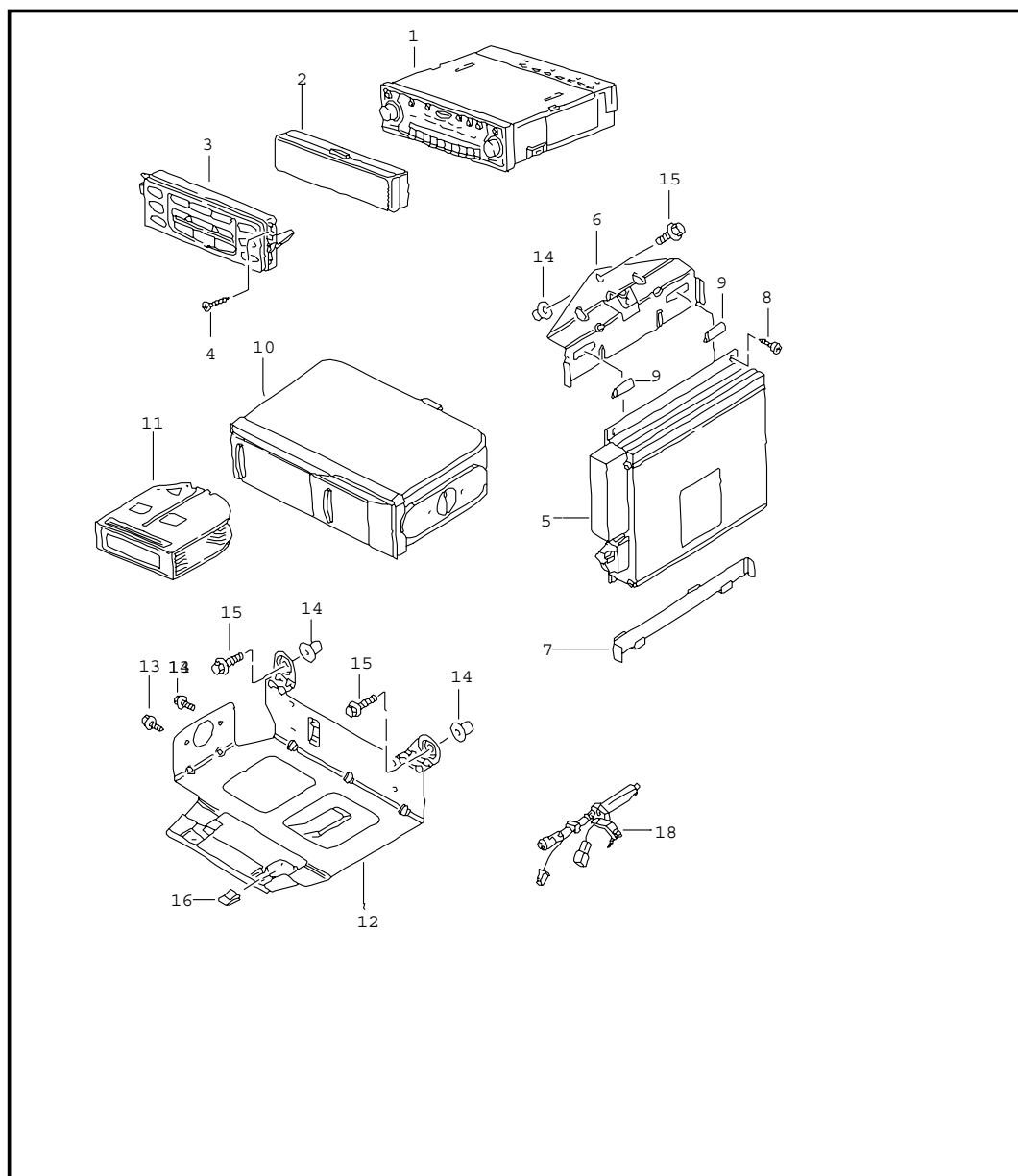


Pos	Part Number	Name	Remarks	Qty	Model
		instruments complete electronic mail GR.9 , NR.10/01	01-		X45/X71
		instrument cluster dial lacquered interior colour			X45
1	996 641 985 08	instrument cluster complete		1	M 480
	J33	nephrite green			
	C53	graphite grey			
	S33	savanna			
	G13	metropole blue			
	M33	boxster red			
	P13	cinnamon brown			
	D12	dark grey/natural			
	T12	brown/natural			
1	996 641 985 10	instrument cluster complete		1	(GB) M 480
	J33	nephrite green			
	C53	graphite grey			
	S33	savanna			
	G13	metropole blue			
	M33	boxster red			
	P13	cinnamon brown			
	D12	dark grey/natural			
	T12	brown/natural			
1	996 641 985 09	instrument cluster complete		1	M 249
	J33	nephrite green			
	C53	graphite grey			
	S33	savanna			
	G13	metropole blue			

Model	Year	MG	SG	Illustration	Restrictions	Update	12:36	25.11.2005	PORSCHE	PET	PORSCHE
996t	05	9	06	906-02		194					

Pos	Part Number	Name	Remarks	Qty	Model	Pos	Part Number	Name	Remarks	Qty	Model
	M33	boxster red				1	996 641 984 57	instrument cluster complete		1	GT2 (GB)
	P13	cinnamon brown					70C	rally black			
	D12	dark grey/natural				1	996 641 985 03	instrument cluster complete		1	M 249
	T12	brown/natural					70C	rally black			
1	996 641 985 11	instrument cluster complete		1	(GB) M 249	1	996 641 985 23	instrument cluster complete	05	1	TURBO S M 249
	J33	nephrite green					70C	rally black			
	C53	graphite grey				1	996 641 985 05	instrument cluster complete		1	(GB) M 249
	S33	savanna					70C	rally black			
	G13	metropole blue				1	996 641 985 25	instrument cluster complete	05	1	TURBO S_(GB) M 249
	M33	boxster red					70C	rally black			
	P13	cinnamon brown				1	996 641 985 25	instrument cluster complete	05	1	TURBO S_(GB) M 249
	D12	dark grey/natural					70C	rally black			
	T12	brown/natural				2	996 641 911 00	knob actuator tripmeter and clock		1	
1	996 641 985 02	instrument cluster complete		1	TURBO M 480	3	999 919 188 09	oval-head screw 5,0 X 30		1	
	70C	rally black									
1	996 641 985 22	instrument cluster complete	05	1	TURBO S M 480				- - - E N D - - -		
	70C	rally black									
1	996 641 984 55	instrument cluster complete		1	GT2						
	70C	rally black									
1	996 641 985 04	instrument cluster complete		1	TURBO (GB) M 480						
	70C	rally black									
1	996 641 985 24	instrument cluster complete	05	1	TURBO S (GB) M 480						
	70C	rally black									

Model	Year	MG	SG	Illustration	Restrictions	Update	12:36	25.11.2005	PORSCHE	PET	PORSCHE
996t	05	9	11	911-00		194					

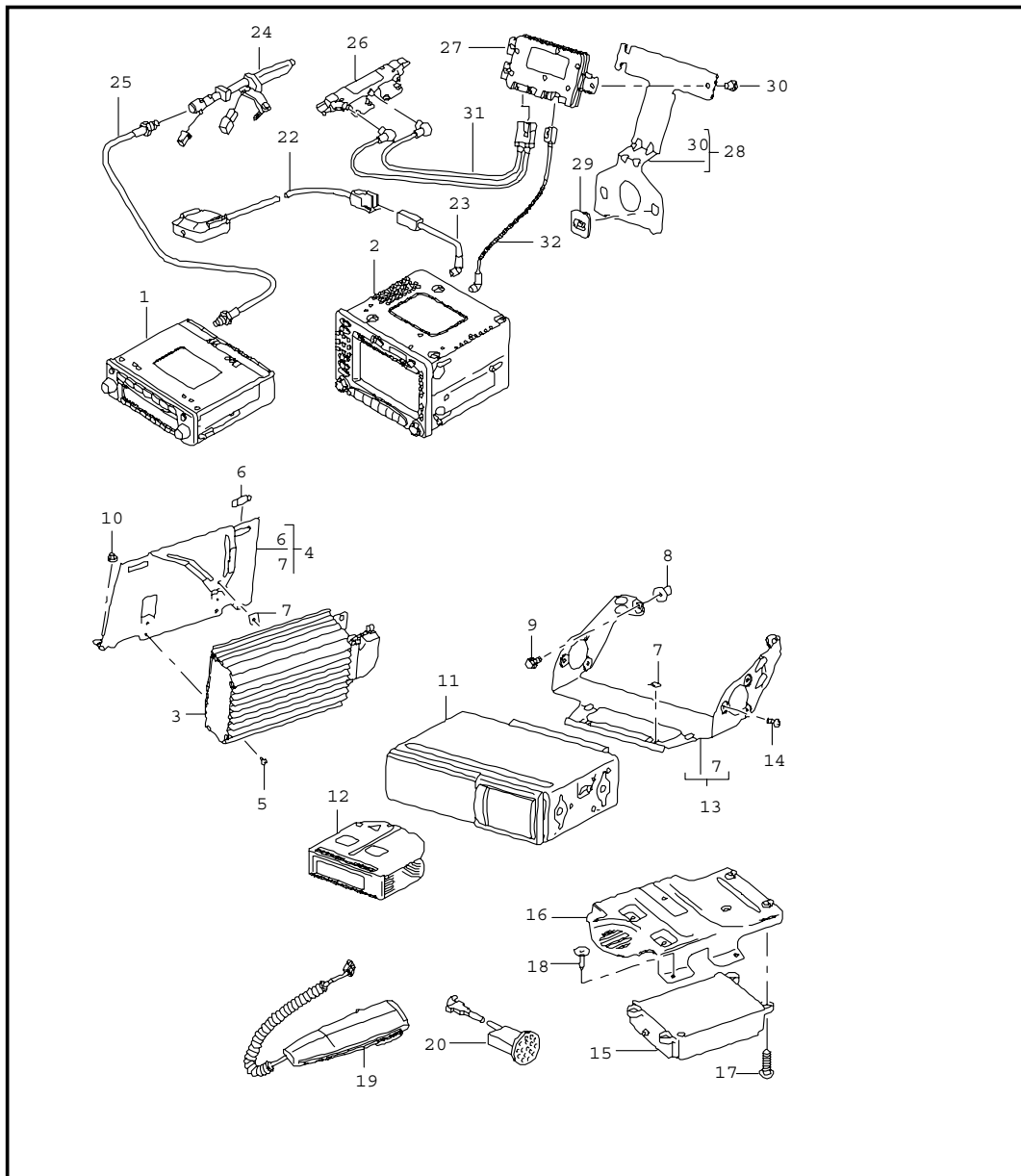


Pos	Part Number	Name	Remarks	Qty	Model
1	-	radio booster	-02 -02		
(2)	996 645 190 00	radio see catalogue - TEQUIPMENT -		1	
(2)	996 645 190 00	case for control part radio		1	
-	996 645 106 00	alarm contact plate for radio	01	1	
-	996 645 107 00	alarm contact plate for radio	02	1	
3	996 645 201 02	control part EFR gloss black	01	1	M 680
4	999 919 182 09	oval-head screw 4,0 X 20	01	2	M 680
5	996 645 321 00	booster	01	1	M 490
(5)	996 645 322 01	booster digital sound processing	01	1	M 680
(5)	996 645 338 00	booster BOSE	02	1	M 680
(5)	996 645 341 00	additional amplifier BOSE	02	1	M 680
6	996 645 235 01	support upper part	/LL 01	1	M 490/M 680
(6)	996 645 235 02	support upper part	/LL 02	1	M 680
(6)	996 645 265 00	support	02	1	M 680
(6)	996 645 239 01	support additional amplifier		1	M 680
7	996 645 335 00	support lower part	/LL	1	M 490/M 680
(7)	996 645 236 00	support	/RL	1	M 490/M 680
8	900 143 031 02	oval-head sheetmetal screw 4,2 X 9,5		2	M 490/M 680

Model	Year	MG	SG	Illustration	Restrictions	Update	12:36	25.11.2005	PORSCHE	PET	PORSCHE
996t	05	9	11	911-00		194					

Pos	Part Number	Name	Remarks	Qty	Model	Pos	Part Number	Name	Remarks	Qty	Model
9	999 507 510 02	u-clamp		2	M 490/M 680						
(9)	999 591 954 09	u-clamp	/RL	2	M 490/M 680						
(9)	999 507 532 02	u-clamp	/RL	2	M 490/M 680						
-	999 591 725 02	speed nut ST 3,5	/LL	1	M 490/M 680						
- U	999 507 771 40	plug 5,5 X 4,8	02	1	M 680						
-	999 073 048 02	tapping screw 3,5 X 13	02	1	M 680						
10 >	993 645 130 00	cd changer CDC - 3		1	M 692						
11	993 645 113 00	rack for cd changer		1	M 692						
12	996 645 231 00	support	/LL	1	M 692						
(12)	996 645 232 01	support	/RL	1	M 692						
-	996 610 207 00	cable cover cd changer	/LL	1	M 692						
13	999 075 067 09	screw M 4 X 8		6	M 692						
14	999 500 078 00	sheetmetal press nut M 6		3							
15	900 378 188 09	hexagon-head bolt M 6 X 20		3							
16	999 507 532 02	u-clamp		2							
18	996 647 105 00	antenna booster		1							
-	996 612 072 00	connecting cable antenna booster radio		1							
		- - - E N D - - -									

Model	Year	MG	SG	Illustration	Restrictions	Update	12:36	25.11.2005	PORSCHE	PET	PORSCHE
996t	05	9	11	911-01		194					



Pos	Part Number	Name	Remarks	Qty	Model
1	-	radio navigation system telephone	03- 03- 03-		
2	A 996 642 204 05	control part A05 black mat	04	1	GT2 M 665
2	> 996 642 204 06	control part A05 black mat	04	1	GT2 M 665
2	> 996 642 204 07	control part A05 black mat	05	1	GT2 M 665
2	A 996 642 214 02	control part A05 black mat see technical information GR.9 , NR. 2/03 GR.9 , NR. 3/03	03	1	M 665/M 680
2	A 996 642 214 03	control part A05 black mat see technical information GR.9 , NR. 2/03 GR.9 , NR. 3/03 GR.9 , NR.10/03	03	1	M 665/M 680
2	A 996 642 214 04	control part A05 black mat see technical information GR.9 , NR. 2/03 GR.9 , NR. 3/03 GR.9 , NR.10/03	03	1	M 665/M 680
2	A 996 642 214 05	control part A05 black mat see technical information GR,9 , NR. 10/03	03-	1	M 665/M 680
2	A 996 642 214 06	control part A05 black mat see technical information GR,9 , NR. 10/03	-04	1	M 665/M 680
2	> 996 642 214 07	control part	03-	1	M 665/M 680

Model	Year	MG	SG	Illustration	Restrictions	Update	12:36	25.11.2005	PORSCHE	PET	PORSCHE
996t	05	9	11	911-01		194					

Pos	Part Number	Name	Remarks	Qty	Model	Pos	Part Number	Name	Remarks	Qty	Model
	A05	black mat see technical information GR.9 , NR. 10/03				3	A 996 645 333 03	booster see technical information GR.9 , NR. 2/03 GR.9 , NR. 3/03 GR.9 , NR.10/03	03	1	M 680
-	A 996 642 205 01	module navigation system	03	1	M 670						
-	996 642 205 02	module navigation system	03-	1	M 670	3	A 996 645 333 04	booster see technical information GR.9 , NR. 2/03 GR.9 , NR. 3/03 GR.9 , NR.10/03	03	1	M 680
-	A 996 642 030 00	cd-rom navigation system see technical information GR.9 , NR. 10/03	03	1	M 670						
-	A 996 642 030 01	cd-rom navigation system	-04	1	M 670	3	996 645 333 05	booster see technical information GR.9 , NR. 14/03 GR.9 , NR. 10/03	03-	1	M 680
-	996 642 030 02	cd-rom GR.9 , NR. 10/03 navigation system	05	1	M 670	4	996 645 265 00	support		1	M 680
-	A 996 642 034 01	cd-rom navigation system	04	1	(ZA) M 670	5	900 143 031 02	tapping screw 4,2 X 9,5		2	M 680
-	996 642 034 02	cd-rom see technical information GR.9 , NR. 10/03 navigation system	05	1	(ZA) M 670	6	999 507 510 02	u-clamp		2	M 680
-	996 642 035 01	cd-rom navigation system see technical information GR.9 , NR. 10/03	04	1	(SA), (AG) M 670	7	999 507 532 02	u-clamp		X	
-	A 996 642 036 01	cd-rom navigation system	04	1	(AUS) M 670	8	999 500 078 00	sheetmetal press nut M 6		X	
-	996 642 036 02	cd-rom see technical information GR.9 , NR. 10/03 navigation system	05	1	(AUS) M 670	9	900 378 188 09	hexagon-head bolt M 6 X 20		X	
-	996 642 037 01	cd-rom navigation system	04	1	M 068/M 074 M 670	10	900 380 015 09	hexagon nut M 6		2	M 680
-	996 642 037 02	cd-rom see technical information GR.9 , NR. 10/03 navigation system	05	1	M 068/M 074 M 670	11	A 996 645 140 01	cd changer CDC 4 adjustment installation attention see technical information GR.9 , NR. 2/03 GR.9 , NR. 3/03		1	M 692
3	U 996 645 333 02	booster see technical information GR.9 , NR. 2/03 GR.9 , NR. 3/03	03	1	M 680	11	> 996 645 140 02	cd changer CDC 4 adjustment installation attention see technical information GR.9 , NR. 2/03 GR.9 , NR. 3/03	/RL	1	M 692

Model	Year	MG	SG	Illustration	Restrictions	Update	12:36	25.11.2005	PORSCHE	PET	PORSCHE
996t	05	9	11	911-01		194					

Pos	Part Number	Name	Remarks	Qty	Model	Pos	Part Number	Name	Remarks	Qty	Model
11	> 997 645 140 02	cd changer CDC 4 adjustment installation attention see technical information GR.9 , NR. 2/03 GR.9 , NR. 3/03	/LL	1	M 692	-	997 612 989 00	connecting line adapater for control unit 997.646.208.04		1	M 666
12	996 645 113 00	rack cd changer		1	M 692	16	996 642 216 00	support		1	M 666
13	996 645 229 00	support	/LL	1	M 692	17	900 378 035 09	hexagon-head bolt M 6 X 16		2	M 666
(13)	996 645 230 00	support	/RL	1	M 692	18	999 073 060 02	tapping screw 4,8 X 13		4	M 666
14	N 014 128 13	oval-head screw M 5 X 8		6	M 692			antenna telephone see group 9 /11/10			
15	A 996 642 207 01	control unit telephone see technical information GR.9 , NR. 2/03 GR.9 , NR. 3/03		1	M 666	19	996 642 212 01	receiver telephone		1	M 668
15	A 996 642 207 02	control unit telephone see technical information GR.9 , NR. 2/03 GR.9 , NR. 3/03	03	1	M 666	(19)	996 642 980 14	receiver telephone leather		1	XEA
15	A 996 642 207 04	control unit telephone see technical information GR.9 , NR. 2/03 GR.9 , NR. 3/03	03	1	M 666		A11	black			
15	A 996 642 207 05	control unit telephone see technical information GR.9 , NR. 9/04		1	M 666		C51	graphite grey			
15	A 997 646 207 01	control unit telephone		1	M 666		S31	savanna			
15	A 997 646 207 02	control unit F 994S6 80740>>995S6 80189 F 994S6 71020>>995S6 70167 telephone		1	M 666 TURBO COUPE TURBO CABRIO		G11	metropole blue			
15	> 997 646 208 04	control unit telephone F 995S6 80190>> F 995S6 70168>> when required order also:		1	M 666 TURBO COUPE TURBO CABRIO	20	996 646 307 02	microphone	/LL 04	1	GT2 M 618/ M 666
							A03	black			
							C53	graphite grey			
							S33	savanna			

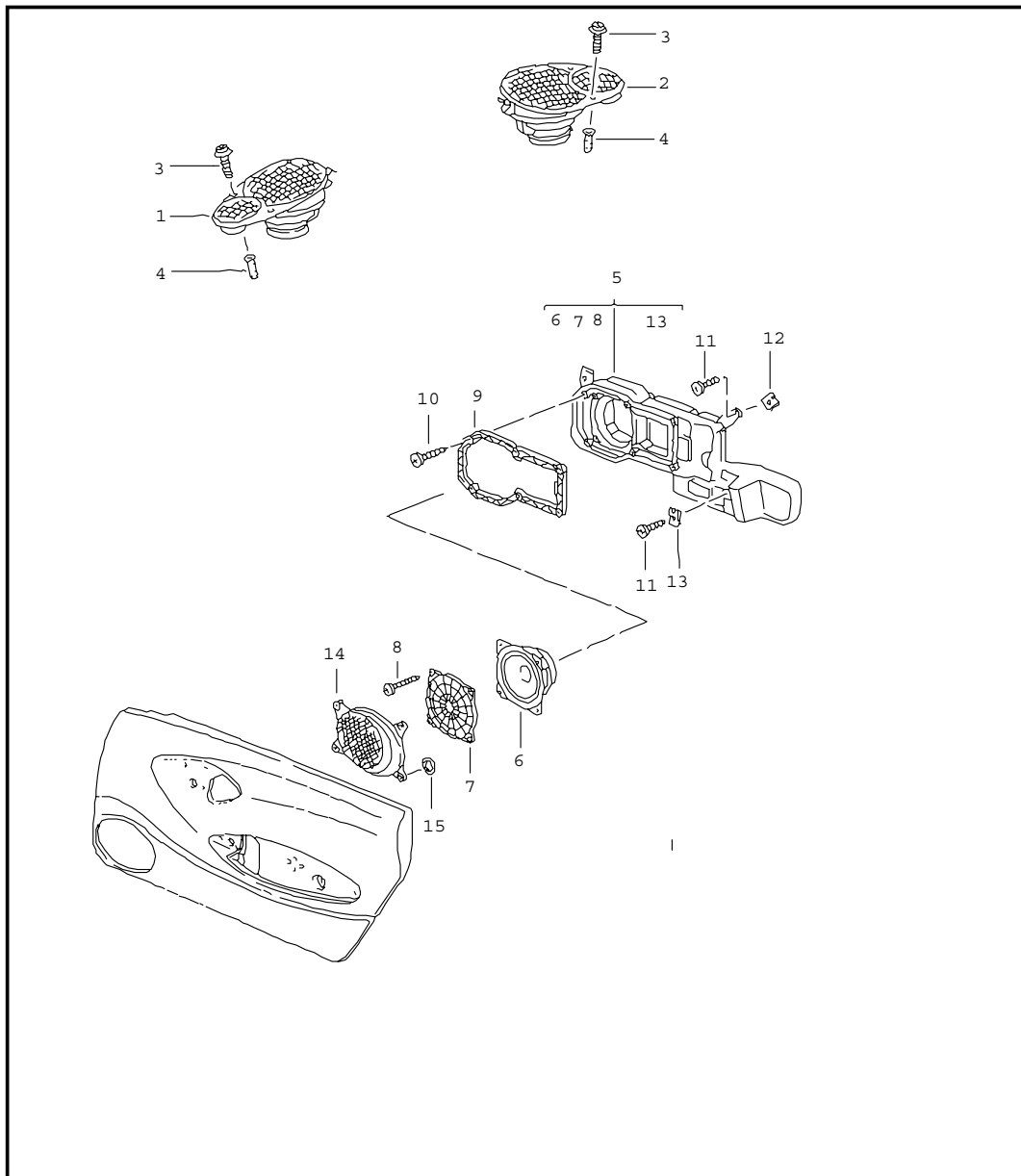
Model	Year	MG	SG	Illustration	Restrictions	Update	12:36	25.11.2005	PORSCHE	PET	PORSCHE
996t	05	9	11	911-01		194					

Pos	Part Number	Name	Remarks	Qty	Model	Pos	Part Number	Name	Remarks	Qty	Model
	G13	metropole blue				(20)	996 646 307 04	microphone	/LL	1	M 680
	J33	nephrite green					A03	black			
	M33	boxster red					C53	graphite grey			
	P13	cinnamon brown					S33	savanna			
(20)	996 646 307 03	microphone	/LL	1	M 618/M 666/ M 680		G13	metropole blue			
	A03	black					J33	nephrite green			
	C53	graphite grey					M33	boxster red			
	S33	savanna					P13	cinnamon brown			
	G13	metropole blue				(20)	996 646 308 04	microphone	/RL	1	M 680
	J33	nephrite green					A03	black			
	M33	boxster red					C53	graphite grey			
	P13	cinnamon brown					S33	savanna			
(20)	996 646 308 02	microphone	/RL 04	1	GT2 M 618/ M 666		G13	metropole blue			
	A03	black					J33	nephrite green			
	C53	graphite grey					M33	boxster red			
	S33	savanna					P13	cinnamon brown			
	G13	metropole blue				22	996 642 206 00	antenna GPS		1	M 670
	J33	nephrite green				23	996 612 009 00	connecting line antenna module navigation system		1	M 670
	M33	boxster red				24	996 647 105 00	antenna booster radio		1	M 441
	P13	cinnamon brown				25	996 612 072 01	connecting line antenna booster radio		1	M 441
(20)	996 646 308 03	microphone	/RL	1	M 618/M 666/ M 680	26	996 647 117 00	antenna booster	/L	1	M 440
	A03	black				(26)	996 647 118 00	antenna booster	/R	1	M 440
	C53	graphite grey				27	996 647 124 00	control unit		1	M 440
	S33	savanna				28	996 647 202 00	support		1	M 440
	G13	metropole blue				29	999 507 772 40	clip		1	M 440
	J33	nephrite green				30	999 507 771 40	plug		1	M 440
	M33	boxster red									
	P13	cinnamon brown									

Model	Year	MG	SG	Illustration	Restrictions	Update	12:36	25.11.2005	PORSCHE	PET	PORSCHE
996t	05	9	11	911-01		194					

Pos	Part Number	Name	Remarks	Qty	Model	Pos	Part Number	Name	Remarks	Qty	Model
31	996 612 057 00	connecting line antenna booster left control unit	/LL	1	M 665						
(31)	996 612 067 00	connecting line antenna booster left control unit	/RL	1	M 665						
(31)	996 612 056 00	connecting line antenna booster right control unit	/LL	1	M 665						
(31)	996 612 066 00	connecting line antenna booster right control unit	/RL	1	M 665						
32	996 612 058 00	connecting line control unit control part connector CURRY	/LL	1	M 665						
(32)	996 612 068 00	connecting line control unit control part connector CURRY	/RL	1	M 665						
(32)	996 612 059 00	connecting line control unit control part connector natural colours	/LL	1	M 665						
(32)	996 612 069 00	connecting line control unit control part connector natural colours	/RL	1	M 665						
		- - - E N D - - -									

Model	Year	MG	SG	Illustration	Restrictions	Update	12:36	25.11.2005	PORSCHE	PET	PORSCHE
996t	05	9	11	911-05		194					



Pos	Part Number	Name	Remarks	Qty	Model
1	996 645 037 01	loudspeaker loudspeaker M 680/MJ.02- see group 9 / 11 / 06			
		C50 graphite grey	/V/L	1	M 490
		G10 metropole blue			
		J30 nephrite green			
		M30 boxster red			
		S30 savanna			
		P10 cinnamon brown			
(1)	996 645 048 01	loudspeaker	/H/L	1	M 490
		C50 graphite grey			
		G10 metropole blue			
		J30 nephrite green			
		M30 boxster red			
		S30 savanna			
		P10 cinnamon brown			
2	996 645 038 01	loudspeaker	/V/R	1	M 490
		C50 graphite grey			
		G10 metropole blue			
		J30 nephrite green			
		M30 boxster red			
		S30 savanna			
		P10 cinnamon brown			
(2)	996 645 047 01	loudspeaker	/H/R	1	M 490
		C50 graphite grey			
		G10 metropole blue			
		J30 nephrite green			
		M30 boxster red			

Model	Year	MG	SG	Illustration	Restrictions	Update	12:36	25.11.2005	PORSCHE	PET	PORSCHE
996t	05	9	11	911-05		194					

Pos	Part Number	Name	Remarks	Qty	Model	Pos	Part Number	Name	Remarks	Qty	Model
	S30	savanna					P12	cinnamon brown			
	P10	cinnamon brown					D12	dark grey/natural			
1	996 645 037 02	loudspeaker	/V/L	1	M 490		T12	brown/natural			
	01C	satin black				(1)	996 645 981 01	loudspeaker	/V/L	1	GT2 M 441
(1)	996 645 035 02	loudspeaker	/V/L	1	GT2 M 441		VRK	black			
	01C	satin black					S31	savanna			
(1)	996 645 048 02	loudspeaker	/H/L	1	M 490		C51	graphite grey			
	01C	satin black					G11	metropole blue			
(1)	996 645 046 02	loudspeaker	/H/L	1	GT2 M 441		J31	nephrite green			
	01C	satin black					M31	boxster red			
2	996 645 038 02	loudspeaker	/V/R	1	M 490		P12	cinnamon brown			
	01C	satin black					D12	dark grey/natural			
(2)	996 645 036 02	loudspeaker	/V/R	1	GT2 M 441		T12	brown/natural			
	01C	satin black				2	996 645 984 01	loudspeaker	/V/R	1	M 490
(2)	996 645 047 02	loudspeaker	/H/R	1	M 490		VRK	black			
	01C	satin black					S31	savanna			
(2)	996 645 045 02	loudspeaker	/H/R	1	GT2 M 441		C51	graphite grey			
	01C	satin black					G11	metropole blue			
(2)	996 645 049 02	loudspeaker grille		X	GT2		J31	nephrite green			
	01C	satin black					M31	boxster red			
		loudspeaker front leather			XKL/XKM/XKN/XKP		P12	cinnamon brown			
1	996 645 983 01	loudspeaker	/V/L	1	M 490		D12	dark grey/natural			
	VRK	black				(2)	996 645 982 01	loudspeaker	/V/R	1	GT2 M 441
	S31	savanna					T12	brown/natural			
	C51	graphite grey					VRK	black			
	G11	metropole blue					S31	savanna			
	J31	nephrite green					C51	graphite grey			
	M31	boxster red					G11	metropole blue			
							J31	nephrite green			

Model	Year	MG	SG	Illustration	Restrictions	Update	12:36	25.11.2005	PORSCHE	PET	PORSCHE
996t	05	9	11	911-05		194					

Pos	Part Number	Name	Remarks	Qty	Model	Pos	Part Number	Name	Remarks	Qty	Model
	M31	boxster red					C51	graphite grey			
	P12	cinnamon brown					G11	metropole blue			
	D12	dark grey/natural					J31	nephrite green			
	T12	brown/natural					M31	boxster red			
		loudspeaker			XKL		P12	cinnamon brown			
(1)	996 645 989 05	loudspeaker	/H/L	1	M 490		D12	dark grey/natural			
	VRK	black				(2)	996 645 986 05	loudspeaker	/H/R	1	GT2 M 441
	S31	savanna					VRK	black			
	C51	graphite grey					S31	savanna			
	G11	metropole blue					C51	graphite grey			
	J31	nephrite green					G11	metropole blue			
	M31	boxster red					J31	nephrite green			
	P12	cinnamon brown					M31	boxster red			
	D12	dark grey/natural					P12	cinnamon brown			
	T12	brown/natural					D12	dark grey/natural			
(1)	996 645 987 05	loudspeaker	/H/L	1	GT2 M 441		T12	brown/natural			
	VRK	black						loudspeaker			XKM
	S31	savanna						rear			
	C51	graphite grey				(1)	996 645 989 01	loudspeaker	/H/L	1	M 490
	G11	metropole blue					A03	black			
	J31	nephrite green					C53	graphite grey			
	M31	boxster red					S33	savanna			
	P12	cinnamon brown					G13	metropole blue			
	D12	dark grey/natural					J33	nephrite green			
	T12	brown/natural					M33	boxster red			
(2)	996 645 988 05	loudspeaker	/H/R	1	M 490		P13	cinnamon brown			
	VRK	black					D12	dark grey/natural			
	S31	savanna					T12	brown/natural			

Model	Year	MG	SG	Illustration	Restrictions	Update	12:36	25.11.2005	PORSCHE	PET	PORSCHE
996t	05	9	11	911-05		194					

Pos	Part Number	Name	Remarks	Qty	Model	Pos	Part Number	Name	Remarks	Qty	Model
(2)	996 645 988 01	loudspeaker	/H/R	1	M 490		P13	cinnamon brown			
	A03	black					D12	dark grey/natural			
	C53	graphite grey					T12	brown/natural			
	S33	savanna						loudspeaker rear carbon			XKP
	G13	metropole blue									
	J33	nephrite green				(1)	996 645 989 03	loudspeaker	/H/L	1	M 490
	M33	boxster red					A03	black			
	P13	cinnamon brown					C53	graphite grey			
	D12	dark grey/natural					S33	savanna			
	T12	brown/natural					G13	metropole blue			
		loudspeaker rear dark maple rootwood			XKN		J33	nephrite green			
							M33	boxster red			
(2)	996 645 989 02	loudspeaker	/H/L	1	M 490		P13	cinnamon brown			
	A03	black					D12	dark grey/natural			
	C53	graphite grey					T12	brown/natural			
	S33	savanna				(1)	996 645 987 03	loudspeaker	/H/L	1	GT2 M 441
	G13	metropole blue					A03	black			
	J33	nephrite green					C53	graphite grey			
	M33	boxster red					S33	savanna			
	P13	cinnamon brown					G13	metropole blue			
	D12	dark grey/natural					J33	nephrite green			
	T12	brown/natural					M33	boxster red			
(2)	996 645 988 02	loudspeaker	/H/R	1	M 490		P13	cinnamon brown			
	A03	black					D12	dark grey/natural			
	C53	graphite grey					T12	brown/natural			
	S33	savanna				(2)	996 645 988 03	loudspeaker	/H/R	1	M 490
	G13	metropole blue					A03	black			
	J33	nephrite green					C53	graphite grey			
	M33	boxster red					S33	savanna			

Model	Year	MG	SG	Illustration	Restrictions	Update	12:36	25.11.2005	PORSCHE	PET	PORSCHE
996t	05	9	11	911-05		194					

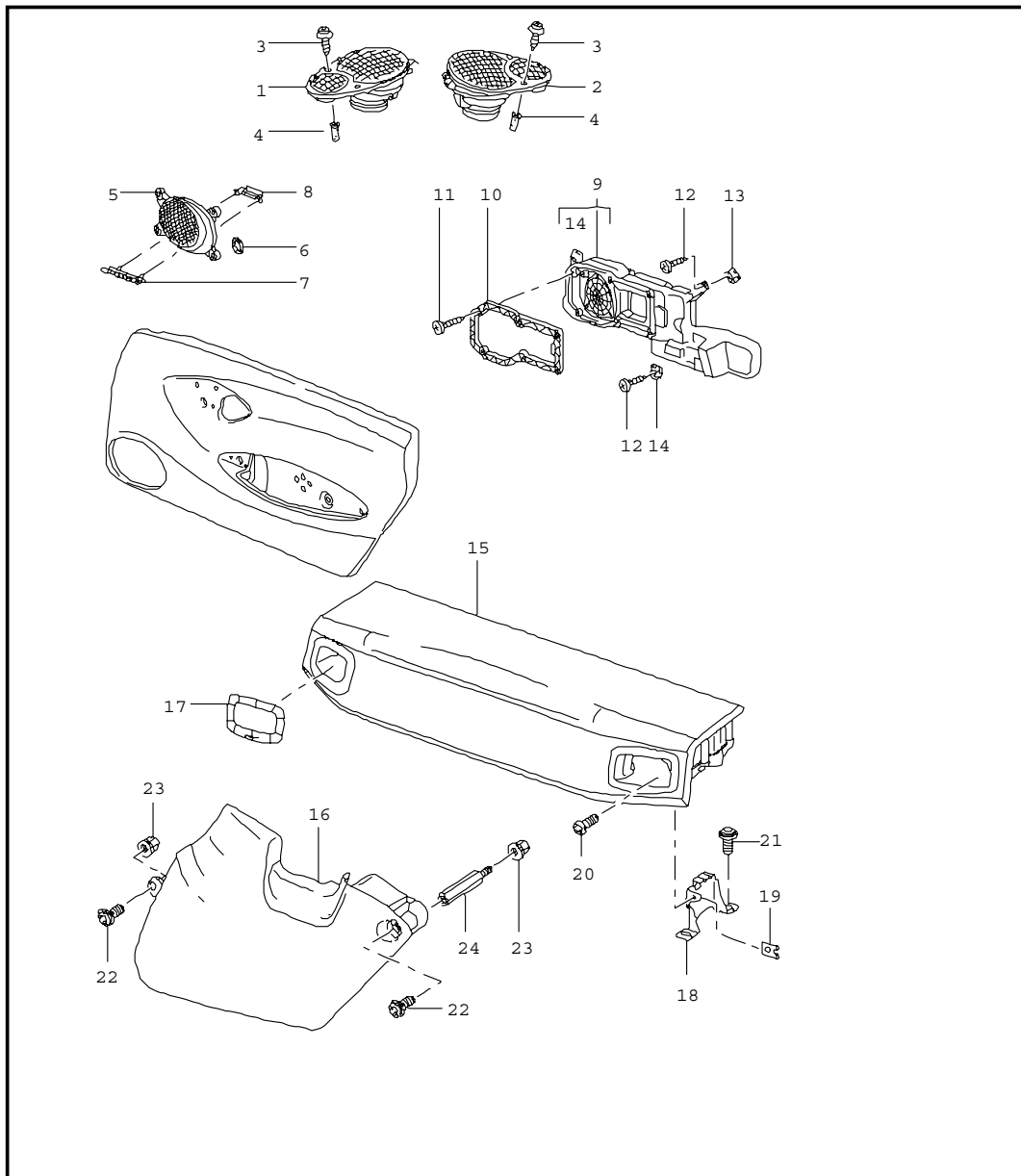
Pos	Part Number	Name	Remarks	Qty	Model	Pos	Part Number	Name	Remarks	Qty	Model
	G13	metropole blue				7	996 645 550 00	grille		2	M 490
	J33	nephrite green				(8)	999 919 176 07	oval-head screw 4,0 X 16		8	M 490
	M33	boxster red				9	996 645 553 00	frame		2	M 490
	P13	cinnamon brown				10	999 919 086 02	oval-head screw 4,0 X 14		12	M 490
	D12	dark grey/natural				11	999 073 061 02	tapping screw 4,8 X 16		8	M 490
	T12	brown/natural				12	999 591 499 02	speed nut 4,8		6	M 490
(2)	996 645 986 03	loudspeaker	/H/R	1	GT2 M 441	13	999 507 759 09	speed nut 4,8		2	M 490
	A03	black				14	996 555 801 01	loudspeaker grille		2	M 490
	C53	graphite grey					A03	black			
	S33	savanna				(14)	000 043 206 22	loudspeaker grille leather		2	M 490/XKL
	G13	metropole blue					VRK	black			
	J33	nephrite green					S31	savanna			
	M33	boxster red					C51	graphite grey			
	P13	cinnamon brown					G11	metropole blue			
	D12	dark grey/natural					J31	nephrite green			
	T12	brown/natural					M31	boxster red			
3	999 919 166 07	oval-head screw 4,0 X 30	01	8			P12	cinnamon brown			
3	999 919 166 07	oval-head screw 4,0 X 30	/H 02-	4			D12	dark grey/natural			
(3)	999 073 224 09	tapping screw 4,2 X 25	/V 02-	4			T12	brown/natural			
4	999 920 015 40	special nut 4,0	01	8		(14)	000 043 206 23	loudspeaker grille light maple rootwood	/L	1	M 490/XKM
4	999 920 015 40	special nut 4,0	/H 02-	4			A03	black			
(4)	999 507 767 02	speed nut 4,2	/V 02-	2			C53	graphite grey			
(4)	999 507 768 02	speed nut 4,2	/V 02-	2			S33	savanna			
(5)	996 645 551 00	loudspeaker	/L	1	M 490		G13	metropole blue			
5	996 645 552 00	loudspeaker	/R	1	M 490		J33	nephrite green			
6	996 645 501 00	woofer		2	M 490		M33	boxster red			

Model	Year	MG	SG	Illustration	Restrictions	Update	12:36	25.11.2005	PORSCHE	PET	PORSCHE
996t	05	9	11	911-05		194					

Pos	Part Number	Name	Remarks	Qty	Model	Pos	Part Number	Name	Remarks	Qty	Model						
(14)	000 043 206 49	P13	cinnamon brown	/R	1	M 490/XKM	J33	nephrite green									
		D12	dark grey/natural				M33	boxster red									
		T12	brown/natural				P13	cinnamon brown									
			loudspeaker grille				D12	dark grey/natural									
			light maple rootwood				T12	brown/natural									
		A03	black				(14)	000 043 206 25				loudspeaker grille	/L	1	M 490/XKP		
		C53	graphite grey													carbon	
		S33	savanna													A03	black
		G13	metropole blue													C53	graphite grey
		J33	nephrite green													S33	savanna
M33	boxster red	G13	metropole blue														
P13	cinnamon brown	J33	nephrite green														
D12	dark grey/natural	M33	boxster red														
T12	brown/natural	P13	cinnamon brown														
(14)	000 043 206 24		loudspeaker grille	/L	1	M 490/XKN			D12	dark grey/natural							
			dark maple rootwood				T12	brown/natural									
		A03	black				(14)	000 043 206 51	loudspeaker grille	/R		1	M 490/XKP				
		C53	graphite grey											carbon			
		S33	savanna											A03	black		
		G13	metropole blue											C53	graphite grey		
		J33	nephrite green											S33	savanna		
		M33	boxster red											G13	metropole blue		
		P13	cinnamon brown											J33	nephrite green		
		D12	dark grey/natural											M33	boxster red		
T12	brown/natural	P13	cinnamon brown														
(14)	000 043 206 50		loudspeaker grille	/R	1	M 490/XKN					D12			dark grey/natural			
			dark maple rootwood				T12	brown/natural									
		A03	black				15	999 591 946 02	clamping washer		8	M 490					
		C53	graphite grey														
		S33	savanna														
G13	metropole blue																

- - - E N D - - -

Model	Year	MG	SG	Illustration	Restrictions	Update	12:37	25.11.2005	PORSCHE	PET	PORSCHE
996t	05	9	11	911-06		194					



Pos	Part Number	Name	Remarks	Qty	Model
1	996 645 033 00	loudspeaker	02-	1	M 680
		loudspeaker	/V/L		M 680
		C50	graphite grey		
		G10	metropole blue		
		J30	nephrite green		
		M30	boxster red		
(1)	996 645 044 00	loudspeaker	/H/L	1	COUPE M 680
			/H/R 04-		CABRIO M 680
		C50	graphite grey		
		G10	metropole blue		
		J30	nephrite green		
		M30	boxster red		
2	996 645 034 00	loudspeaker	/V/R	1	M 680
		C50	graphite grey		
		G10	metropole blue		
		J30	nephrite green		
		M30	boxster red		
		S30	savanna		
(2)	996 645 043 00	loudspeaker	/H/R	1	COUPE M 680
			/H/L 04-		CABRIO M 680
		C50	graphite grey		
		G10	metropole blue		
		J30	nephrite green		
		S30	savanna		

Model	Year	MG	SG	Illustration	Restrictions	Update	12:37	25.11.2005	PORSCHE	PET	PORSCHE
996t	05	9	11	911-06		194					

Pos	Part Number	Name	Remarks	Qty	Model	Pos	Part Number	Name	Remarks	Qty	Model
	P10	cinnamon brown					P12	cinnamon brown			
1	996 645 033 01	loudspeaker	/V/L	1	M 680		D12	dark grey/natural			
	01C	satin black					T12	brown/natural			
(1)	996 645 044 01	loudspeaker	/H/L /H/R 04-	1	COUPE M 680 CABRIO M 680			loudspeaker rear leather			XKL
	01C	satin black									
2	996 645 034 01	loudspeaker	/V/R	1	M 680	(1)	996 645 989 06	loudspeaker	/H/L /H/R 04-	1	COUPE M 680 CABRIO M 680
	01C	satin black					VRK	black			
(2)	996 645 043 01	loudspeaker	/H/R /H/L 04-	1	COUPE M 680 CABRIO M 680		S31	savanna			
	01C	satin black					C51	graphite grey			
		loudspeaker front leather			XKL/XKM/XKN/ XKP		G11	metropole blue			
1	996 645 983 02	loudspeaker	/V/L	1	M 680		J31	nephrite green			
	VRK	black					M31	boxster red			
	S31	savanna					P12	cinnamon brown			
	C51	graphite grey					D12	dark grey/natural			
	G11	metropole blue					T12	brown/natural			
	J31	nephrite green				(2)	996 645 988 06	loudspeaker	/H/R /H/L 04-	1	COUPE M 680 CABRIO M 680
	M31	boxster red					VRK	black			
	P12	cinnamon brown					S31	savanna			
	D12	dark grey/natural					C51	graphite grey			
	T12	brown/natural					G11	metropole blue			
2	996 645 984 02	loudspeaker	/V/R	1	M 680		J31	nephrite green			
	VRK	black					M31	boxster red			
	S31	savanna					P12	cinnamon brown			
	C51	graphite grey					D12	dark grey/natural			
	G11	metropole blue					T12	brown/natural			
	J31	nephrite green						loudspeaker rear light maple rootwood			XKM
	M31	boxster red				(1)	996 645 989 07	loudspeaker	/H/L /H/R 04-	1	COUPE M 680 CABRIO M 680

Model	Year	MG	SG	Illustration	Restrictions	Update	12:37	25.11.2005	PORSCHE	PET	PORSCHE
996t	05	9	11	911-06		194					

Pos	Part Number	Name	Remarks	Qty	Model	Pos	Part Number	Name	Remarks	Qty	Model
	A03	black					P13	cinnamon brown			
	C53	graphite grey					D12	dark grey/natural			
	S33	savanna					T12	brown/natural			
	G13	metropole blue				(2)	996 645 988 08	loudspeaker	/H/R /H/L 04-	1	COUPE M 680 CABRIO M 680
	J33	nephrite green					A03	black			
	M33	boxster red					C53	graphite grey			
	P13	cinnamon brown					S33	savanna			
	D12	dark grey/natural					G13	metropole blue			
	T12	brown/natural					J33	nephrite green			
(2)	996 645 988 07	loudspeaker	/H/R /H/L 04-	1	COUPE M 680 CABRIO M 680		M33	boxster red			
	A03	black					P13	cinnamon brown			
	C53	graphite grey					D12	dark grey/natural			
	S33	savanna					T12	brown/natural			
	G13	metropole blue						loudspeaker rear carbon			XKP
	J33	nephrite green				(1)	996 645 989 09	loudspeaker	/H/L /H/R 04-	1	COUPE M 680 CABRIO M 680
	M33	boxster red					A03	black			
	P13	cinnamon brown					C53	graphite grey			
	D12	dark grey/natural					S33	savanna			
	T12	brown/natural					G13	metropole blue			
		loudspeaker rear dark maple rootwood			XKN		J33	nephrite green			
(1)	996 645 989 08	loudspeaker	/H/L /H/R 04-	1	COUPE M 680 CABRIO M 680		M33	boxster red			
	A03	black					P13	cinnamon brown			
	C53	graphite grey					D12	dark grey/natural			
	S33	savanna					T12	brown/natural			
	G13	metropole blue				(2)	996 645 988 09	loudspeaker	/H/R /H/L 04-	1	COUPE M 680 CABRIO M 680
	J33	nephrite green					A03	black			
	M33	boxster red					C53	graphite grey			

Model	Year	MG	SG	Illustration	Restrictions	Update	12:37	25.11.2005	PORSCHE	PET	PORSCHE
996t	05	9	11	911-06		194					

Pos	Part Number	Name	Remarks	Qty	Model	Pos	Part Number	Name	Remarks	Qty	Model
	S33	savanna					C53	graphite grey			
	G13	metropole blue					S33	savanna			
	J33	nephrite green					G13	metropole blue			
	M33	boxster red					J33	nephrite green			
	P13	cinnamon brown					M33	boxster red			
	D12	dark grey/natural					P13	cinnamon brown			
	T12	brown/natural					D12	dark grey/natural			
3	999 919 166 07	oval-head screw 4,0 X 30	/H	4			T12	brown/natural			
(3)	999 073 224 09	tapping screw 4,2 X 25	/V	4		(5)	000 043 206 49	loudspeaker grille light maple rootwood	/R	1	M 680/XKM
4	999 920 015 40	special nut 4,0	/H	4			A03	black			
(4)	999 507 767 02	speed nut 4,2	/V	2			C53	graphite grey			
(4)	999 507 768 02	speed nut 4,2	/V	2			S33	savanna			
5	996 555 801 01	loudspeaker grille		2	M 680		G13	metropole blue			
	A03	black					J33	nephrite green			
(5)	000 043 206 22	loudspeaker grille leather		2	M 680/XKL		M33	boxster red			
	VRK	black					P13	cinnamon brown			
	S31	savanna				(5)	000 043 206 24	loudspeaker grille dark maple rootwood	/L	1	M 680/XKN
	C51	graphite grey					T12	brown/natural			
	G11	metropole blue					A03	black			
	J31	nephrite green					C53	graphite grey			
	M31	boxster red					S33	savanna			
	P12	cinnamon brown					G13	metropole blue			
	D12	dark grey/natural					J33	nephrite green			
	T12	brown/natural					M33	boxster red			
(5)	000 043 206 23	loudspeaker grille light maple rootwood	/L	1	M 680/XKM		P13	cinnamon brown			
	A03	black					D12	dark grey/natural			
							T12	brown/natural			

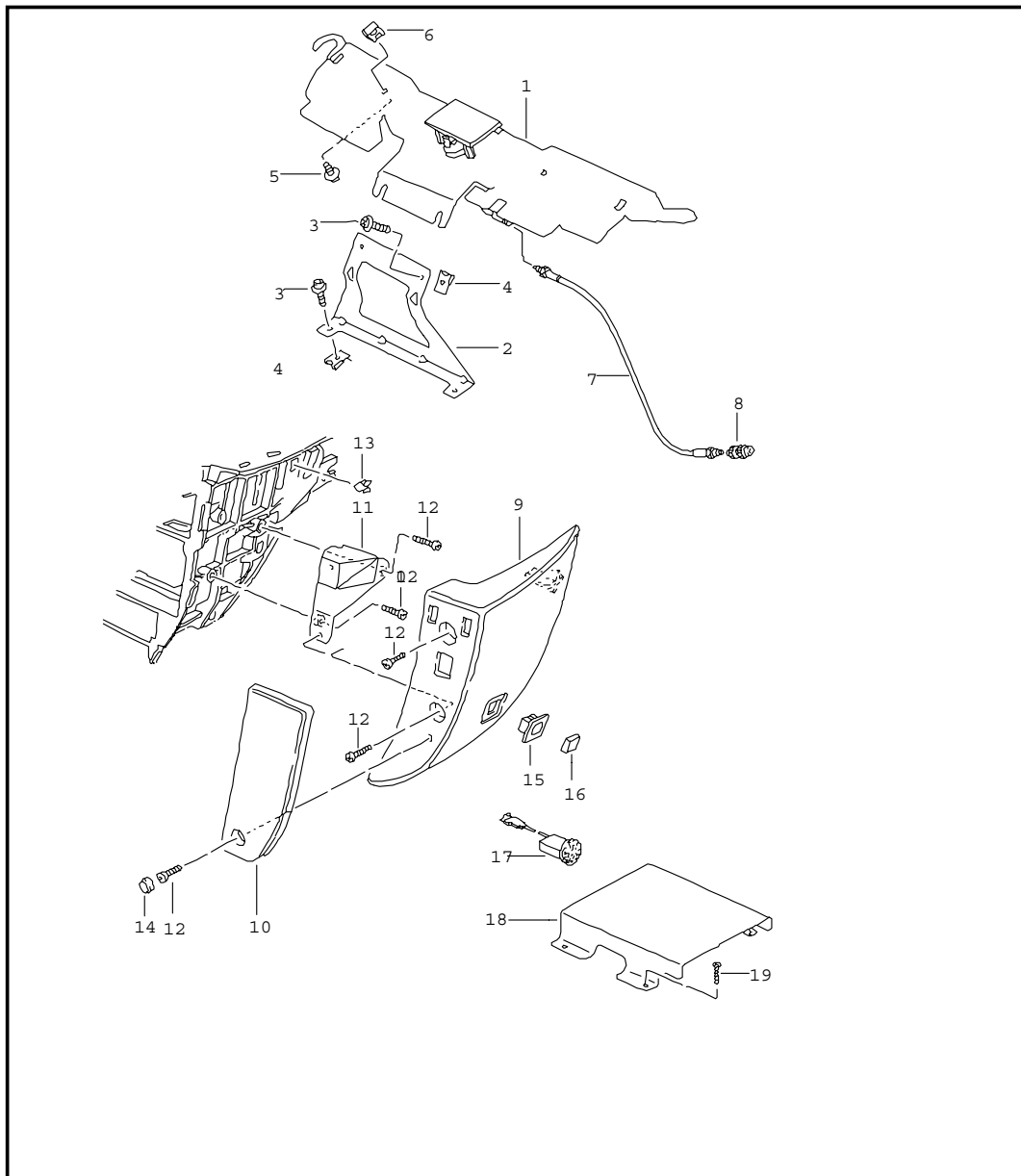
Model	Year	MG	SG	Illustration	Restrictions	Update	12:37	25.11.2005	PORSCHE	PET	PORSCHE
996t	05	9	11	911-06		194					

Pos	Part Number	Name	Remarks	Qty	Model	Pos	Part Number	Name	Remarks	Qty	Model
(5)	000 043 206 50	loudspeaker grille dark maple rootwood	/R	1	M 680/XKN		D12	dark grey/natural			
	A03	black					T12	brown/natural			
	C53	graphite grey				6	999 591 946 02	clamping washer 5,0		8	M 680
	S33	savanna				7	996 645 511 00	logo		2	M 680
	G13	metropole blue				8	996 645 512 00	clip		2	M 680
	J33	nephrite green				9	996 645 561 00	loudspeaker	/L	1	M 680
	M33	boxster red				(9)	996 645 562 00	loudspeaker	/R	1	M 680
	P13	cinnamon brown				10	996 645 553 00	frame		2	M 680
	D12	dark grey/natural				11	999 919 086 02	oval-head screw 4,0 X 14		12	M 680
	T12	brown/natural				12	999 073 061 02	tapping screw 4,8 X 16		8	M 680
(5)	000 043 206 25	loudspeaker grille carbon	/L	1	M 680/XKP	13	999 591 499 02	speed nut 4,8		6	M 680
	A03	black				14	999 507 759 09	speed nut 4,8		2	M 680
	C53	graphite grey						subwoofer			M 680
	S33	savanna				15	996 645 564 00	subwoofer	/H	1	COUPE M 680
	G13	metropole blue					FFB	black			
	J33	nephrite green					FFC	graphite grey			
	M33	boxster red					FFD	savanna			
	P13	cinnamon brown					FFE	metropole blue			
	D12	dark grey/natural					FFG	nephrite green			
	T12	brown/natural					FFH	boxster red			
(5)	000 043 206 51	loudspeaker grille carbon	/R	1	M 680/XKP		FFJ	cinnamon brown			
	A03	black					VSP	dark grey/natural			
	C53	graphite grey					VSQ	brown/natural			
	S33	savanna				16	996 645 567 00	subwoofer	/LL 04-	1	CABRIO M 680
	G13	metropole blue					A10	black			
	J33	nephrite green					C50	graphite grey			
	M33	boxster red					S30	savanna			
	P13	cinnamon brown									

Model	Year	MG	SG	Illustration	Restrictions	Update	12:37	25.11.2005	PORSCHE	PET	PORSCHE
996t	05	9	11	911-06		194					

Pos	Part Number	Name	Remarks	Qty	Model	Pos	Part Number	Name	Remarks	Qty	Model
	G10	metropole blue				21	900 380 015 09	hexagon nut VM 6		4	COUPE M 680
	J30	nephrite green				22	999 073 223 07	oval-head screw M 6,0 X 25	04-	2	CABRIO M 680
	M30	boxster red				23	999 500 069 02	blind rivet nut M 6/0,5 - 3	04-	2	CABRIO M 680
	P11	cinnamon brown				24	999 061 272 36	spacer bolt M 6 X 82,5	04-	1	CABRIO M 680
	D11	dark grey/natural									
	T11	brown/natural									
(16)	996 645 566 00	subwoofer	/RL 04-	1	CABRIO M 680						
	A10	black									
	C50	graphite grey									
	S30	savanna									
	G10	metropole blue									
	J30	nephrite green									
	M30	boxster red									
	P11	cinnamon brown									
	D11	dark grey/natural									
	T11	brown/natural									
								- - - E N D - - -			
17	996 645 568 00	rose	/H	2	COUPE M 680						
	A10	black									
	C50	graphite grey									
	S30	savanna									
	G10	metropole blue									
	J30	nephrite green									
	M30	boxster red									
	P10	cinnamon brown									
(18)	996 645 245 00	support	/L	1	COUPE M 680						
18	996 645 246 00	support	/R	1	COUPE M 680						
19	999 507 766 02	speed nut M 6		2	COUPE M 680						
20	999 073 113 09	oval-head screw M 6,0 X 50 ASP		2	COUPE M 680						

Model	Year	MG	SG	Illustration	Restrictions	Update	12:37	25.11.2005	PORSCHE	PET	PORSCHE
996t	05	9	11	911-10		194					



Pos	Part Number	Name	Remarks	Qty	Model
		preparation for telephone			M 618
1	996 647 125 00	antenna	/LL	1	
(1)	996 647 126 00	antenna	/RL	1	
2	996 647 127 00	support POS. 3 + 4 attention	/LL -04	1	
(2)	997 647 127 00	support POS. 3 + 4 attention	/LL 04-	1	
(2)	996 647 128 00	support POS. 3 + 4 attention	/RL -04	1	
(2)	997 647 128 00	support POS. 3 + 4 attention	/RL 04-	1	
3	999 073 203 00	round head screw M 5 X 12 - Z2 for support 996.647.127/128.00	-04	4	
3	999 073 236 0A	oval-head screw M 6 X 10 for support 997.647.127/128.00	04-	4	
4	999 507 067 09	speed nut M 5 for support 996.647.127/128.00	-04	4	
4	999 507 550 0A	speed nut M 6 for support 997.647.127/128.00	04-	4	
5	999 073 210 00	tapping screw 4,8 X 13		2	
6	999 507 441 02	speed nut 4,8		2	
7	996 612 037 00	extension cable		1	M 618
(7)	996 612 007 00	extension cable	03-	1	M 666
8	964 646 318 00	adapter plug	/LL	1	M 618

Model	Year	MG	SG	Illustration	Restrictions	Update	12:37	25.11.2005	PORSCHE	PET	PORSCHE
996t	05	9	11	911-10		194					

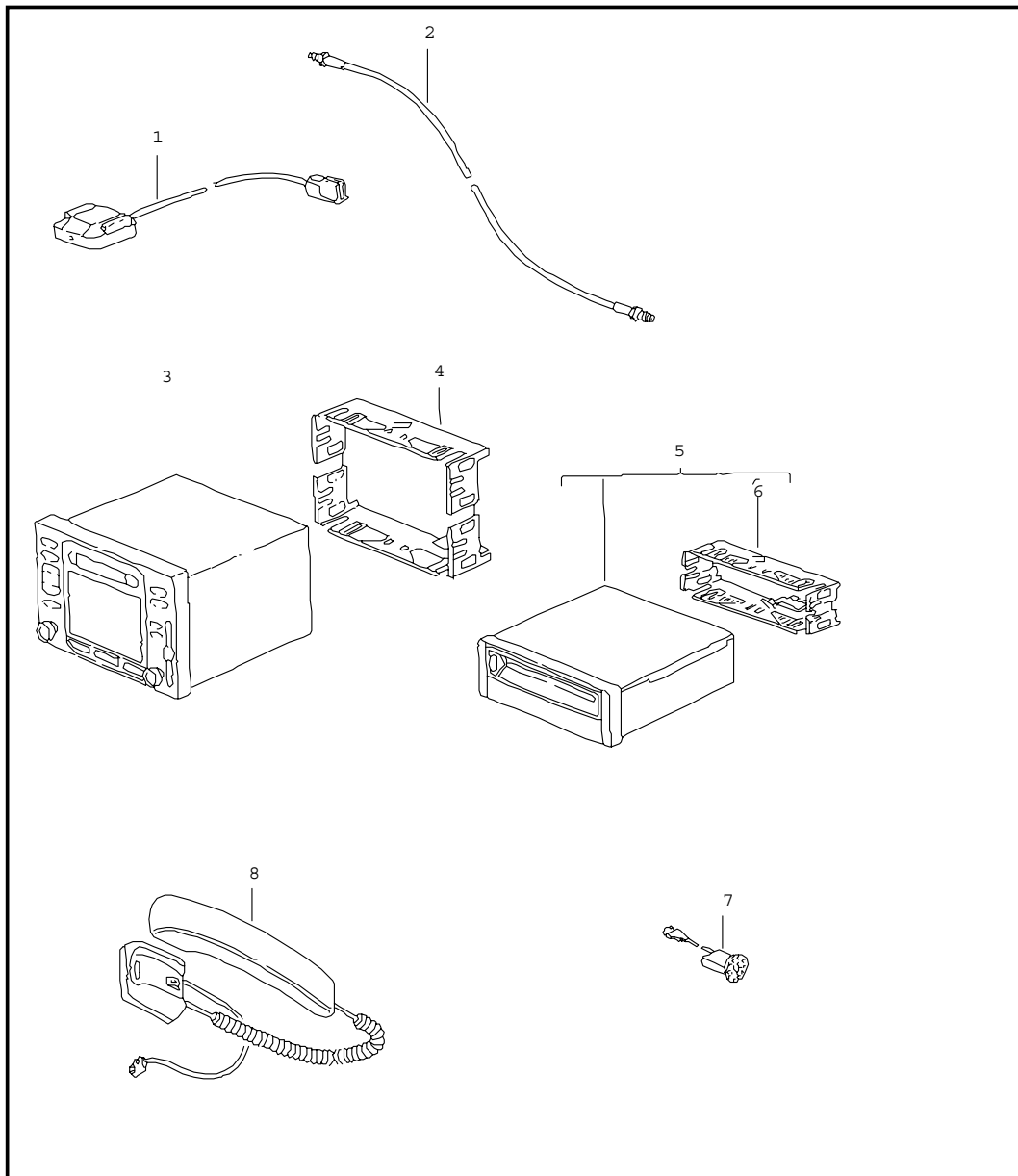
Pos	Part Number	Name	Remarks	Qty	Model	Pos	Part Number	Name	Remarks	Qty	Model
(8)	996 646 318 00	adapter plug	/RL	1	M 618		S31	savanna			
9	996 552 094 03	bracket leather	/LL	1			G11	metropole blue			
	A11	black					J31	nephrite green			
	C51	graphite grey					M31	boxster red			
	S31	savanna					P12	cinnamon brown			
	J31	nephrite green					D12	dark grey/natural			
	M31	boxster red					T12	brown/natural			
	G11	metropole blue				(10)	996 552 979 01	attachment leather	/RL	1	XEA
	P12	cinnamon brown					A11	black			
	D12	dark grey/natural					C51	graphite grey			
	T12	brown/natural					S31	savanna			
(9)	996 552 093 03	bracket leather	/RL	1			G11	metropole blue			
	A11	black					J31	nephrite green			
	C51	graphite grey					M31	boxster red			
	S31	savanna					P12	cinnamon brown			
	J31	nephrite green					D12	dark grey/natural			
	M31	boxster red					T12	brown/natural			
	G11	metropole blue				11	996 552 624 02	adapter		1	
	P12	cinnamon brown				-	996 552 582 00	filler piece bracket telephone	/LL	1	
	D12	dark grey/natural					01C	satin black			
	T12	brown/natural				-	996 552 581 00	filler piece bracket telephone	/RL	1	
10	996 552 298 00	attachment	/LL	1			01C	satin black			
(10)	996 552 297 00	attachment	/RL	1		12	999 919 121 09	oval-head screw 5,0 X 16		6	
	01C	satin black				13	999 507 476 01	clamp 8,0 X 10,2		3	
10	996 552 979 00	attachment leather	/LL	1	XEA	14	996 552 824 00	cap		1	
	A11	black					01C	satin black			
	C51	graphite grey									

Model	Year	MG	SG	Illustration	Restrictions	Update	12:37	25.11.2005	PORSCHE	PET	PORSCHE
996t	05	9	11	911-10		194					

Pos	Part Number	Name	Remarks	Qty	Model	Pos	Part Number	Name	Remarks	Qty	Model
14	996 552 978 00	cap leather		1	XEA		A03	black			
	A11	black					C53	graphite grey			
	C51	graphite grey					S33	savanna			
	S31	savanna					G13	metropole blue			
	G11	metropole blue					J33	nephrite green			
	J31	nephrite green					M33	boxster red			
	M31	boxster red					P13	cinnamon brown			
	P12	cinnamon brown				(17)	996 646 308 02	microphone	/RL 02	1	
	D12	dark grey/natural					A03	black			
	T12	brown/natural					C53	graphite grey			
15	996 646 125 01	frame		1			S33	savanna			
16	996 646 126 00	cover		1			G13	metropole blue			
17	996 646 307 01	microphone	/LL 01	1			J33	nephrite green			
	A03	black					M33	boxster red			
	C53	graphite grey					P13	cinnamon brown			
	S33	savanna				18	996 646 235 01	support		1	M 618
	G13	metropole blue				19	999 073 060 02	tapping screw 4,8 X 13		4	M 618
	J33	nephrite green				-	996 521 663 01	stop seat rail inner		1	M 437/M 438
	M33	boxster red				-	996 521 665 00	stop seat rail inner		1	M 375/M 376 M 539/M 540
(17)	996 646 308 01	microphone	/RL 01	1							
	A03	black									
	C53	graphite grey									
	S33	savanna									
	G13	metropole blue									
	J33	nephrite green									
	M33	boxster red									
	P13	cinnamon brown									
(17)	996 646 307 02	microphone	/LL 02	1							

- - - E N D - - -

Model	Year	MG	SG	Illustration	Restrictions	Update	12:37	25.11.2005	PORSCHE	PET	PORSCHE
996t	05	9	11	911-15		194					



Pos	Part Number	Name	Remarks	Qty	Model
		navigation system receiver	-02 -02		M 662 M 663
		see technical information GR.9 , NR.2/02			
		antenna telephone see group 9 /11/10			
1	996 642 206 00	antenna - GPS -		1	
2	996 612 038 00	extension cable telephone		1	
(2)	996 612 970 01	extension cable - GPS -		1	
(3) >	996 642 904 04	control part	01	1	
	EFR	gloss black electronic mail GR.9 , 2A/00			
(3) >	996 642 944 00	control part	02	1	
	EWD	black mat			
4	996 642 103 01	retaining frame		1	
(5) >	996 642 122 01	computer	01	1	
	EFR	gloss black F >>991S6 82634			
		cd-rom for computer 996.642.122.01.EFR			
-	996 642 131 06	cd-rom		1	M 499
-	996 642 132 06	cd-rom		1	M 124
-	996 642 133 06	cd-rom		1	M 061
-	996 642 134 06	cd-rom		1	M 111/M 277
-	996 642 135 06	cd-rom		1	M 063/M 064/M 225
-	996 642 136 06	cd-rom		1	M 119
-	996 642 137 06	cd-rom		1	M 062
-	996 642 138 06	cd-rom		1	M 034

Model	Year	MG	SG	Illustration	Restrictions	Update	12:37	25.11.2005	PORSCHE	PET	PORSCHE
996t	05	9	11	911-15		194					

Pos	Part Number	Name	Remarks	Qty	Model	Pos	Part Number	Name	Remarks	Qty	Model
(5)	> 996 642 122 03	computer	01	1			S33	savanna			
	EFR	gloss black F 991S6 82635>>					G13	metropole blue			
(5)	> 996 642 122 12	computer	02	1			J33	nephrite green			
	EWD	black mat					M33	boxster red			
		cd-rom for computer 996.642.122.03.EFR 996.642.122.12.EWD				(7)	996 646 307 02	microphone	/LL 02	1	
-	996 642 131 07	cd-rom		1	M 499		A03	black			
-	996 642 132 07	cd-rom replacement see catalogue tequipment		1	M 124		C53	graphite grey			
-	996 642 133 07	cd-rom		1	M 061		S33	savanna			
-	996 642 134 07	cd-rom		1	M 111/M 277		G13	metropole blue			
-	996 642 135 07	cd-rom		1	M 063/M 064/ M 225	(7)	996 646 308 02	microphone	/RL 02	1	
-	996 642 136 07	cd-rom		1	M 119		A03	black			
-	996 642 137 07	cd-rom		1	M 062		C53	graphite grey			
-	996 642 138 07	cd-rom		1	M 034		S33	savanna			
6	993 645 173 00	retaining frame		1			G13	metropole blue			
7	996 646 307 01	microphone	/LL 01	1			J33	nephrite green			
	A03	black					M33	boxster red			
	C53	graphite grey					P13	cinnamon brown			
	S33	savanna				8	996 642 111 01	receiver		1	M 663
	G13	metropole blue				8	996 642 980 00	receiver leather		1	XEA
	J33	nephrite green					A11	black			
	M33	boxster red					C51	graphite grey			
	P13	cinnamon brown					S31	savanna			
(7)	996 646 308 01	microphone	/RL 01	1			G11	metropole blue			
	A03	black					J31	nephrite green			
	C53	graphite grey					M31	boxster red			

Model	Year	MG	SG	Illustration	Restrictions	Update	12:37	25.11.2005	PORSCHE	PET	PORSCHE
996t	05	9	11	911-15		194					

Pos	Part Number	Name	Remarks	Qty	Model	Pos	Part Number	Name	Remarks	Qty	Model
	P12	cinnamon brown									
	D12	dark grey/natural									
	T12	brown/natural									
		bracket									
		see group									
		9 /11/10									
		stop									
		seat rail									
		see group									
		9 /11/10									
		- - - E N D - - -									

M000 ! SUMMARY OF OPTIONAL EXTRAS "M!"
M014 SPORT PACKAGE 996
M024 VERSION FOR GREECE
M030 SPORT-TYPE RUNNING GEAR
M032 TOURING SUSPENSION
M034 VERSION FOR ITALY
M058 IMPACT ABSORBERS FRONT AND REAR
M061 VERSION FOR GREAT BRITAIN
M062 VERSION FOR SWEDEN
M063 VERSION LUXEMBURG
M064 VERSION FOR NETHERLANDS
M065 VERSION FOR DENMARK
M066 VERSION FOR NORWAY
M067 VERSION FOR FINLAND
M068 VERSION FOR THAILAND
M069 OTHER COUNTRY VERSION
M071 EU COUNTRY VERSION
M072 VERSION FOR MEXICO
M073 VERSION FOR RUSSIA
M092 SPECIAL MODEL TURBO S
M101 ENGINE PARTS 996 GT2
M111 VERSION FOR AUSTRIA
M113 VERSION FOR CANADA
M114 VERSION FOR TAIWAN
M119 VERSION FOR SPAIN
M124 VERSION FOR FRANCE
M126 CONTROL AND INDICATIONS IN FRENCH LETTERING
M127 CONTROL AND INDICATIONS IN SCHWEDISCH
M130 CONTROL AND INDICATIONS IN ENGLISH LETTERING
M139 SEAT HEATING SYSTEM, LEFT SEAT
M150 OPERATES WITH LEADED GAS
M152 FUEL COOLER
M193 VERSION FOR JAPAN
M197 STRONGER BATTERY
M215 VERSION FOR SAUDI ARABIA
M219 DIFFERENTIAL
M220 LOCKING DIFFERENTIAL
M222 TRACTION CONTROL SYSTEM
M224 AUTOMATIC LIMITED SLIP DIFFERENTIAL
M225 VERSION FOR BELGIUM
M249 TIPTRONIC TRANSMISSION
M265 AUTOMATIC ANTI-DAZZLE INTERIOR MIRROR WITH RAIN SENSOR
M266 AUTOMATIC ANTI-DAZZLE EXTERIOR MIRROR
M270 OUTSIDE MIRROR -PLAN- DRIVER'S SIDE, ELECTRICALLY ADJUSTABLE AND HEATABLE
M271 OUTSIDE MIRROR -ASPHERICAL- DRIVER'S SIDE, ELECTRICALLY ADJUSTABLE AND HEATABLE
M273 OUTSIDE MIRROR, ELECTRICALLY ADJUSTABLE AND HEATABLE
M274 MAKE-UP MIRROR ILLUMINATED
M277 VERSION FOR SWITZERLAND
M288 HEADLAMP WASHER
M320 RADIO "PORSCHE CR-11"

M321 RADIO "PORSCHE CR 22"
M322 RADIO "PORSCHE DR 220"
M325 VERSION FOR SOUTH AFRICA/NEW ZEALAND
M326 RADIO "PORSCHE CR-21"
M327 RADIO "PORSCHE CR 2200"
M329 RADIO "PORSCHE CR-210"
M330 RADIO "PORSCHE CR-31"
M335 AUTOMATICAL SAFETY BELT, 3-POINT, REAR
M338 REAR-WHEEL DRIVE
M339 4-WHEEL DRIVE
M340 SEAT HEATING SYSTEM, RIGHT SEAT
M342 SEAT HEATING SYSTEM, LEFT/RIGHT SEAT
M369 SERIES SEAT, LEFT
M370 SERIES SEAT, RIGHT
M375 SPORTSEAT, BACKREST SHELL, LEFT
M376 SPORTSEAT, BACKREST SHELL, RIGHT
M396 CAST WHEEL, 17 INCHES
M399 17" CARRERA-4-WHEEL
M410 18" TURBO 2 WHEEL
M413 18" TURBO-LOOK-WHEEL
M415 18" MONOBLOC WHEEL TOP
M416 WHEEL, GT3 18"
M418 18" TURBO 2 WHEEL, GT SILVER METALLIC
M421 FRONT CASSETTE COMPARTMENT
M422 REAR CASSETTE COMPARTMENT
M424 CD COMPARTMENT
M425 REAR WINDOW WIPER
M426 WITHOUT REAR WINDOW WIPER
M432 STEERING WHEEL WITH TIPTRONIC CONTROL
M436 3-SPOKE AIRBAG STEERING WHEEL
M437 COMFORT SEAT LEFT, ELECTRICALLY ADJUSTABLE
M438 COMFORT SEAT RIGHT, ELECTRICALLY ADJUSTABLE
M439 ELECTRICAL ROOF CATCH
M440 MANUAL ANTENNA, 4 LOUDSPEAKERS -> MJ 2002
MJ 2003 -> ANTENNA DIVERSITY
M441 PREPARED FOR RADIO
M446 CONCAVE HUB CAPE WITH COLOURED ESCUTCHEON
M449 CAST STEEL BRAKE GT2
M450 CERAMIC BRAKE (PCCB)
M454 AUTOMATIC SPEED CONTROL
M465 REAR FOGLAMP, LEFT
M466 REAR FOGLAMP, RIGHT
M476 PORSCHE STABILITY MANAGEMENT (PSM)
M479 VERSION FOR AUSTRALIA
M480 6-SPEED MANUAL TRANSMISSION
M484 VERSION FOR USA
M488 INSCRIPTIONS IN GERMAN LANGUAGE
M490 -MJ 01 SOUND SYSTEM
MJ 02- SOUND SYSTEM HARMANN ANALOG
M492 FOR LEFT-HAND TRAFFIC

M498 WITHOUT VEHICLE-TYPE-LETTERING ON REAR END
M499 VERSION FOR GERMANY
M509 FIRE EXTINGUISHER
M513 BACK-SUPPORT (LORDOSE) RIGHT SEAT
M532 DELETED REMOTE CONTROL ANTI-THEFT DEVICE
M533 RADIO CONVERTIBLE-TOP OPERATION OMITTED
M534 THEFT SECURITY SYSTEM
M535 ANTI-THEFT LOCK 315 MHZ
M536 ALARM SIREN AND TILT SENSOR
M537 SEATING POSITION CONTROL FOR CONFORT SEAT, LEFT
M538 SEATING POSITION CONTROL FOR CONFORT SEAT, RIGHT
M539 MECHANICAL SEAT-HEIGHT ADJUSTMENT LEFT
M540 MECHANICAL SEAT-HEIGHT ADJUSTMENT RIGHT
M549 ROOF RACK SYSTEM
M550 HARDTOP
M551 WIND DEFLECTOR
M553 VERSION FOR USA, CANADA
M562 AIRBAGDRIVER'S SIDE AND FRONT PASSENGER'S SIDE
M563 SIDE AIRBAG
M566 FOG-HEADLAMPS, WHITE
M567 WINDSHIELD TINTED, UPPER PART DARKER COLOURED
M571 ACTIVATED CHARCOAL FILTER
M573 AIR CONDITIONER
M574 WITHOUT AIR CONDITIONER
M580 NON-SMOKER'S PACKAGE
M581 CENTER CONSOLE FRONT
M586 BACK-SUPPORT (LORDOSE) LEFT SEAT
M590 POWER LID LOCKING
M601 XENON LIGHT
M602 ARAISED STOP LAMP
M605 HEADLIGHT VERTICAL AIM CONTROL
M606 DAYTIME RUNNING LAMP
M614 PRPARATION OF TELEPHONE INSTALLATION MOTOROLA 2200
M618 PREPARATION OF TELEPHONE INSTALLATION
M620 E-ACCELERATOR
M635 PARKING ASSISTENT
M650 ELECTRICAL SLIDING ROOF
M651 ELECTRIC WINDOW OPENER
M657 POWER ASSISTED STEERING
M659 COMPUTER
M660 OBD 2
M661 STRICTER EMISSION-CONTROL CONCEPT
M662 INFO/NAVIGATION SYSTEM
M663 HANDS-FREE RECEIVER
M664 ORVR
M665 PCM2 BASIC MODULE INCLUDING RADIO
M666 PCM2 TELEPHONE (GSM)
M668 PCM2 TELEPHONE HANDSET
M670 PCM2 NAVIGATION
M680 -MJ 01 DIGITAL SOUND PACKAGE

MJ 02- SOUND SYSTEM BOSE ANALOG

M685 REAR SEATS, DEVIDED
M686 RADIO "PORSCHE CDR-21"
M688 RADIO "PORSCHE CDR-210"
M689 PREPERATION OF CD-CHANGER
M690 CD-PLAYER "CD-10" RADIO + ARI
M692 CD-CHANGER "PORSCHE "
M695 CD-RADIO "PORSCHE CDR 22"
M696 CD-RADIO "PORSCHE CDR 220"
M698 CD-RADIO "PORSCHE CDR 32"
M699 MD-RADIO "PORSCHE MDR 32"
M703 TRUNK ENTRAPMENT
M936 SEAT COVERS REAR, LEATHER
M937 SEAT COVERS REAR, LEATHERETTE
M939 SEAT COVERS REAR, DRAPED LEATHER
M946 SEAT COVERS FRONT, LEATHER/LEATHER/LEATHERETTE
M971 NATURAL LEATHER, TORO-EMBOSSSED
M981 LEATHER EQUIPMENT WITHOUT SEAT COVERS
M982 SEAT COVERS FRONT, DRAPED LEATHER/LEATHER/LEATHER
M983 SEAT COVERS FRONT, LEATHER
M990 SEAT COVERS FRONT, CLOTH/CLOTH/LEATHERETTE
M999 PASSENGER COMPARTMENT MONITORING SENSOR FOR LEATHER COLOUR OF CHOICE
AAA ! MEHRAUSSTATTUNG X NR. !
IXAA AEROKIT CUP
IXAB SPYDER REAR IN BODY COLOUR
IXAF TURBO AEROKIT
IXAG CARRERA REAR SPOILER
IXCZ SWITCH TRAVEL SHORTENING
IXD9 WHEEL PAINTED IN BODY COLOUR
IXEA PASSIVHOERER IN LEDER
IXE8 GEAR LEVER IN DARK BURR WALNUT WITH ALUMINIUM INLAY, LEATHER
IXE9 HANDBRAKE LEVER IN DARK BURR WALNUT WITH ALUMINIUM INLAY, LEATHER
IXJB REAR SECTION OF CENTRE CONSOLE IN ARCTIC SILVER
IXJ4 IGNITION LOCK SURROUND IN LEATHER
IXKB SIDE AIR VENT IN LIGHT BURR WALNUT/MAPLE
IXKC SIDE AIR VENT IN DARK BURR WALNUT/MAPLE
IXKD SIDE AIR VENT IN CARBON
IXKE SIDE AIR VENT IN ARCTIC SILVER
IXKG DEFROSTER TRIM IN LIGHT BURR WALNUT/MAPLE, LEATHER
IXKH DEFROSTER TRIM IN DARK BURR WALNUT/MAPLE, LEATHER
IXKJ DEFROSTER TRIM IN CARBON/LEATHER
IXKL SPEAKER COVERS IN LEATHER
IXKM SPEAKER COVERS IN ROOT GRAIN MAPLE, LIGHT
IXKN SPEAKER COVERS IN ROOT GRAIN MAPLE, DARK
IXKP SPEAKER COVERS IN CARBON
IXKR CENTER NOZZLE BRACKET IN ROOT GRAIN MAPLE, LIGHT
IXKS CENTER NOZZLE BRACKET IN ROOT GRAIN MAPLE, DARK
IXKW CENTER NOZZLE BRACKET ARCTIC SILVER
IXKX INSTRUMENT SURROUND IN ARCTIC SILVER
IXLA BOXSTER TAILPIPE

IXLF SPORTS EXHAUST SYSTEM
IXMA ROOFLINING IN LEATHER
IXME REAR SECTION OF CENTRE CONSOLE PAINTED
IXMF FRONT SECTION OF CENTRE CONSOLE INCL. 2 TRAYS IN LEATHER
IXMJ REAR SECTION OF CENTRE CONSOLE IN CARBON
IXMK ROLL-OVER BAR IN EXTERIOR COLOUR
IXML REAR SECTION OF CENTRE CONSOLE IN LIGHT BURR WALNUT/MAPLE
IXMP LEATHER SUN VISOR, 2 LIT MAKE-UP MIRRORS
IXMP ILLUMINATED
IXMR SUN VISOR IN LEATHER, 2 ILLUMINATED VANITY MIRRORS, MAP LIGHT
IXMY ROLL-OVER BAR IN ARCTIC SILVER
IXMZ REAR SECTION OF CENTRE CONSOLE IN LEATHER
IXNB REAR SECTION OF CENTRE CONSOLE IN DARK BURR WALNUT/MAPLE
IXNG INSTRUMENT SURROUND IN LEATHER
IXNH SIDE VENT. LEFT/RIGHT DEFROSTER TRIM IN LEATHER
IXNN CENTRAL AIR VENT MOUNTING IN LEATHER
IXNR CENTRAL AIR VENT MOUNTING IN CARBON
IXNS STEERING COLUMN CASING, 4-PART IN LEATHER
IXNU TRIM STRIP IN LEATHER
IXNV TRIM STRIP IN LIGHT BURR WALNUT/MAPLE
IXNW TRIM STRIP IN DARK BURR WALNUT/MAPLE
IXNX TRIM STRIP IN CARBON
IXNY TRIM STRIP IN ARCTIC SILVER
IXN3 DASHBOARD SIDE AIR VENT IN LEATHER
IXPA 3-SPOKE SPORTS STEERING WHEEL IN LEATHER INTERIOR COLOUR
IXPB 3-SPOKE SPORTS STEERING WHEEL IN LIGHT BURR WALNUT/MAPLE, LEATHER
IXPC 3-SPOKE SPORTS STEERING WHEEL IN DARK BURR WALNUT/MAPLE, LEATHER
IXPD 3-SPOKE SPORTS STEERING WHEEL IN CARBON/LEATHER
IXPG 3-SPOKE SPORTS STEERING WHEEL IN ALU-LOOK/LEATHER
IXPP LOUDSPEAKER FINISHER ON SWITCH PANEL IN INTERIOR COLOUR
IXPW INSTRUMENT SURROUND IN LIGHT BURR WALNUT/MAPLE
IXPX INSTRUMENT SURROUND IN DARK BURR WALNUT/MAPLE
IXPY INSTRUMENT SURROUND IN CARBON
IXRA 17" SPORTCLASSIC WHEEL
IXRB 18" SPORTCLASSIC 2 WHEEL
IXRC 18" SPORTTECHNO WHEEL
IXRL 18" SPORTDESIGN WHEEL
IXRN 2 x 17 MM WHEEL SPACERS ON REAR AXLE
IXRP 4 x 5 MM WHEEL SPACERS ON FRONT/REAR AXLES
IXSA SPORTS SEAT BACKREST PAINTED
IXSB SPORTS SEAT BACKREST IN LEATHER
IXSC PORSCHE CREST EMBOSSED IN HEADREST
IXSD SEAT CONTROL TRIM IN LEATHER
IXSE BUCKET SEAT LEFT
IXSF BUCKET SEAT RIGHT
IXSG RACING BUCKET SEAT LEFT
IXSJ SIX-POINT SEAT BELTS
IXSL SIX-POINT SAFETY BAR
IXSM RACING SAFETY CAGE
IXSN OMISSION OF REAR SEAT ASSEMBLY

IXSR BUCKET SEAT RIGHT, BACKREST CARBON
IXSS BUCKET SEAT LEFT, BACKREST CARBON
IXSU LOWERED FRONT SEAT
IXSW SEAT BELTS IN MARITIME BLUE
IXSX SEAT BELTS IN GUARDS RED
IXSY SEAT BELTS IN SPEED YELLOW
IXTC DOOR FEATURES IN LEATHER
IXTE DOOR FEATURES IN CARBON/LEATHER
IXTF DOOR FEATURES IN ARCTIC SILVER/LEATHER
IXTG INNER SILL FINISHER IN LEATHER
IXTJ DOOR FEATURES IN LIGHT BURR WALNUT/MAPLE
IXTK DOOR FEATURES IN DARK BURR WALNUT/MAPLE
IXTL DOOR FEATURES IN CARBON
IXV1 DEFROSTER TRIM IN LEATHER
IXX1 FLOOR MATS, LOGO, LEATHER BORDER
IXX2 FOOTWELL LIGHTING
IXY5 TIPTRONIC GEAR SELECTOR GATE IN LEATHER
IXZD INTERIOR LIGHT COVER IN LEATHER
IX45 INSTRUMENT DIALS IN INTERIOR COLOUR
IX46 TIPTRONIC SELECTOR LEVER ALU/LEDER
IX47 GEAR SHIFT LEVER CARBON/ALU/LEATHER
IX48 TIPTRONIC SELECTOR LEVER CARBON/ALU
IX50 ENGINE WITH INCREASED EFFICIENCY 331/340 KW
IX54 STAINLESS STEEL TAIL PIPE
IX58 HAND BRAKE LEVER CARBON/ALU/LEATHER
IX65 TIPTRONIC GEAR SELECTOR IN LIGHT BURR WALNUT WITH ALUMINIUM INLAY
IX66 TIPTRONIC GEAR SELECTOR IN DARK BURR WALNUT WITH ALUMINIUM INLAY
IX69 DOOR ENTRY GUARDS IN CARBON WITH LOGO
IX70 DOOR ENTRY GUARDS IN STAINLESS STEEL WITH LOGO
IX71 ALUMINIUM-COLOURED INSTRUMENT DIALS
IX72 GEAR LEVER IN LIGHT BURR WALNUT WITH ALUMINIUM INLAY, LEATHER
IX73 TURBO SPORTS CHASSIS
IX74 EXCLUSIVE SPORTS CHASSIS
IX75 LOCKING DIFFERENTIAL (EXCLUSIVE)
IX76 SIDE SKIRTS LEFT/RIGHT
IX91 HAND BRAKE LEVER IN LIGHT BURR WALNUT WITH ALUMINIUM INLAY, LEATHER
IX97 GEAR SHIFT LEVER ALU/LEATHER
IX98 HAND BRAKE LEVER ALU/LEATHER
IX99 NATURAL LEATHER

**PET
V-PAGES**

Model	Year	MG	SG	Illustration	VIN No.	Update		
996t	05	9	11	911-15		194	12:37	25.11.2005

TR203

THIS PARTS CATALOGUE CONTAINS ALL ORDER INFORMATION OF
TYPE 996 TURBO FROM MODEL YEAR 2001

IT IS AVAILABLE IN TWO EDITIONS IN THE FOLLOWING LANGUAGES:

EDITION

USA, CANADA - *

EDITION

ALL OTHER COUNTRIES - GERMAN

* - ENGLISH

- FRENCH

- ITALIAN

- SPANISH

UPDATING IS BEING PERFORMED BY CHANGING OF UPDATE.

THE EDITION CAN BE RECOGNIZED BY THE CURRENT NO.
IN THE BOTTOM LINE OF SUBJECT UPDATE.

THE PREVIOUS UPDATE SHOULD NO LONGER BE USED.

ALL ILLUSTRATIONS ARE SUBJECT TO CHANGE WITHOUT OBLIGATION.

THE SEATS FOR EACH MODEL ARE AVAILABLE IN THE PARTS CATALOGUE
"SEATS (STZ 19)".

PORSCHE

PET
V-PAGES

PORSCHE

Model	Year	MG	SG	Illustration	VIN No.	Update	12:38	25.11.2005
996t	05	9	11	911-15		194		

TR203

EXPLANATION OF THE ABRIDGED VERSION OF THE VEHICLE IDENT. NUMBERS (VIN)
 =====
 USED IN THE CATALOGUE
 =====

DIGIT: 1 2 3 4 5 6 7 8 9 10 11 12 13 14 15 16 17

EXAMPLE: W P 0 Z Z Z 9 9 Z W S 6 0 0 1 2 5
 === = = = =====

 ! ! ! !
 VEHICLE TYPE 1ST+2ND DIGIT-----+ ! ! ! !
 MODEL YEAR-----+ ! ! ! !
 MANUFACTURING LOCATION-----+ ! ! !
 VEHICLE TYPE 3RD DIGIT-----+ ! !
 SERIAL NUMBER-----+ ! !

PET V-PAGES

Model	Year	MG	SG	Illustration	VIN No.	Update	12:38	25.11.2005
996t	05	9	11	911-15		194		

FR203

VEHICLE TYPE	MY	VIN	ENGINE TYPE	
996 TURBO	01 1	991S6 80061>85000	M96.70	309 KW
996 TURBO (USA) (CDN) (MEX) (BR)	01 1	991S6 85061>89000	M96.70	309 KW
996 TURBO GT2	01 1	991S6 95061>95900	M96.70S	340 KW
996 TURBO GT2	02 2	992S6 95061>95900	M96.70S	340 KW
996 TURBO GT2 (USA, CDN, MEX, BR)	02 2	992S6 96061>96900	M96.70S	340 KW
996 TURBO	02 2	992S6 80061>85000	M96.70	309 KW
996 TURBO (USA) (CDN) (MEX) (BR)	02 2	992S6 85061>89000	M96.70	309 KW
996 TURBO GT2	03 3	993S6 95061>95900	M96.70S	340 KW
996 TURBO GT2 (USA, CDN, MEX, BR)	03 3	993S6 96061>96900	M96.70S	340 KW
996 TURBO	03 3	993S6 80061>85000	M96.70	309 KW
996 TURBO (USA) (CDN) (MEX) (BR)	03 3	993S6 85061>89000	M96.70	309 KW
996 TURBO GT2	04 4	994S6 95061>95900	M96.70S	340 KW
996 TURBO GT2 (USA, CDN, MEX, BR)	04 4	994S6 96061>96900	M96.70S	340 KW
996 TURBO	04 4	994S6 80061>85000	M96.70	309 KW
996 TURBO (USA) (CDN) (MEX) (BR)	04 4	994S6 85061>89000	M96.70	309 KW
996 TURBO CABRIO	04 4	994S6 70061>74000	M96.70	309 KW
996 TURBO CAB. (USA, CDN, MEX, BR)	04 4	994S6 75061>79000	M96.70	309 KW
996 TURBO GT2	05 5	995S6 95061>95900	M96.70SL	360 KW
996 TURBO GT2 (USA, CDN, MEX, BR)	05 5	995S6 96061>96900	M96.70SL	360 KW
996 TURBO	05 5	995S6 80061>85000	M96.70	309 KW
996 TURBO (USA) (CDN) (MEX) (BR)	05 5	995S6 85061>89000	M96.70	309 KW
996 TURBO CABRIO	05 5	995S6 70061>74000	M96.70	309 KW
996 TURBO CAB. (USA, CDN, MEX, BR)	05 5	994S6 75061>79000	M96.70	309 KW

PET V-PAGES

Model	Year	MG	SG	Illustration	VIN No.	Update	12:38	25.11.2005
996t	05	9	11	911-15		194		

TR203

EXPLANATION OF THE MOTOR-NUMBERS USED IN THE CATALOGUE
 =====

DIGIT:		1	2	3		4	5	6	7	8
EXAMPLE:		6	6	W		0	0	1	3	6
		=	=	=		=	=	=	=	=
		!	!	!		!				!
ENGINE TYPE (6 = 6-CYL.-ENGINE)	-----+	!	!	!		!				!
		!	!			!				!
ENGINE VERSION	-----+	!				!				!
		!				!				!
MODEL YEAR	-----+					!				!
						!				!
SERIAL NUMBER	-----+					!				!

PET V-PAGES

Model	Year	MG	SG	Illustration	VIN No.	Update	12:38	25.11.2005
996t	05	9	11	911-15		194		

MR203

VEHICLE TYPE	ENGINE TYPE	MY	ENGINE NO.	TECHNICAL DATA
911 TURBO	M96.70	01 1	641 00501>60000	6ZYL/3,6L /309 KW
911 TURBO GT2	M96.70S	01 1	641 00501>60000	6ZYL/3,6L /340 KW
911 TURBO	M96.70	02 2	642 00501>60000	6ZYL/3,6L /309 KW
911 TURBO GT2	M96.70S	02 2	642 00501>60000	6ZYL/3,6L /340 KW
911 TURBO	M96.70	03 3	643 00501>60000	6ZYL/3,6L /309 KW
911 TURBO GT2	M96.70S	03 3	643 20501>60000	6ZYL/3,6L /340 KW
911 TURBO	M96.70	04 4	644 00501>60000	6ZYL/3,6L /309 KW
911 TURBO GT2	M96.70S	04 4	644 20501>60000	6ZYL/3,6L /340 KW
911 TURBO	M96.70	05 5	645 00501>60000	6ZYL/3,6L /309 KW
911 TURBO GT2	M96.70S	05 5	645 20501>60000	6ZYL/3,6L /360 KW

PET V-PAGES

Model	Year	MG	SG	Illustration	VIN No.	Update		
996t	05	9	11	911-15		194	12:38	25.11.2005

TR203

EXPLANATION OF THE TRANSMISSION-NUMBERS USED IN THE CATALOGUE

```

=====
DIGIT:                1  2  3  4  5      6  7  8  9 10 11
EXAMPLE:              G  9  6  0  0      1  0  0  5  4  3
                      =  =====      =  =====
                      !                !                !
                      !                !                !
TRANSMISSION TYPE-----+                !                !
                      !                !                !
TRANSMISSION VERSION-----+                !                !
                      !                !                !
INDEX OF VARIANTS-----+                !                !
                      !                !                !
SERIAL NUMBER-----+                !                !
    
```

PET V-PAGES

Model	Year	MG	SG	Illustration	VIN No.	Update	12:38	25.11.2005
996t	05	9	11	911-15		194		

GR203

VEHICLE TYPE	TYPE	MY	TRANSMISSION NO.	TECHNICAL DATA
911 TURBO	G96.50	01 1	G9650 1 002001>999999	6-GANG
911 TURBO TIPTRONIC	A96.50	01 1	A9650 1 002001>999999	5-GANG
911 TURBO GT2	G96.88	01 1	G9688 2 002001>999999	6-GANG
911 TURBO	G96.50	02 2	G9650 1 002001>999999	6-GANG
911 TURBO TIPTRONIC	A96.50	02 2	A9650 1 002001>999999	5-GANG
911 TURBO GT2	G96.88	02 2	G9688 2 002001>999999	6-GANG
911 TURBO	G96.50	03 3	G9650 1 002001>999999	6-GANG
911 TURBO TIPTRONIC	A96.50	03 3	A9650 1 002001>999999	5-GANG
911 TURBO GT2	G96.88	03 3	G9688 2 002001>999999	6-GANG
911 TURBO	G96.50	04 4	G9650 1 002001>999999	6-GANG
911 TURBO TIPTRONIC	A96.50	04 4	A9650 1 002001>999999	5-GANG
911 TURBO GT2	G96.88	04 4	G9688 2 002001>999999	6-GANG
911 TURBO	G96.50	05 5	G9650 1 002001>999999	6-GANG
911 TURBO TIPTRONIC	A96.50	05 5	A9650 1 002001>999999	5-GANG
911 TURBO GT2	G96.88	05 5	G9688 2 002001>999999	6-GANG

PET V-PAGES

Model	Year	MG	SG	Illustration	VIN No.	Update		
996t	05	9	11	911-15		194	12:38	25.11.2005

TR203

LEGENDS AND NOTICES

=====

IN COLUMN -S- STATUS

- N NEW ADDITION
- P PART ALREADY IN PROGRAMME, BUT NEW AT THIS APPLICATION
- W DELETED AT THIS APPLICATION, BUT CONTINUED TO BE CARRIED
- K THIS PART MUST BE RE-ORDERED IF IT IS UNAVAILABLE WHEN THE ORDER IS FIRST PLACED. ORDER BACKLOGS ARE NOT PROCESSED.
- A STOCK TO BE USED UP
- U DELETED WITHOUT REPLACEMENT
- * PART ALSO OR ONLY AVAILABLE IN REPAIR KIT
- > ALSO AVAILABLE IN EXCHANGE

IN COLUMN - ILL. -

- 1 IDENTIFICATION NO. IN ILLUSTRATION
- (1) PART ONLY SIMILAR AS ILLUSTRATED
- PART IS NOT ILLUSTRATED

FIG.-NUMBERS FOR WHICH THERE IS SHOWN NO TEXT ARE NOT VALID FOR THIS EDITION OF CATALOGUE

IN COLUMN -PART NUMBER/CODE-

000 000 000 00 PART NUMBER EQUALS ORDERING NO., IF A CODE IS SHOWN, IT WILL HAVE TO BE PART OF ORDERING NUMBER

01C COLOUR CODE

IN COLUMN -TEXT

INSTALLATION WITH ENGINE OR CHASSIS NUMBER-RANGE

EXAMPLE:

M 66W 00389>> FROM ENGINE NO.
 F >>99WS6 00889 UP TO CHASSIS NO.

PET V-PAGES

Model	Year	MG	SG	Illustration	VIN No.	Update	12:38	25.11.2005
996t	05	9	11	911-15		194		

TR203

IN COLUMN - A -

IDENTIFICATION LETTER FOR PERIOD OF INSTALLATION
THAT IS REPEATED SEVERAL TIMES IN THE CATALOG GROUP.

EXPLANATION PLEASE FIND IN TEXT COLUMN OF THE CATALOG GROUP

IN COLUMN - QU - = NO. OF PIECES

- 1 NUMBER PER APPLICATION
- X NUMBER AS NEEDED
- * AVAILABLE ONLY IN RUNNING LENGTHS 1 = 1 METRE

IN COLUMN - MODEL/SYMBOL -

- M650 OPTIONAL EQUIPMENT - SEE M-NO. LIST
- 98 LIMITATION OF MODEL YEAR FOR INSTANCE: VALID UP TO
END OF MODEL YEAR 1997
- /LL LHD
- /RL RHD
- /V FRONT I
I
- /H REAR I
I----> APPLIES TO
DIRECTION OF TRAVEL
- /L LEFT I
I
- /R RIGHT I
-----+
- WW THE PART CAN BE USED INSTEAD OF THE
PRECEDING ONE.

Model	Year	MG	SG	Illustration	VIN No.	Update	12:38	25.11.2005
996t	05	9	11	911-15		194		

TR203

EQUIPMENT BY COUNTRY REGULATIONS
=====

(A) AUSTRIA
 (AG) ARABIAN GULF STATES
 (AUS) AUSTRALIA
 (B) BELGIUM
 (BR) BRAZIL
 (CDN) CANADA
 (CH) SWITZERLAND
 (D) FEDERAL REPUBLIC OF GERMANY
 (DK) DENMARK
 (E) SPAIN
 (F) FRANCE
 (GB) GREAT BRITAIN
 (GR) GREECE
 (HK) HONGKONG
 (I) ITALY
 (J) JAPAN
 (L) LUXEMBURG
 (N) NORWAY
 (NL) NETHERLANDS
 (NZ) NEW ZEALAND
 (P) PORTUGAL
 (RC) TAIWAN
 (S) SWEDEN
 (SA) SAUDI ARABIA
 (SF) FINLAND
 (USA) UNITED STATES OF AMERICA
 (ZA) SOUTH AFRICA